

★

RESTRICTED
FOR OFFICIAL USE ONLY

AN 01-65BC-4

DIST: 4, 5, 7
FILE: BEHS

PARTS CATALOG
FOR
MODEL
RP-47B, RP-47C and R-47D
AIRPLANES

NOTE: This Catalog replaces T. O. No. 01-65B-4 dated September 15, 1942.

NOTICE: This document contains information affecting the National Defense of the United States within the meaning of the Espionage Act, 50 U. S. C., 31 and 32, as amended. Its transmission or the revelation of its contents in any manner to an unauthorized person is prohibited by law.

RESTRICTED

AN 01-65BC-4

Published under joint authority of the Commanding General, Army Air Forces, the Chief of the Bureau of Aeronautics, and the Air Council of the United Kingdom.

THIS PUBLICATION MAY BE USED BY PERSONNEL RENDERING SERVICE TO THE UNITED STATES OR ITS ALLIES

Paragraph 5.d. of Army Regulation 380-5 relative to the handling of "restricted" printed matter is quoted below.

"d. Dissemination of restricted matter.—The information contained in restricted documents and the essential characteristics of restricted material may be given to any person known to be in the service of the United States and to persons of undoubted loyalty and discretion who are cooperating

in Government work, but will not be communicated to the public or to the press except by authorized military public relations agencies."

This permits the issue of "restricted" publications to civilian contract and other accredited schools engaged in training personnel for Government work, to civilian concerns contracting for overhaul and repair of aircraft or aircraft accessories, and to similar commercial organizations.

LIST OF REVISED PAGES ISSUED

NOTE: A heavy black vertical line, to the left of the text on revised pages, indicates the extent of the revision. This line is omitted where more than 50 percent of the page is revised.

This issue contains no revisions.

ADDITIONAL COPIES of this publication may be secured on Requisition, AAF Form 102, as prescribed in AAF Regulations 15-102. Submit requisitions to: Commanding General, Air Service Command, Patterson Field, Fairfield, Ohio. Also, see T. O. No. 00-25-3 for details on distribution of Technical Orders. (Requests from Naval activities shall be submitted to: Chief of the Bureau of Aeronautics, Navy Department, Washington, D. C.)

RESTRICTED

TABLE OF CONTENTS

Section	Page
I Introduction	1 - 4
Figure 1 - Main Assembly Locations	4
II Group Assembly Parts List	5 - 435
General Assembly	
Figure 2 - General Assembly	6
Fuselage Assembly	10 - 83
Figure 3 - Fuselage Assembly Complete	10
Figure 4 - Fuselage Assembly	12
Figure 5 - Cover Assembly - Top and Bottom - (Fuselage)	16
Figure 6 - Frame Assembly - Top - (Fuselage)	20
Figure 7 - Access Doors	26
Figure 8 - Hand Grips	28
Figure 9 - Oxygen Cylinder Support	30
Figure 10 - Elevator Lever Support	32
Figure 11 - Main and Auxiliary Fuel Tank Panels	34
Figure 12 - Supercharger Oil Tank Support	38
Figure 13 - Turtle Deck	40
Figure 14 - Tail Wheel Pulley Bracket	42
Figure 15 - Bottom Frame Assembly - (Fuselage)	44
Figure 16 - Crash Skid	48
Figure 17 - Lower Tie	50
Figure 18 - Turbo Support Ring	52
Figure 19 - Pilot's Floor and Bottom Panels	54
Figure 20 - Aileron Control Lever Bracket	56
Figure 21 - Fuselage Assembly - (Tail)	58
Figure 22 - Frame Assembly - (Tail)	60
Figure 23 - Tail Wheel Fitting Brace	64
Figure 24 - Bottom Cowl and Exhaust Shroud Assembly	66
Figure 25 - Details Bottom Cowl and Exhaust Shroud	68
Figure 26 - Shroud Assembly	70
Figure 27 - Shroud Assembly	72
Figure 28 - Shroud Assembly	74
Figure 29 - Cockpit Enclosure	76
Figure 30 - Canopy	78
Figure 31 - Windshield Assembly	80
Figure 32 - Windshield Assembly - Clearview Panel	82
Wing Assembly	84 - 113
Figure 33 - Installation - Wing	84
Figure 33A - Wing Panel Complete and Stripped	85A
Figure 34 - Wing Panel Assembly	86
Figure 35 - Wing - Lower Cover Assembly	88
Figure 36 - Wing - Upper Cover Assembly	90
Figure 37 - Wing - Frame Assembly	92
Figure 38 - Top and Lower Cover Assemblies	96
Figure 39 - Wing - Frame Assembly - Aft	98
Figure 40 - Wing - Inboard - Trailing Edge Assembly	100
Figure 41 - Wing - Outboard - Trailing Edge Assembly	102
Figure 42 - Spar #2 Assembly	104
Figure 43 - Spar #3 Assembly - (Inboard)	108
Figure 44 - Flap Linkage	110
Figure 45 - Spar #3 Assembly - (Outboard)	112
Figure 46 - Leading Edge Assembly	114

TABLE OF CONTENTS (Cont'd.)

Section	Page
Figure 47 - Door Lugs	118
Figure 48 - Spar #1 Assembly	120
Figure 49 - Auxiliary Spar Assembly	124
Figure 50 - Front Gun Mounts	126
Figure 51 - Ammunition Bay Cover Assembly	128
Figure 52 - Gun Compartment Cover	130
Figure 53 - Wing Tip Assembly	132
Figure 54 - Flap	134
Figure 55 - Flap Doors	136
Figure 56 - Aileron	138
Figure 57 - Aileron Trim Push Rod	140
Figure 58 - Installation - Wing Fillets	142
Surface Controls	144 - 173
Figure 59 - Surface Control Lock	144
Figure 60 - Aileron Control	146
Figure 61 - Aileron Rod Assembly	148
Figure 62 - Aileron Control Link Assembly	150
Figure 63 - Elevator Control	152
Figure 64 - Stick Control	156
Figure 65 - Stick Assembly Control	158
Figure 66 - Aileron Trim Control	160
Figure 67 - Rudder Elevator Trim Control	162
Figure 68 - Trim Control Unit Assembly	164
Figure 69 - Trim Control Unit	166
Figure 70 - Rudder Control	168
Figure 71 - Rudder Control - (Fuselage)	170
Figure 72 - Brake and Pedal	172
Hydraulic System	174 - 203
Figure 73 - Hydraulic System - (Fuselage - Aft)	174
Figure 74 - Hydraulic System - (Wing)	176
Figure 75 - Landing Gear Door - Hydraulic Cylinder	180
Figure 76 - Landing Gear - Retracting Cylinder	182
Figure 77 - Wing Flap Operating Cylinder	184
Figure 78 - Downlock Cylinder	186
Figure 79 - Flow Equalizer Flap Control Cylinder	188
Figure 80 - Hydraulic Hand Pump Assembly	190
Figure 81 - Hydraulic System - (Engine Compartment)	192
Figure 82 - Hydraulic System - Fuselage	194
Figure 83 - Hydraulic Units	198
Figure 84 - Brake Control	200
Figure 85 - Parking Brake Control	202
Main Landing Gear	204 - 217
Figure 86 - Landing Gear	204
Figure 86A - Landing Gear - Complete	205A
Figure 87 - Bearing Box Assembly	206
Figure 88 - Aerol Shock Strut	208
Figure 89 - Shrinkage Strut	212
Figure 90 - Landing Gear Downlock Operating Mechanism	214
Figure 91 - Landing Gear Uplock	216
Tail Wheel	218 - 231
Figure 92 - Tail Wheel	218
Figure 93 - Tail Wheel Uplock Mechanism	220
Figure 94 - Tail Wheel Doors	222
Figure 95 - Tail Wheel Yoke	224
Figure 96 - Tail Wheel Yoke Assembly	226
Figure 97 - Tail Wheel Post Assembly	228
Figure 98 - Tail Wheel Swivel and Uplock Control Cables	230

Section	TABLE OF CONTENTS (Cont'd.)	Page
Landing Gear Fairing		232 - 241
Figure 99 - Landing Gear Fairing		232
Figure 100 - Landing Gear Door Assembly		234
Figure 101 - Shock Strut Cylinder Fairing Assembly		236
Figure 102 - Landing Gear Strut Fairing Clamp		238
Figure 103 - Landing Gear Push Rod Assembly		240
Empennage		242 - 263
Figure 104 - Empennage		242
Figure 105 - Stabilizer		244
Figure 106 - Elevator		248
Figure 107 - Rudder Assembly		252
Figure 108 - Rudder Can Assembly		256
Figure 109 - Fin		258
Figure 110 - Empennage Fillets		262
Power Plant		264 - 341
Figure 111 - Installation-Cooling Duct and Engine Accessories		264
Figure 112 - Installation-Crankcase Vent and Supercharger Drain		266
Figure 113 - Installation - Propane System		268
Figure 114 - Installation - Engine and Engine Mount		270
Figure 114A - Engine Stand Assembly - Complete		271A
Figure 115 - Preheater Assembly		272
Figure 116 - Shroud Assembly - Forward		274
Figure 117 - Baffle Assembly		276
Figure 118 - Engine Cowl		278
Figure 119 - Engine Cowl Flap Mechanism		280
Figure 120 - Engine Controls - (Engine Compartment)		282
Figure 121 - Engine Controls - (Fuselage)		284
Figure 122 - Engine Controls - (Fuselage)		286
Figure 123 - Fuel System		288
Figure 124 - Sump and Strainer Drain Cocks		294
Figure 125 - Main Fuel Tank		296
Figure 126 - Auxiliary Fuel Tank		298
Figure 127 - Fuel Selector Valve Control		300
Figure 128 - Fuel Strainer and Selector Cock		302
Figure 129 - External Auxiliary Fuel Tank System		304
Figure 130 - Tank Release Control		306
Figure 131 - Oil System		308
Figure 132 - Duct and Operating Mechanism		312
Figure 133 - Oil Cooler Door Operating Mechanism		314
Figure 134 - Exhaust Manifold Assembly		316
Figure 135 - Turbine Exhaust Hood and Shroud		320
Figure 136 - Exhaust Assembly - (Fuselage)		322
Figure 137 - Manifold Pressure to Regulator		324
Figure 138 - Supercharging and Induction System - (Fuselage)		326
Figure 139 - Supercharging and Induction System - (Fuselage)		328
Figure 140 - Supercharging and Induction System		330
Figure 141 - Supercharging and Induction System - (Engine Compartment)		332
Figure 142 - Supercharger and Supercharger Oil System		334
Figure 143 - Intercooler Exit Door Control		336
Figure 144 - Intercooler Door Control Jack Assembly		338
Figure 144A - Shaft Assembly - Intercooler Door Control		339A
Figure 145 - Tachometer Generator		340
Armament		342 - 369
Figure 146 - Armament		342
Figure 147 - Gun Sight		344
Figure 148 - Forward - Rear and Auxiliary Armor		346
Figure 149 - Bullet Proof Glass		348
Figure 150 - Fixed Guns		350
Figure 151 - Fixed Guns Details		352
Figure 152 - Gun Bay Heating Provision		354
Figure 153 - Gun Bay Heating Provision Controls		356
Figure 154 - Wing Gun Access Equipment		358

TABLE OF CONTENTS (Cont'd.)

Section	Page
Figure 155 - Wing Gun Rear Mounts	360
Figure 156 - Gun Rear Mounts and Trunnion Posts	362
Figure 157 - Latch Assembly	364
Figure 158 - Pyrotechnics	366
Figure 159 - Wing Gun Camera	368
Instruments	370 - 377
Figure 160 - Instruments - (Engine and Fuselage)	370
Figure 161 - Instrument Panel	374
Electrical System	378 - 403
Figure 162 - Electrical System - (Wing)	378
Figure 163 - Electrical System - (Engine Compartment)	382
Figure 163A- Main Switch and Fuse Box - Complete	385A
Figure 164 - Main Switch and Fuse Box	386
Figure 165 - Main Switch and Fuse Box	390
Figure 166 - Main Switch and Fuse Box Panel	392
Figure 166A- Firewall Junction Box and Voltage Regulator	393A
Figure 167 - Battery and Drain System	394
Figure 167A- Battery Junction Box Complete	395A
Figure 168 - Electrical System - (Fuselage)	396
Radio	404 - 407
Figure 169 - Radio Fixtures	404
Figure 170 - Dipole Supports	406
Equipment	408 - 435
Figure 171 - Windshield Defroster and Cockpit Heater	408
Figure 172 - Cover Assembly Engine and Hub	412
Figure 173 - Pilot's Seat	414
Figure 174 - Data Case	416
Figure 175 - Anti-Glare Shield	418
Figure 176 - Pilot's Relief Tube	420
Figure 177 - Handling Equipment	422
Figure 178 - Blind Flying Hood	424
Figure 179 - Head Rest	426
Figure 180 - Cockpit Vent	428
Figure 181 - Anti-Icing System	430
Figure 182 - Windshield Defroster	432
Figure 183 - Oxygen Equipment	434
III Numerical Parts List	437 - 458
IV Standard Parts List	459 - 473
V Service Tools	475 - 477

RESTRICTED

INTRODUCTION

SECTION I

RESTRICTED
AN 01-65bc-4

SECTION I - INTRODUCTION

This is the Parts Catalog for the RP-47B, RP-47C, and P-47D Airplanes. It is divided into five sections:

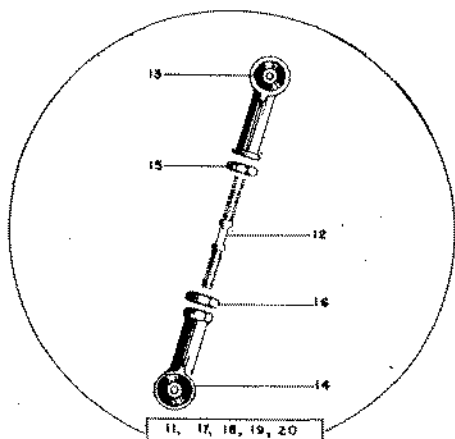
- Section I - Introduction
- Section II - Group Assembly Parts Lists
- Section III - Numerical Parts List
- Section IV - Standard Parts List
- Section V - Service Tools

Section II is a break-down of the parts of the airplane. The parts which make up each assembly are listed in their proper break-down order. Each major installation appears as a column 1 item; its sub-assemblies and sub-subassemblies and detailed parts are in columns 2, 3, 4, 5, 6, etc.

The columns titled "Figure No." and "Index No." are interpreted as follows: The first number (in column titled "Figure No.") refers to the illustration or figure number on which the part is shown. The second column (Index No.) indicates the number of the item in the figure.

Insofar as possible, the illustrations indicate sub-assemblies as follows: Index numbers suffixed by a letter indicate that the suffixed index number is a sub-assembly of the plain number. For example, index numbers 24A, 24B, 24C or 2A, 2B, 2C of an illustration indicate that those parts are sub-assemblies of index numbers 24 and 2 respectively.

In some cases the sub-assemblies have been indicated as shown below.



In this case the index number (or numbers) appearing within the border of the circle indicates that it is an assembly of the parts indexed on the border; in the illustration, parts indexed 12, 13, 14, 15, 16, are sub-assemblies of parts indexed 11, 17, 18, 19, 20.

One of these two methods has been followed wherever possible. In some instances, rigid adherence to this policy would have confused the break-down. In such instances, the sub-assemblies have been numbered consecutively and the break-down may be determined from the written copy only.

Section III lists all parts in numerical order. The quantity per airplane is indicated and the assembly list pages on which those part numbers appear are also given. The numerical sequence used in this section is as follows:

1. Part numbers that are prefixed by a letter are listed in alphabetical order preceding all others.
2. Following these, the part numbers are arranged in numerical order with the first factor of the part number determining its position. The first factor consists of those numbers which precede either the letter or the first dash in a part number. For example, the following part numbers are listed in proper sequence with the determining factors underlined.

1-1001-506-C-10
2-10
89F11000
3. A secondary numerical break-down of those part numbers having the same determining factor is made in accordance with the numbers following either the first dash or letter in the group. For example:

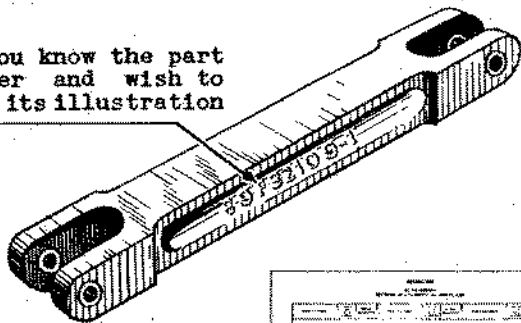
89F11000
89F11009
89F21010

Section IV lists all Contractor, AN and AC standard parts in numerical order. This list also includes the number per assembly and the attaching quantity.

Section V lists and illustrates the special service tools.

This handbook may be used as follows:

If you know the part number and wish to find its illustration



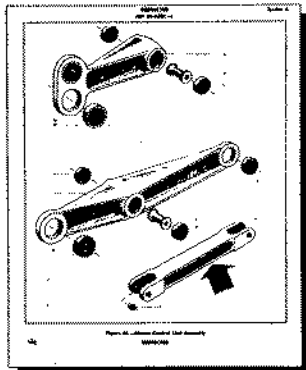
Find in Section III, the "Numerical Parts List", the part number and the assembly page number on which it appears.

Part Number	Page Number
89F32109-1	147 1

Page Number	Part Number
62 6	89F32109-1

Turn to the page number indicated and find the part number in Section II, "Group Assembly Parts List."

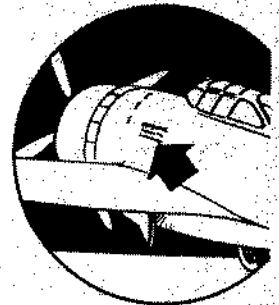
Read the figure number and index number for that part and then turn to the proper figure and find the desired index number on the illustration.



If you do not know the part number, thumb through the illustrations. This will be found convenient, since all illustration pages are left hand pages.

When the part is located in the illustration, determine the index number and figure number. Then find the desired information in the "Group Assembly Parts List" which follows each illustration.

Note Care must be exercised to assure that the part number is applicable to the particular block of airplanes in which you are interested. If no block designation appears after the part name in the "Group Assembly Parts List", that part may be used on all models. The block designation of the airplane is stenciled on left side of the fuselage above the wing fillet.



In order to assist the user, the drawing numbering system of the Contractor is explained below:

Typical Part Number 89C22136
Location
Group

Location of the part is designated as follows:

- "F" - Part located in fuselage
- "C" - Part located in center panel
- "P" - Part located in power plant

Group Designations are as follows:

- 10 - Airplane general assembly
- 11 - Fuselage assembly
- 21 - Wing assembly complete
- 22 - Panel assembly center
- 24 - Wing tip assembly
- 25 - Flap assembly
- 26 - Aileron assembly
- 27 - Wing fillets and fairing

Section I
Introduction

RESTRICTED
AN 01-65BC-4
SECTION I - INTRODUCTION

- 31 - Installation of surface controls
- 32 - Installation of aileron controls
- 33 - Installation of elevator control
- 34 - Installation of stick control
- 36 - Installation of trim control
- 37 - Installation of rudder control
- 38 - Installation of hydraulic system
- 39 - Installation brake control
- 41 - Installation landing gear chassis
- 42 - Installation tail wheel
- 43 - Installation landing gear fairing
- 51 - Installation empennage
- 52 - Stabilizer assembly
- 53 - Elevator assembly
- 54 - Rudder assembly
- 55 - Fin assembly
- 56 - Installation empennage fillets
- 61 - Installation power plant
- 62 - Installation engine and engine mount
- 63 - Installation engine cowl
- 64 - Installation engine controls
- 65 - Installation fuel system
- 66 - Installation oil system
- 67 - Installation exhaust system
- 68 - Installation supercharger and induction system
- 71 - Installation armament
- 73 - Installation fixed guns
- 76 - Installation pyrotechnics
- 77 - Installation camera
- 81 - Installation instruments
- 82 - Installation electrical system
- 83 - Installation radio system
- 84 - Installation equipment and furnishings
- 96 - Forgings, castings

Standard Parts are prefixed by the letter "S".

The block system of designation is used to show variations of airplanes within the model. The "RA" and the "RE" suffix is used. Any reference to "RE" applies directly to an "RA" airplane bearing the same block designation numeral. To date, the following are the block designations of the various models:

P-47B	P-47D	*P-47D-4-RA
P-47C-RE	P-47D-RE	P-47D-5-RE
P-47C-1-RE	P-47D-1-RE	P-47D-6-RE
P-47C-2-RE	P-47D-2-RE	P-47D-10-RE
P-47C-5-RE	*P-47D-3-RA	

* These model designations were created since this catalog was prepared for publication.

P-47D-3-RA identical to P-47D-2-RE except for the incorporation of certain P-47D-10-RE changes as follows: Water Injection System Installation, Circuit Protector in General Circuit, Elevation of Guns, Test Switch for Oxygen Warning Light, Installation Microphone Adapter M-299, Spring Detent on Rear Gun Mount, Installation of AN-104-A Antenna, Enlarged Cooling Gap between Shroud and Oil Cooler Duct Shield, Elevation of Ring and Bead Sight and Guns Relocation of Fuel Lines, Elimination of Propane Priming System, Revised Main Switch Box, Relocation of Oxygen Regulator, Fuel Lines from Fuel Pump to Carburetor relocated.

P-47D-4-RA identical to P-47D-3-RA except for incorporation of additional -10 changes as follows: Redesignated Main and Auxiliary Fuel Tanks, Provision for Incendiary Grenades, Installation G-9 Booster Pump, Installation Bomb Shackles for External Tanks, Revised Mounting for Defroster Tube, Quick Demountable Dynamotor Base, Elimination of 200 gals Belly Tank Provisions, Frameless Gun Sight, Elimination of Provisions for SCR-535A Radio, Accumulator Air Loading Extension, Redesignated Level Lugs.

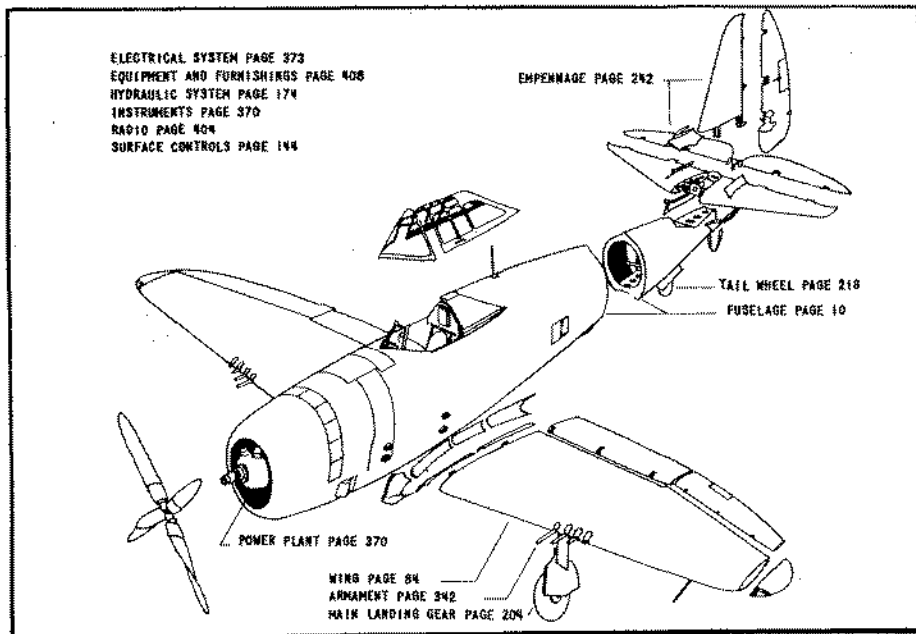


Figure 1—Main Assembly Locations

RESTRICTED

RESTRICTED

**GROUP
ASSEMBLY
PARTS LIST**

SECTION II

RESTRICTED
AN 01-658C-4

1	16	27	41	55
2	17	28	42	56 } K
3	18	29	43 } F	
4	19	30	44	57 } L
5	20 } A	31 } D	45	
6	21	32	46 } G	58 } M
7	22	33	47	
8 } A	23	34	48	59 } N
9				60 } N
10		35	49	61
11	24 } B	36	50 } H	
12	25	37 } E	51	62 } O
13		38	52	
14		39	53 } J	63 } P
15	26 } C	40	54	

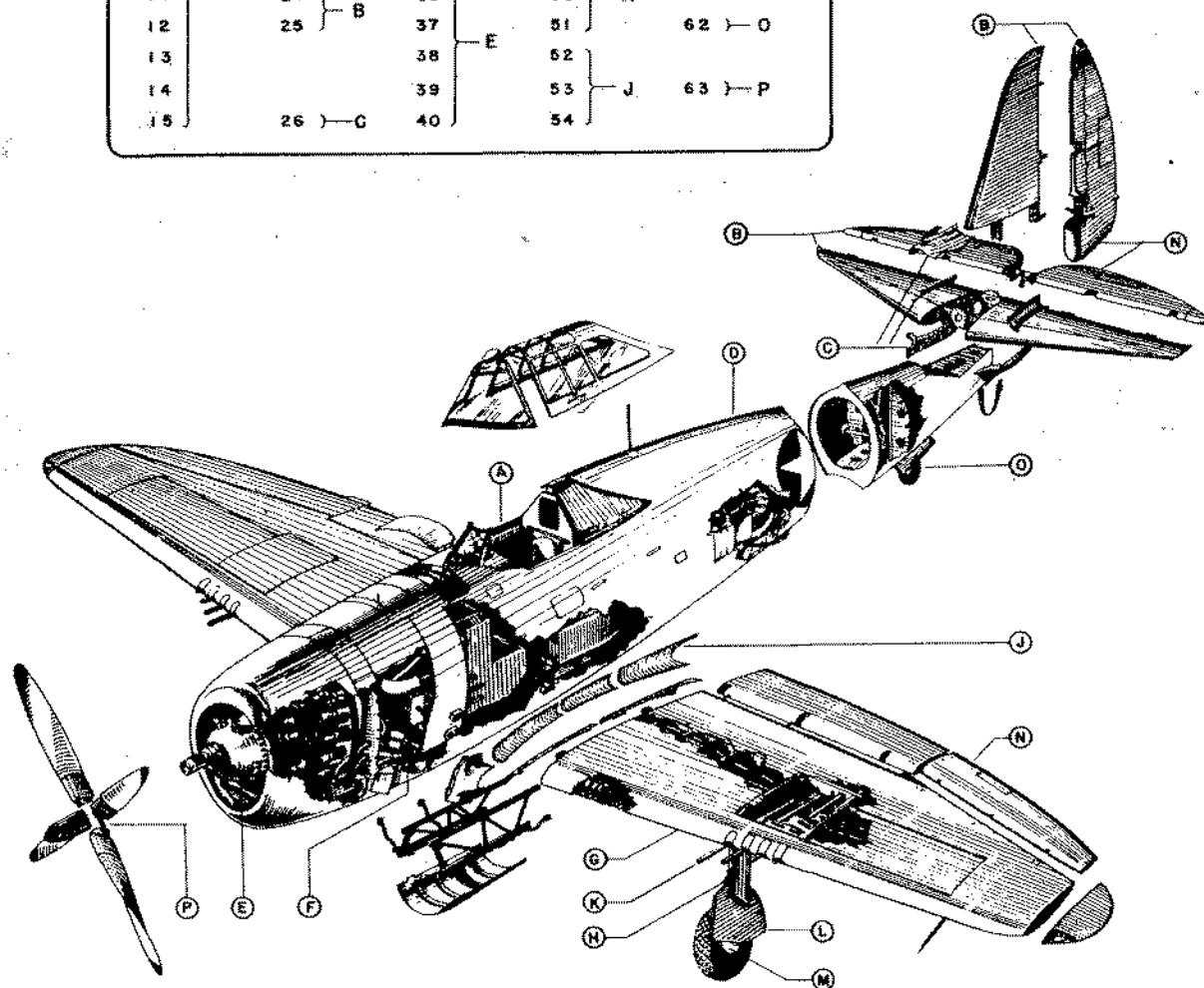


Figure 2—General Assembly

RESTRICTED
AN 01-65BC-4
SECTION II—GROUP ASSEMBLY PARTS LISTS

FIG. NO.	INDEX NO.	STOCK E	GENERAL ASSEMBLY						UNITS PER ASSY	PROPERTY CLASSIFICATION				
			MAJOR ASSEMBLY		MAJOR INSTALLATION					U.S. NAVY	U.S. ARMY	BRITISH		
			PART NUMBER	1	2	3	4	5					6	NOMENCLATURE
			93X10000											
			93X10100											
2	1		93X84000-2											
2	2		93X84000-3											
2	3		93X84000-4											
2	4		93X84000-5											
2	5		89X84300-2											
2	6		89X84300-3											
2	7		93X82000											
2	8		93X82000-2											
2	9		93X82000-3											
2	10		89X82000-3											
2	11		89X82000-4											
2	12		89X82000-5											
2	13		93X83000											
2	14		89X83301											
2	15		89X83401											
2	16		89X83300											
2	17		89X34300											
2	18		93X83001											
2	19		89X76000											
2	20		93X76000											
2	21		89X81000-33											
2	22		89X81000-10											
2	23		93X81000-20											
2	24		89E51000-51											
2	25		89E51000-52											
2	26		89X56000											
2	27		93F11000-4											
2	28		93F11000-3											

Unless otherwise noted all parts are in class 01-N.

RESTRICTED
AN 01-65BC-4
SECTION II—GROUP ASSEMBLY PARTS LISTS

FIG. NO.	INDEX NO.	GROUP	GENERAL ASSEMBLY						UNITS PER ASSY	PROPERTY CLASSIFICATION		
			MAJOR ASSEMBLY		MAJOR INSTALLATION					U.S. NAVY	U.S. ARMY	BRITISH
			PART NUMBER	1	2	3	4	5				
2	29	93F11000-8							1			
2	30	93F11000-6							1			
2	31	93F11000-7							1			
2	32	93F11000-1							1			
2	33	93F11000-5							1			
2	34	93F11000-2							1			
2	35	89F61005-1							1			
2	36	89F61005-2							1			
2	37	89F61005-3							1			
2	38	89X61005-4							1			
2	39	89X61005-5							1			
2	40	89X61005-6							1			
2	41	93X38000-1							1			
2	42	93X38000-2							1			
2	43	93X38000-3							1			
2	44	93X38500							1			
2	45	89W21000-53							1L/1R			
2	46	89W21000-52							1L/1R			
2	47	89W21000-54							1L/1R			
2	48	89W21000-55							1L/1R			
2	49	89L41000-2							1L/1R			
2	50	89L41000-3							1L/1R			
2	51	89L41000-4							1L/1R			
2	52	89X27300-53							1			
2	53	89X27300-52							1			
2	54	89X27300-54							1			

Unless otherwise noted all parts are in class O1-N.

RESTRICTED
AN 01-65BC-4
SECTION II—GROUP ASSEMBLY PARTS LISTS

FIG. NO.	INDEX NO.	STOCKED	GROUP		GENERAL ASSEMBLY							UNITS PER ASSY.	PROPERTY CLASSIFICATION					
			MAJOR ASSEMBLY		MAJOR INSTALLATION								U.S. NAVY	U.S. ARMY	BRITISH			
			PART NUMBER		1	2	3	4	5	6	NOMENCLATURE							
2	55		89X71000-6															Unless otherwise noted all parts are in class OI-N.
												1						
2	56		89X71000-8															
			93X71000															
2	57		89L43000															
2	58		89X39000															
2	59		89X31000-2															
2	60		89X31000-3															
2	61		89X31000-4															
2	62		89M42000-3															
2	63		C-5428-A-221															

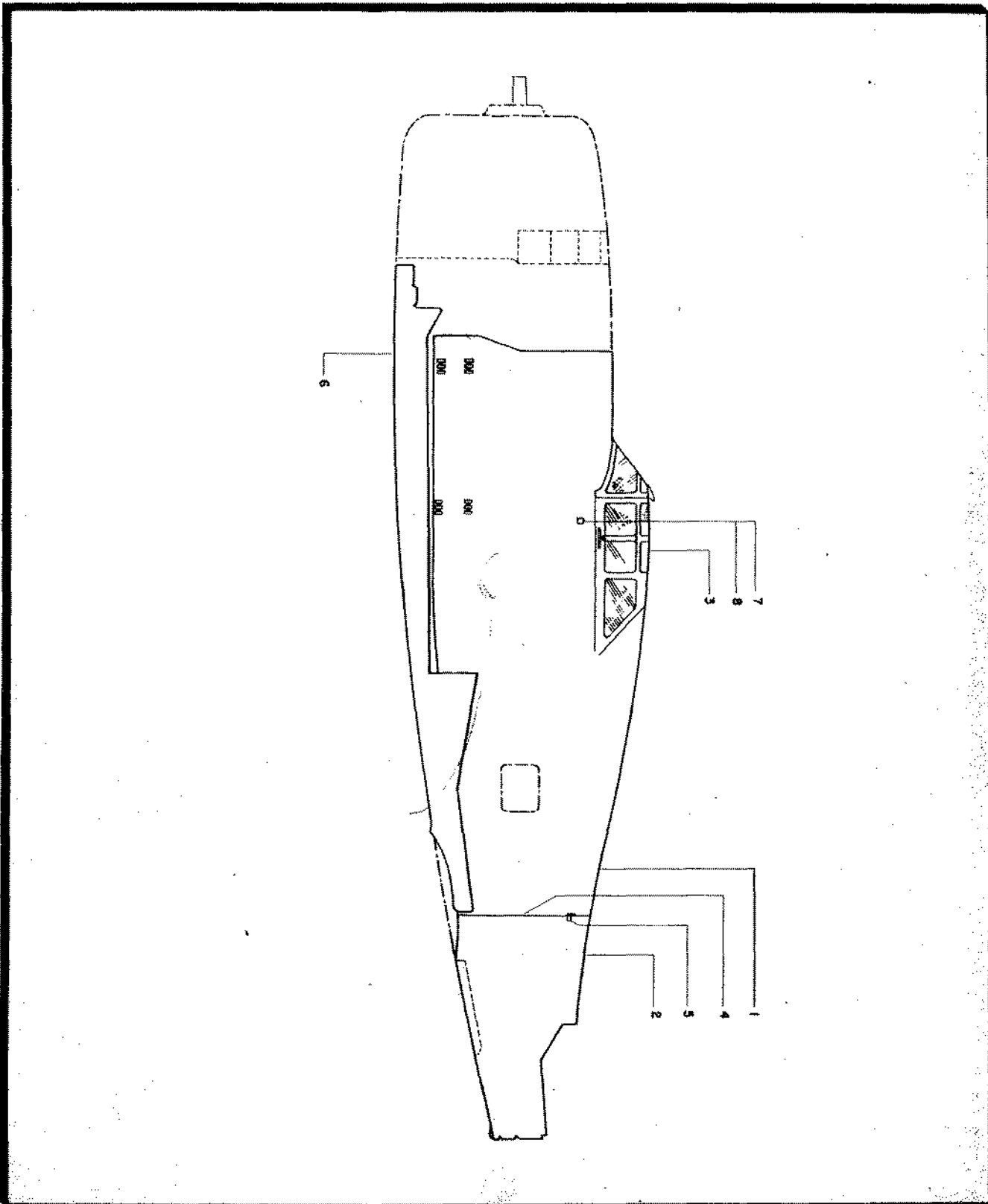


Figure 3—Fuselage Assembly Complete

SECTION II—GROUP ASSEMBLY PARTS LISTS

FIG. NO.	INDEX NO.	S T O C K E D	GROUP		FUSELAGE						UNITS PER ASSEY	PROPERTY CLASSIFICATION		
			MAJOR ASSEMBLY	FUSELAGE ASSEMBLY COMPLETE						U.S. NAVY		U.S. ARMY	BRITISH	
			PART NUMBER	1	2	3	4	5	6					NOMENCLATURE
2	30		93F11000	Fuselage Assembly Complete										
3	1		89F11001-52								1			
3	1		89F11001-53								1			
3	1		89F11001-54								1			
3	1		89F11001-55								1			
3	1		89F11001-56								1			
3	1		89F11001-57								1			
3	1		89F11001-58								1			
3	1		89F11001-59								1			
3	2		89F11002-53								1			
3	2		89F11002-52								1			
3	3		89F11003-2								1			
3	3		89F11003-3								1			
3	4		89F11740								1			
			89F11992								1			
3	5		89F11991								1			
3	6		89F12010-51								1			
3	6		89F12010-52								1			
3	6		89F12010-53								1			
3	6		89F12010-55								1			
3	7		AN7510-2								1		03-F	
3	8		AN535-0-3								4		29	

Unless otherwise noted all parts are in class 01-N.

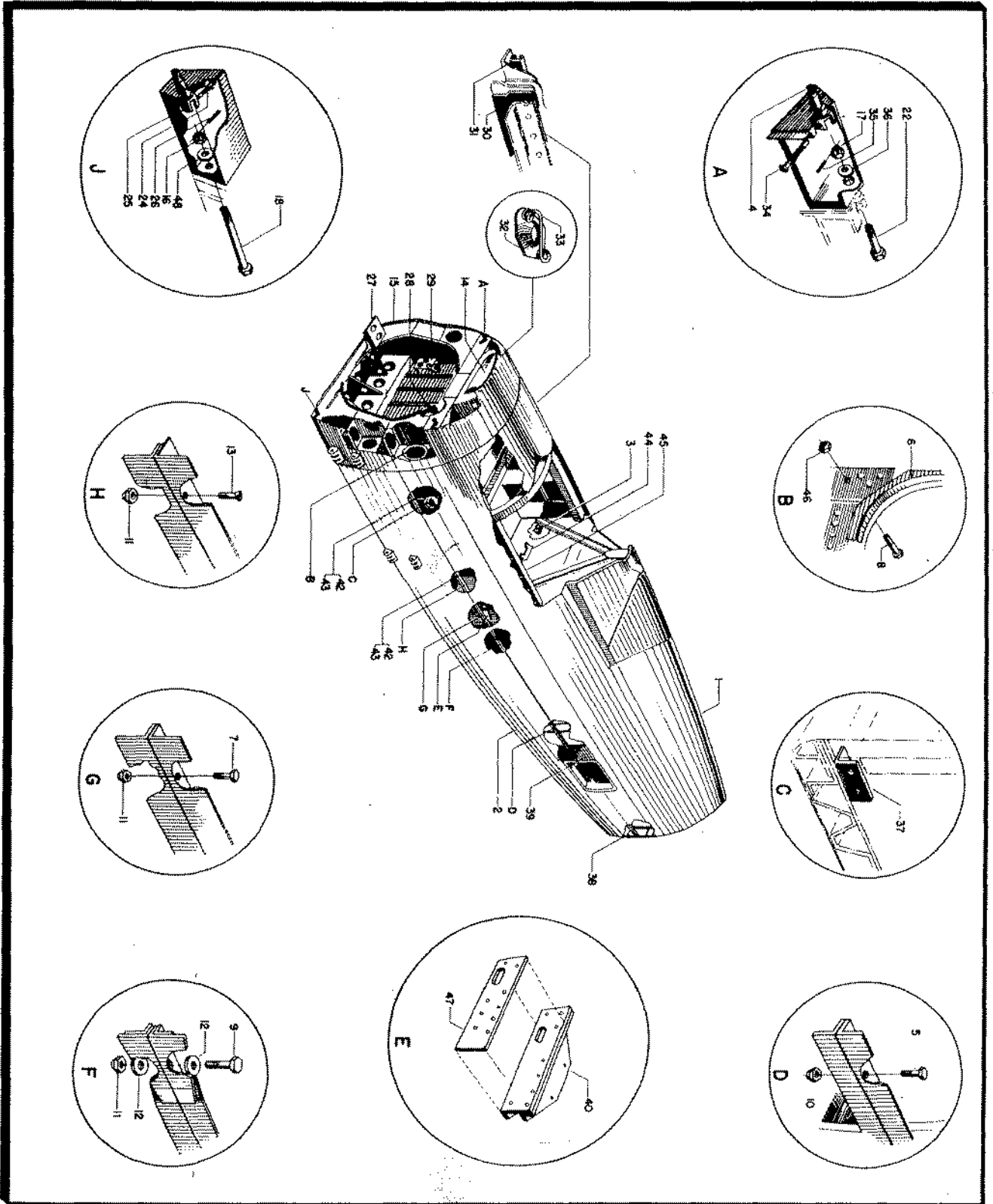


Figure 4—Fuselage Assembly

RESTRICTED
AN 01-65BC-4
SECTION II—GROUP ASSEMBLY PARTS LISTS

FIG. NO.	INDEX NO.	STOCKED	GROUP FUSELAGE						UNITS PER ASSY	PROPERTY CLASSIFICATION			
			MAJOR ASSEMBLY	FUSELAGE ASSEMBLY FORWARD						U.S. NAVY	U.S. ARMY	BRITISH	
			PART NUMBER	1	2	3	4	5					6
3	1		89F11001-52	Fuselage	Assembly	Forward	(P-47D-RE)	1					
3	1		89F11001-53	Fuselage	Assembly	Forward	(P-47C-1-RE)	1					
3	1		89F11001-54	Fuselage	Assembly	Forward	(P-47C-5-RE)	1					
3	1		89F11001-55	Fuselage	Assembly	Forward	(P-47D-1-RE)	1					
3	1		89F11001-56	Fuselage	Assembly	Forward	(P-47C-2-RE)	1					
3	1		89F11001-57	Fuselage	Assembly	Forward	(P-47D-5-RE)	1					
3	1		89F11001-58	Fuselage	Assembly	Forward	(P-47D-10-RE and up)	1					
3	1		89F11001-59	Fuselage	Assembly	Forward	(P-47D-2-RE)	1					
4	1		89F11050-50	Cover	Assembly	Top	(P-47B)	1					
4	1		89F11050-51	Cover	Assembly	Top	(P-47C-RE)	1					
4	1		89F11050-52	Cover	Assembly	Top	(P-47D-RE only)	1					
4	2		89F11051-50	Cover	Assembly	Bottom	(P-47B)	1					
4	2		89F11051-51	Cover	Assembly	Bottom	(P-47C-RE only)	1					
4	2		89F11051-52	Cover	Assembly	Bottom	(P-47D-RE only)	1					
4	3		89F11613	Installation	Pulley	Housing	(P-47B)	1					
4	3		89F11978	Installation	Pulley	Bracket	(P-47C-RE and up)	1					
4	4		89F11663	Bolt	(P-47C-RE only)			2					
4	4		89F11662	Bolt	(P-47C-RE and up)			2					
4	5		AN3-4A	Bolt				84		04-A			
4	6		89F12078	Flange	Fume	Proof	Joint (P-47C-1-RE and up)	1L/1R					
4	7		AN4-5A	Bolt				98		04-A			
4	8		AN4-7A	Bolt				2		04-A			
4	9		AN4-10A	Bolt				6		04-A			

Unless otherwise noted all parts are in class 01-N.

RESTRICTED
AN 01-65BC-4
SECTION II—GROUP ASSEMBLY PARTS LISTS

FIG. NO.	INDEX NO.	GROUP	FUSELAGE						UNITS PER ASSY	PROPERTY CLASSIFICATION			
			MAJOR ASSEMBLY		FUSELAGE ASSEMBLY FORWARD					U.S. NAVY	U.S. ARMY	BRITISH	
			PART NUMBER	1	2	3	4	5					6
4	10	365-1032								88		04-A	
4	11	365-428								110		04-A	
4	12	AN960-1416								12		04-A	
4	13	S-52-416-4								4		01-N	
4	14	89F12009-19								1		01-N	
4	15	89F12000-13								1		01-N	
4	16	42E144								2		04-A	
4	17	42E164								2		04-A	
4	17	AN310-16								2		04-A	
4	16	AN310-14								2		04-A	
4	18	AN14-65								2		04-A	
4	18	89F11026								2		01-N	
		AN3-21A								2		04-A	
		AN16-26A								2		04-A	
		AN380-4-7								4		29	
4	22	89F11027								2		01-N	
		AN960-1616								2		04-A	
4	24	89F12162								4		01-N	
4	25	89F11029								2		01-N	
4	26	AN380-4-7								4		29	
4	27	89F82257								1		01-N	
4	28	89F12071								1		01-N	

RESTRICTED
AN 01-65BC-4
SECTION II—GROUP ASSEMBLY PARTS LISTS

FIG. NO.	INDEX NO.	STOCKED	GROUP						PROPERTY CLASSIFICATION				
			FUSELAGE						UNITS PER ASSY	U.S. NAVY	U.S. ARMY	BRITISH	
			MAJOR ASSEMBLY		FUSELAGE ASSEMBLY FORWARD								
PART NUMBER		1	2	3	4	5	6	NOMENCLATURE					
4	29		93F11520						Installation-Bracket Battery Junction Box (P-47B, P-47D-5-RE and up)	1		01-N	
4	30		89F11583-1						Guide Plate	1		01-N	
4	31		89F11001-1						Gang Channel	1		01-N	
4	32		S-128-3						Plate Cowl - Fastener	26		01-N	
4	33		35B1406-3						Dzus - Spring	26		04-A	
4	34		89F12162						Bolt Retainer Assembly (P-47C-1-RE and up)	1		01-N	
4	35		AN380-4-7						Cotter	4		29	
4	36		AN960-1616						Washer	2		04-A	
4	37		89F11483						Clip-Pilot's Floor - Station 124	2		01-N	
4	38		89F11364						Splice Plate - Frame -Station 302½	2		01-N	
4	39		89F11711						Installation-Plate, Intercooler Door Frame Fuselage	1L/1R		01-N	
4	40		89F11630						Installation-Pulley Bracket-Rudder Control-Station 180	1L/1R		01-N	
4	40		89F11526						Filler-Rudder Pulley Bracket Station 180	1L/1R		01-N	
4	42		89F12095						Installation-Covering Anti-Flowering Main and Auxiliary Fuel Tank (P-47C-1-RE, P-47D-2-RE)	1		01-N	
4	43		93F12095						Anti-Flowering (P-47D-5-RE and up)	1		01-N	
4	44		89F11620						Support Assembly (P-47B, P-47D-RE)	1		01-N	
4	45		89F11181						Installation-Left Hand Cockpit Wall	1		01-N	
4	46		AN365-428						Nut	10		04-A	
4	47		89F11526						Filler - Rudder Pulley Bracket Station 180	1L/1R		01-N	
4	48		AN960-416						Washer	12		04-A	

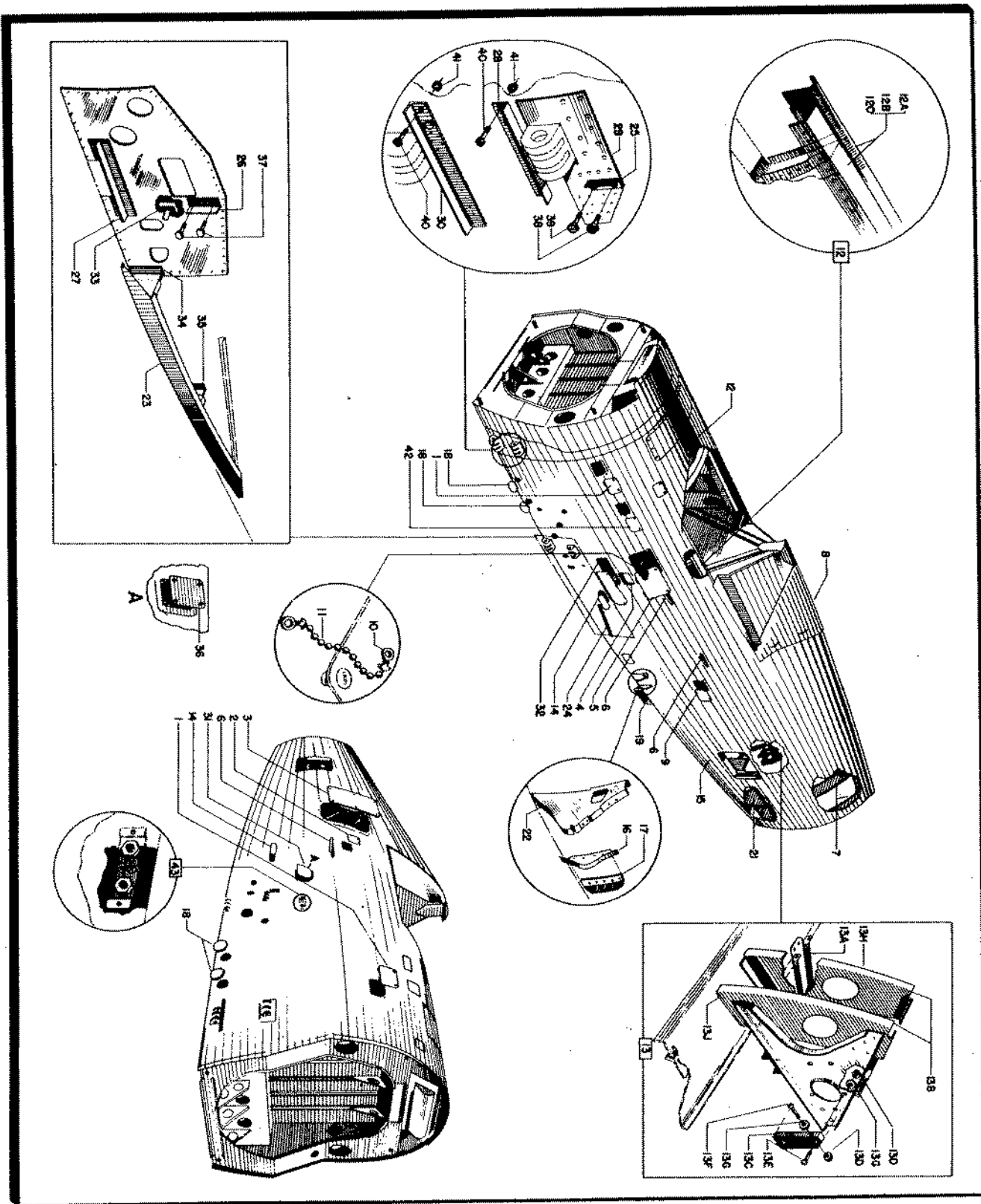


Figure 5—Cover Assembly—Top and Bottom (Fuselage)

RESTRICTED
AN 01-65BC-4
SECTION II—GROUP ASSEMBLY PARTS LISTS

FIG. NO.	INDEX NO.	STOCKED	GROUP						PROPERTY CLASSIFICATION														
			MAJOR ASSEMBLY			COVER ASSEMBLY			UNITS PER ASSY	U.S. NAVY	U.S. ARMY	BRITISH											
			PART NUMBER	1	2	3	4	5					6	NOMENCLATURE									
4	1		89F11050																				
5	1		89F11716-1																				
5	2		89F11651																				
5	3		89F11185																				
5	4		89F11355																				
5	5		89F11383																				
5	6		89F11474-52																				
5	6		89F11048																				
5	7		89F11150																				
5	8		89F11829																				
5	9		89F11073																				
5	10		S-318																				
5	11		S-317-8																				
5	12		89F11865																				
5	12A		89F11834-50																				
5	12B		89F11834-51																				
5	12C		89F11834-52																				
5	13		89F11601-51																				
5	13A		89F11595																				
5	13B		89F11596																				

Unless otherwise noted all parts are in class 01-N.

RESTRICTED
AN 01-65BC-4
SECTION II—GROUP ASSEMBLY PARTS LISTS

FIG. NO.	INDEX NO.	S T O C K E D	GROUP		FUSELAGE						UNITS PER ASSY	PROPERTY CLASSIFICATION		
			MAJOR ASSEMBLY		COVER ASSEMBLY							U.S. NAVY	U.S. ARMY	BRITISH
			PART NUMBER	1	2	3	4	5	6	NOMENCLATURE				
5	28								Angle	2		01-N		
5	29								Plate	2		01-N		
5	30								Angle	1L/1R		01-N		
5	31								Installation-Filler Neck Tank Door	1		01-N		
5	32								Installation-Hydraulic Access Hole	1		01-N		
5	33								Fairlead	1		01-N		
5	34								Angle (P-47C-RE and up)	1L/1R		01-N		
5	35								Angle (P-47C-RE and up)	1L/1R		01-N		
5	36								Installation-Filler Neck Auxiliary Tank Fuselage (P-47D-5-RE and up)	1		01-N		
5	37								Bolt	4		04-A		
5	38								Bolt	2		04-A		
5	39								Bolt	2		04-A		
5	40								Bolt	12		04-A		
5	41								Nut	12		04-A		
5	42								Installation - Hydraulic Access Hole Fuselage	1		01-N		
5	43								Installation - Ground Fuel Nozzle	1		01-N		

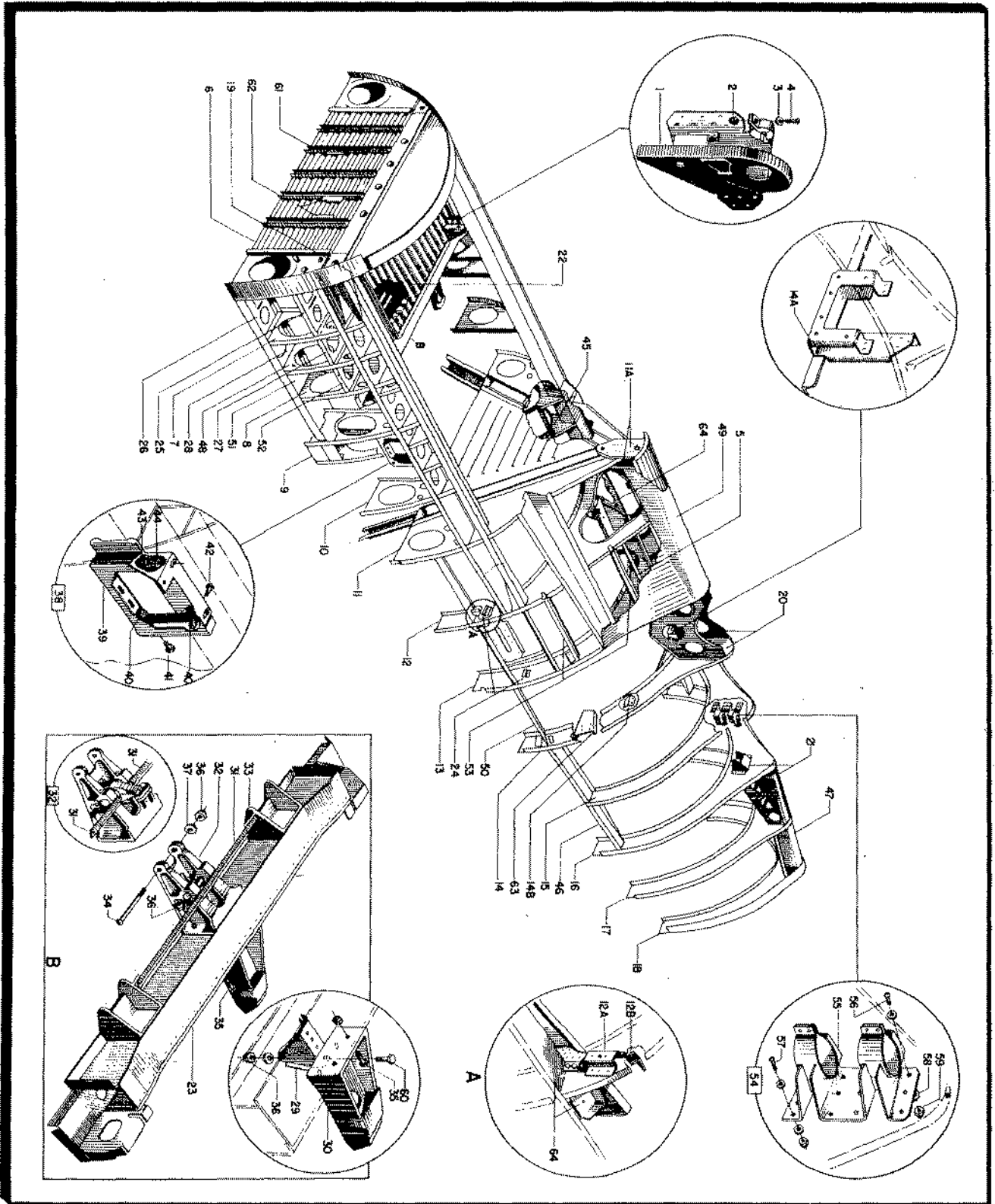


Figure 6—Frame Assembly—Top (Fuselage)

RESTRICTED
AN 01-65BC-4
SECTION II—GROUP ASSEMBLY PARTS LISTS

FIG. NO.	INDEX NO.	SYMBOL	GROUP		FUSELAGE							UNITS PER ASSY	PROPERTY CLASSIFICATION				
			MAJOR ASSEMBLY	FRAME ASSEMBLY-TOP	1	2	3	4	5	6	NOMENCLATURE		U.S. NAVY	U.S. ARMY	BRITISH		
																PART NUMBER	
4	1		89F11050														
5	7		89F11150														
			89F11017														
6	1		89F11017-1														
6	2		AN365-832														04-A
6	3		AN960-D8														04-A
6	4		AN515-8-9														29
6	5		89F11079														
6	6		89F11101-50														
6	6		89F11101-51														
6	6		89F12101-52														
6	6		89F12101-53														
6	6		89F12101-54														
6	6		89F12101-51														
6	7		89F11102														
6	7		89F11102-1														
6	7		89F11102-2														
			89F11103														
6	8		89F11103-1														
6	8		89F11103-2														
6	9		89F11104														
6	9		89F11104-1														
6	9		89F11104-2														
6	10		89F11105														
6	10		89F11105-50														
6	10		89F11105-52														

Unless otherwise noted all parts are in class 01-N.

RESTRICTED
AN 01-65BC-4
SECTION II—GROUP ASSEMBLY PARTS LISTS

FIG. NO.	INDEX NO.	STOCK NO.	GROUP						UNITS PER ASSY	PROPERTY CLASSIFICATION			
			MAJOR ASSEMBLY		FUSELAGE					U.S. NAVY	U.S. ARMY	BRITISH	
					FRAME ASSEMBLY - TOP								
PART NUMBER		1	2	3	4	5	6	NOMENCLATURE					
6	11		89F11106						Frame 180 Top Fuselage (P-47B)	1			
6	11		89F11120-22						Frame 180 Top Fuselage (P-47C-RE)	1			
6	11		89F11120-23						Frame 180 Top Fuselage (P-47C-1-RE, P-47C-2-RE)	1			
6	11		89F11120-24						Frame 180 Top Fuselage (P-47C-5-RE, P-47D-1-RE, P-47D-2-RE)	1			
6	11		89F11120-25						Frame 180 Top Fuselage (P-47D-5-RE and up)	1			
6	11A		89F11217-1						Crash Protector Rear	1			
6	11A		89F11217-2						Crash Protector Front	1			
6	12		89F11107-50						Frame 197½ Top Fuselage (P-47B)	1			
6	12		93F11107						Frame 197½ Top Fuselage (P-47C, P-47D)	1			
6	12A		89F11671						Radio Shelf Support	1			
6	12B		89F11980						Clip	1			
6	13		89F11108-50						Frame 215 Top Fuselage (P-47B)	1			
6	13		93F11108-51						Frame 215 Top Fuselage (P-47C-RE, P-47C-1-RE, P-47C-2-RE, P-47C-5-RE)	1			
6	13		93F11108-52						Frame 215 Top Fuselage (P-47D-RE)	1			
6	13		93F11108-53						Frame 215 Top Fuselage (P-47D-1-RE and up)	1			
6	14		89F11109-50						Frame 232½ Top Fuselage (P-47B)	1			
6	14A		89F11666						Installation - Support Antenna Relay Unit - (P-47C-RE and up)	1			
6	14B		89F11763						Bracket Arens Control	1			
6	15		89F11110						Frame 250 Top Fuselage	1			
6	16		89F11111						Frame 267½ Top Fuselage	1			
6	17		89F11112						Frame 285 Top Fuselage	1			
6	18		89F11113						Frame 302½ Top Fuselage	1			

Unless otherwise noted all parts are in class 01-N.

RESTRICTED
AN 01-65BC-4
SECTION II—GROUP ASSEMBLY PARTS LISTS

FIG. NO.	INDEX NO.	STOCKED	GROUP		FUSELAGE						UNITS PER ASSY	PROPERTY CLASSIFICATION			
			MAJOR ASSEMBLY		FRAME ASSEMBLY-TOP							U.S. NAVY	U.S. ARMY	BRITISH	
			PART NUMBER	1	2	3	4	5	6	NOMENCLATURE					
6	19		89F11141-50								Installation-Upper Tie (P-47B)	1L/1R			
6	19		89F11141-51								Installation-Upper Tie (P-47C-RE)	1L/1R			
6	19		89F11141-52								Installation-Upper Tie (P-47D-RE and up)	1L/1R			
6	19		89F11141-53								Installation-Upper Tie (P-47C-1-RE, P-47C-2-RE)	1L/1R			
6	19		89F11141-54								Installation-Upper Tie (P-47C-5-RE)	1L/1R			
6	20		89F11171-50								Installation-Elevator Lever Support (P-47B)	1			
6	20		89F11171-51								Installation-Elevator Lever Support (P-47C)	1			
6	20		93F11171								Installation-Elevator Lever Support (P-47D)	1			
6	21		89F11172-11								Installation-Elevator Lever Support (P-47C, P-47D)	1			
6	21		89F11172-12								Installation-Elevator Lever Support (P-47B)	1			
6	22		89F11175-1								Installation-Main and Auxiliary Tank Panels (P-47B, P-47C-RE, P-47C-1-RE, P-47C-2-RE)	1			
6	22		89F11175-4								Installation-Main and Auxiliary Tank Panels (P-47D-RE)	1			
6	22		89F11175-7								Installation-Main and Auxiliary Tank Panels (P-47D-1-RE, P-47D-2-RE)	1			
6	22		89F11175-8								Installation-Main and Auxiliary Tank Panels (P-47D-1-RE, P-47D-2-RE)	1			
6	22		89F11175-9								Installation-Main and Auxiliary Tank Panels (P-47D-5-RE and up)	1			
6	23		89F11184								Installation-Rudder Pedal Support	1			
			89F11189								Installation-Leveling Bracket	1			
6	24		89F11189-1								Bracket	1			
6	24		89F11189-2								Bracket	1			

Unless otherwise noted all parts are in class 01-N.

RESTRICTED
AN 01-65BC-4
SECTION II—GROUP ASSEMBLY PARTS LISTS

FIG. NO.	INDEX NO.	GROUP	FUSELAGE						UNITS PER ASSY	PROPERTY CLASSIFICATION			
			MAJOR ASSEMBLY	FRAME ASSEMBLY-TOP						U.S. NAVY	U.S. ARMY	BRITISH	
				PART NUMBER	1	2	3	4					5
6	25	89F11249-1							Diaphragm 101-5/8 Upper L.H.	1			
6	25	89F11249-2							Diaphragm 101-5/8 Upper R.H.	1			
6	25	89F11249-7							Diaphragm 101-5/8 Upper L.H.	1			
6	26	89F11250-1							Diaphragm-101-5/8 Fuselage L.H.	1			
6	26	89F11250-2							Diaphragm 101-5/8 Fuselage R.H.	1			
6	27	89F11254-1							Diaphragm 116 Upper L.H.	1			
6	27	89F11254-2							Diaphragm 116-Upper R.H.	1			
6	28	89F11255-1							Diaphragm 116 Fuselage L.H.	1			
6	28	89F11255-2							Diaphragm 116 Fuselage R.H.	1			
6	29	89F11517							Pulley Bracket Assembly Parking Brake	1			
6	30	89F11522							Bracket Parking Brake Control	1			
		89F11519							Installation-Pedal Lock Brackets	1			
6	31	89F11519-1							Channel	1			
6	31	93F11519-1							Channel	1			
6	32	89F11857-1							Swivel Assembly (P-47B, P-47C-RE, P-47C-1-RE, P-47D-RE)	1			
6	32	89F11857-2							Swivel Assembly (P-47C-5-RE, P-47D-1-RE and up)	1			
6	33	89F11521							Bracket	1L/1R			
6	34	AN23-44A							Bolt, Clevis	1		04-A	
6	35	AN3-5A							Bolt	4		04-A	
6	36	AN365-1032							Nut	5		04-A	
6	37	AN960-D10							Washer	1		04-A	
6	38	89F11554							Installation-Hydraulic Operating Control Support	1		04-A	
6	39	89F11551							Support Assembly	1			
6	40	AN365-1032							Nut	3		04-A	
6	41	AN3-5A							Bolt	2		04-A	

Unless otherwise noted all parts are in class 01-N.

RESTRICTED
AN 01-65BC-4
SECTION II—GROUP ASSEMBLY PARTS LISTS

FIG. NO.	INDEX NO.	SYMBOL	GROUP		FUSELAGE							UNITS PER ASSY	PROPERTY CLASSIFICATION		
			MAJOR ASSEMBLY		FRAME ASSEMBLY - TOP								U.S. NAVY	U.S. ARMY	BRITISH
			PART NUMBER		1	2	3	4	5	6	NOMENCLATURE				
6	42		AN3-6A									2		01-A	
6	43		AN3-7A									2		01-A	
6	44		AN960-10									3		01-A	
6	45		89F11645												
6	46		89F11709									1		01-N	
6	47		89F11712									1L/1R		01-N	
6	48		89F11802-1									1		01-N	
6	48		89F11802-2									1		01-N	
6	49		89F11830-50												
6	49		89F11830-51									1		01-N	
6	49		89F11830-52									1		01-N	
6	50		89F11839									1		01-N	
6	50		89F11839-5									1		01-N	
6	50		89F11839-6									1		01-N	
6	51		89F11854-1									1		01-N	
6	51		89F11854-2									1		01-N	
6	52		89F11856-1									1		01-N	
6	52		89F11856-2									1		01-N	
6	53		89F11965												
6	54		93F11511									1		01-N	
6	55		93F11512									1		01-N	
6	56		AN518-8-8									6		29	
6	57		AN518-8-10									8		29	
6	58		AN960-8									28		01-A	
6	59		AN365-832									14		01-A	
6	60		AN3-6A									3		01-A	
6	61		89F12094												
6	62		93F84021									1		01-N	
6	63		89F11604									1		01-N	
6	64		89F11186									1L/1R		01-N	
6	64		89F11898									1		01-N	

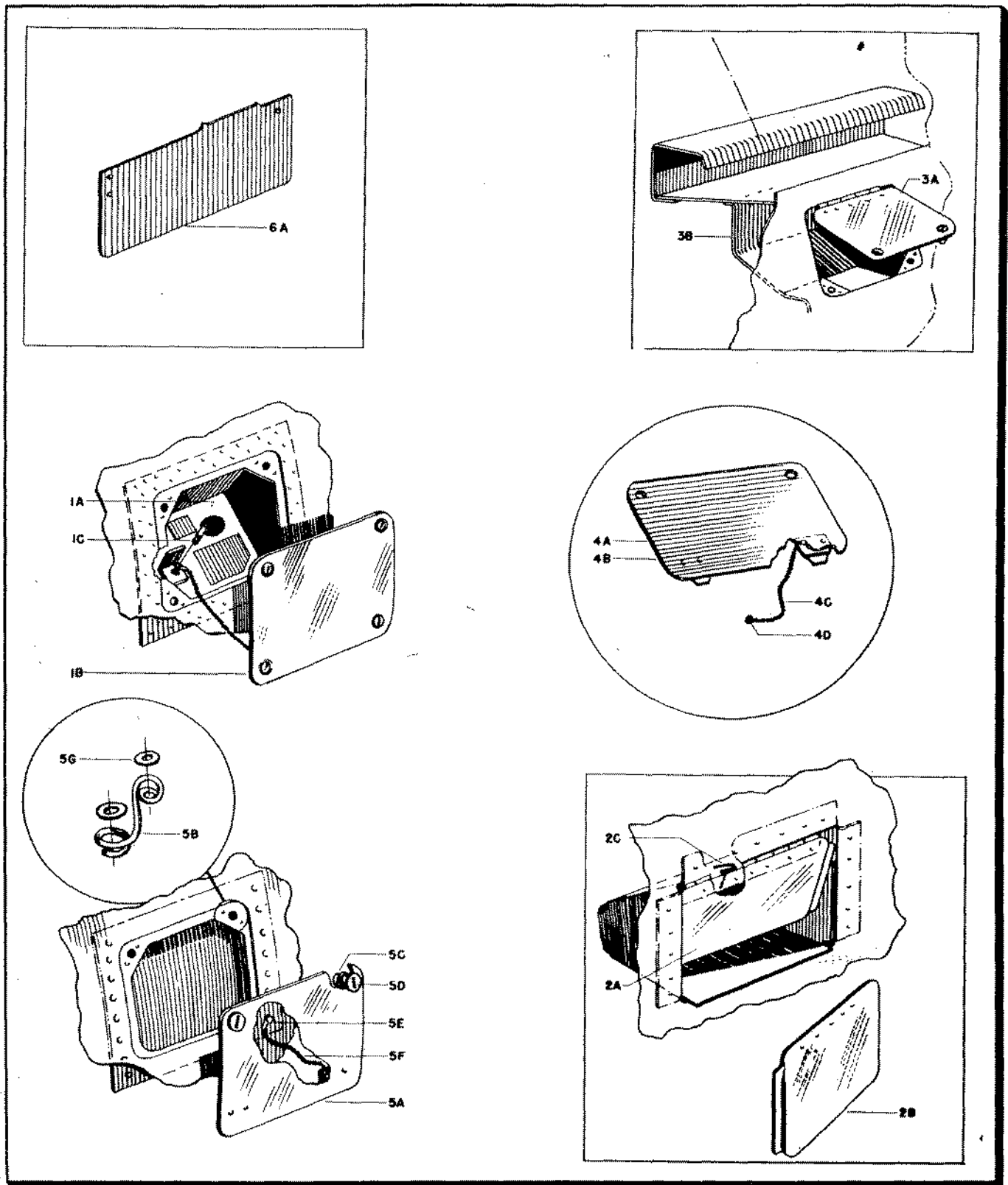


Figure 7—Access Doors

RESTRICTED
AN 01-65BC-4
SECTION II—GROUP ASSEMBLY PARTS LISTS

FIG. NO.	INDEX NO.	STOCKED	GROUP						UNITS PER ASSY	PROPERTY CLASSIFICATION			
			MAJOR ASSEMBLY		INSTALLATION OF ACCESS DOOR					U.S. NAVY	U.S. ARMY	BRITISH	
			PART NUMBER	1	2	3	4	5					6
REF.			89F11050										
5	9		89F11073							1			
7	1A		89F11074							1			
7	1B		89F11075							1			
7	1C		AN515-6-10							1			
5	4		89F11355							1			
7	2A		89F11355-3							1			
7	2B		89F11355-7							1			
7	2C		10965							2			
5	2		89F11651							1			
7	3A		89F11648							1			
7	3B		89F11650							1			
5	1		89F11716							2			
7	4A		89F11717-1							1			
7	4B		89F11717-5							1			
7	4C		S-317-3							1			
7	4D		S-318							1			
5	42		89F11755							1			
7	5A		89F11755-4							1			
7	5B		35B1406-6							1			04-A
7	5C		35B1406-7							1			04-A
7	5D		FA5-45							2			04-A
7	5E		S-318							1			
7	5F		S-317-3							1			
7	5G		AN960-4							4			04-A
REF.			89F11051										
5	32		89F11750							1			
7	6A		89F11750-2							1			

SEE PAGE 49 FOR EXPLANATION OF "REF."

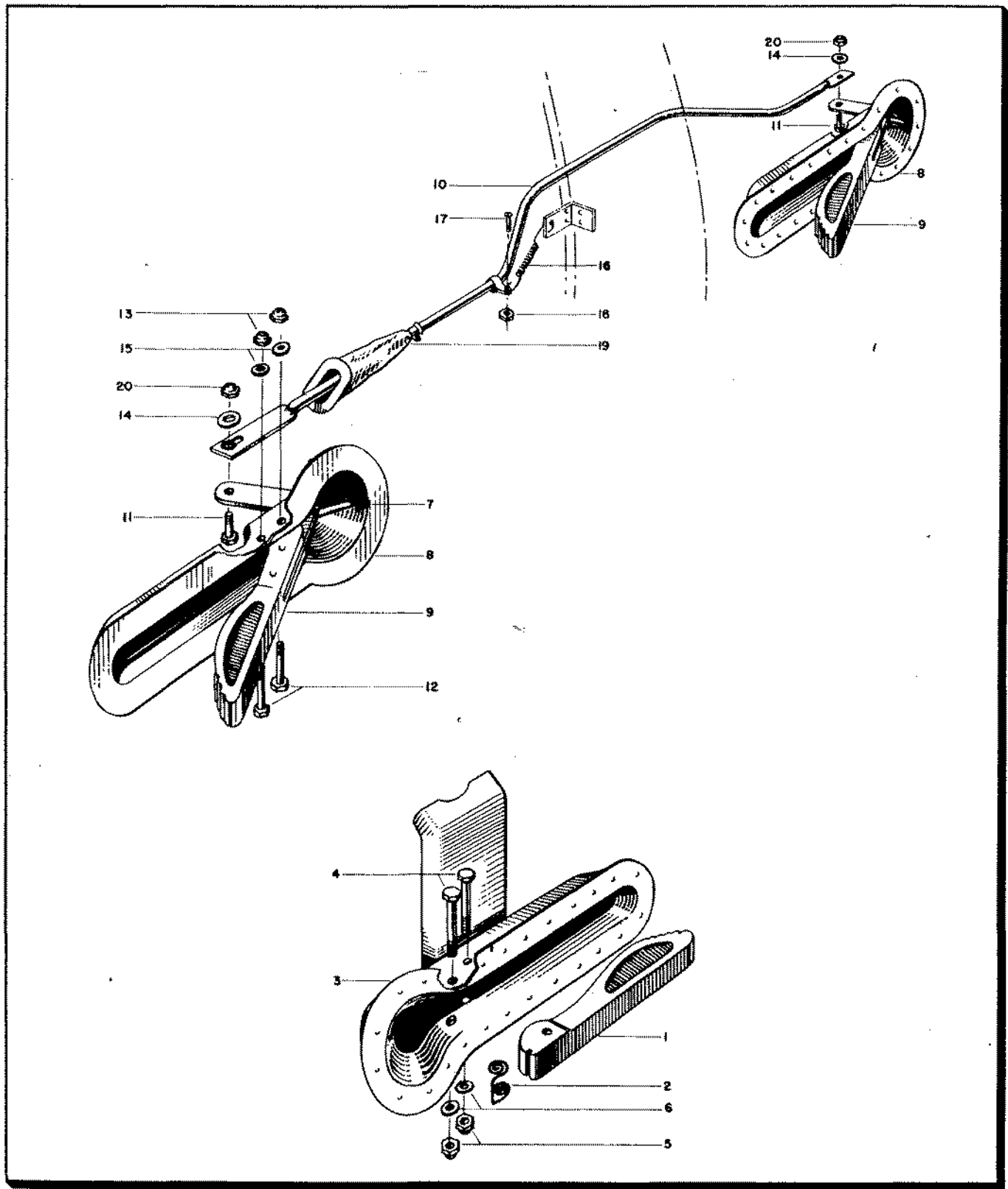


Figure 8—Hand Grips

RESTRICTED
AN 01-65BC-4
SECTION II—GROUP ASSEMBLY PARTS LISTS

FIG. NO.	INDEX NO.	STOCKED	GROUP						FUSELAGE		PROPERTY CLASSIFICATION			
			MAJOR ASSEMBLY			INSTALLATION - HANDGRIPS			UNITS PER ASSY	U.S. NAVY	U.S. ARMY	BRITISH		
			PART NUMBER	1	2	3	4	5					6	NOMENCLATURE
5	6		89F11474								1		01-N	
8	1		89F11719								1		01-N	
8	2		89F11203								1		01-N	
8	3		89F11473								1		01-N	
8	4		AN4-12A								2		04-A	
8	5		AN365-428								2		04-A	
8	6		AN960-D416								2		04-A	
5	6		89F11048								1		01-N	
8	7		89F11047								1		01-N	
8	8		89F11056								1		01-N	
8	9		89F11057								1		01-N	
8	10		89F11053-1								1		01-N	
8	11		AN3-6A								2		04-A	
8	12		AN4-12A								2		04-A	
8	13		AN365-428								2		04-A	
8	14		AN960-D10								6		04-A	
8	15		AN960-D416								2		04-A	
8	16		89F11033								1		01-N	
8	17		AN515-8-7								1		29	
8	18		AN365-832								1		04-A	
8	19		89F11055-4								1		01-N	
8	20		AN364-1032								2		04-A	
			89F11474-7								1			

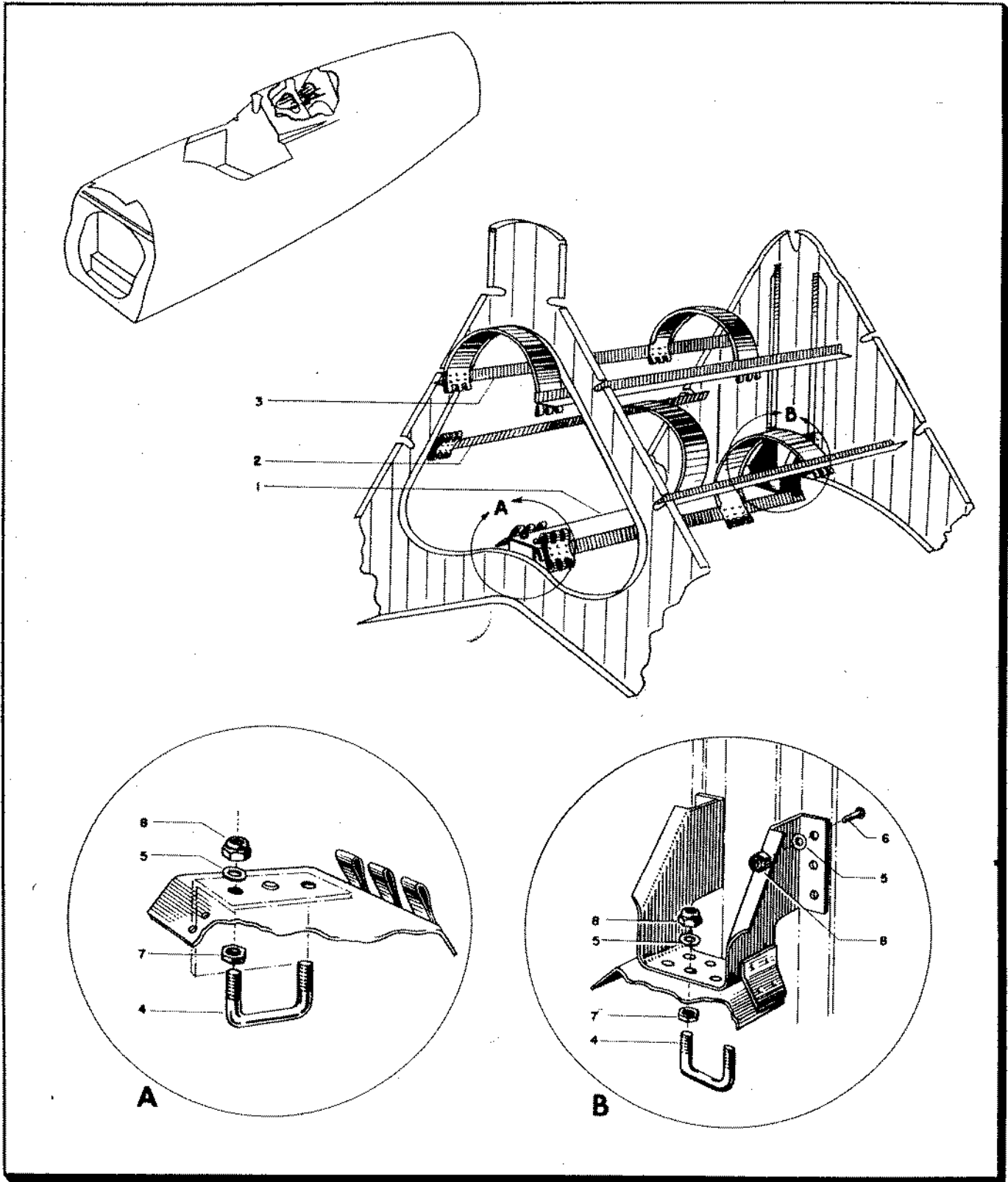


Figure 9—Oxygen Cylinder Support

RESTRICTED
AN 01-65BC-4
SECTION II—GROUP ASSEMBLY PARTS LISTS

FIG. NO.	INDEX NO.	STOCK NUMBER	GROUP						PROPERTY CLASSIFICATION				
			FUSELAGE						UNITS PER ASSY	U.S. NAVY	U.S. ARMY	BRITISH	
			MAJOR ASSEMBLY		OXYGEN CYLINDER SUPPORT								
PART NUMBER	1	2	3	4	5	6	NOMENCLATURE						
6	5							89F11079	Installation-Oxygen Cylinder Support	1		01-N	
9	1							89F11079-3	Channel Assembly	1		01-N	
9	2							89F11079-4	Angle Assembly	1L/1R		01-N	
9	3							89F11079-5	Angle Assembly	1		01-N	
9	4							89F84220	Loop	1		01-N	
9	5							AN960-10	Washer	8		04-A	
9	6							AN520-10-10	Screw	6		29	
9	7							AN315-5R	Nut	2		04-A	
9	8							AN365-1032	Nut	8		04-A	

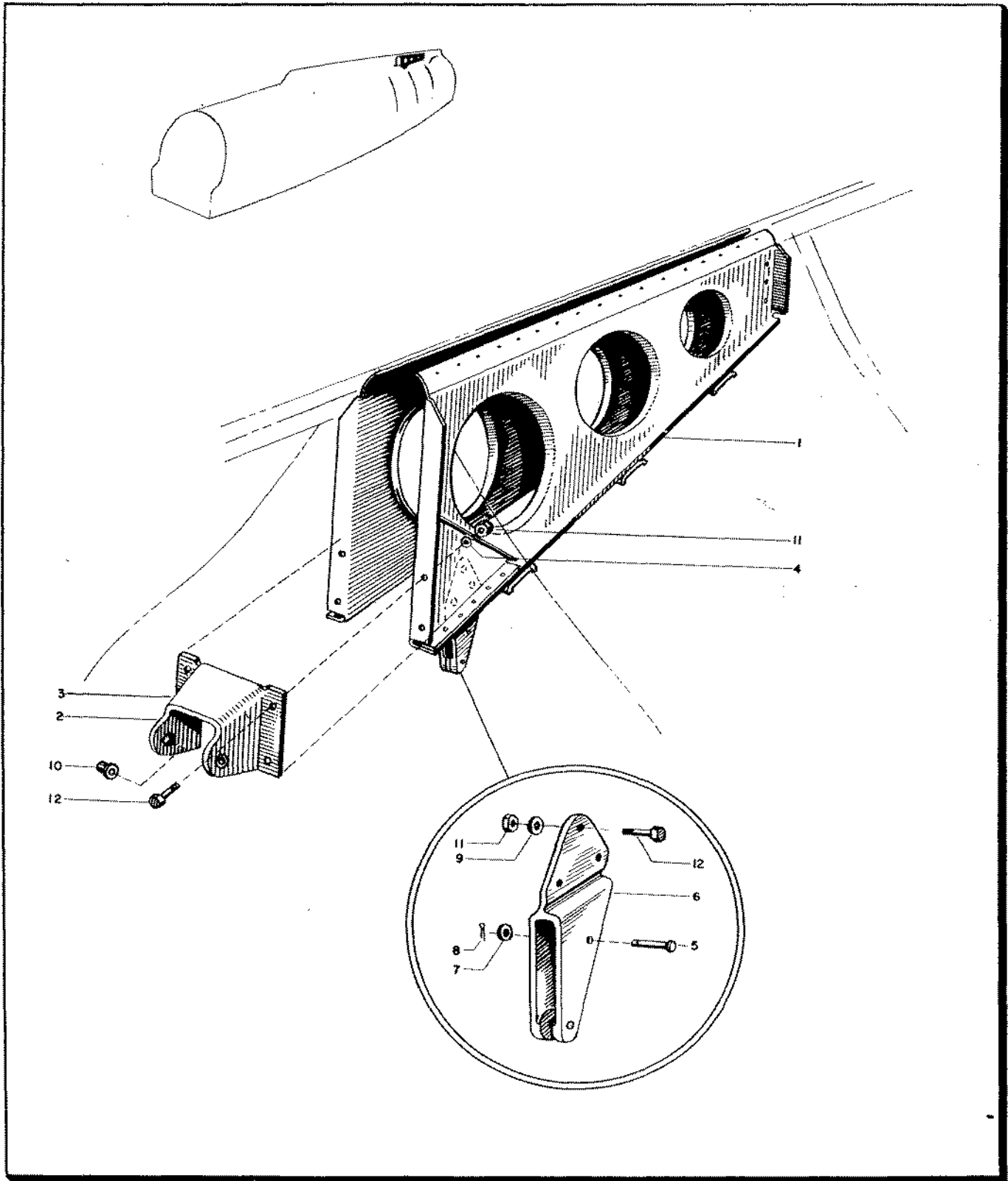


Figure 10—Elevator Lever Support

RESTRICTED
AN 01-65BC-4
SECTION II—GROUP ASSEMBLY PARTS LISTS

FIG. NO.	INDEX NO.	S T O C K E D	FUSELAGE							UNITS PER ASSY	PROPERTY CLASSIFICATION					
			GROUP			FUSELAGE					U.S. NAVY	U.S. ARMY	BRITISH			
			MAJOR ASSEMBLY		INSTALLATION	ELEVATOR	LEVER	SUPPORT	NOMENCLATURE							
PART NUMBER	1	2	3	4	5	6										
5	7		89F11150													
6	21		89F11172-11										01-N			
10	1		89F11172-2								1		01-N			
10	2		89F11172-7								1		01-N			
10	3		89F11172-1								1		01-N			
10	4		AN960-D10								4		04-A			
10	5		89F11611								1		01-N			
10	6		AN392-21								1		01-N			
10	7		AN960-4								1		04-A			
10	8		AN380-2-2								1		29			
10	9		AN960-10								3		04-A			
10	10		S-9721-3-3/32								2		01-N			
10	11		AN365-1032								3		04-A			
10	12		AN3-5A								3		04-A			

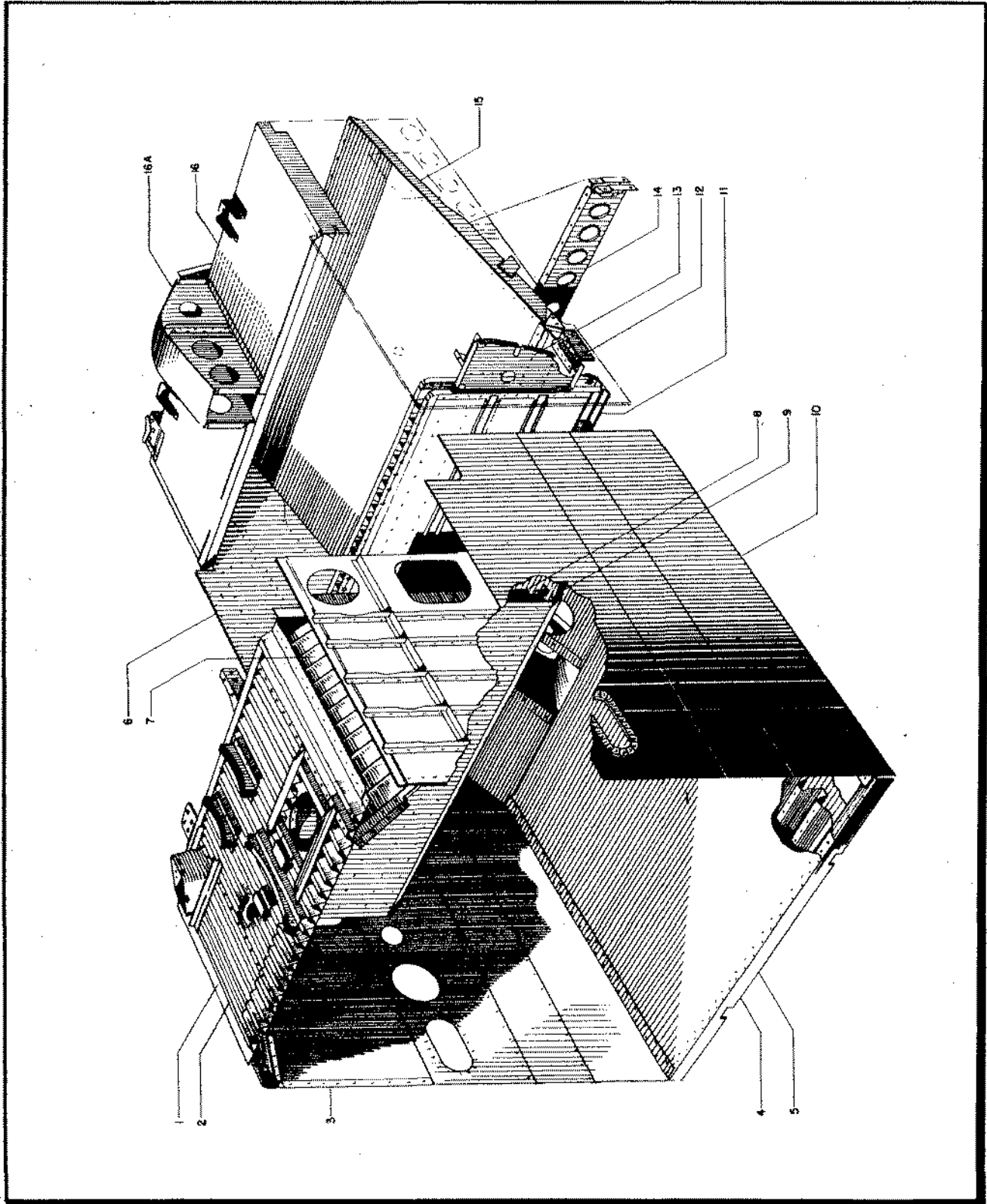


Figure 11—Main and Auxiliary Fuel Tank Panels

RESTRICTED
AN 01-65BC-4
SECTION II—GROUP ASSEMBLY PARTS LISTS

FIG. NO.	INDEX NO.	GROUP	FUSELAGE						UNITS PER ASSY	PROPERTY CLASSIFICATION				
			MAJOR ASSEMBLY INSTALLATION-MAIN & AUX. FUEL TANK PANELS							U.S. NAVY	U.S. ARMY	BRITISH		
			PART NUMBER	1	2	3	4	5					6	NOMENCLATURE
6	22	89F11175												
	11	89F11175-1												
	11	89F11175-4												
	11	89F11175-7												
	11	89F11175-8												
	11	89F11175-9												
	11	89F11197												
	11	89F11193-1												
	11	89F11193-11												
	11	89F11176-26												
	11	89F11176-27												
	11	89F11179												
	11	89F11177-51												
	11	89F11177-52												
	11	89F11177-53												
	11	89F11193-8												

Unless otherwise noted all parts are in class C1-N.

RESTRICTED
AN 01-65BC-4
SECTION II—GROUP ASSEMBLY PARTS LISTS

FIG. NO.	INDEX NO.	STOCKED	GROUP FUSELAGE						UNITS PER ASSY	PROPERTY CLASSIFICATION				
			MAJOR ASSEMBLY INSTALLATION-MAIN & AUX. FUEL TANK PANELS							U.S. NAVY	U.S. ARMY	BRITISH		
			PART NUMBER	1	2	3	4	5					6	NOMENCLATURE
11	3		89F11193-12							Installation - Side Panel Top Main (P-47D-1-RE and up)	1			
11	5		89F11175-2							Installation - Lower (P-47B)	1			
11	5		89F11175-3							Installation - Lower (P-47C)	1			
11	5		89F11175-5							Installation - Lower (P-47D-RE only)	1			
11	5		89F11175-10							Installation - Lower (P-47D-1-RE, P-47D-2-RE)	1			
11	5		89F11175-11							Installation - Lower (P-47D-5-RE and up)	1			
11	10		89F11194-28							Installation - Side Panel Bottom Main Tank (P-47B, P-47C)				
11	10		89F11194-29							Installation - Side Panel Bottom Main Tank (P-47D-1-RE and up)	1L/1R			
11	10		89F11194-30							Installation - Side Panel Bottom Main Tank (P-47D-5-RE and up)	1L			
11	6		89F11195							Installation - Side Panel Auxiliary Tank	1			
11	4		89F11190							Installation - Bottom Main Tank Panel (P-47B, P-47C, P-47D-RE, thru P-47D-2-RE)	1			
11	4		93F11190							Installation-Bottom Main Tank (P-47D-5-RE, and up)	1			
11	14		89F11198							Installation - Beam Auxiliary Tank Supt	1			
11	15		89F11701-50							Installation - Sump Support Auxiliary Tank (P-47B)	1			
11	15		89F11701-51							Installation - Sump Support Auxiliary Tank (P-47C, P-47D-RE, thru P-47D-2-RE)	1			
11	15		93F11701							Installation - Sump Support Auxiliary Tank (P-47D-5-RE and up)	1			

Unless otherwise noted all parts are in class OI-N.

RESTRICTED
AN 01-65BC-4
SECTION II—GROUP ASSEMBLY PARTS LISTS

FIG. NO.	INDEX NO.	STOCKED	GROUP						PROPERTY CLASSIFICATION				
			FUSELAGE						UNITS PER ASSY	U.S. NAVY	U.S. ARMY	BRITISH	
			MAJOR ASSEMBLY	INSTALLATION-MAIN & AUX. FUEL TANK PANELS									
PART NUMBER	1	2	3	4	5	6	NOMENCLATURE						
11	12		89F11191-50						Installation-Bottom Auxiliary Tank Panel (P-47B)	1			
11	12		89F11191-51						Installation-Bottom Auxiliary Tank Panel (P-47C)	1			
11	12		89F11191-52						Installation-Bottom Auxiliary Tank Panel (P-47D-RE, thru P-47D-2-RE)	1			
11	12		89F11191-53						Installation-Bottom Auxiliary Tank Panel (P-47D-5-RE, and up)	1			
11	13		89F11271-1						Bulkhead Auxiliary Tank	1			
11	13		89F11271-2						Bulkhead Auxiliary Tank	1			
11	16		89F11192-50						Installation - Top Auxiliary Tank Panel (P-47B)	1			
11	16A		89F11192-52						Installation - Top Auxiliary Tank Panel (P-47C, P-47D)	1			
11	11		89F11179-13						Installation - End Tank Panel Auxiliary Tank (P-47B, P-47C, P-47D-RE thru P-47D-2-RE)	1			
11	11		89F11179-14						Installation - End Tank Panel Auxiliary (P-47D-5-RE, and up)	1			

Unless otherwise noted all parts are in class 01-N

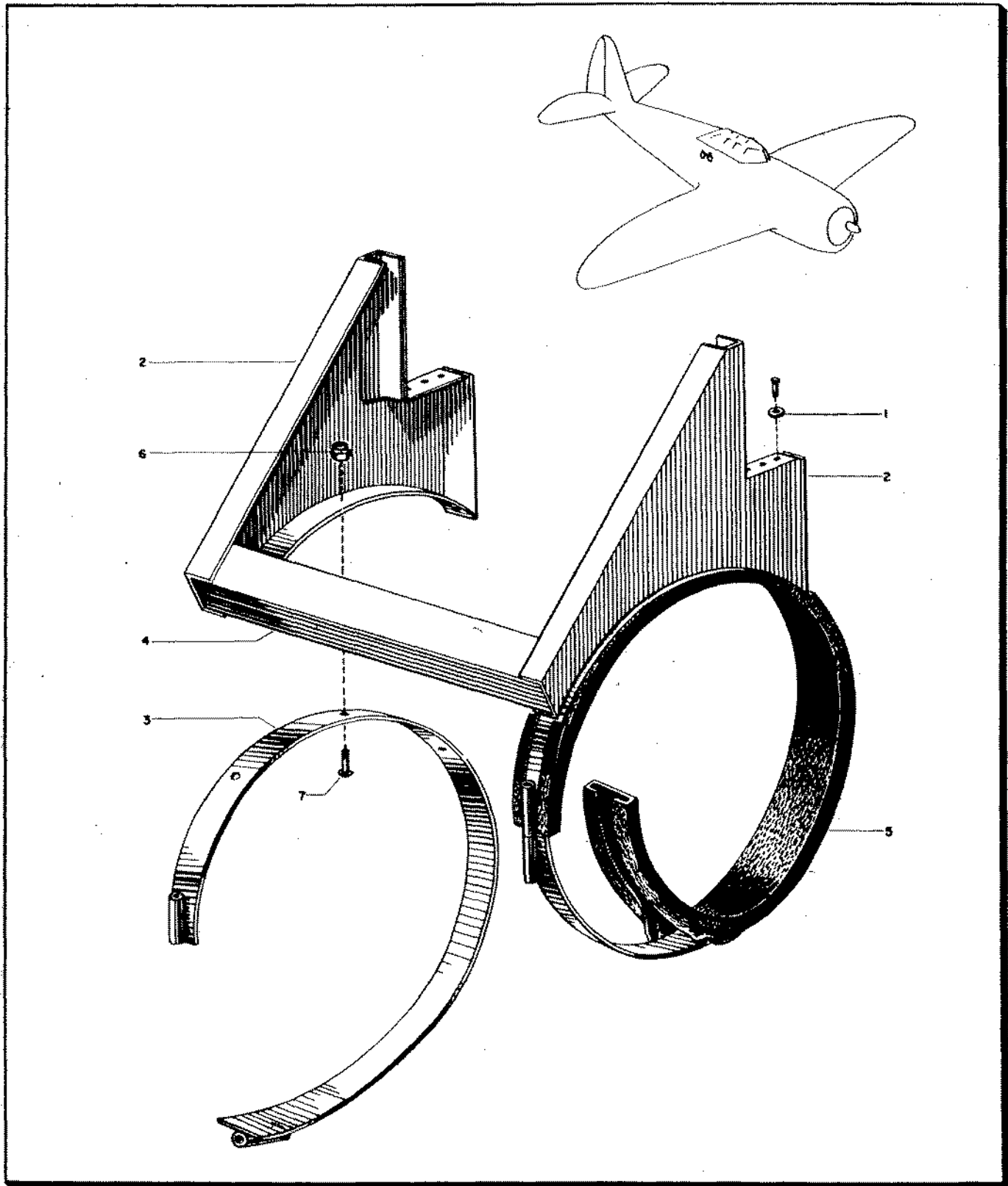


Figure 12—Supercharger Oil Tank Support

RESTRICTED
AN 01-65BC-4
SECTION II—GROUP ASSEMBLY PARTS LISTS

FIG. NO.	INDEX NO.	STOCK NO.	GROUP							FUSELAGE	UNITS PER ASSY	PROPERTY CLASSIFICATION		
			MAJOR ASSEMBLY		INSTALLATION-SUPPORT SUPERCHARGER OIL TANK							U.S. NAVY	U.S. ARMY	BRITISH
			PART NUMBER	1	2	3	4	5	6					
6	45		89F11645							Installation-Support Super-charger Oil Tank	1		01-N	
12	1		89F11645-1							Spacer	1		01-N	
12	2		89F11641							Bracket	LL/LR		01-N	
12	3		89F11642							Strap	2		01-N	
12	4		89F11643							Channell	1		01-N	
12	5		89F68108							Pad	2		01-N	
12	6		AN365-832							Nut	6		01-A	
12	7		AN526-8-7							Screw	6		29	

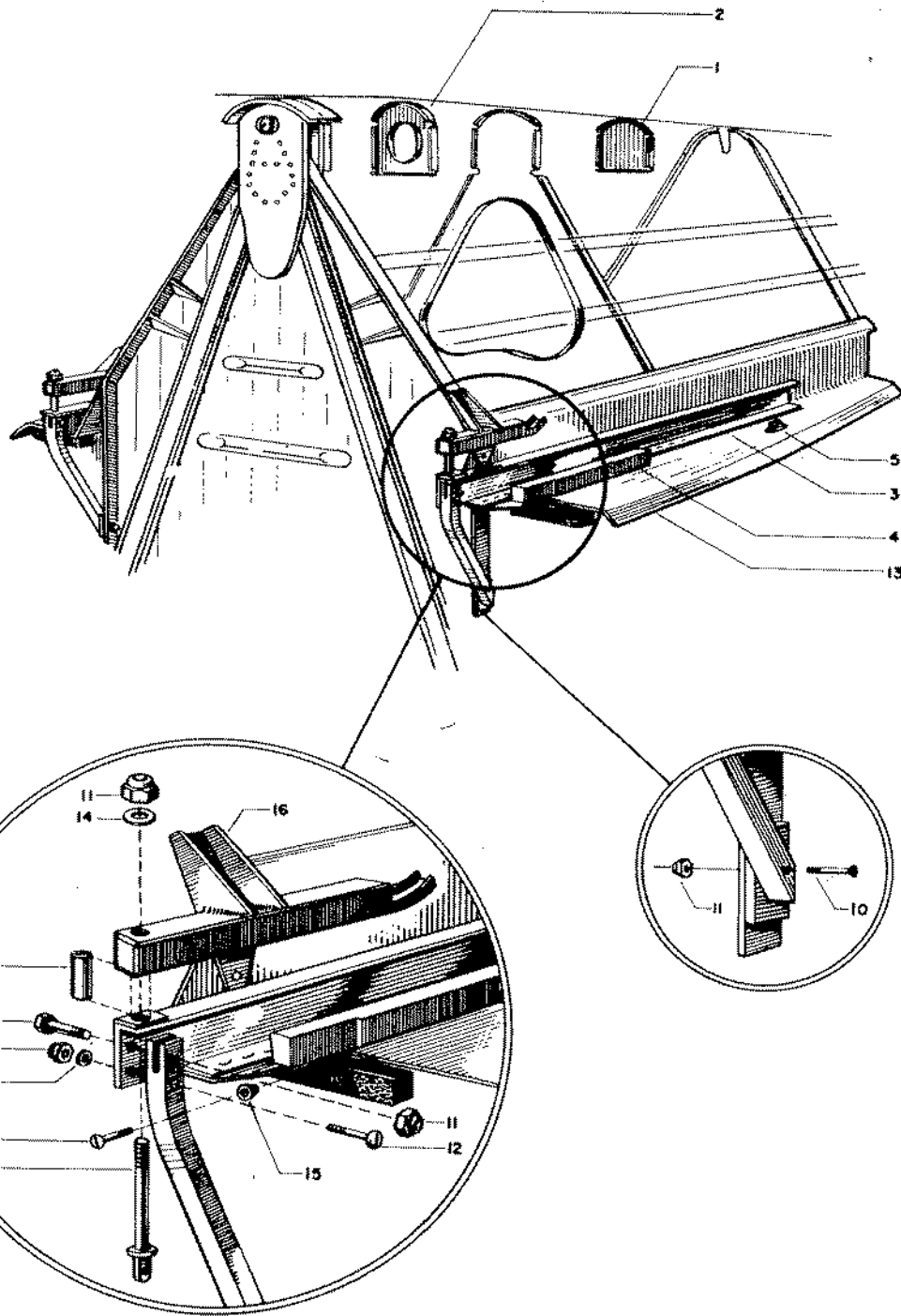


Figure 13—Turtle Deck

RESTRICTED
AN 01-65BC-4
SECTION II—GROUP ASSEMBLY PARTS LISTS

FIG. NO.	INDEX NO.	SYMBOL	GROUP		FUSELAGE						UNITS PER ASSY.	PROPERTY CLASSIFICATION			
			MAJOR ASSEMBLY		TURTLE DECK							U.S. NAVY	U.S. ARMY	BRITISH	
			PART NUMBER	1	2	3	4	5	6	NOMENCLATURE					
6	49		89F11830								Installation-Turtle Deck Fuselage	1		01-N	
13	1		89F11842								Former	1		01-N	
13	2		89F11813								Former	1		01-N	
13	3		89F11824								Rail Rear	1L/1R		01-N	
13	4		89F11828								Rail Side	1L/1R		01-N	
13	5		89F11875								Canopy Hook Install.	1L/1R		01-N	
13	6		AN960-8								Washer	2		04-A	
13	7		AN365-832								Nut	2		04-A	
13	8		AN3-7A								Bolt	2		04-A	
13	9		AN525-10-22								Screw	4		29	
13	10		AN525-10-20								Screw	2		29	
13	11		AN365-1032								Nut	14		04-A	
13	12		AN515-8-14								Screw	2		29	
13	13		89F11822-1								Shelf	1L/1R		01-N	
13	14		AN960-10								Washer	2		04-A	
13	15		89F11887-10								Bushing	4		01-N	
13	16		89F11778								Installation-Retainer Rear Canopy Roller	1L/1R		01-N	
13	17		AN42-20A								Bolt	2		04-A	
13	18		S9720-3-787								Spacer	2		01-N	

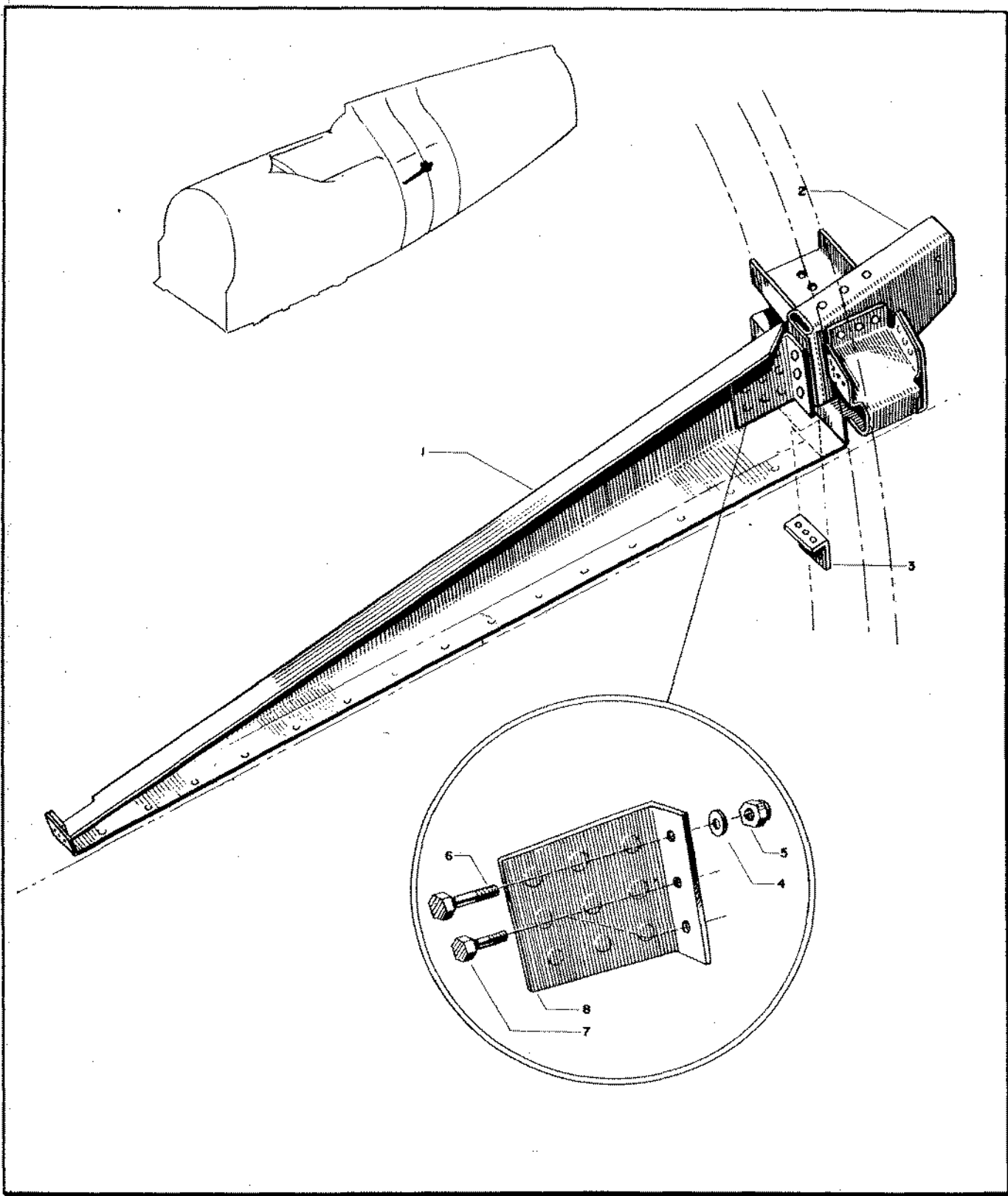


Figure 14—Tail Wheel Pulley Bracket

RESTRICTED
AN 01-65BC-4
SECTION II—GROUP ASSEMBLY PARTS LISTS

FIG. NO.	INDEX NO.	STOCKED	GROUP						UNITS PER ASSY	PROPERTY CLASSIFICATION										
			FUSELAGE							U.S. NAVY	U.S. ARMY	BRITISH								
			MAJOR ASSEMBLY INSTALL.—PULLEY BRACKET T.W. & TRIM CONTR.																	
PART NUMBER	1	2	3	4	5	6	NOMENCLATURE													
6	64							89F11898								Installation-Pulley Bracket Tail Wheel and Trim Controls	1		01-N	
14	1							89F11949								Shelf	1		01-N	
14	2							89F11947								Assembly - Bracket	1		01-N	
14	3							89F11951								Angle - Lower	1		01-N	
14	4							S-2180-D3								Washer	3		01-N	
14	5							AN365-1032								Nut	3		04-A	
14	6							AN3-6A								Bolt	1		04-A	
14	7							AN3-5A								Bolt	2		04-A	
14	8							89F11952								Angle Stiffener	1		01-N	

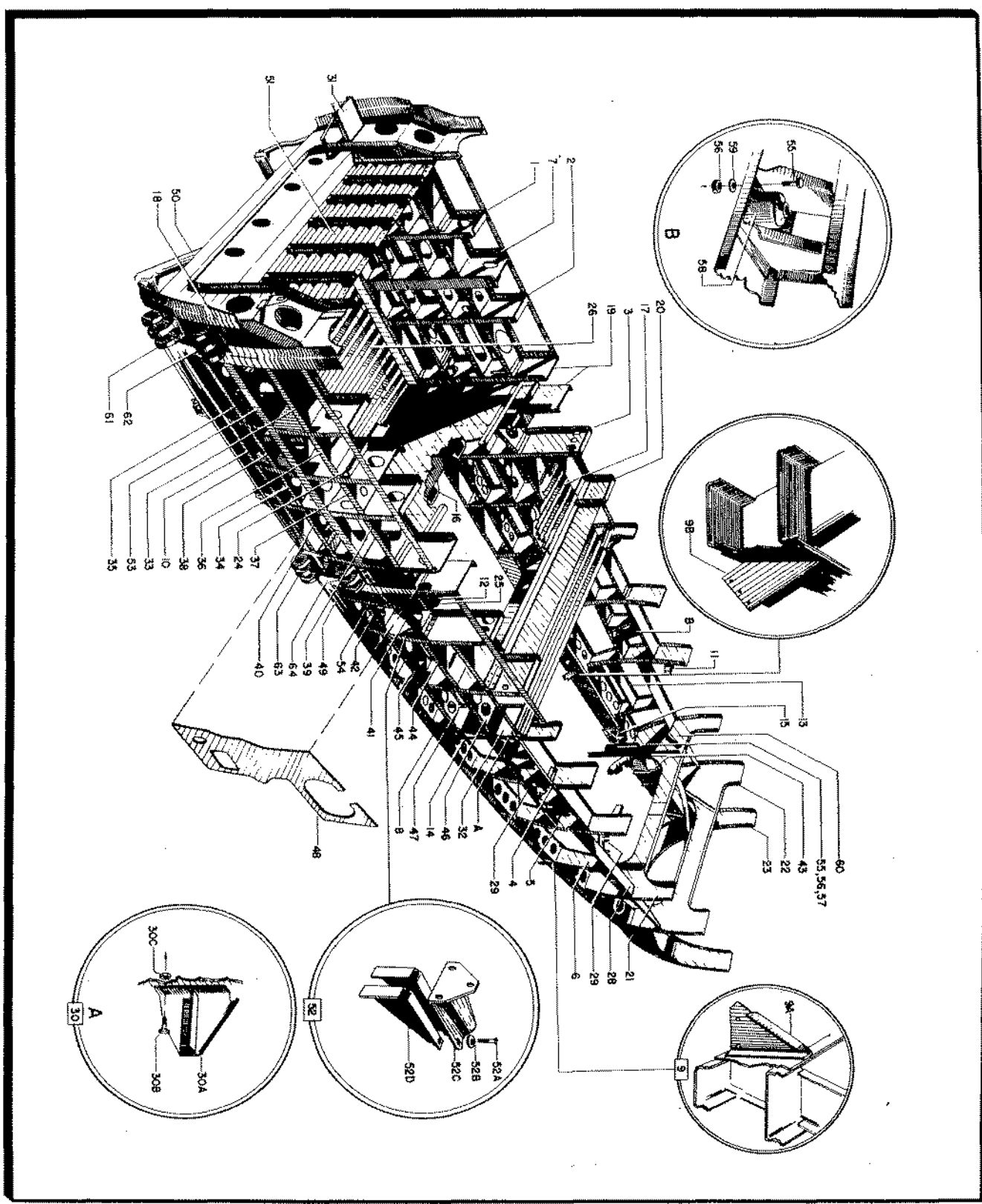


Figure 15—Bottom Frame Assembly—(Fuselage)

RESTRICTED
AN 01-65BC-4
SECTION II—GROUP ASSEMBLY PARTS LISTS

FIG. NO.	INDEX NO.	STOCK #	GROUP		FUSELAGE							UNITS PER ASSY	PROPERTY CLASSIFICATION		
			MAJOR ASSEMBLY		FRAME ASSEMBLY BOTTOM								U.S. NAVY	U.S. ARMY	BRITISH
			PART NUMBER	1	2	3	4	5	6	NOMENCLATURE					
5	21		89F11152									1			
15	1		89F11122-1									1			
15	1		89F11122-2									1			
15	2		89F11123-1									1			
15	2		89F11123-2									1			
15	3		89F11125-1									1			
15	3		89F11125-2									1			
15	4		89F11128-1									1			
15	4		89F11128-2									1			
15	5		89F11129-1									1			
15	5		89F11129-2									1			
15	6		89F11130-1									1			
15	6		89F11130-2									1			
15	6		89F11130-4									1			
15	7		89F11729-1									1			
15	7		89F11729-2									1			
15	8		89F11145-52									1L/1R			
15	8		89F11145-53									1L/1R			
15	8		93F11145									1L/1R			
15	9		89F11902-52									1L/1R			
15	9		89F11902-53									1L/1R			
15	9A		89F11932-1									1L/1R			
15	9B		89F11932-2									2L			
15	10		89F11142-50									1L/1R			
15	11		89F11604									2			
15	12		89F11409-3									1			
15	12		89F11409-2									1			
15	13		89F11603									1			
15	14		89F11742									1			
15	15		89F11602-50									1			
15	15		89F11602-51									1			
15	15		89F11602-52									1			
15	16		89F11501									1			
15	17		89F11178-3									1			
15	17		89F11178-4									1			

Unless otherwise noted all parts are in class 01-N.

RESTRICTED
AN 01-65BC-4
SECTION II—GROUP ASSEMBLY PARTS LISTS

FIG. NO.	INDEX NO.	S T O C K E D	GROUP		FUSELAGE							UNITS PER ASSY	PROPERTY CLASSIFICATION			
			MAJOR ASSEMBLY		FRAME ASSEMBLY BOTTOM								U.S. NAVY	U.S. ARMY	BRITISH	
			PART NUMBER		1	2	3	4	5	6	NOMENCLATURE					
15	17		89F11178-5									Installation-Pilot's Floor (P-47D-5-RE to P-47D-10-RE)	1			
15	17		89F11178-6									Installation-Pilot's Floor (P-47D-10-RE and up)	1			
15	17		89F11178-7									Installation-Pilot's Floor (P-47D-2-RE to P-47D-5-RE)	1			
15	18		89F11121-50									Frame 101.625 Firewall - Bottom	1			
15	18		89F11121-51									Frame 101.625-Firewall - Bottom	1			
15	19		89F11124									Assemblies	As Req.			
15	20		89F11119									Frame 180	1			
15	21		89F11131-10									Assembly (For P-47D)	1			
15	21		89F11132-10									Assembly (For P-47D)	1			
15	22		89F11132-13									Assembly 285 Fuselage-Bottom	1			
15	22		89F11132-14									Assembly 285 Fuselage-Bottom	1			
15	23		89F11133-50									Assembly 302½ Install.	1			
15	23		89F11133-52									Assembly 302½ Install. (P-47C-1-RE and up and P-47D)	1			
15	23		89F11133-53									Assembly 302½ Install.	1			
15	24		89F11803									Installation-Shear Tie Station 124-1/16	1			
15	25		89F11592									Installation-Aileron Trim Fume Proofing	1			
15	26		89F11175-2									Installation-Main and Auxiliary Tank Panels	1			
15	26		89F11175-3									Installation-Main and Auxiliary Tank Panels	1			
15	26		89F11175-5									Installation-Main and Auxiliary Tank Panels (P-47D-RE only)	1			
15	26		89F11175-10									Installation-Main and Auxiliary Tank Panels (P-47D-1-RE)	1			
15	26		89F11175-11									Installation-Main and Auxiliary Tank Panels (P-47D-5-RE and up)	1			
			89F11169-1									Installation-P-47B, P-47C and P-47D-RE only)	1			
			89F11169-2									Installation-(P-47B, P-47C and P-47D-RE only)	1			
15	28		89F11710									Installation-Intercooler Door Frame Bottom	1			
15	29		89F68103									Installation-Turbo Support Ring	1			
15	30		89F11970									Installation	1			
15	30A		89F11970-1									Installation-Pulley Bracket	1			
15	30B		89F11970-2									Installation-Pulley Bracket	1			
15	30C		89F11970-3									Installation-Pulley Bracket	1			
15	31		89F11575									Installation-Battery Support	1			
15	32		89F11127-51									Frame 197½ Fuselage Bottom (P-47C) (P-47D)	1			
15	33		89F11251-1									Diaphragm 101-5/8-116 Upper	1			
15	33		89F11251-2									Diaphragm 101-5/8-116 Upper	1			

Unless otherwise noted all parts are in class 01-N.

RESTRICTED
AN 01-65BC-4
SECTION II—GROUP ASSEMBLY PARTS LISTS

FIG. NO.	INDEX NO.	STOCKED	GROUP						PROPERTY CLASSIFICATION					
			FUSELAGE						UNITS PER ASSY	U.S. NAVY	U.S. ARMY	BRITISH		
			MAJOR ASSEMBLY		FRAME ASSEMBLY BOTTOM									
PART NUMBER		1	2	3	4	5	6	NOMENCLATURE						
15	34		89F11853-1							Diaphragm 101-5/8-116	1			
15	34		89F11853-2							Diaphragm 101-5/8-116	1			
15	35		89F11253-1							Diaphragm 101-5/8-116	1			
15	35		89F11253-2							Diaphragm 101-5/8-116	1			
15	36		89F11256-1							Diaphragm 116-132 Upper	1			
15	36		89F11256-2							Diaphragm 116-132 Upper	1			
15	37		89F11855-1							Diaphragm 116-132	1			
15	37		89F11855-2							Diaphragm 116-132	1			
15	38		89F11258-1							Diaphragm 116-132 Lower	1			
15	38		89F11258-2							Diaphragm 116-132 Lower	1			
15	39		89F11259-1							Diaphragm 132-146-3/8	1			
15	39		89F11259-2							Diaphragm 132-146-3/8	1			
15	40		89F11261-1							Diaphragm 150-3/8-164	1			
15	40		89F11261-2							Diaphragm 150-3/8-164	1			
15	41		89F11263-1							Diaphragm 150-3/8-164	1			
15	41		89F11263-2							Diaphragm 150-3/8-164	1			
15	42		89F11264-1							Diaphragm 150-3/8-164 Low	1			
15	42		89F11264-2							Diaphragm 150-3/8-164 Low.	1			
15	43		89F11166-51							Install.-Turbo Ring Support	1			
15	43		89F11166-52							Install.-Turbo Ring Support	1			
15	44		89F11266-1							Diaphragm 164-180	1			
15	44		89F11266-2							Diaphragm 164-180	1			
15	45		89F11267-1							Diaphragm 164-180 Lower	1			
15	45		89F11267-2							Diaphragm 164-180 Lower	1			
15	46		89F11269-1							Diaphragm 180-197 1/2	1			
15	46		89F11269-2							Diaphragm 180-197 1/2	1			
15	46		89F11269-6							Diaphragm 180-197 1/2	1			
15	47		89F11270-1							Diaphragm 180-197 1/2 Lower	1			
15	47		89F11270-2							Diaphragm 180-197 1/2 Lower	1			
15	48		89F11749-1							Cover Plate - 148-3/8	1			
15	49		89F11155-8							Installation-Bottom Panels	1			
15	49		89F11155-9							Installation-Bottom Panels	1			
15	50		89F11039-51							Installation-Crash Skid	1			
15	50		89F11039-52							Installation-Crash Skid	1			
15	51		89F12121-32							Frame 101-625-Firewall Bot.	1			
15	52		89F11635							Installation-Pulley Bracket	1			
15	52A		AN515-8-10							Bolt	1			
15	52B		AN960-8							Washer	1			
15	52C		89M42212							Fume Seal Pulley Bracket	1			
15	52D		89F11634							Assembly and Detail	1			
										Pulley Bracket	1			
15	53		89F11183							Installation-Second Lower	1			
15	54		89F11306-2							Tie	11/1R			
15	55		AN3-4A							Clip	10			
15	56		365-1032							Bolt	6			04-A
15	57		AN960-10L							Nut	6			04-A
15	58		200-X-P60							Washer	6			04-A
15	59		AN960D10							Lord Mounting	4			04-B
15	60		89F11629							Washer	6			04-A
REF			89F11143							Installation-Pulley Brkt.	11/1R			
15	61		89F11987-2							Cross Tie Assembly-99-5/8	2			
15	62		89F11988							Hinge Fitting	2			
REF			89F11144							Hinge Fitting	2			
15	63		89F11989							Cross Tie Assembly-148-3/8	2			
15	64		89F11990							Hinge Fitting	2			

Unless otherwise noted all parts are in class 01-N.

THE PART NUMBER APPEARING AFTER "REF." IN THE "FIG. NO." COLUMN IS USED FOR BREAKDOWN PURPOSES ONLY AND IS NOT TO BE ORDERED AS A PART.

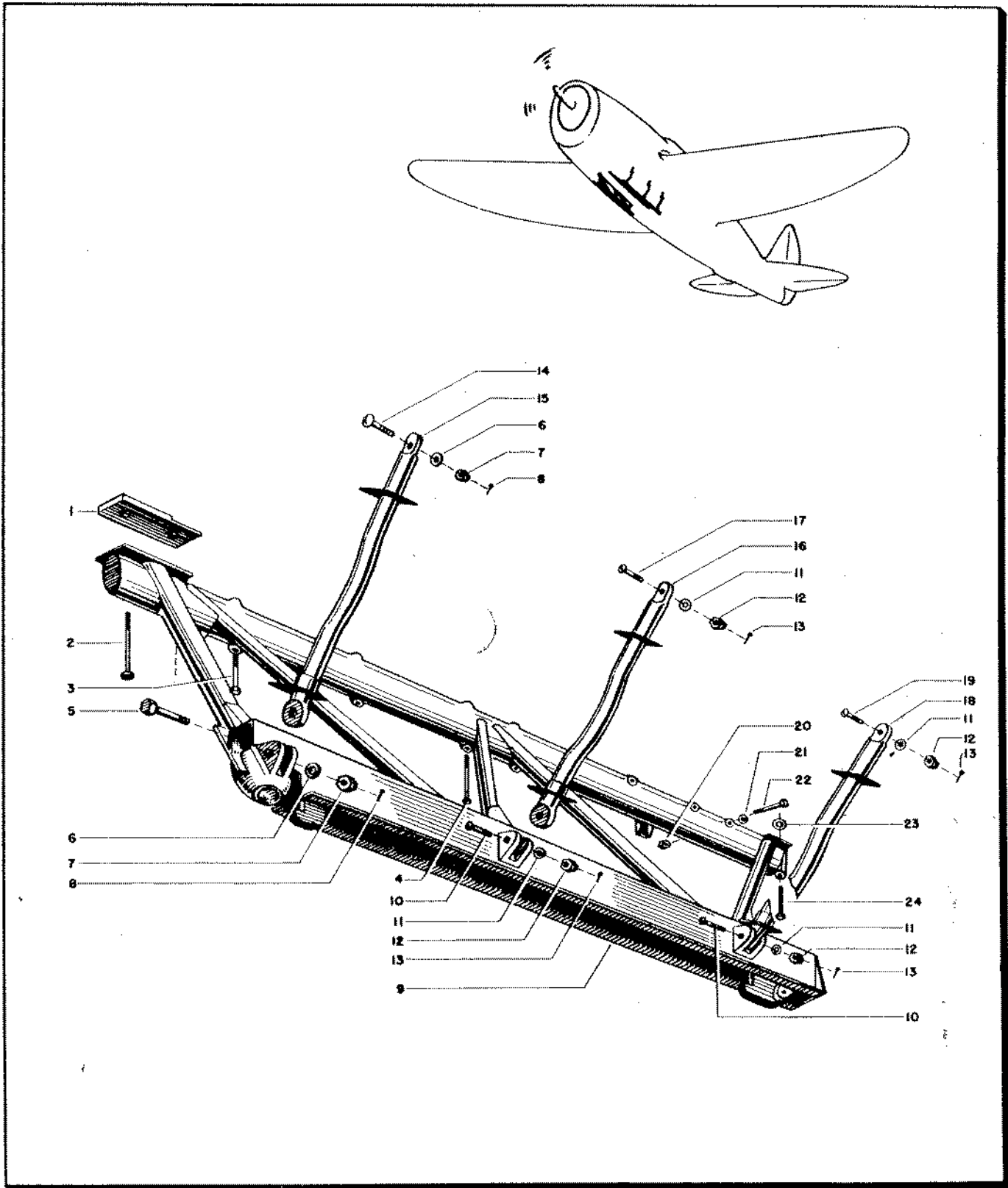


Figure 16—Crash Skid

SECTION II—GROUP ASSEMBLY PARTS LISTS

FIG. NO.	INDEX NO.	S T O C K E D	GROUP FUSELAGE						UNITS PER ASSY	PROPERTY CLASSIFICATION											
			MAJOR ASSEMBLY	INSTALLATION CRASH SKID						U.S. NAVY	U.S. ARMY	BRITISH									
				PART NUMBER	1	2	3	4					5	6	NOMENCLATURE						
15	50		89F11039														Installation Crash Skid		01-N		
16	1		89F11850-52														Shim - Crash Skid - Fuselage	2		01-N	
16	2		AN6-34A														Bolt	4		04-A	
16	3		AN3-25A														Bolt	4		04-A	
16	4		AN3-26A														Bolt	4		04-A	
16	5		AN9-15														Bolt	2		04-A	
16	6		AN960-916														Washer	4		04-A	
16	7		AN320-9														Nut	4		04-A	
16	8		AN380-4-4														Cotter	4		29	
16	9		89F11041-52														Crash Skid Assembly	11/BR		01-N	
16	10		AN26-19														Bolt - Clevis	4		04-A	
16	11		AN960-616														Washer	8		04-A	
16	12		AN320-6														Nut	8		04-A	
16	13		AN380-3-3														Cotter	8		29	
16	14		AN29-25														Bolt - Clevis	2		04-A	
16	15		89F11328														Strut - Assembly -Crash Skid station 99-5/8 Fuselage	2		01-N	
16	16		89F11042														Strut - Assembly -Crash Skid station 116 - Fuselage	2		01-N	
16	17		AN26-17														Bolt - Clevis	2		04-A	
16	18		89F11036														Strut - Assembly -Crash Skid station 132 Fuselage	2		01-N	
16	19		AN26-23														Bolt - Clevis	2		04-A	
16	20		AN364-1032														Nut	6		04-A	
16	21		AN960-10L														Washer	6		04-A	
16	22		AN3-14A														Bolt	6		04-A	
16	23		89F11851-2														Spacer - Crash Skid Fuselage	2		01-N	
16	24		AN7-30A														Bolt	2		04-A	

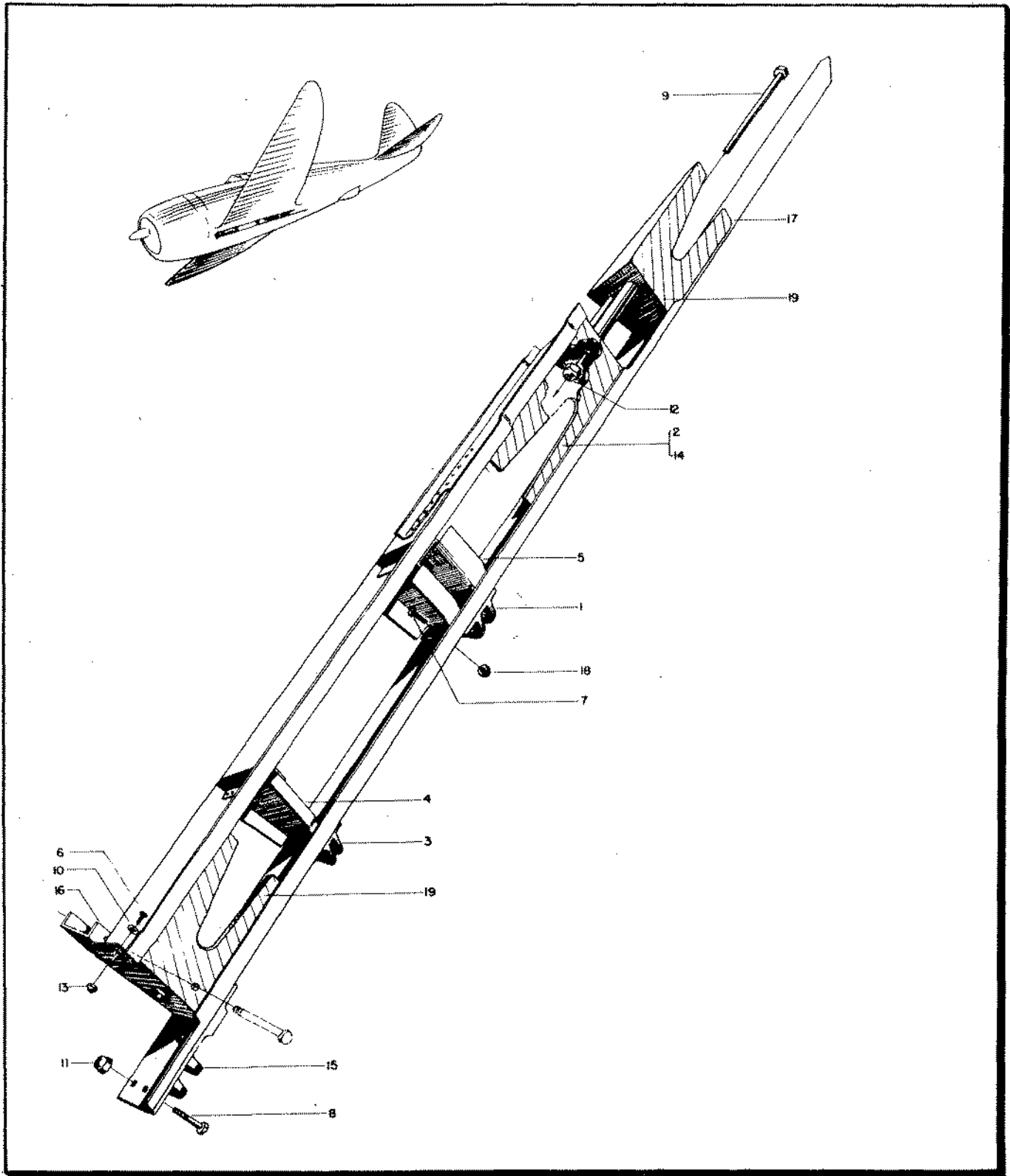


Figure 17—Lower Tie

SECTION II—GROUP ASSEMBLY PARTS LISTS

FIG. NO.	INDEX NO.	STOCKED	GROUP						UNITS PER ASSY	PROPERTY CLASSIFICATION											
			MAJOR ASSEMBLY		INSTALLATION LOWER TIE					U.S. NAVY	U.S. ARMY	BRITISH									
			PART NUMBER	1	2	3	4	5					6	NOMENCLATURE							
15	10		89F11142															Installation Lower Tie Fuselage			01-N
17	1		89F11035															Fitting	1		01-N
17	2		89F11209															Fitting	2L/1R		01-N
17	3		89F11334															Fitting	1		01-N
17	4		89F11708															Bulkhead Assembly	1L		01-N
17	5		89F11034															Bulkhead Assembly	1L		01-N
17	6		AN3-7A															Bolt	2		04-A
17	7		AN4-7A															Bolt	4		04-A
17	8		AN5-12A															Bolt	4		04-A
17	9		AN6-57A															Bolt	4		04-A
17	10		AN960-D10															Washer	2		04-A
17	11		365-524															Nut	4		04-A
17	12		365-624															Nut	4		04-A
17	13		365-1032															Nut	2		04-A
17	14		89F12070															Fitting	2L/1R		01-N
17	15		89F12059															Fitting	1L		01-N
17	16		89F11283-3															Fitting Assembly - Engine Bolt Lower Tie -Fuselage	1		01-N
17	17		89F11764															Spacer	2		01-N
17	18		365-428															Nut	4		04-A
17	19		89F11209															Fitting-Lower Tie Fuselage	1L		01-N

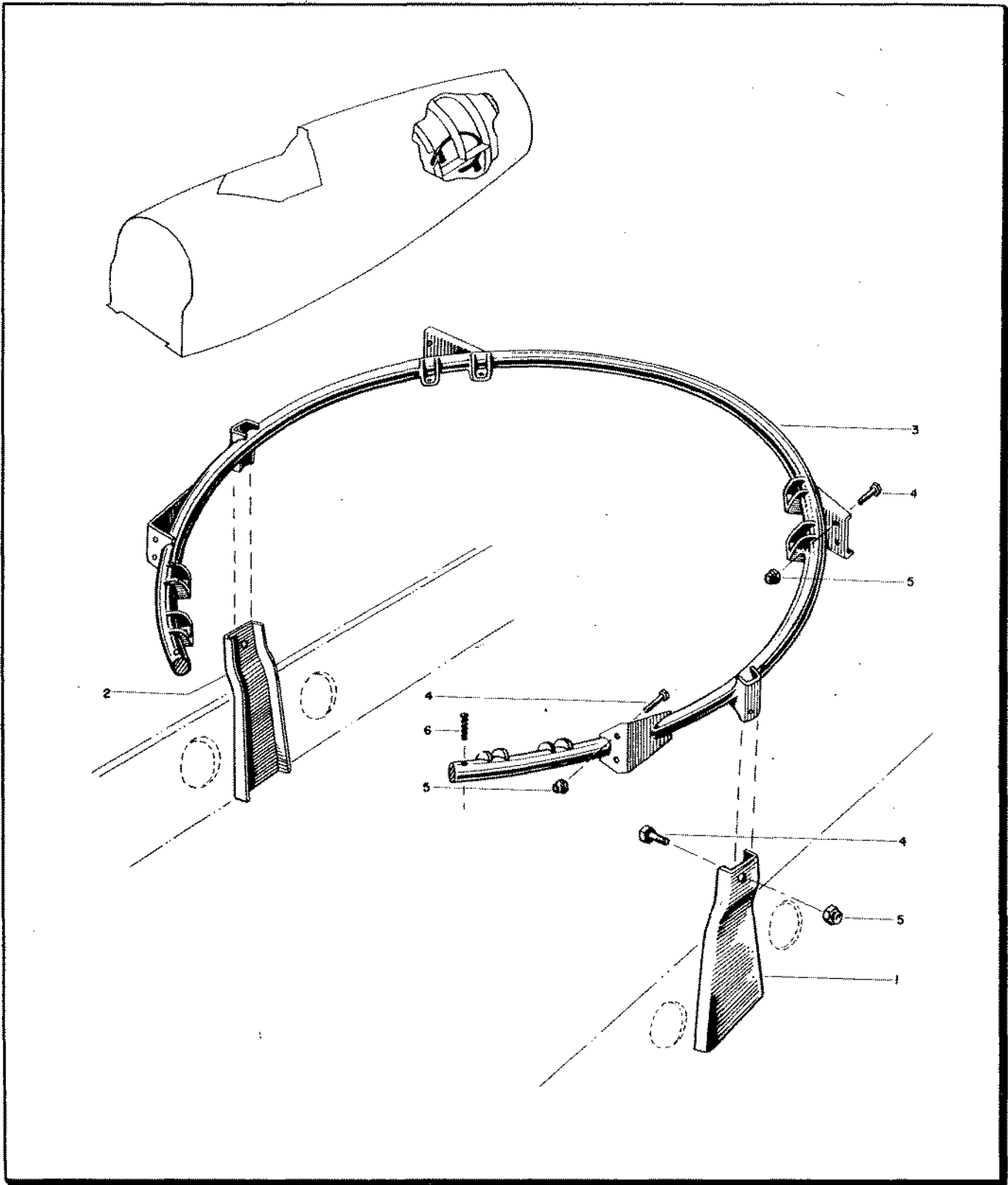
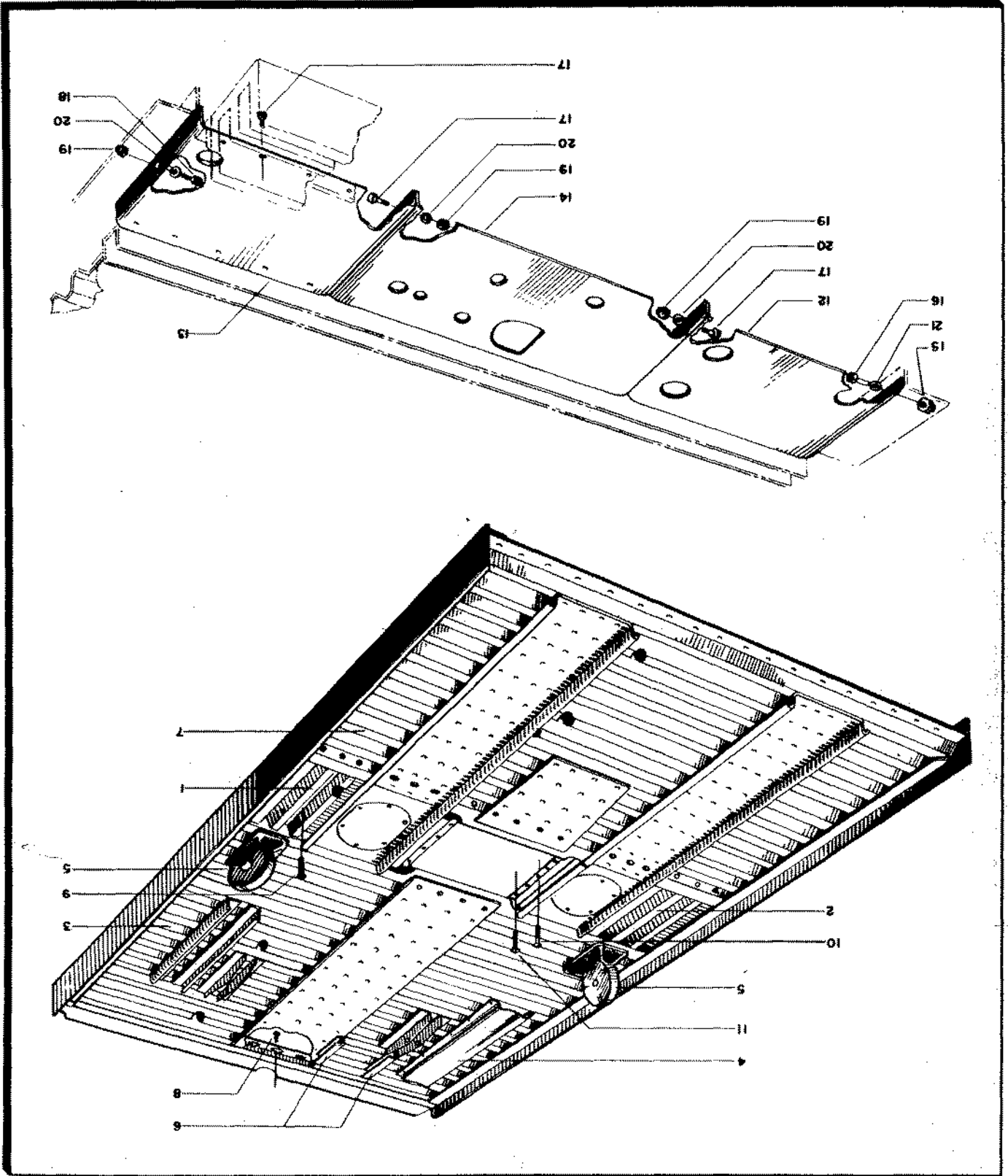


Figure 18—Turbo Support Ring

RESTRICTED
AN 01-65B0-4
SECTION II—GROUP ASSEMBLY PARTS LISTS

FIG. NO.	INDEX NO.	STOCKED	GROUP						UNITS PER ASSY	PROPERTY CLASSIFICATION		
			FUSELAGE							U.S. NAVY	U.S. ARMY	BRITISH
			MAJOR ASSEMBLY INSTALLATION TURBO RING SUPPORT									
PART NUMBER	1	2	3	4	5	6	NOMENCLATURE					
15	43							Installation Turbo Ring Support Fuselage	1		01-N	
18	1							Bracket	1		01-N	
18	2							Bracket	1		01-N	
Ref.								Installation Turbo Support Ring				
18	3							Welded Assembly	1		01-N	
18	4							Bolt	10		04-A	
18	5							Nut	10		04-A	
18	6							Screw	2		29	
<p>THE PART NUMBER APPEARING AFTER "REF." IN THE "FIG.NO." COLUMN IS USED FOR BREAK-DOWN PURPOSES ONLY, AND IS NOT TO BE ORDERED AS A PART.</p>												

Figure 19—Pilot's Floor and Bottom Panels



Section II
Group Assembly Parts List

RESTRICTED
AN 01-65BC-4

RESTRICTED
AN 01-65BC-4

SECTION II—GROUP ASSEMBLY PARTS LISTS

FIG. NO.	INDEX NO.	STOCKED	GROUP						UNITS PER ASSY	PROPERTY CLASSIFICATION		
			FUSELAGE							U.S. NAVY	U.S. ARMY	BRITISH
			MAJOR ASSEMBLY		INSTALLATION PILOT'S FLOOR							
PART NUMBER	1	2	3	4	5	6	NOMENCLATURE					
15	7		89F11178-3						Installation-Pilot's Floor (P-47B, P-47C-RE, P-47C-1-RE, P-47C-2-RE)	1		
15	7		89F11178-4						Installation-Pilot's Floor (P-47C-5-RE up to P-47D-2-RE)	1		
15	7		89F11178-5						Installation-Pilot's Floor (P-47D-5-RE and P-47D-10-RE)	1		
15	7		89F11178-6						Installation-Pilot's Floor (P-47D-10-RE and up)	1		
15	7		89F11178-7						Installation-Pilot's Floor (P-47D-2-RE)	1		
19	1		89F11242-1						Panel Assembly-L.H. Center	1		
19	2		89F11242-2						Panel Assembly-R.H. Center	1		
19	3		89F11243-11						Panel Assembly-Aft (P-47B, P-47C-RE, P-47C-1-RE, P-47C-2-RE)	1		
19	3		89F11243-12						Panel Assembly-Aft (P-47C-5-RE to P-47D-5-RE)	1		
19	3		89F11243-14						Panel Assembly-Aft (P-47D-5-RE)	1		
19	3		89F11243-18						Panel Assembly-Aft (P-47D-10-RE and up)	1		
19	4		89F38375						Installation-Hydraulic Equalizer Cylinder	1		
19	5		89F11506						Installation-Rudder Pulley Bracket	1		
19	6		89F11668						Installation-Pyrotechnic Support	1		
19	7		89F11237-4						Panel Assembly-Forward (P-47B, P-47C, P-47D, P-47D-1-RE)	1		
19	7		89F11237-5						Panel Assembly-Forward (P-47D-5-RE and up)	1		
19	7		89F11237-8						Panel Assembly-Forward (P-47D-2-RE)	1		
19	8		AN525-10-6						Screw	4		29
19	9		AN525-10-8						Screw	8		29
19	10		AN525-10-9						Screw	34		29
19	11		AN525-10-10						Screw	4		29
15	49		89F11155-8						Installation-Bottom Panel (P-47B)	1		
15	49		89F11155-9						Installation-Bottom Panel (P-47C, P-47D)	1		
19	12		89F11155-1						Right Panel	1		
19	13		89F11155-2						Left Panel	1		
19	14		89F11088-50						Center Panel Assembly (P-47B)	1		
19	14		89F11088-51						Center Panel Assembly (P-47C, P-47D)	1		
19	15		AN365-428						Nut	2		04-A
19	16		AN4-5A						Bolt	2		04-A
19	17		AN3-4A						Bolt	39		04-A
19	18		AN3-5A						Bolt	4		04-A
19	19		AN365-1032						Stop Nut	10		04-A
19	20		AN960-10L						Washer	10		04-A
19	21		AN960-416L						Washer	2		04-A

Unless otherwise noted all parts are in Class 01-N.

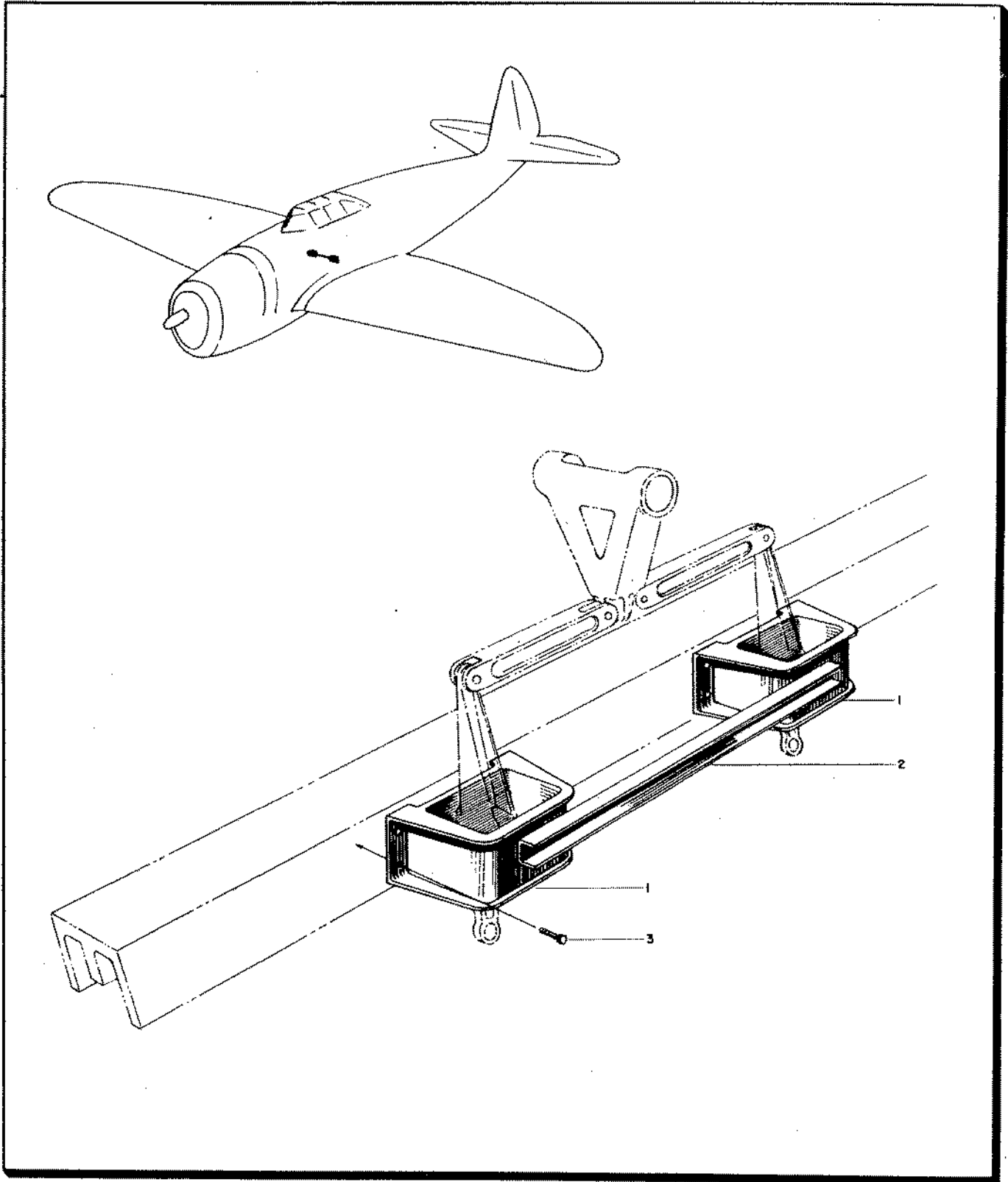


Figure 20—Aileron Control Lever Bracket

RESTRICTED
AN 01-65BC-4

SECTION II—GROUP ASSEMBLY PARTS LISTS

FIG. NO.	INDEX NO.	S T O C K E D	GROUP FUSELAGE						UNITS PER ASSY	PROPERTY CLASSIFICATION			
			MAJOR ASSEMBLY INSTALLATION AILERON CONTROL LEVER BRACKET							U.S. NAVY	U.S. ARMY	BRITISH	
			PART NUMBER	1	2	3	4	5					6
15	16		89F11501							1		01-N	
20	1		89F11538							2		01-N	
20	2		89F11792							1		01-N	
20	3		AN3-7A							8		04-A	

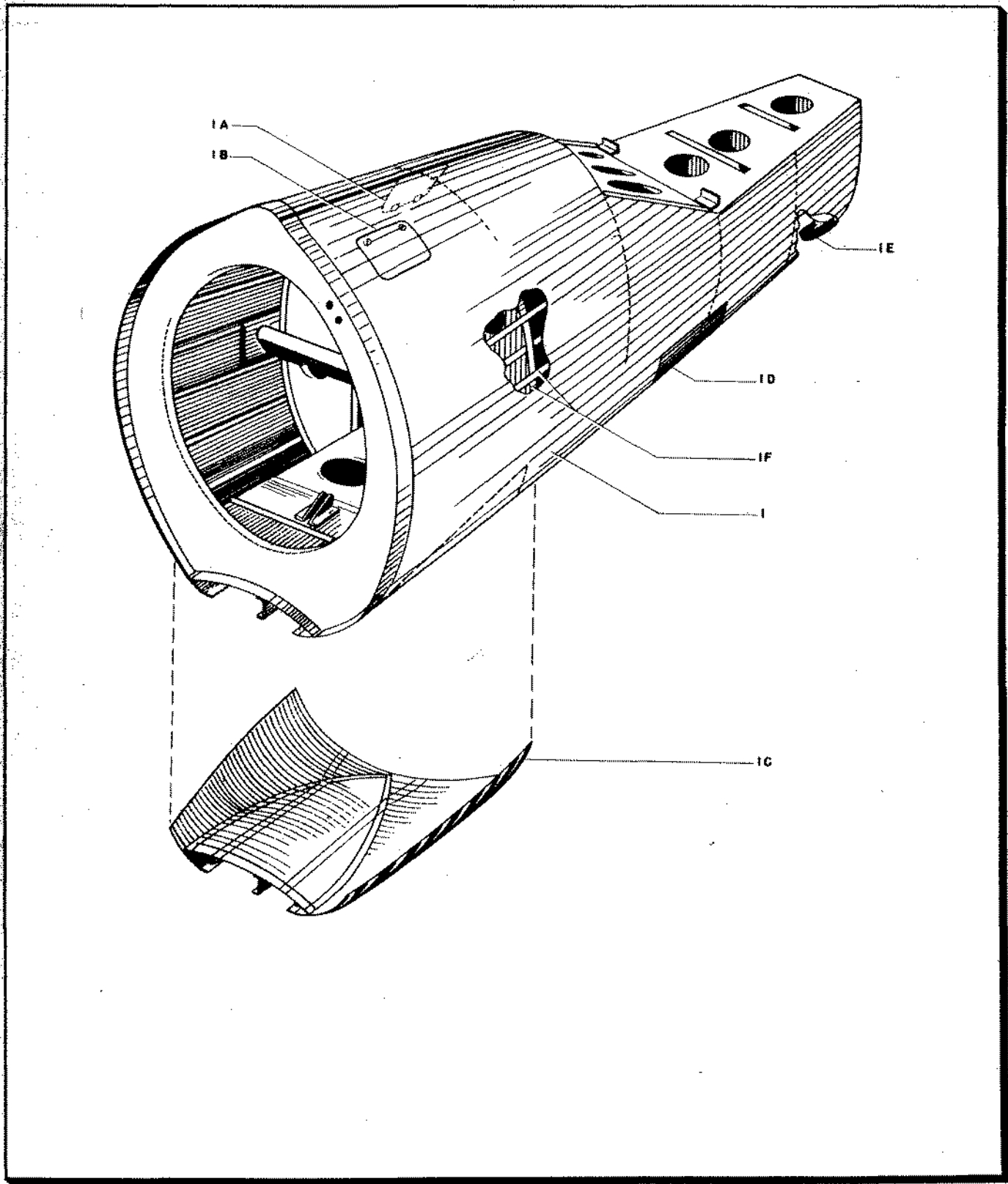


Figure 21—Fuselage Assembly (Tail)

SECTION II—GROUP ASSEMBLY PARTS LISTS

FIG. NO.	INDEX NO.	STOCK KEYED	GROUP						FUSELAGE						PROPERTY CLASSIFICATION				
			MAJOR ASSEMBLY			FUSELAGE ASSEMBLY			TAIL			UNITS PER ASSY	U.S. NAVY	U.S. ARMY	BRITISH				
			PART NUMBER	1	2	3	4	5	6	NOMENCLATURE									
3	2		89F11002																
21	1		89F11052-50											1					
21	1		89F11052-51											1					
21	1		89F11052-52											1					
21	1		89F11052-53											1					
21	1A		89F11782											1					
21	1B		89F11716-4											1					
21	1C		89F11188											1					
Ref.			89F12066																
21	1D		89F12066-1											1					
Ref.			89F11168																
21	1E		89F11285											1					
21	1F		89F11154-50											1					
21	1F		89F11154-51											1					
21	1F		89F11154-52											1					
21	1F		89F11154-73											1					
			<p>THE PART NUMBER APPEARING AFTER "REF." IN THE "FIG. NO." COLUMN IS USED FOR BREAK-DOWN PURPOSES ONLY, AND IS NOT TO BE ORDERED AS A PART.</p>																

Unless otherwise noted all parts are in class 01-N.

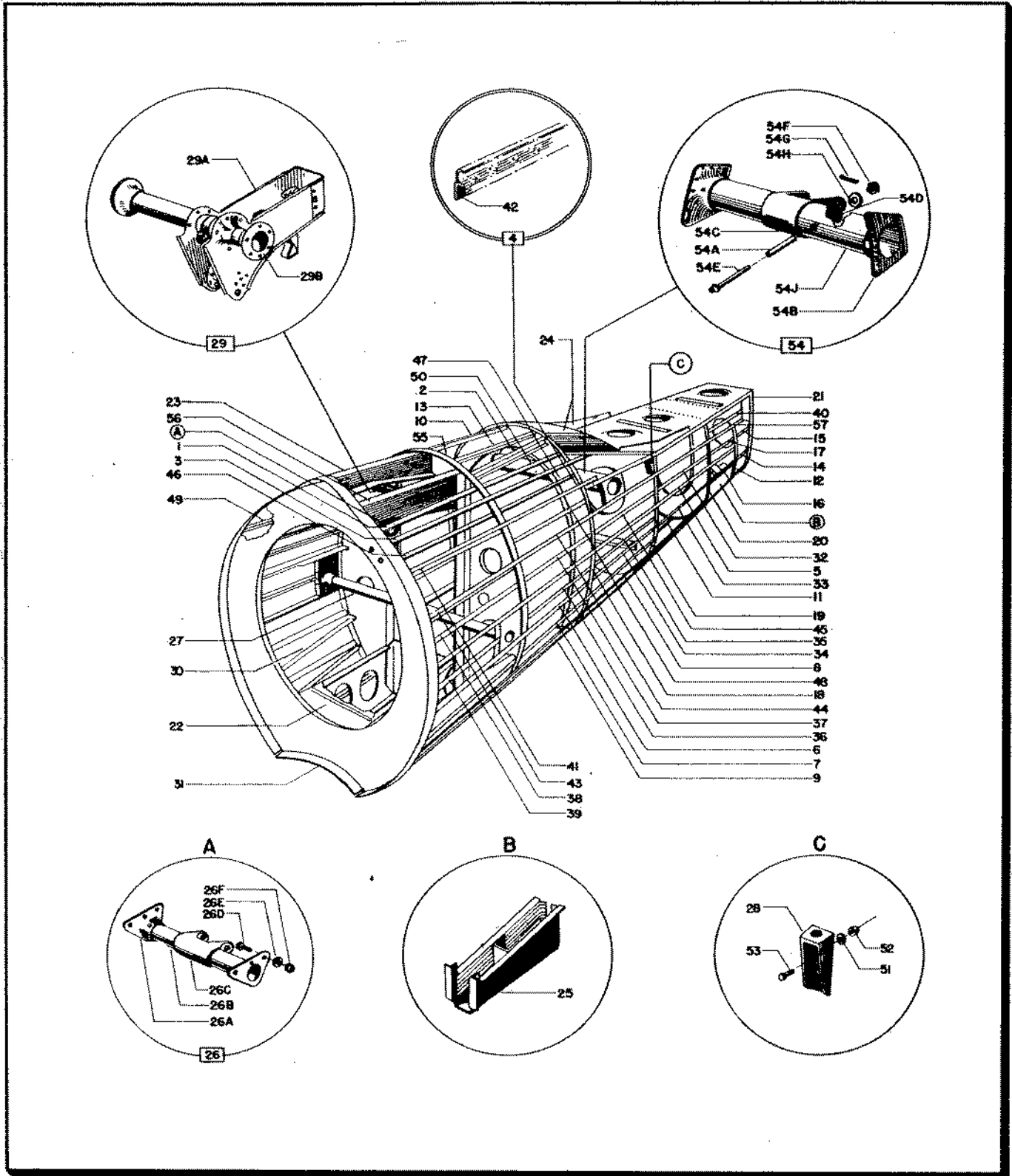


Figure 22—Frame Assembly (Tail)

RESTRICTED
AN 01-65BC-4
SECTION II—GROUP ASSEMBLY PARTS LISTS

FIG. NO.	INDEX NO.	SYMBOL	GROUP	FUSELAGE						UNITS PER ASSY	PROPERTY CLASSIFICATION										
				MAJOR ASSEMBLY	FRAME ASSEMBLY - TAIL						U.S. NAVY	U.S. ARMY	BRITISH								
					PART NUMBER	1	2	3	4					5	6	NOMENCLATURE					
21	1F		89F11154																		
22	1		89F11154-1																		
22	1		89F11154-2																		
22	2		89F11154-3																		
22	2		89F11154-4																		
22	3		89F11154-5																		
22	3		89F11154-6																		
22	4		89F11154-7																		
22	4		89F11154-8																		
22	5		89F11154-11																		
22	5		89F11154-12																		
22	6		89F11154-13																		
22	6		89F11154-14																		
22	7		89F11154-15																		
22	7		89F11154-16																		
22	7		89F11154-17																		
22	8		89F11154-18																		
22	9		89F11154-19																		
22	9		89F11154-20																		
22	10		89F11154-21																		
22	11		89F11154-22																		
22	12		89F11154-25																		
22	12		89F11154-26																		
22	13		89F11154-27																		
22	13		89F11154-28																		
22	14		89F11154-29																		
22	14		89F11154-30																		
22	15		89F11154-31																		
22	15		89F11154-32																		
22	16		89F11154-33																		
22	16		89F11154-34																		
22	17		89F11154-35																		
22	17		89F11154-36																		
22	18		89F11115																		
22	19		89F11116																		
22	20		89F11117																		
22	21		89F11118																		
22	22		89F11161-52																		
22	23		89F11162-50																		
22	23		89F11162-52																		
22	24		89F11165																		
22	25		89F11167																		
22	26		89F11173																		
22	26A		89F11229																		
22	26B		89F11173-2																		
22	26C		89F11228																		
22	26D		AN4-5A																		
22	26E		AN960-416																		
22	26F		AN365-428																		

Unless otherwise noted all parts are in class 01-N.

RESTRICTED
AN 01-65BC-4
SECTION II—GROUP ASSEMBLY PARTS LISTS

FIG. NO.	INDEX NO.	GROUP	FUSELAGE						UNITS PER ASSY	PROPERTY CLASSIFICATION				
			MAJOR ASSEMBLY		FRAME ASSEMBLY - TAIL						U.S. NAVY	U.S. ARMY	BRITISH	
			PART NUMBER	1	2	3	4	5		6				NOMENCLATURE
22	27	89F11187								1				
22	28	89F11220								2				
22	29	89F11516								1				
22	29A	89M42146								1				
22	29B	89M42156								1				
22	30	89F11713-1								11/1R				
22	31	89F11134-7								1				
22	32	89F11154-37								1				
22	32	89F11154-38								1				
22	33	89F11154-39								1				
22	33	89F11154-40								1				
22	34	89F11154-41								1				
22	34	89F11154-42								1				
22	35	89F11154-43								1				
22	35	89F11154-44								1				
22	36	89F11154-45								1				
22	36	89F11154-46								1				
22	37	89F11154-47								1				
22	37	89F11154-48								1				
22	38	89F11154-53								1				
22	38	89F11134-54								1				
22	39	89F11154-55								1				
22	39	89F11154-56								1				
22	40	89F11154-57								1				
22	40	89F11154-58								1				
22	41	89F11154-59								1				
22	42	89F11154-60								1				
22	43	89F11154-61								1				
22	44	89F11154-62								1				

Unless otherwise noted all parts are in class 01-N.

RESTRICTED
AN 01-65BC-4

SECTION II—GROUP ASSEMBLY PARTS LISTS

FIG. NO.	INDEX NO.	S S O C I E T Y	GROUP						UNITS PER ASSY	PROPERTY CLASSIFICATION		
			FUSELAGE							U.S. NAVY	U.S. ARMY	BRITISH
			MAJOR ASSEMBLY		FRAME ASSEMBLY - TAIL							
PART NUMBER	1	2	3	4	5	6	NOMENCLATURE					
22	45							Stringer - Left Hand	1		01-N	
22	45							Stringer - Right Hand	1		01-N	
22	46							Stringer - Left Hand	1		01-N	
22	46							Stringer - Right Hand	1		01-N	
22	47							Stringer - Left Hand	1		01-N	
22	47							Stringer - Right Hand	1		01-N	
22	48							Stringer - Left Hand	1		01-N	
22	49							Stringer - Right Hand	1		01-N	
22	50							Stringer - Left Hand	1		01-N	
22	50							Stringer - Right Hand	1		01-N	
22	51							Washer	10		04-A	
22	52							Nuts	10		04-A	
22	53							Bolts	10		04-A	
22	54							Installation - Elevator Lever Support	1		01-N	
22	54A							S-9746-10-3-5/16 Spacer	1		01-N	
22	54B							89F11287 Bracket	1L/1R		01-N	
22	54C							89F11288 Bracket	1		01-N	
22	54D							89F11201 Block	1		01-N	
22	54E							AN44-36 Bolt - Eye	1		04-A	
22	54F							AN310-5 Nut	1		04-A	
22	54G							AN380-2-2 Cotter Pin	1		29	
22	54H							AN960-516 Washer	1		04-A	
22	54J							89F11174-1 Tube	1		01-N	
22	55							89F11114-12 Frame 321 Assembly	1		01-N	
22	56							89F11160-52 Installation-Upper Tail wheel Fitting Brace	1		01-N	
22	56							89F11160-53 Installation-Upper Tail wheel Fitting Brace	1		01-N	
22	57							89F11154-9 Frame Assembly-Tail-Fusel.	1		01-N	
22	57							89F11154-10 Frame Assembly-Tail-Fusel.	1		01-N	

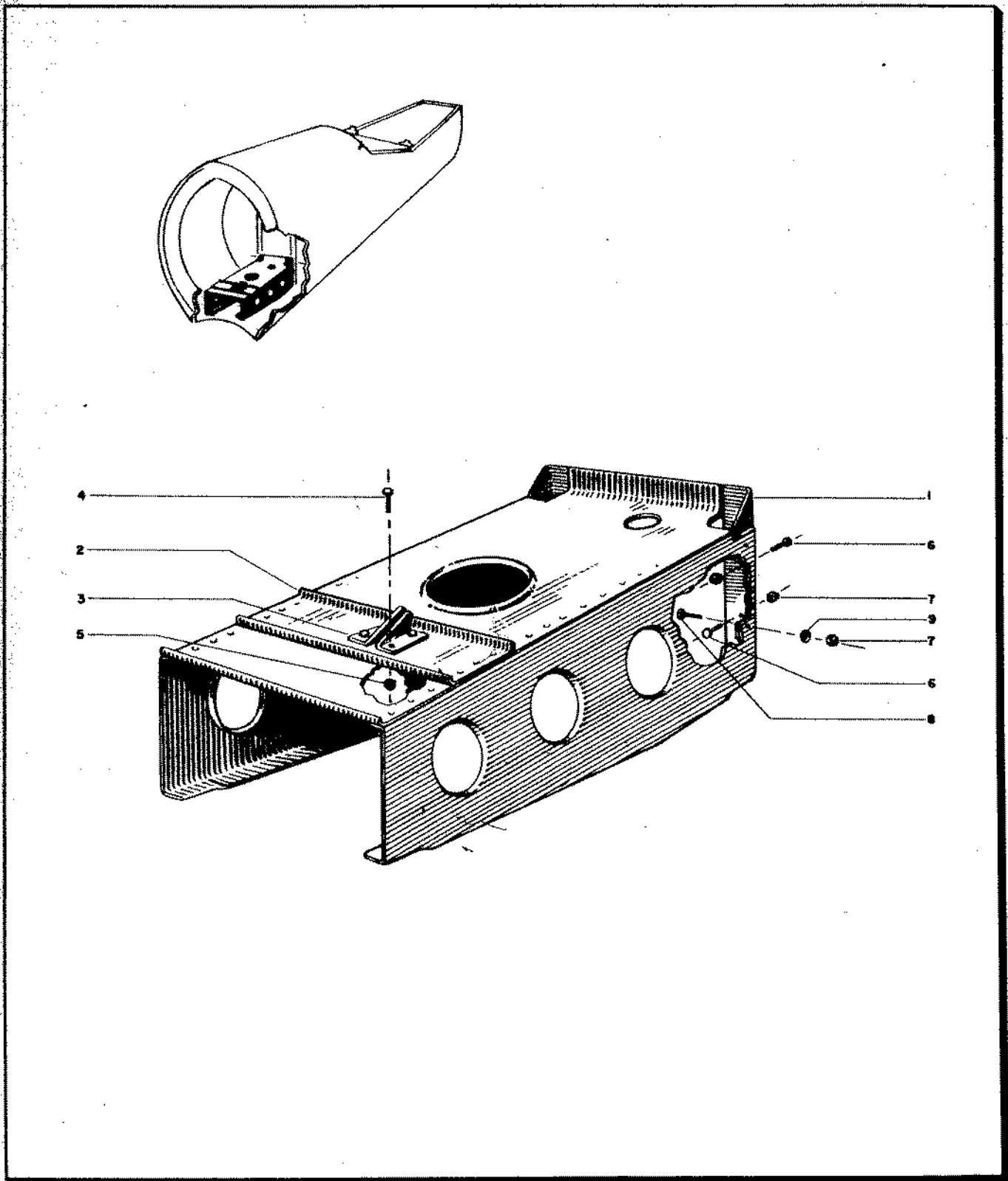


Figure 23—Tail Wheel Fitting Brace

SECTION II—GROUP ASSEMBLY PARTS LISTS

FIG. NO.	INDEX NO.	SYMBOL	GROUP						PROPERTY CLASSIFICATION												
			MAJOR ASSEMBLY		FUSELAGE				UNITS PER ASSY	U.S. NAVY	U.S. ARMY	BRITISH									
			PART NUMBER	1	2	3	4	5					6	NOMENCLATURE							
22	22		89F11161														Tail Wheel Fitting Brace			01-N	
23	1		89F11161-3									1					Angle (P-47B)			01-N	
23	2		89F11161-5									1					Channel (P-47C, P-47D)			01-N	
23	3		89M42353									1					Bracket (P-47C, P-47D)			01-N	
23	4		AN3-4A									4					Bolt (P-47C, P-47D)			04-A	
23	5		AN365-1032									4					Nut (P-47C, P-47D)			04-A	
23	6		AN4-6A									6					Bolt			04-A	
23	7		AN365-428									16					Lock nut			04-A	
23	8		AN4-7A									10					Bolt			04-A	
23	9		AN960-416L									10					Washer			04-A	

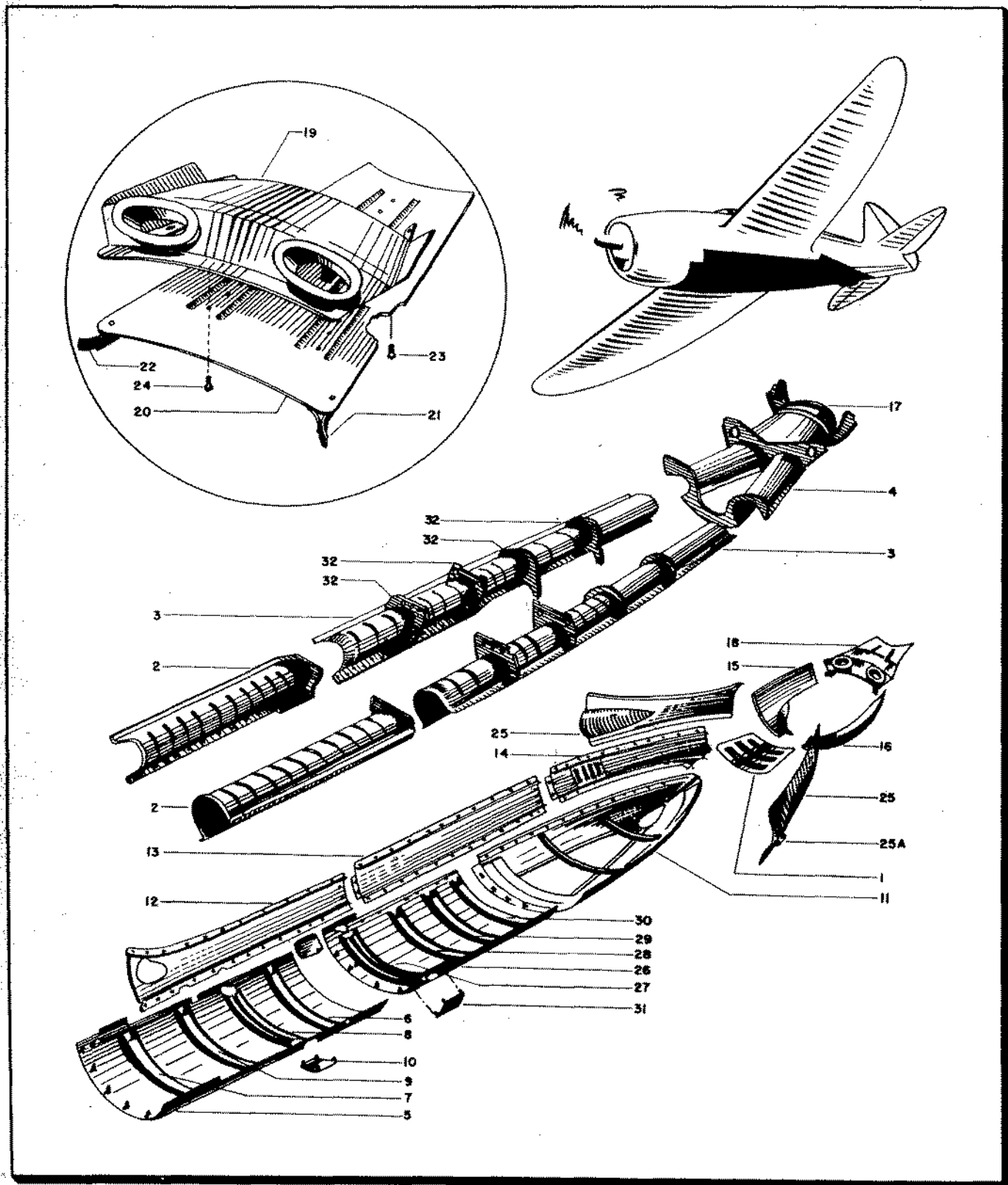


Figure 24—Bottom Cowl and Exhaust Shroud Assembly

RESTRICTED

AN 01-65BC-4
SECTION II—GROUP ASSEMBLY PARTS LISTS

FIG. NO.	INDEX NO.	SYMBOL	GROUP						UNITS PER ASSY	PROPERTY CLASSIFICATION								
			FUSELAGE							U.S. NAVY	U.S. ARMY	BRITISH						
			MAJOR ASSEMBLY BOTTOM COWL AND EXHAUST SHROUD ASSEMBLY															
PART NUMBER			1	2	3	4	5	6	NOMENCLATURE									
3	6		89F12010															
26	9		89F11915									1						
24	1		89F11915-4									1						
24	2		89F12006									LL/LR						
24	2		89F12006-18									LL/LR						
24	3		89F11904-53									LL/LR						
24	3		89F11904-52									LL/LR						
24	4		89F11905-52									LL/LR						
24	5		89F12007									1						
24	5		89F12007-16									1						
24	6		89F12007-3									1						
24	7		89F12007-4									1						
24	8		89F12007-12									1						
24	9		89F12007-13									1						
24	10		89F12097									LL/LR						
24	11		89F11910-51									1						
24	11		89F11910-52									1						
24	12		89F12008									1						
24	12		89F12008-5									1						
24	13		89F11913									LL/LR						
24	14		89F11914									1						
Ref.			89F11916									1						
24	15		89F11916-14									1						
24	16		89F11916-15									1						
24	17		89F11938									1						
24	18		89F11942									1						
24	19		89F11942-1									1						
24	20		89F11942-2									1						
24	21		89F11942-19									1						
24	22		89F11942-20									1						
24	23		AN525-10-8									9						
24	24		AN525-10-7									27						
24	25		89F11911-6									LL/LR						
24	25		89F11061									1						
24	26		89F11909-52									1						
24	27		89F11909-2									1						
24	28		89F11909-3									1						
24	29		89F11909-4									1						
24	30		89F11909-5									1						
24	31		89F12098									1						
24	32		89F11030									1						
			THE PART NUMBER APPEARING AFTER "REF." IN THE "FIG.NO." COLUMN IS USED FOR BREAK-DOWN PURPOSES ONLY, AND IS NOT TO BE ORDERED AS A PART.															

Unless otherwise noted all parts are in class 01-N.

29
29

RESTRICTED

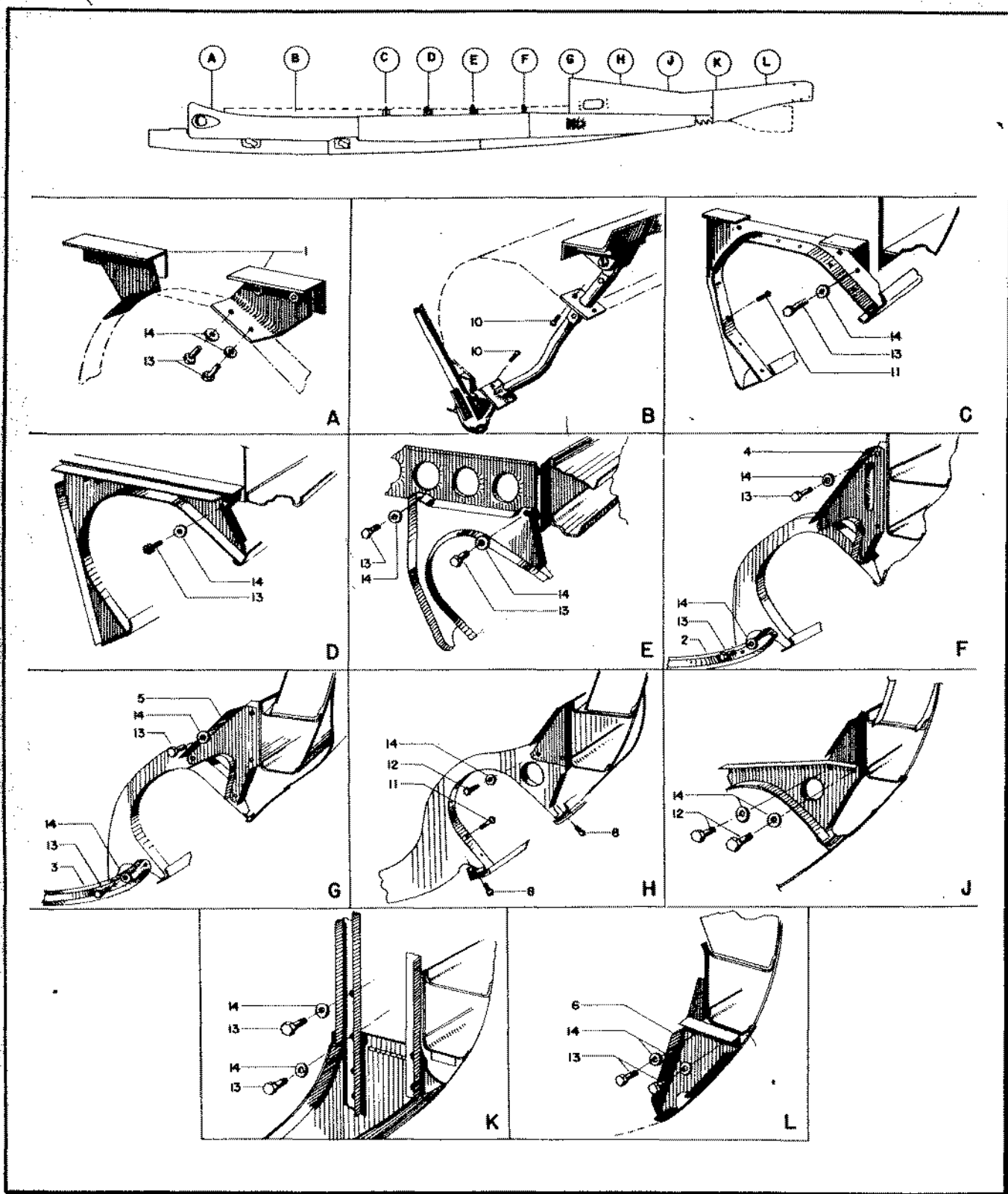


Figure 25—Details Bottom Cowl and Exhaust Shroud

RESTRICTED
AN 01-65BC-4
SECTION II—GROUP ASSEMBLY PARTS LISTS

FIG. NO.	INDEX NO.	STOCK NO.	GROUP						FUSELAGE		PROPERTY CLASSIFICATION			
			MAJOR ASSEMBLY INSTALL. DETAILS—BOTTOM COWL & EXHAUST SHROUD						UNITS PER ASSY	U.S. NAVY	U.S. ARMY	BRITISH		
			PART NUMBER	1	2	3	4	5					6	NOMENCLATURE
24	32		89F11030								1		01-N	
25	1		89F12030								LL/LR		01-N	
25	2		89F11921								1		01-N	
25	3		89F11923								1		01-N	
25	4		89F11929-1								LL/LR		01-N	
25	5		89F11930								LL/LR		01-N	
25	6		89F11933-51								LL/LR		01-N	
25	6		89F11933-52								LL/LR		01-N	
			89F11929								1		01-N	
25	8		S-52-10-1								24		01-N	
25	9		AN525-10-10								75		29	
25	10		AN520C10-8								48		29	
25	11		AN526C1032-8								46		29	
25	12		AN3-3A								7		04-A	
25	13		AN3-4A								65		04-A	
25	14		AN960-10								80		04-A	

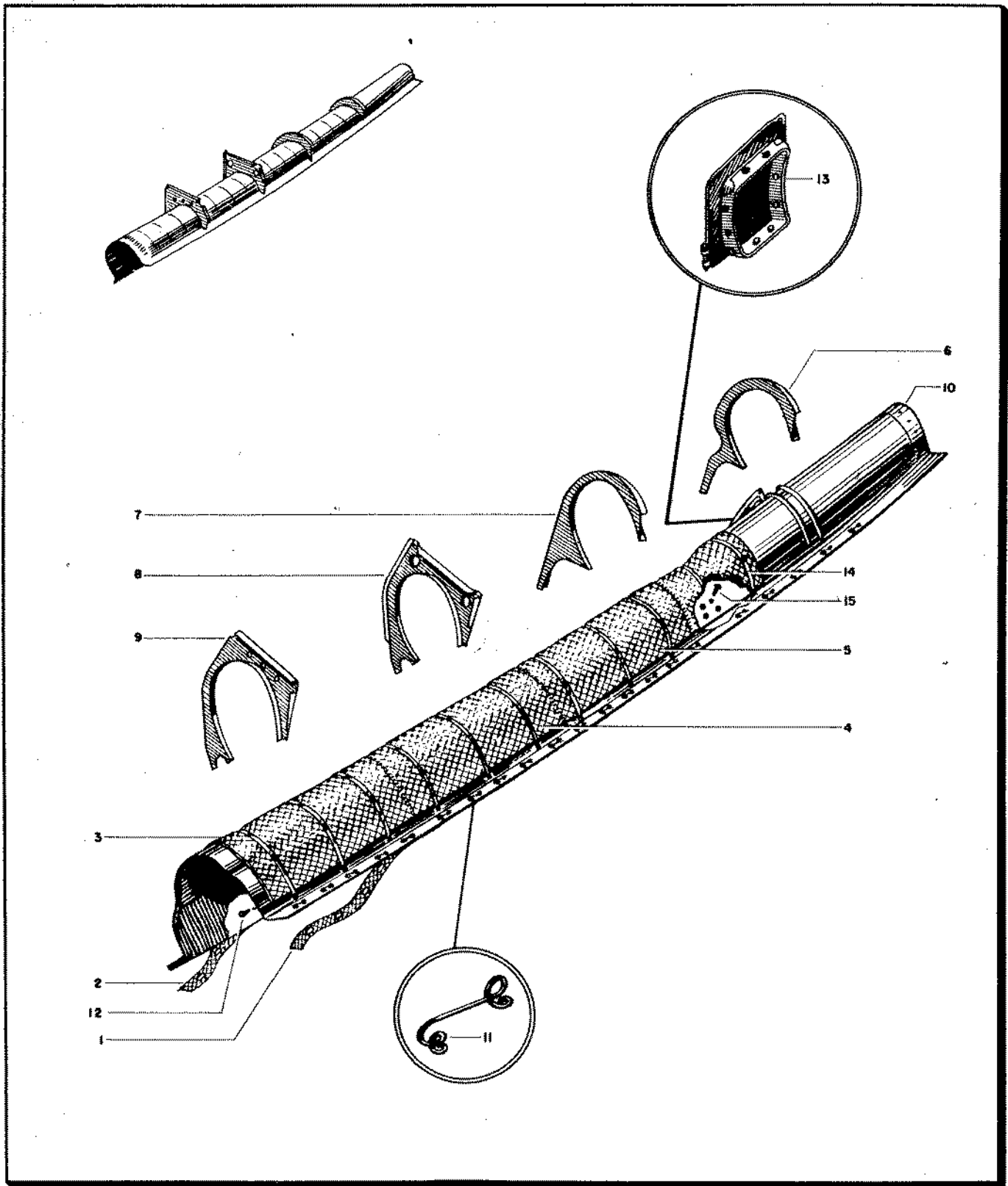
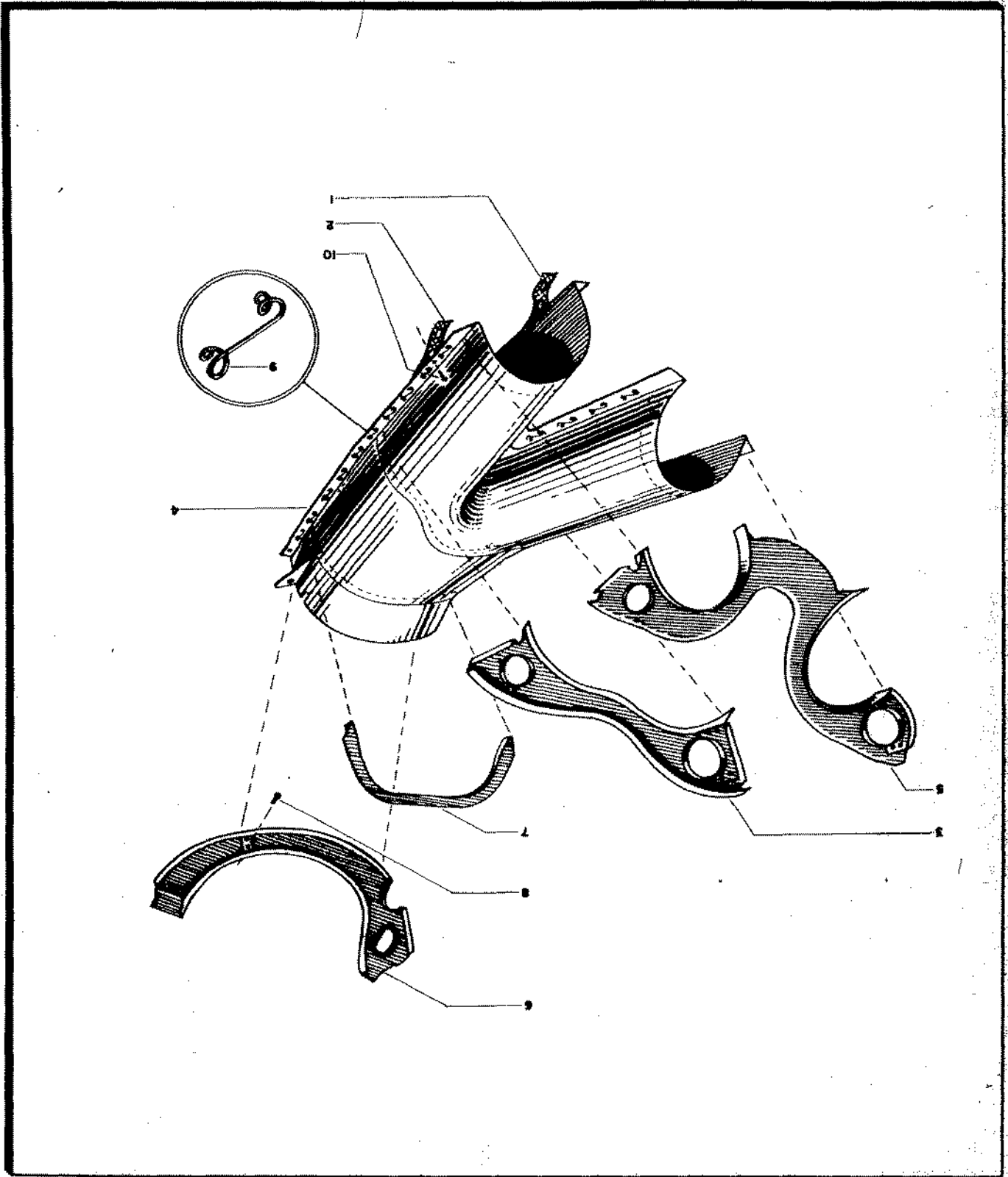


Figure 26—Shroud Assembly

RESTRICTED
AN 01-65BC-4
SECTION II—GROUP ASSEMBLY PARTS LISTS

FIG. NO.	INDEX NO.	STOCKED	GROUP		FUSELAGE							UNITS PER ASSEY	PROPERTY CLASSIFICATION					
			MAJOR ASSEMBLY		SHROUD ASSEMBLY								U.S. NAVY	U.S. ARMY	BRITISH			
			PART NUMBER		1	2	3	4	5	6	NOMENCLATURE							
24	3		89F11904															
26	1		89F11904-3										1					Unless otherwise noted all parts are in class 01-N.
26	2		89F11904-4										1					
26	3		89F11904-6										1					
26	4		89F11904-7										1					
26	5		89F11904-8										1					
26	6		89F11922										1					
26	7		89F11920										1					
26	8		89F11919										1					
26	9		89F11918										1					
26	10		89F11906-5										1					
26	10		89F11906-6										1					
26	10		89F11906-7										1					
26	11		35B1406-3										56		04-A			
26	12		AN515-8-7										22		29			
26	13		89F68371										1					
26	14		89F11904-11										1					
26	15		AN526C-832-8										4		29			

Figure 27—Shroud Assembly



RESTRICTED
AN 01-65BC-4
SECTION II—GROUP ASSEMBLY PARTS LISTS

FIG. NO.	INDEX NO.	S T O C K E D	GROUP		FUSELAGE						UNITS PER ASSY	PROPERTY CLASSIFICATION				
			MAJOR ASSEMBLY		SHROUD ASSEMBLY							U.S. NAVY	U.S. ARMY	BRITISH		
			PART NUMBER		1	2	3	4	5	6					NOMENCLATURE	
24	4		89F11905-52									1				Unless otherwise noted all parts are in class 01-N.
27	1		89F11905-7									2				
27	2		89F11905-8									2				
27	3		89F11925-1									1				
27	3		89F11925-4									1				
27	4		89F11907-7									1				
27	4		89F11907-8									1				
27	5		89F11924-8									1				
27	5		89F11924-1									1				
27	6		89F11926-2									1				
27	6		89F11926-1									1				
27	7		89F11939									1				
27	8		AN526C1032-6									13			29	
27	9		35B1406-3									27			04-A	
27	10		P6155R1									11			29	

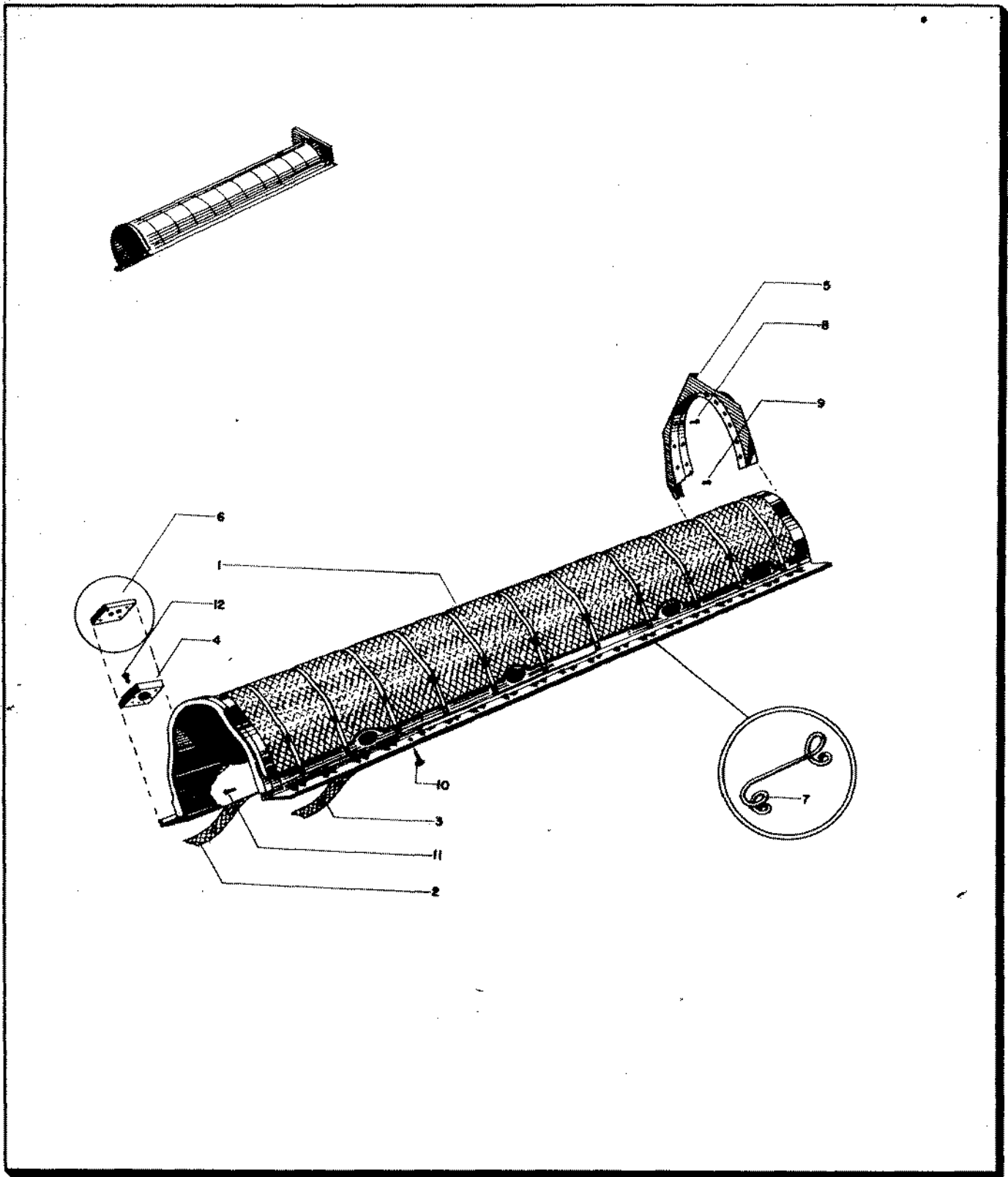


Figure 28—Shroud Assembly

RESTRICTED
AN 01-65BC-4
SECTION II—GROUP ASSEMBLY PARTS LISTS

FIG. NO.	INDEX NO.	STOCKED	GROUP		FUSELAGE						UNITS PER ASSY	PROPERTY CLASSIFICATION		
			MAJOR ASSEMBLY		SHROUD ASSEMBLY							U.S. NAVY	U.S. ARMY	BRITISH
			PART NUMBER	1	2	3	4	5	6	NOMENCLATURE				
24	2		89F12006								1L/1R		01-N	
24	2		89F12006-18								1L/1R		01-N	
28	1		89F12006-2								1		01-N	
28	2		89F12006-19								1		01-N	
28	2		89F12006-13								1		01-N	
28	3		89F12006-16								1		01-N	
28	4		89F82252								1R		01-N	
28	5		89F11917								1L		01-N	
28	5		89F12088								1R		01-N	
28	6		93F84018								1R		01-N	
28	7		35B1406-3								38		04-A	
28	8		AN526C1032-7								12		29	
28	9		AN526C1032-6								1		29	
28	10		P-6155R1								8		29	
28	11		AN515-8-7								22		29	
28	12		AN505-8-10								4		29	

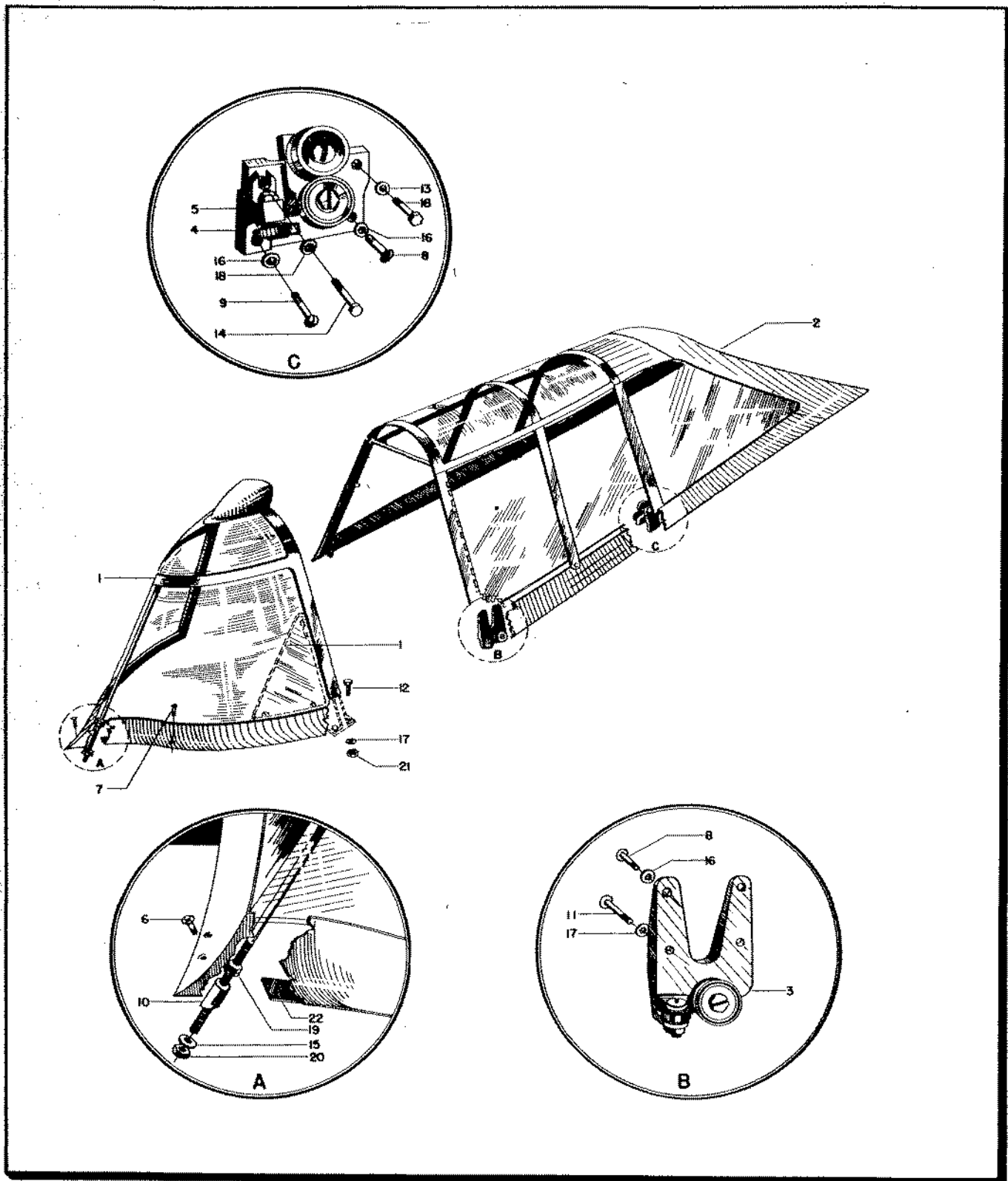


Figure 29—Cockpit Enclosure

RESTRICTED
AN 01-65BC-4
SECTION II—GROUP ASSEMBLY PARTS LISTS

FIG. NO.	INDEX NO.	S V C K E D	GROUP						UNITS PER ASSY	PROPERTY CLASSIFICATION										
			MAJOR ASSEMBLY		FUSELAGE					U.S. NAVY	U.S. ARMY	BRITISH								
			PART NUMBER	1	2	3	4	5					6	NOMENCLATURE						
3	3		89F11003-2													Installation-Cockpit Enclosure (P-47B, P-47C-RE, P-47C-1-RE, P-47C-2-RE)	1		01-N	
3	3		89F11003-3													Installation-Cockpit Enclosure (P-47C-5-RE and P-47D)	1		01-N	
29	1		89F11812													Clearview Windshield Assembly (P-47B, P-47C-RE, P-47C-1-RE, P-47C-2-RE)	1		01-N	
29	1		93F11812													Clearview Windshield Assembly (P-47C-5-RE and P-47D)	1		01-N	
29	2		89F11810													Canopy Assembly	1		01-N	
29	3		89F11872													Roller Assembly	1		01-N	
29	4		89F11873													Vertical Roller Assembly	1L/1R		01-N	
29	5		89F11874													Horizontal Roller Assembly	1L/1R		01-N	
29	6		S-52-8-5													Screw	4		01-N	
29	7		S-52-8-2													Screw	32		01-N	
29	8		AN23-9A													Bolt	6		04-A	
29	9		AN23-12A													Bolt	2		04-A	
29	10		89F11093													Bushing (P-47C-5-RE and P-47D)	1		01-N	
29	11		AN24-29A													Bolt	4		04-A	
29	12		AN4-6A													Bolt	4		04-A	
29	13		AN4-10A													Bolt	2		04-A	
29	14		AN4-12A													Bolt	2		04-A	
29	15		AN960-10													Washer	1		04-A	
29	16		AN960-10L													Washer	8		04-A	
29	17		AN960-416													Washer	8		04-A	
29	18		AN960-416L													Washer	4		04-A	
29	19		AN315-3R													Nut (P-47C-5-RE and P-47D)	2		04-A	
29	20		AN365-1032													Nut	1		04-A	
29	21		AN365-428													Nut	4		04-A	
29	22		89F11003-1													Gasket	1		01-N	

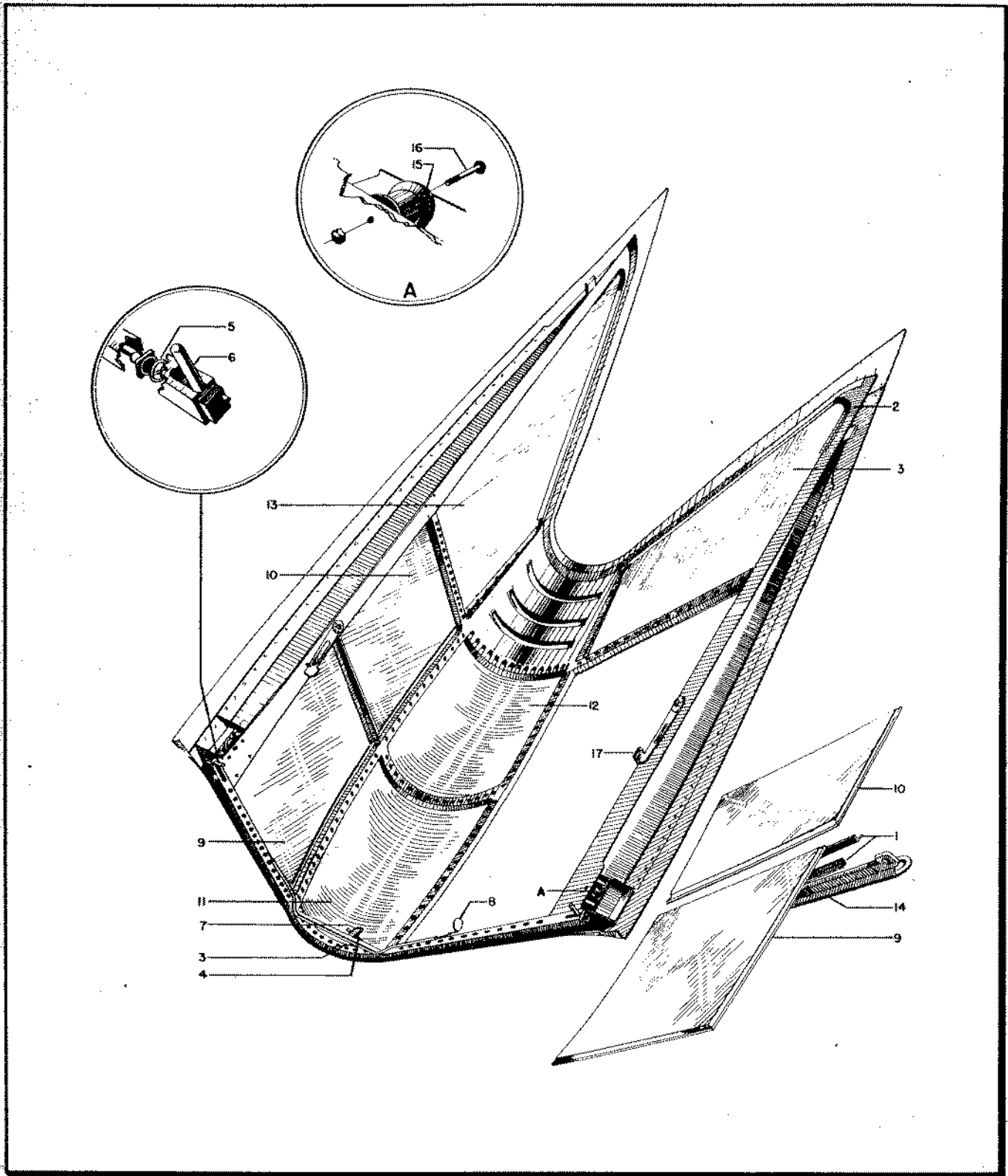


Figure 30—Canopy

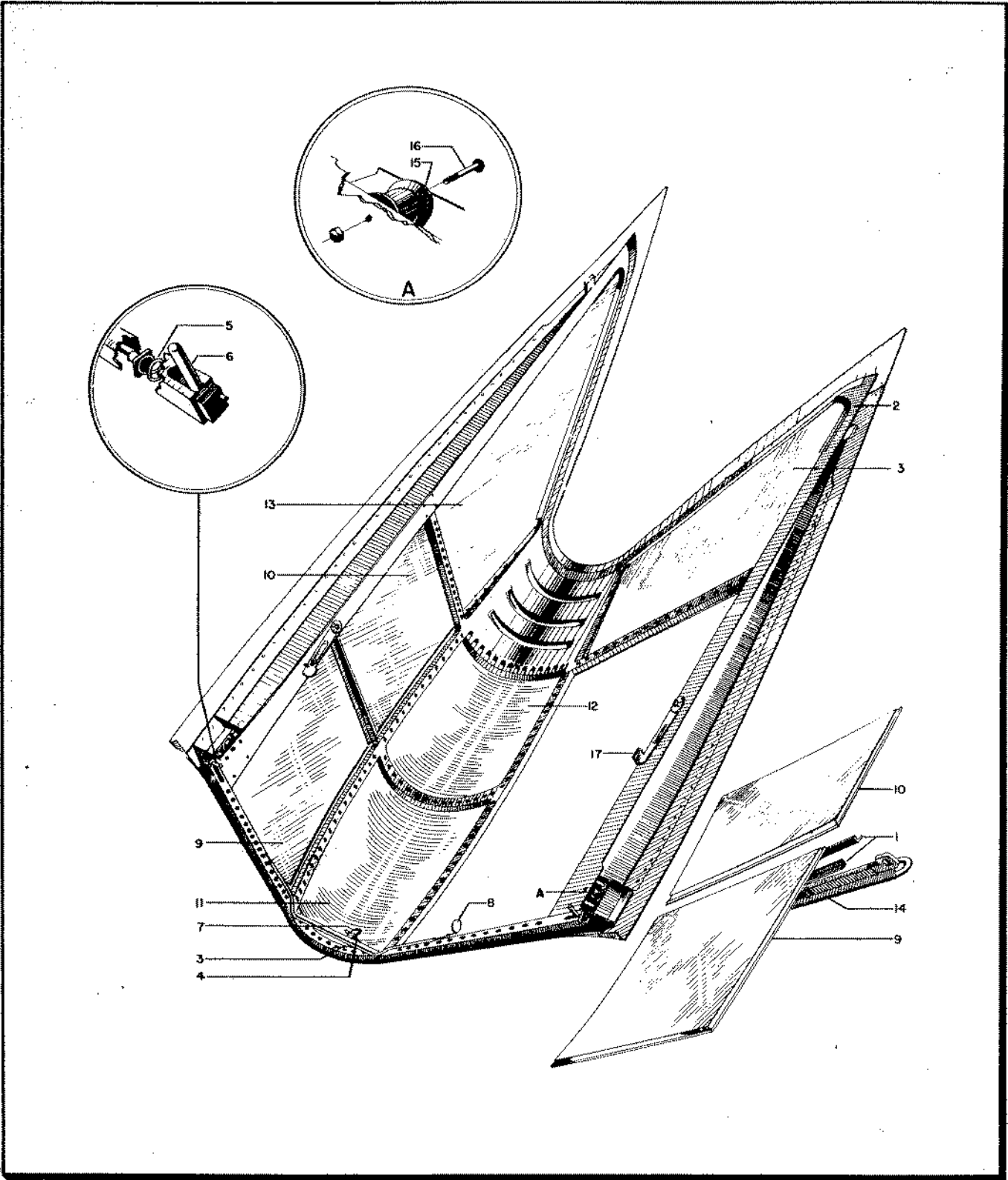


Figure 30—Canopy

RESTRICTED
AN 01-65BC-4
SECTION II—GROUP ASSEMBLY PARTS LISTS

FIG. NO.	INDEX NO.	STOCK E D	GROUP						UNITS PER ASSY	PROPERTY CLASSIFICATION			
			MAJOR ASSEMBLY			CANOPY ASSEMBLY				U.S. NAVY	U.S. ARMY	BRITISH	
			PART NUMBER	1	2	3	4	5					6
29	2		89F11810							1			Unless otherwise noted all parts are in class O1-N.
29	2		89F11810-10							1			
30	1		89F11810-17							1			
30	2		89F11810-19							1			
30	3		89F11810-40							1			
30	4		89F11810-41							1			
30	5		89F11861							2			
30	6		89F11414							LL/LR			
30	7		89F11416							1			
30	8		89F11415							1			
30	9		89F11428-8							1			
30	10		89F11428-2							1			
30	11		89F11429-1							1			
30	12		89F11429-2							1			
30	13		89F11430							LL/LR			
30	14		89F11859							2			
30	15		89F11868							LL/LR			
30	16		AN23-20A							2		O1-A	
30	17		89F11890							LL/LR			

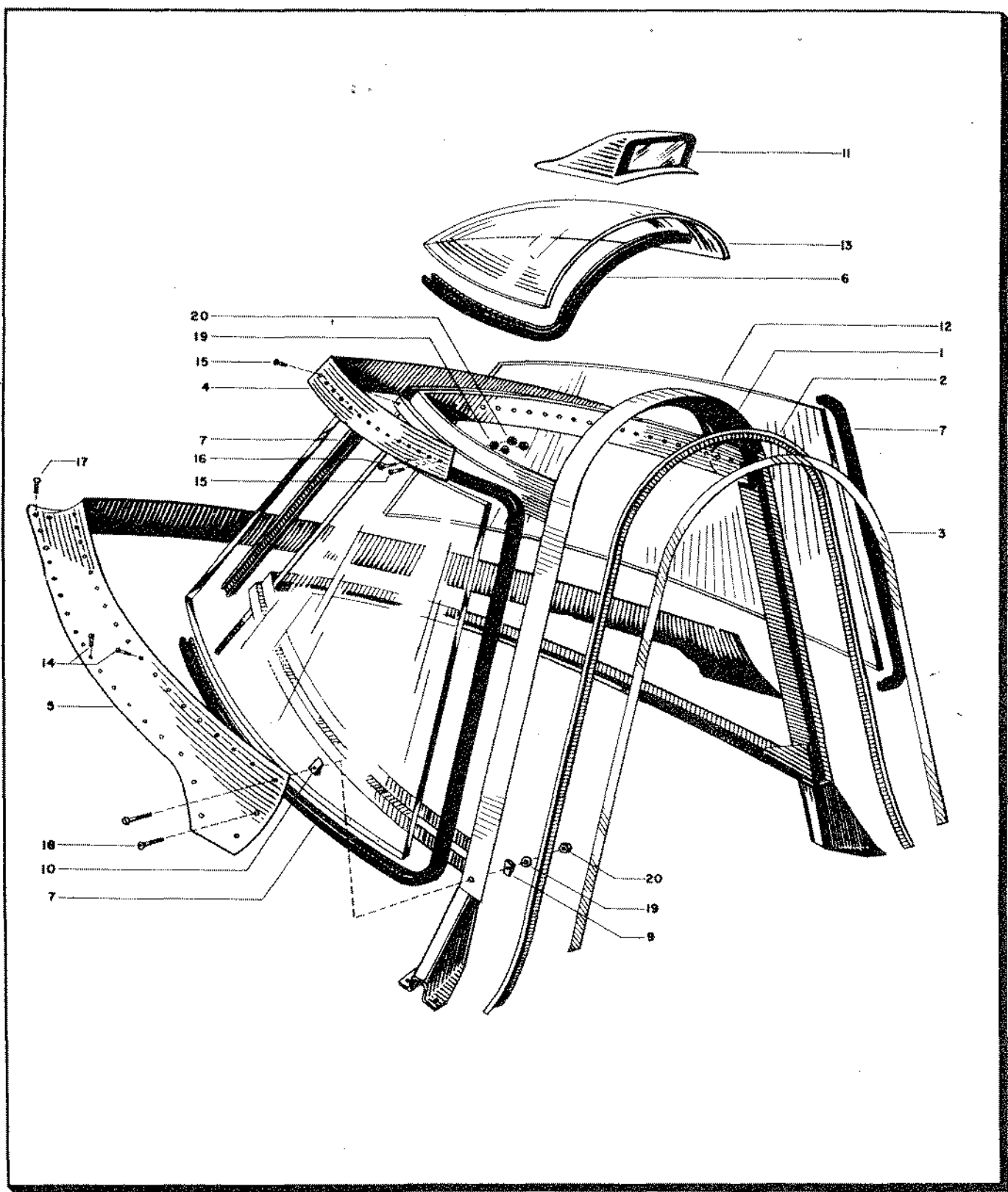


Figure 31—Windshield Assembly

RESTRICTED
AN 01-65BC-4
SECTION II—GROUP ASSEMBLY PARTS LISTS

FIG. NO.	INDEX NO.	S T O C K E D	GROUP FUSELAGE						UNITS PER ASSY	PROPERTY CLASSIFICATION		
			MAJOR ASSEMBLY		WINDSHIELD ASSEMBLY					U.S. NAVY	U.S. ARMY	BRITISH
			PART NUMBER	1	2	3	4	5				
29	1		89F11812						1			
31	1		89F11812-1						1			Unless otherwise noted all parts are in class 01-N.
31	2		89F11812-11						1			
31	3		89F11812-12						1			
31	4		89F11817-6						1			
31	5		89F11817-7						1L/1R			
31	6		89F11817-8						1			
31	7		89F11817-9						1			
			89F11817-10						1			
31	9		89F11817-13						1			
31	10		89F11817-14						1			
31	11		89F11453						1			
31	12		89F11808						1L/1R			
31	13		89F11811						1			
31	14		S-52-8-2						46			
31	15		S-52-8-9						4			
31	16		S-52-8-8						20			
31	17		S-52-8-3						2			
31	18		S-52-10-2						4			
31	19		AN960-8						26		04-A	
31	20		AN365-832						28		04-A	

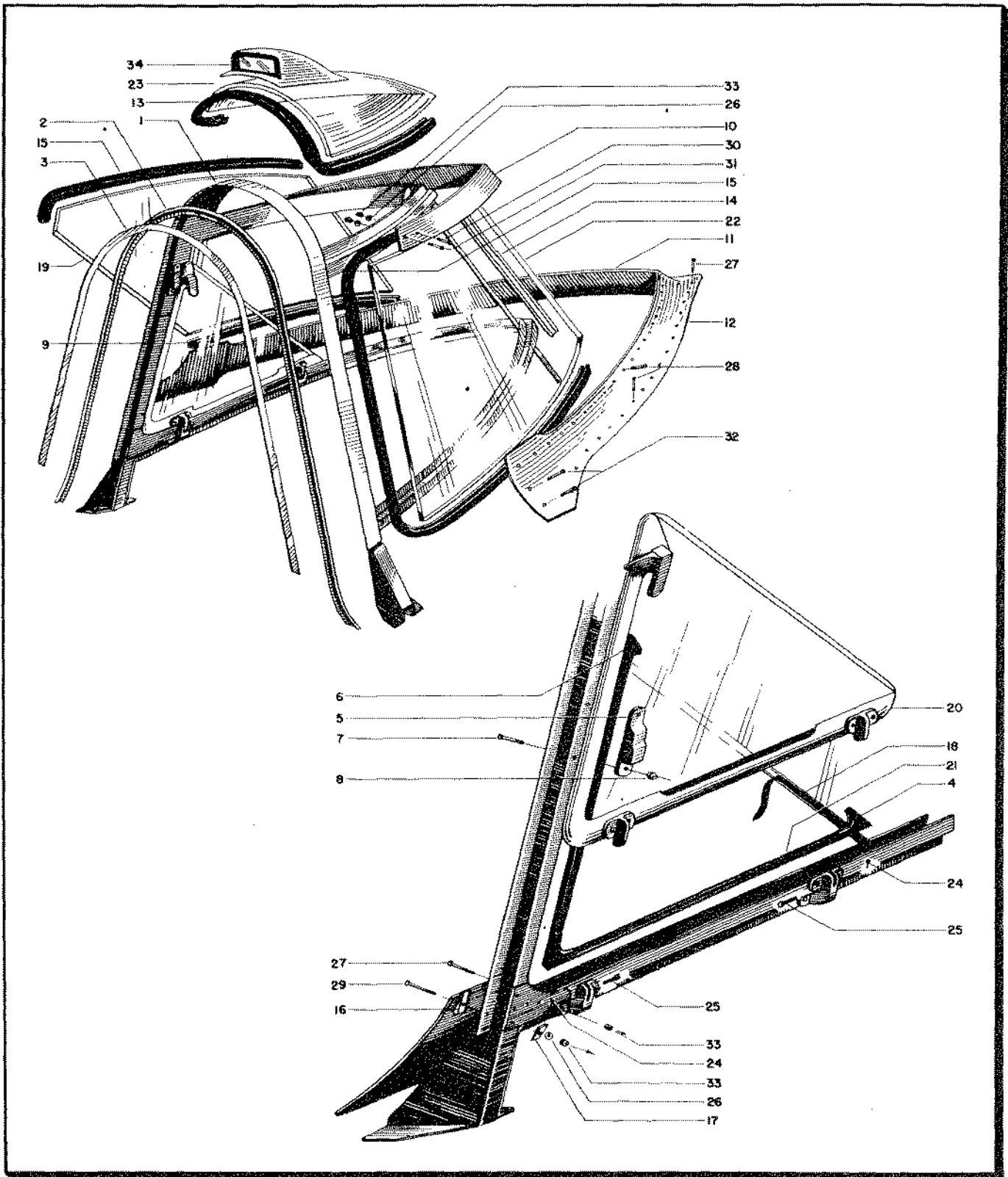


Figure 32—Windshield Assembly—Clearview Panel

RESTRICTED
AN 01-65BC-4
SECTION II—GROUP ASSEMBLY PARTS LISTS

FIG. NO.	INDEX NO.	STOCKED	FUSELAGE						UNITS PER ASSY	PROPERTY CLASSIFICATION				
			GROUP		WINDSHIELD - CLEARVIEW PANEL						U.S. NAVY	U.S. ARMY	BRITISH	
			MAJOR ASSEMBLY		NOMENCLATURE									
GROUP	MAJOR ASSEMBLY	PART NUMBER	1	2	3	4	5	6						
29	1		93F11812							Windshield Assembly - Clearview Panel (P-47C-5-RE, P-47D)	1		01-N	
32	1		93F11812-1							Frame Assembly	1		01-N	
32	2		93F11812-12							Gasket	1		01-N	
32	3		93F11812-13							Retainer Strip	1		01-N	
32	4		93F11208-1							Hinge	1		01-N	
32	5		93F11203							Catch	1		01-N	
32	6		93F11208-3							Hinge	1		01-N	
32	7		S-52-8-12							Screw	2		01-N	
32	8		AN365-832							Nut	2		01-A	
32	9		93F11812-5							Rubbing Strip	1		01-N	
32	10		93F11812-6							Retainer Strip	1		01-N	
32	11		93F11812-7							Fillet - L.H.	1		01-N	
32	12		93F11812-8							Fillet - R.H.	1		01-N	
32	13		93F11812-9							Rubbing Strip	1		01-N	
32	14		93F11812-10							Strip	1		01-N	
32	15		93F11812-11							Rubbing Strip	1		01-N	
32	16		93F11812-14							Shim	1		01-N	
32	17		93F11812-15							Shim	1		01-N	
32	18		93F11812-16							Rubbing Strip	1		01-N	
32	19		93F11808							Windshield Glass	1		01-N	
32	20		93F11200							Panel Assembly - Clearview	1		01-N	
32	21		93F11201-2							Sealing Frame - Rubber	1		01-N	
32	22		89F11808							Windshield Glass	1R		01-N	
32	23		89F11811							Crown Glass	1		01-N	
32	24		AN380-2-2							Cotter	2		29	
32	25		AN392-15							Pin	2		01-A	
32	27		S-52-8-3							Screw	4		01-N	
32	28		S-52-8-2							Screw	38		01-N	
32	29		AN505-8-20							Screw	2		29	
32	30		S-52-8-8							Screw	20		01-N	
32	31		S-52-8-9							Screw	4		01-N	
32	32		S-52-10-2							Screw	4		01-N	
32	33		AN365-832							Nut	30		01-A	
32	34		89F11453							Rear Vision Mirror	1		01-N	

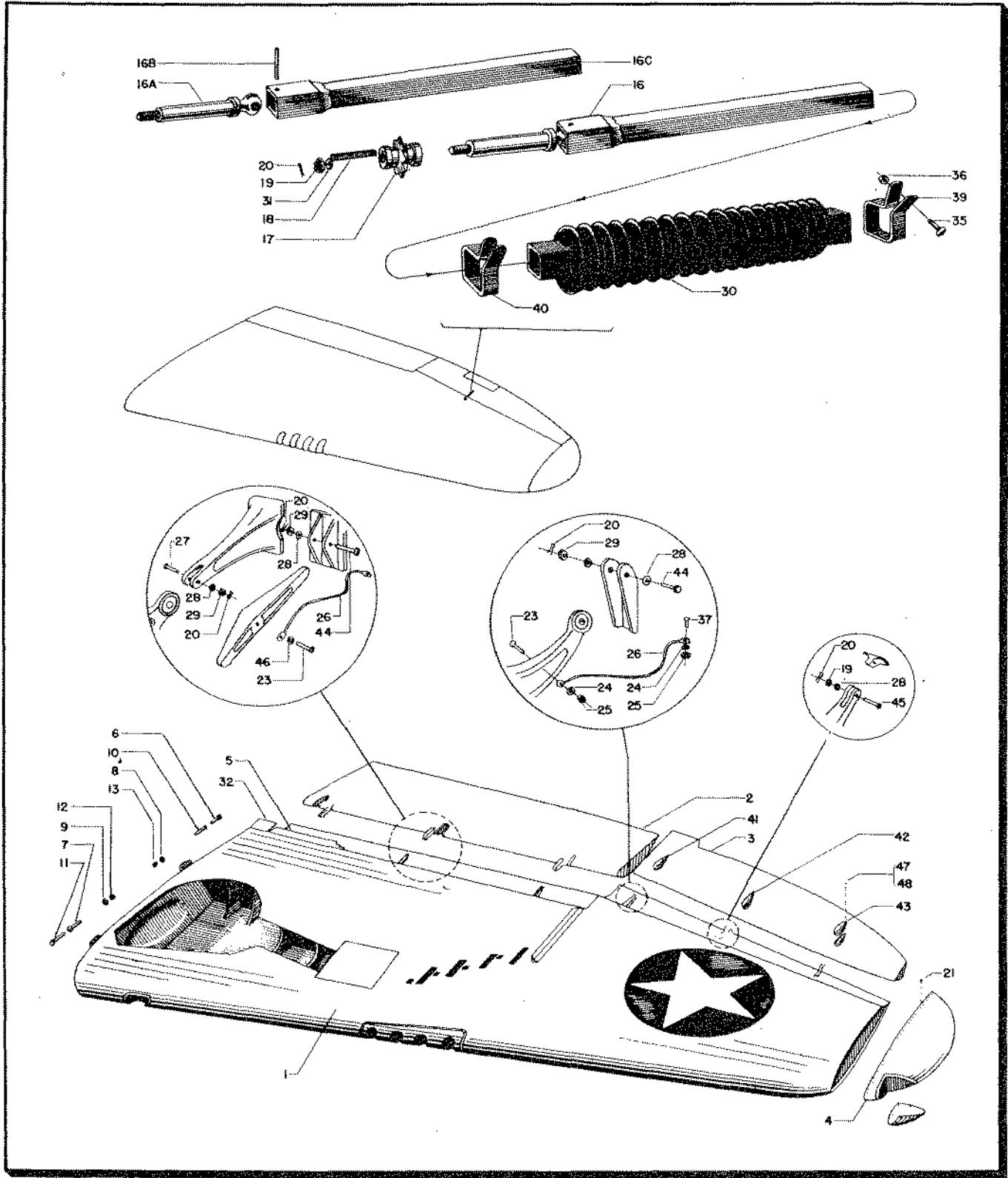


Figure 33—Installation Wing

RESTRICTED
AN 01-65BC-4
SECTION II—GROUP ASSEMBLY PARTS LISTS

FIG. NO.	INDEX NO.	STOCK EDITION	GROUP	WINGS						UNITS PER ASSY	PROPERTY CLASSIFICATION			
				MAJOR ASSEMBLY	INSTALLATION - WINGS						U.S. NAVY	U.S. ARMY	BRITISH	
					PART NUMBER	1	2	3	4					5
2	47		89W21000-50							1L/1R		01-N		
2	47		89W21000-51							1L/1R		01-N		
2	47		89W21000-52							1L/1R		01-N		
2	47		89W21000-53							1L/1R		01-N		
2	47		89W21000-54							1L/1R		01-N		
2	47		89W21000-55							1L/1R		01-N		
33	1		89C22000							1L		01-N		
33	2		89D25000							1L		01-N		
33	3		89A26000							1L		01-N		
33	4		89T24000							1L		01-N		
33	5		89D25500							1L		01-N		
33	6		89C22391							2		01-N		
33	7		89C22392							2		01-N		
33	8		89C22393							2		01-N		
33	9		89C22394							2		01-N		
33	10		89C22395							2		01-N		
33	11		89C22396							2		01-N		
33	12		AN365-820							2		04-A		
33	13		AN365-624							2		04-A		
			AN3-11A							1		04-A		
			365-1032							3		04-A		
33	16		89C22752							1		01-N		
33	16A		89C22753							1		01-N		
33	16B		89C22752-1							1		01-N		
33	16C		89S96190							1		01-N		
33	17		89C22756							1		01-N		
33	18		89C22755							1		01-N		
33	19		AN320-4							1		04-A		
33	20		AN380-2-2							1		29		
33	21		S-52-10-2							35		01-N		
			AN3-13A							2		04-A		
33	23		AN515-6-6							6		29		
33	24		AN936-B6							4		29		
33	25		AN340-6							4		29		
33	26		BP7P							4		08-B		
33	27		AN24-24							2		04-A		
33	28		AN960-D416							8		04-A		
33	29		AN320-4							8		04-A		
33	30		89A26908							1		01-N		
33	31		AN960-616							4		04-A		
33	32		99C22626							1L		01-N		
			89A26139							1		01-N		
			89A26140							1		01-N		
33	35		AN515-8-5							2		29		
33	36		AN365-832							2		04-A		
33	37		S-52-6-1							2		01-N		
			AN960-D10							3		04-A		
33	39		89A26909-1							1		01-N		
33	40		89A26909-2							1		01-N		
33	41		89A26127							1		01-N		
										1L		01-N		
33	42		89A26133							1L		01-N		
33	43		89A26137							1L		01-N		
33	44		AN24-21							5		04-A		
33	45		AN24-23							1		04-A		
33	46		AN960-6							4		04-A		
33	47		S-52-6-2							8		01-N		
33	48		S-52-6-3							4		01-N		

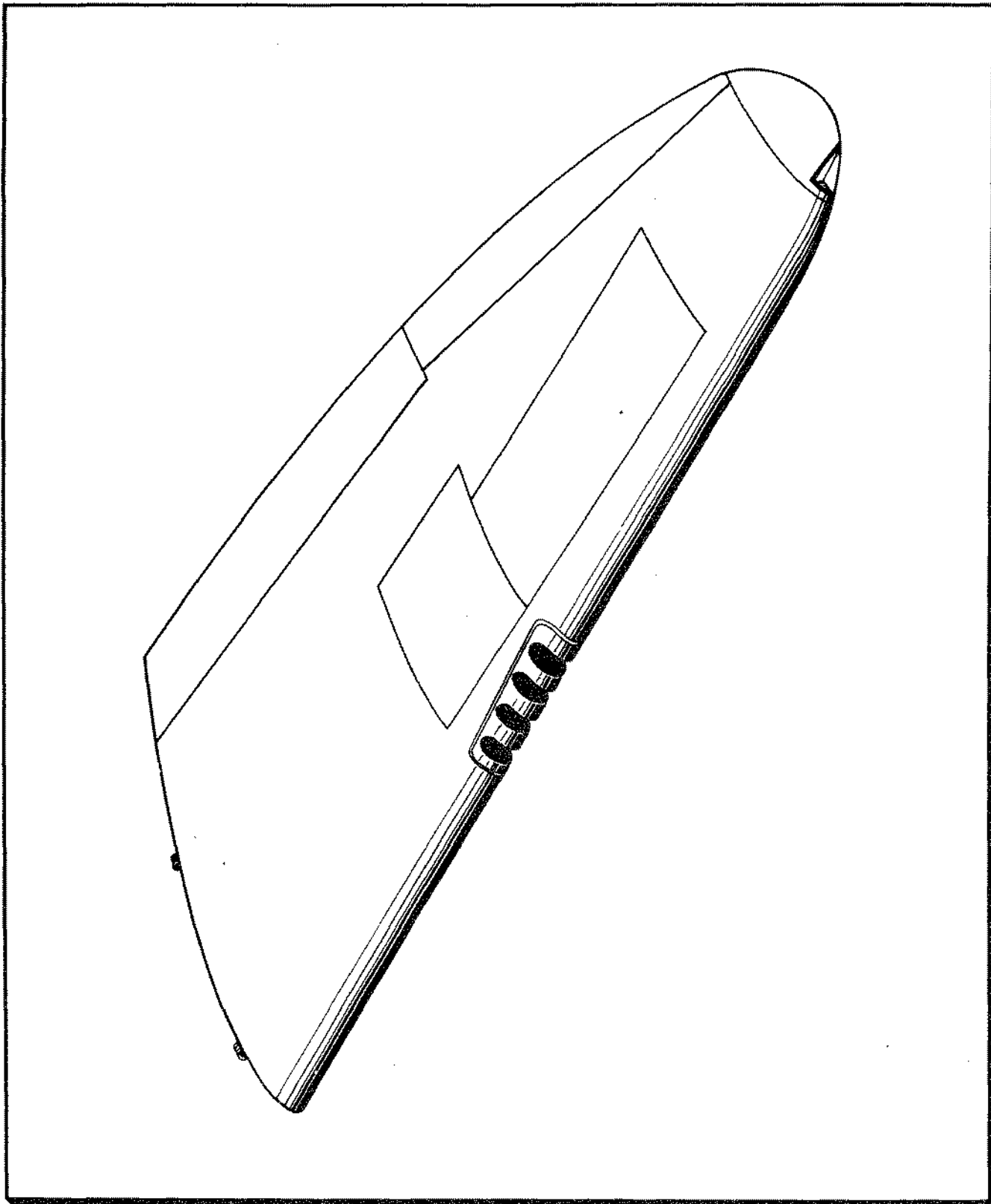


Figure 33A—Wing Panel Complete and Stripped

RESTRICTED
AN 01-65BC-4
SECTION II—GROUP ASSEMBLY PARTS LISTS

FIG. NO.	INDEX NO.	STOCKED	GROUP WING						UNITS PER ASSY	PROPERTY CLASSIFICATION			
			MAJOR ASSEMBLY		SPARES ASSEMBLIES					U.S. NAVY	U.S. ARMY	BRITISH	
			PART NUMBER	1	2	3	4	5					6
33A			89W21500-1						Wing Panel Complete - Quick Change Unit (P-47C-1-RE to P-47C-5-RE)	1L/1R			
33A			89W21500-2						Wing Panel Complete - Quick Change Unit (P-47C-5-RE)	1L/1R			
33A			89W21500-3						Wing Panel Complete - Quick Change Unit (P-47D-1-RE, P-47D-2-RE, P-47D-5-RE and P-47D-6-RE)	1L/1R			
33A			89W21500-5						Wing Panel Complete - Quick Change (P-47D-2-RE)	1L/1R			
33A			89W21500-6						Wing Panel Complete - Quick Change Unit - (P-47D-10-RE)	1L/1R			
33A			89W21500-7						Wing Panel Complete - Quick Change Unit (P-47D-10-RE and up)	1L/1R			
<p>NOTE: WING PANEL ASSEMBLY COMPLETE INCLUDING ALL PARTS AND EQUIPMENT NECESSARY TO INSTALL WING AND MAKE ATTACHMENT TO AIRPLANE AS NOTED BELOW. (LESS GOVERNMENT FURNISHED EQUIPMENT, EXCEPT WHERE NOTED.) FOR SPARES PROCUREMENT ONLY.</p>													
33									Installation - Wings				
91									Installation - Landing Gear Uplock (Less those parts in the Fuselage)				
86									Installation - Landing Gear (Less those parts in the Fuselage)				
99									Installation-Landing Gear Fairing				
152									Installation - Gun Bay Heating				
									Provisions (Less Parts in Fuselage)				
150	17								Cover Assembly - Gun Troughs				
150	10								Ammunition Box Rollers				
50									Gun Mounts				
150									Installation - Fixed Guns				
159									Wing Gun Camera				
74									Installation-Hydraulic System-Wing Bonding				
66									Installation - Trim Control				
162	53								Air Speed Head				
84									Installation - Brake Control - Wing and Landing Gear				
162									Installation-Electrical System-Wing (Including Landing Light and Recognition Lights)				
60									Installation - Aileron Control				
33A			89W21500-4						Wing Panel - Stripped - Quick Change Unit	1L/1R			
33A			89W21500-9						Wing Panel - Stripped - Quick Change Unit	1L/1R			
<p>NOTE: WING PANEL ASSEMBLY STRIPPED LESS G.F.E. EXCEPT WHERE NOTED. (FOR SPARES PROCUREMENT ONLY) CONTAINING ITEMS BELOW:</p>													
33									Installation - Wings				
162									Installation-Electrical System-Wing to include the following G.F.E.				
									Lamp Assembly - (Red)				
									Lamp Assembly - (Green)				
									Landing Light				
60									Installation-Aileron Controls-Wings				
									Installation-Gun Bay Heating				
									Provision (Less parts in Fuselage)				

Unless otherwise noted all parts are in class 01-N.

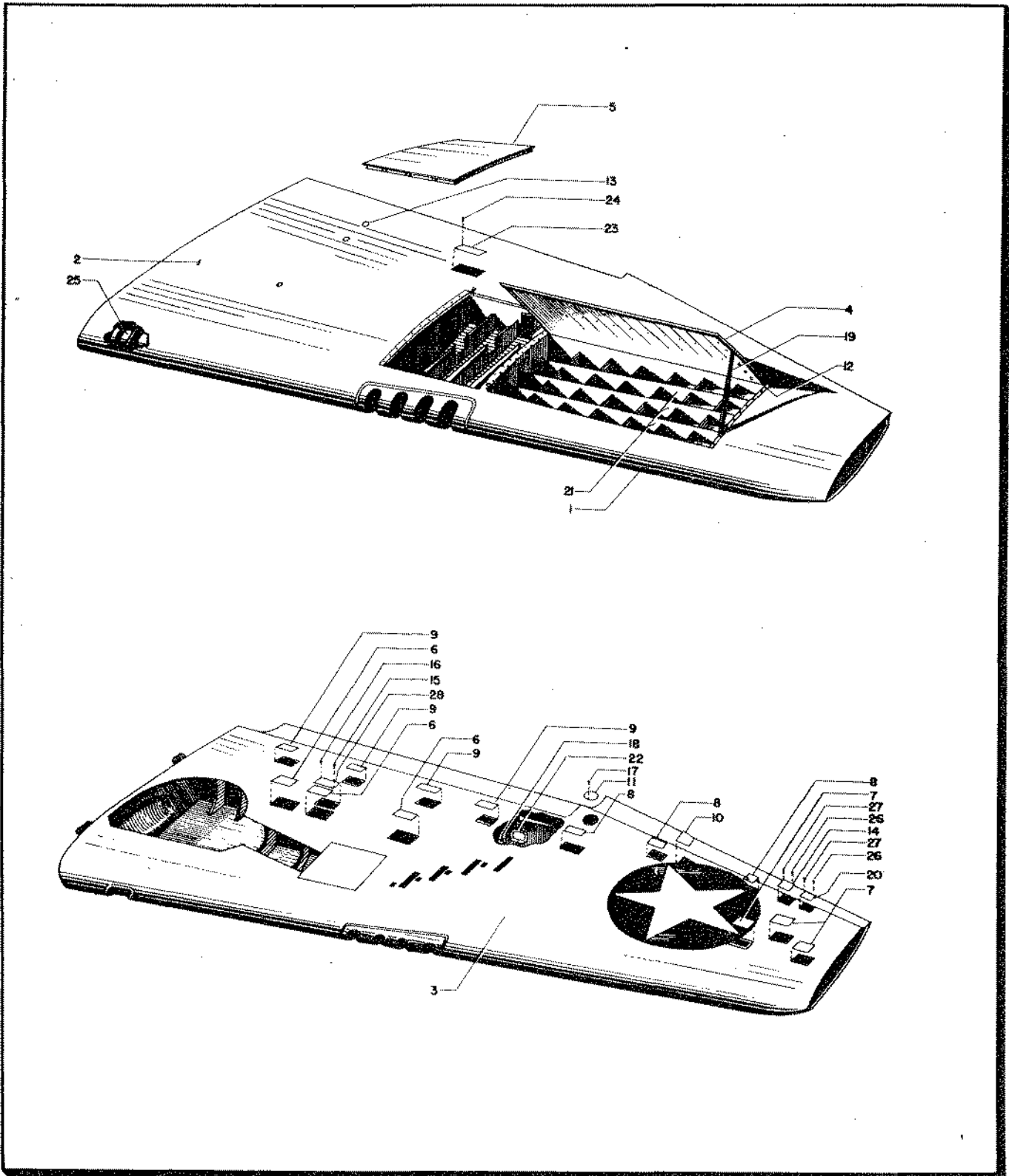


Figure 34—Wing Panel Assembly

RESTRICTED
AN 01-65BC-4
SECTION II—GROUP ASSEMBLY PARTS LISTS

FIG. NO.	INDEX NO.	STOCK #	GROUP		WINGS						UNITS PER ASSY	PROPERTY CLASSIFICATION		
			MAJOR ASSEMBLY		WING PANEL ASSEMBLY							U.S. NAVY	U.S. ARMY	BRITISH
			PART NUMBER		1	2	3	4	5	6				
33	1		89C22000-50								1L/1R	Unless otherwise noted all parts are in class 01-N. 29		
33	1		89C22000-51								1L/1R			
33	1		89C22000-52								1L/1R			
33	1		89C22000-53								1L/1R			
33	1		89C22000-54								1L/1R			
33	1		89C22000-55								1L/1R			
33	1		89C22003								1L/1R			
34	2		89C22002								1L/1R			
34	3		89C22001								1L/1R			
34	4		89C22117								1L/1R			
34	5		89C22118								1L/1R			
34	6		89C22244-3								2L/3R			
34	7		89C22244-2								3L/3R			
34	8		89C22247-3								3			
34	9		89C22247-2								4			
34	10		89C22249								1L/1R			
34	11		89C22299-3								1			
34	12		89C22408-3								1			
34	13		89C22493								3			
34	14		89C22575								1L/1R			
34	15		S-52-10-3								4			
34	16		S-52-10-2								8			
34	17		S-52-8-3								8			
34	18		AN526-832-8								5			
34	19		89C22216								Installation-Ammunition Door			
34	20		89C22576								1L/1R			
34	21		89C22906								1L/1R			
34	22		89C22918								1L/1R			
34	23		89C22525								1L/1R			
34	24		S-52-10-4								1			
34	25		Type D-2								14			
34	26		S-52-8-2								1			
34	27		S-52-8-1								6			
34	28		89C22445								9			
											1	03-X		
											Access Door-Bottom Cover Wing			

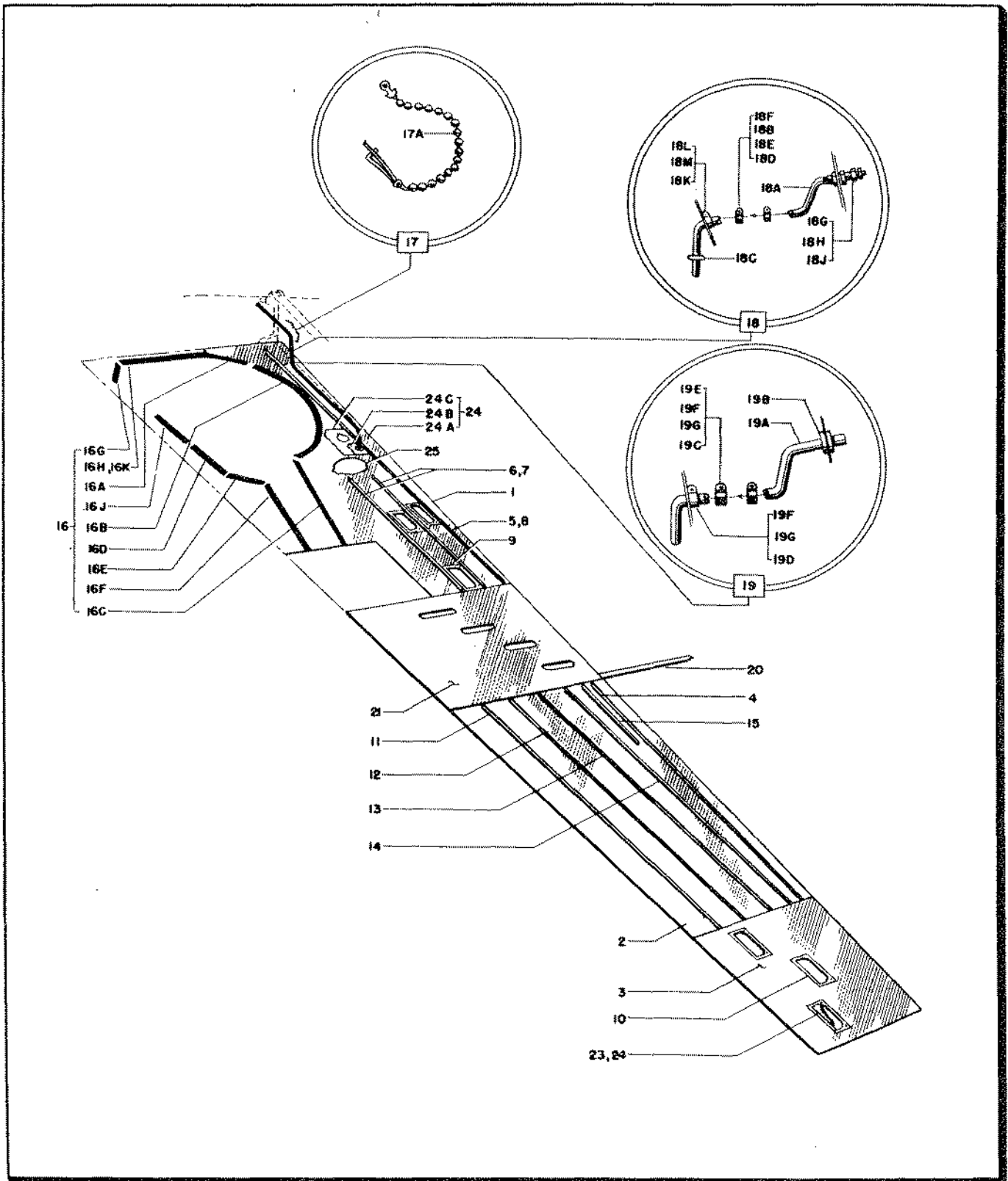


Figure 35—Wing—Lower Cover Assembly

RESTRICTED
AN 01-65BC-4
SECTION II—GROUP ASSEMBLY PARTS LISTS

FIG. NO.	INDEX NO.	STOCK REF.	GROUP		WING						UNITS PER ASSY	PROPERTY CLASSIFICATION					
			MAJOR ASSEMBLY		LOWER COVER ASSEMBLY							U.S. NAVY	U.S. ARMY	BRITISH			
			PART NUMBER	1	2	3	4	5	6	NOMENCLATURE							
34	3		89C22001														
35	1		89C22001-1								1						Unless otherwise noted all parts are in class O1-N.
35	2		89C22001-3								1						
35	3		89C22001-4								1						
35	4		89C22001-5								1L/1R						
35	5		89C22001-6								1L						
35	6		89C22001-7								2L						
35	7		89C22001-8								2R						
35	8		89C22001-14								1R						
35	9		89C22209								1						
35	10		89C22207								2						
35	11		89C22270-1								1L/1R						
35	12		89C22270-2								1L/1R						
35	13		89C22270-3								1L/1R						
35	14		89C22270-4								1L/1R						
35	15		89C22271								1L/1R						
35	16		89C22215								1L/1R						
35	16A		89C22217-1								1						
35	16B		89C22217-2								1						
35	16C		89C22217-3								1						
35	16D		89C22217-4								1						
35	16E		89C22217-5								1						
35	16F		89C22217-6								1						
35	16G		89C22217-8								1						
35	16H		89C22217-9								1						
35	16J		89C22217-37								1						
35	16K		89C22217-48								1						
35	17		89C22652								1L/1R						
35	17A		S-303								2						
35	18		89C65210								1R						
35	18A		89C65229								1						
35	18B		AN520-10-7								2					29	
35	18C		AN931-8-13								1					04-B	
35	18D		AN960-D10								2					04-A	
35	18E		365-1032								2					04-A	
35	18F		S-9795-8								2						
35	18G		3115-1HT-8D								1					04-A	
35	18H		11-1039-1-10D								2					04-A	
35	18J		S-9752-7								2						
35	18K		S-9796-8L								1						
35	18L		AN515-8-5								1					29	
35	18M		AN365-832								1					04-A	
35	19		93C65147								1R						
35	19A		93C65147-1								1						
35	19B		AN931-12-17								1					04-B	
35	19C		AN960D8								2					04-A	
35	19D		S9796-12L								1						
35	19E		S9795-12								2						
35	19F		AN515-8-8								3					29	
35	19G		365-832								3					04-A	
35	20		89C22530								1L/1R						
35	21		89C22656								1L/1R						
			S-317-3								5L/6R						
35	23		S-318								5L/6R						
35	24		93C22581-1								1L						
35	24		93C22581-2								1R						
35	24A		93C22583								1						
35	24B		93C22579								1						
35	24C		93C22577								1						
35	25		89C22200								1						

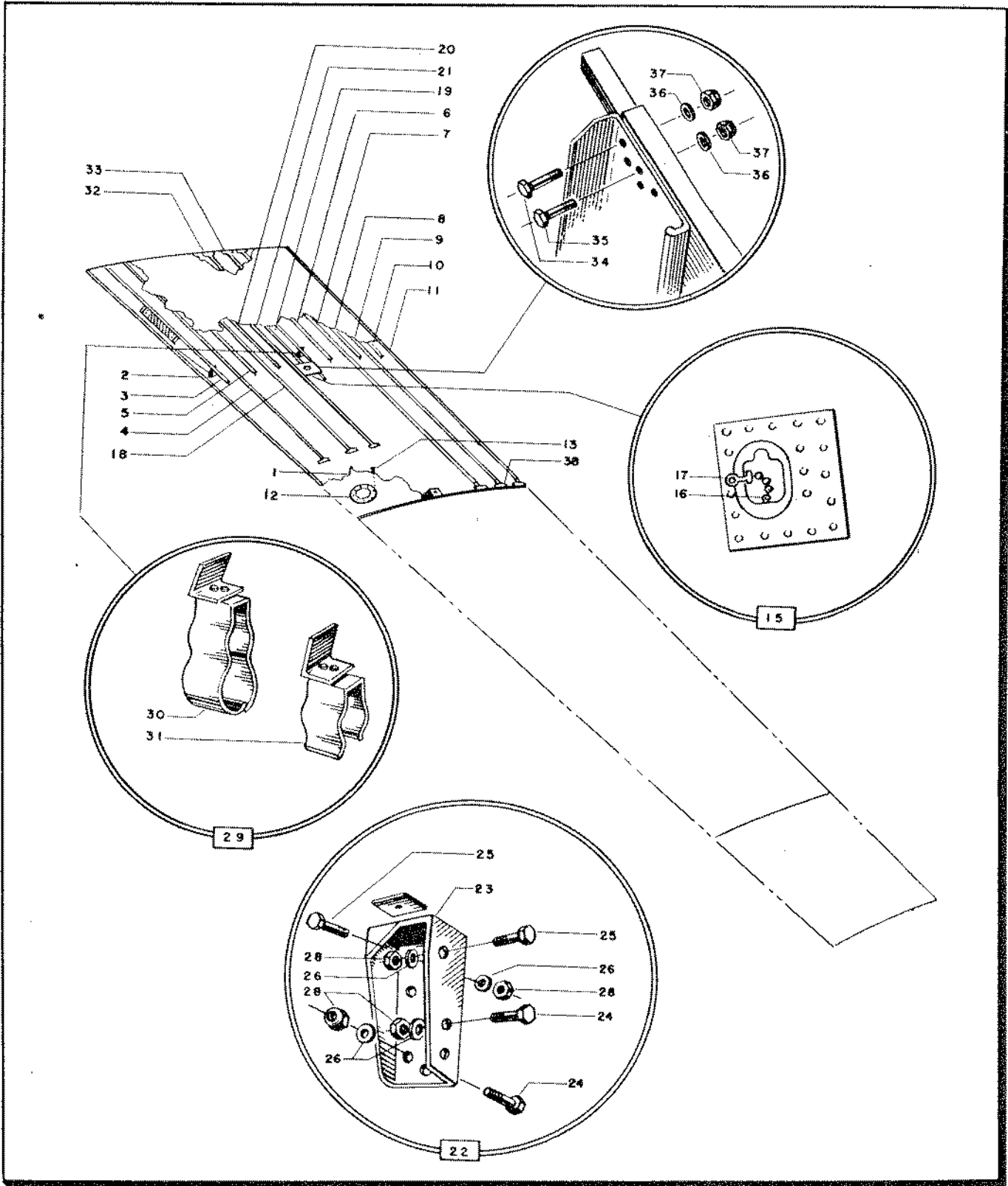


Figure 36—Wing—Upper Cover Assembly

RESTRICTED
 AN 01-65BC-4
SECTION II—GROUP ASSEMBLY PARTS LISTS

FIG. NO.	INDEX NO.	STOCKED	GROUP						UNITS PER ASSY	PROPERTY CLASSIFICATION			
			MAJOR ASSEMBLY		WING					U.S. NAVY	U.S. ARMY	BRITISH	
			PART NUMBER	1	2	3	4	5					6
34	2	REF.	89C22002									01-N	
			89C22108						1L/1R			01-N	
36	1		89C22108-1					Upper Cover Assembly				01-N	
36	2		89C22108-2					Top Cover Assembly	1			01-N	
36	3		89C22108-3					Skin	1			01-N	
36	4		89C22108-4					Stringer (S-206)	1			01-N	
36	5		89C22108-5					Stringer (S-134)	1			01-N	
36	6		89C22108-6					Stringer (S-134)	1			01-N	
36	7		89C22108-7					Stringer (S-134)	1			01-N	
36	8		89C22108-8					Stringer (S-134)	1			01-N	
36	9		89C22108-9					Stringer (S-134)	1			01-N	
36	10		89C22108-10					Stringer (S-134)	1			01-N	
36	11		89C22108-11					Stringer (S-134)	1			01-N	
36	12		89C22108-13					Stringer (S-233)	1			01-N	
36	13		S-52-10-2					Cover	1			01-N	
			22A12-22					Screw	8			01-N	
			89C22521					Angle	1			04-A	
36	15		S-317-3					Plate Assembly	1L			01-N	
36	16		S-318					Chain	1			01-N	
36	17		89C22108-30					End - Chain	1			01-N	
36	18		89C22108-31					Filler	1			01-N	
36	19		89C22108-32					Filler	1			01-N	
36	20		89C22108-33					Filler	1			01-N	
36	21		89C22529					Filler	1			01-N	
36	22		89C22528					Installation-Wing Hoist Fitting	1L			01-N	
36	23		AN5-7A					Fitting - Wing Hoist	1L			01-N	
36	24		AN5-10A					Bolt	5			04-A	
36	25		AN960-516					Bolt	3			04-A	
36	26		AN960-516L					Washer	8			04-A	
36	28		365-524					Washer	2			04-A	
36	29		89C22655					Nut	8			04-A	
								Installation-Crank Extension					
								Stowage	1			01-N	
36	30		89C22654-1					Clip Assembly	1			01-N	
36	31		89C22654-2					Clip Assembly	1			01-N	
36	32		89S96047					Clip	1L			01-N	
36	33		89S96048					Clip	13			01-N	
36	34		AN4-11A					Bolt	2			01-N	
36	35		AN4-10A					Bolt	3			01-N	
36	36		AN960-D416					Washer	5			04-A	
36	37		AN365-428					Nut	5			04-A	
36	38		89S96046					Clip	3L/3R			01-N	

THE PART NUMBER APPEARING AFTER "REF." IN THE "FIG.NO." COLUMN IS USED FOR BREAK-DOWN PURPOSES ONLY, AND IS NOT TO BE ORDERED AS A PART.

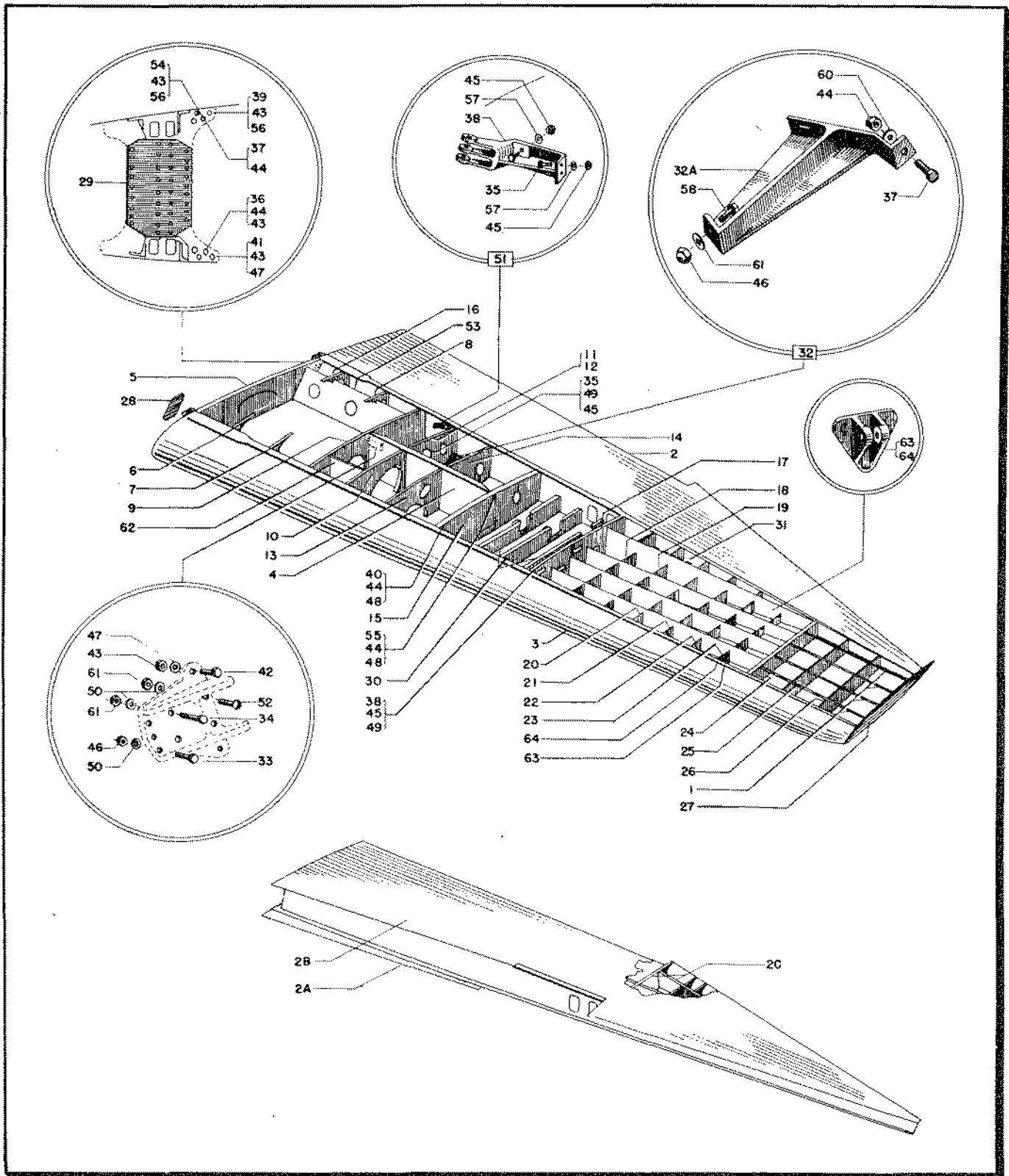


Figure 37—Wing—Frame Assembly

RESTRICTED
AN 01-65BC-4
SECTION II—GROUP ASSEMBLY PARTS LISTS

FIG. NO.	INDEX NO.	STOCKED	GROUP		WING						UNITS PER ASSY	PROPERTY CLASSIFICATION			
			MAJOR ASSEMBLY		FRAME ASSEMBLY							U.S. NAVY	U.S. ARMY	BRITISH	
			PART NUMBER		1	2	3	4	5	6					NOMENCLATURE
34	1		89C22003									1			
37	1		89C22003-1									4			
37	2		89C22101									1L			
37	2		89C22101-53									1L			
37	2		89C22101-54									1L			
37	2		89C22101-55									1L			
37	2		89C22101-56									1L			
37	2a		89C22102									1L			
37	2b		89C22103									1L			
37	2c		89C22104									1L			
37	3		89C22107									1L			
37	3		89C22107-50									1L			
37	3		89C22107-51									1L			
37	3		89C22107-53									1L			
37	3		89C22107-54									1L			
37	4		89C22115									1L			
37	5		89C22121									1L			
37	6		89C22127									1L			
37	7		89C22132									1L			
37	8		89C22133									1L			
37	9		89C22137									1L			
37	10		89C22141									1L			
37	11		89C22142									1L			
37	12		93C22142									1L			
37	13		89C22147									1L			

Unless otherwise noted all parts are in class 01-N.

RESTRICTED
AN 01-65BC-4
SECTION II—GROUP ASSEMBLY PARTS LISTS

FIG. NO.	INDEX NO.	STOCKED	GROUP		WING						UNITS PER ASSY	PROPERTY CLASSIFICATION			
			MAJOR ASSEMBLY		FRAME ASSEMBLY							U.S. NAVY	U.S. ARMY	BRITISH	
			PART NUMBER	1	2	3	4	5	6	NOMENCLATURE					
37	14		89C22148									1L			
37	15		89C22154									1L			
37	16		89C22128									1L			
37	17		89C22164									1L			
37	18		89C22168									1L			
37	63		89C22312-1									4			
37	64		89C22312-2									4			
37	19		89C22171									1L			
37	63		89C22312-1									4			
37	64		89C22312-2									4			
37	20		89C22174									1L			
37	63		89C22312-1									4			
37	64		89C22312-2									4			
37	21		89C22177									1L			
37	63		89C22312-1									4			
37	64		89C22312-2									4			
37	22		89C22180									1L			
37	63		89C22312-1									4			
37	64		89C22312-2									4			
37	23		89C22183									1L			
37	63		89C22312-1									4			
37	64		89C22312-2									4			
37	24		89C22186									1L			
37	25		89C22189									1L			
37	26		89C22192									1L			
37	27		89C22194									1L			
37	28		89C22295									1			
37	29		89C22296									1			
37	30		89C22907									1L			
37	31		89C22212									1L			
37	32		89C22211									1L			

Unless otherwise noted all parts are in class OI-N.

RESTRICTED
AN 01-65BC-4
SECTION II—GROUP ASSEMBLY PARTS LISTS

FIG. NO.	INDEX NO.	STOCK E D	GROUP		WING						UNITS PER ASSY	PROPERTY CLASSIFICATION			
			MAJOR ASSEMBLY		FRAME ASSEMBLY							U.S. NAVY	U.S. ARMY	BRITISH	
			PART NUMBER		1	2	3	4	5	6					NOMENCLATURE
37	32a		89C22352									2		01-N	
37	33		AN6-14A									3		04-A	
37	34		AN6-11A									2		04-A	
37	35		AN3-5A									14		04-A	
37	36		AN4-7A									10		04-A	
37	37		AN4-6A									7		04-A	
37	38		AN3-6A									5		04-A	
37	39		AN5-6A									5		04-A	
37	40		S-52-416-17									4		01-N	
37	41		AN5-7A									4		04-A	
37	42		AN5-13A									2		04-A	
37	43		AN365-524									13		04-A	
37	44		AN365-428									25		04-A	
37	45		AN365-1032									25		04-A	
37	46		AN365-624									5		04-A	
37	47		AN960-516									13		04-A	
37	48		AN960-416									25		04-A	
37	49		AN960-10									25		04-A	
37	50		AN960-616									7		04-A	
37	51		89C22807									1		01-N	
37	52		AN26-20A									2		04-A	
37	53		89C22119									11		01-N	
37	54		AN45-6									2		04-A	
37	55		AN4-10A									4		04-A	
37	56		AN960-516L									4		04-A	
37	57		AN960-D-10									2		04-A	
37	58		AN6-12A									2		04-A	
			AN960-428									2		04-A	
37	60		AN960-D616									2		04-A	
37	61		AN364-624									2		04-A	
37	62		89C22436									11		01-N	

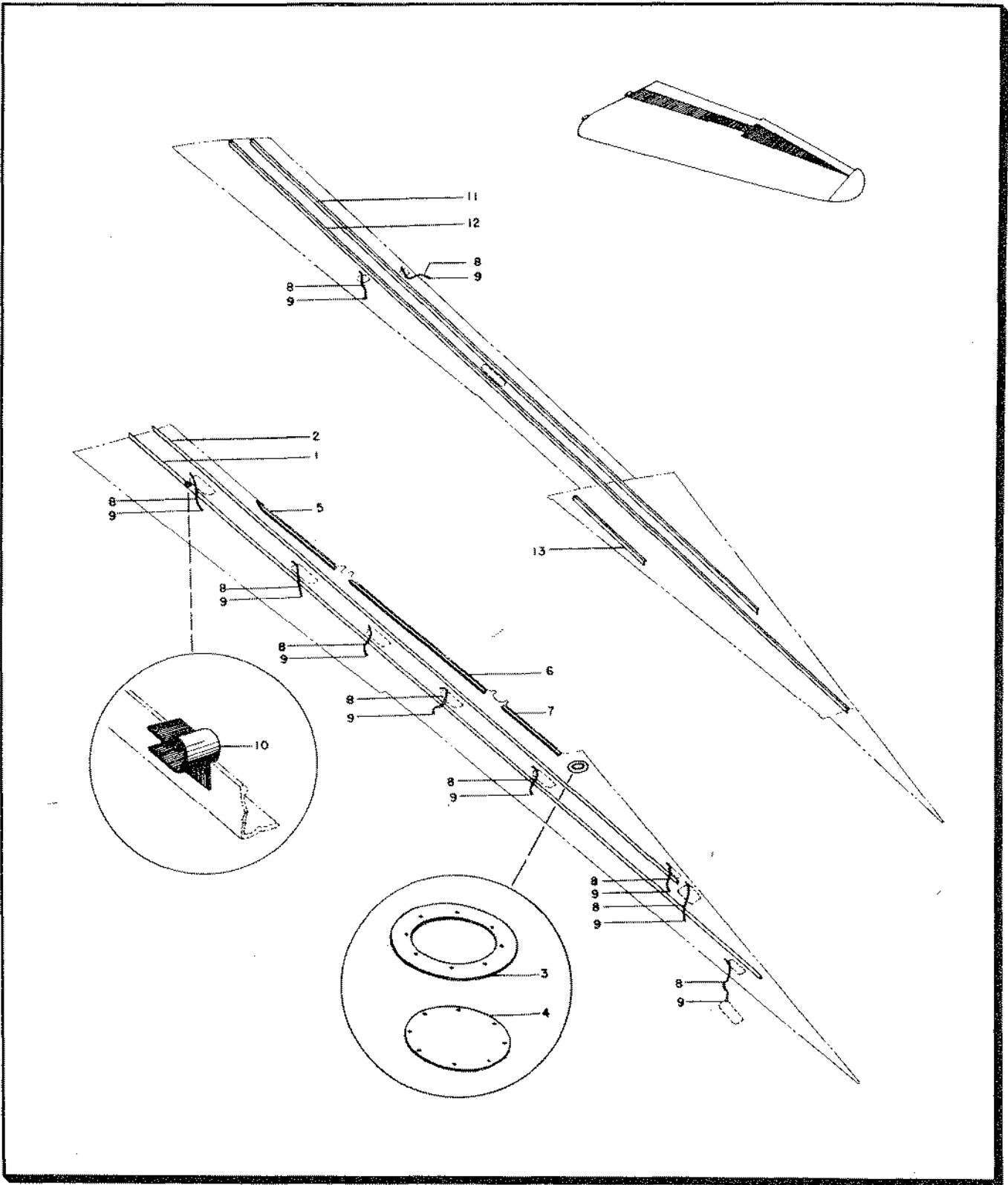


Figure 38—Top and Lower Cover Assemblies

RESTRICTED
AN 01-65BC-4
SECTION II—GROUP ASSEMBLY PARTS LISTS

FIG. NO.	INDEX NO.	S T O C K E D	GROUP						UNITS PER ASSY.	PROPERTY CLASSIFICATION			
			WING							U.S. NAVY	U.S. ARMY	BRITISH	
			MAJOR ASSEMBLY	LOWER COVER ASSEMBLY-AFT SECTION-WING									NOMENCLATURE
PART NUMBER	1	2	3	4	5	6							
37	2A		89C22102						Lower Cover Assembly-Aft Section - Wing	1L/1R			
38	1		89C22102-3						Stringer	1L/1R			
38	2		89C22102-4						Stringer	1L/1R			
REF.			89C22299						Door Assembly - Wing Round Access Hole	1			
38	3		89C22299-2						Ring	1			
38	4		89C22299-3						Cover	1			
38	5		89C22102-5						Extruded Strip - (S-170)	1L/1R			
38	6		89C22102-6						Extruded Strip - (S-170)	1L/1R			
38	7		89C22102-7						Extruded Strip - (S-170)	1L/1R			
38	8		S-317-3						Chain	8			
38	9		S-318						End Chain	8			
38	10		S-9796-6L						Clamp	1			
38	11		89C22103-4						Extruded Strip	1L/1R			
38	12		89C22103-5						Extruded Strip	1L/1R			
38	13		89C22106						Trailing Edge Assem. Wing - Outboard	1L/1R			
THE PART NUMBER APPEARING AFTER "REF." IN THE "FIG.NO." COLUMN IS USED FOR BREAK-DOWN PURPOSES ONLY, AND IS NOT TO BE ORDERED AS A PART.													

Unless otherwise noted all parts are in class 01-N.

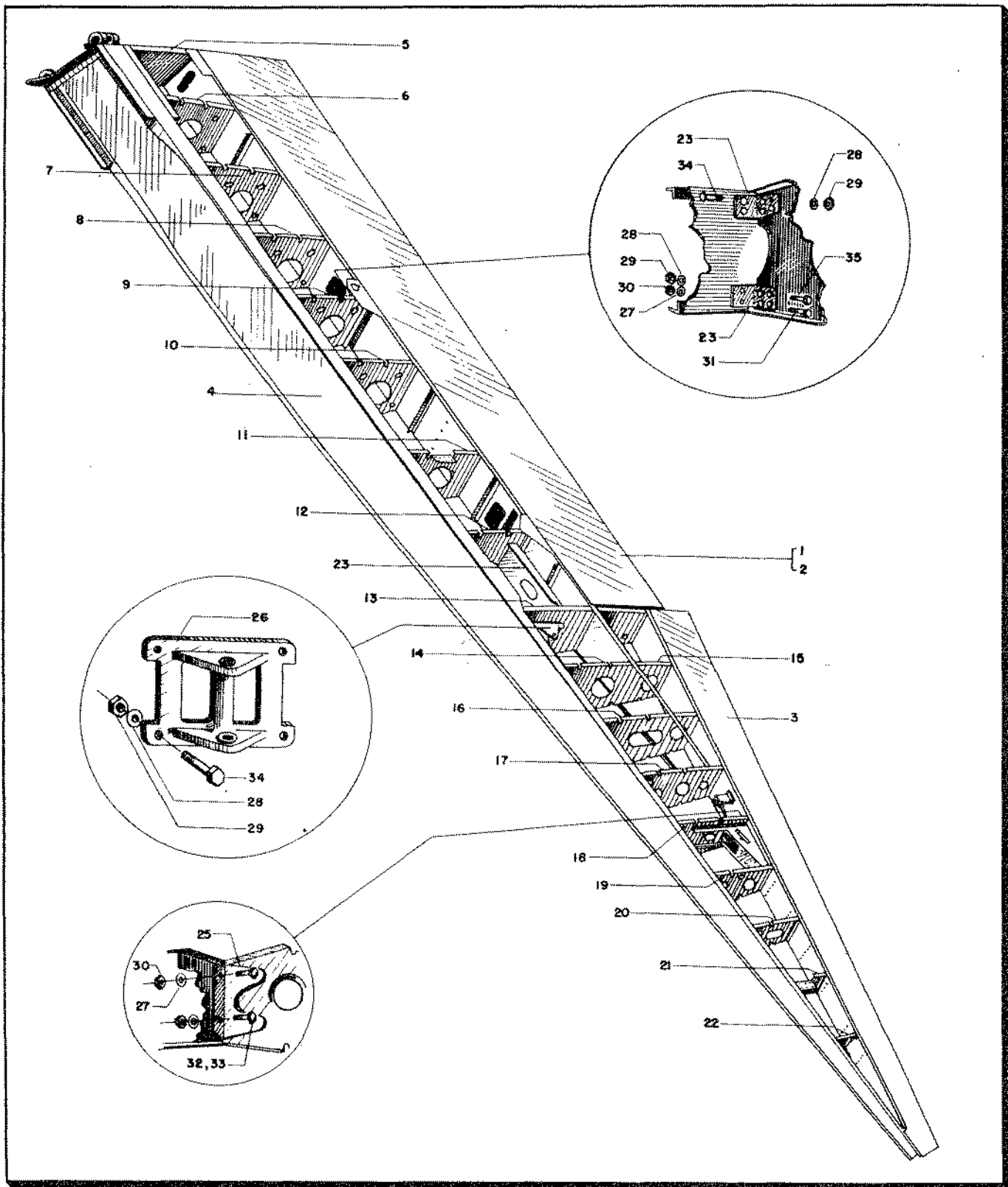


Figure 39—Wing—Frame Assembly—Aft

RESTRICTED
AN 01-65BC-4
SECTION II—GROUP ASSEMBLY PARTS LISTS

FIG. NO.	INDEX NO.	SYMBOL CODE	GROUP						UNITS PER ASSY	PROPERTY CLASSIFICATION			
			MAJOR ASSEMBLY		FRAME ASSEMBLY - AFT SECTION					WING	U.S. NAVY	U.S. ARMY	BRITISH
			PART NUMBER	1	2	3	4	5					
37	2C		89C22104-53						Frame Assembly-(P-47B)	1L/1R			
37	2C		89C22104-55						Frame Assembly-(P-47C-1-RE)	1L/1R			
37	2C		89C22104-54						Frame Assembly-(P-47C-1-RE up to P-47D-10-RE)	1L/R			
37	2C		89C22104-56						Frame Assembly-(P-47D-10-RE and up)	1L/1R			
39	1		89C22105-53						Trailing Edge Assem. Inboard (P-47C-1-RE and up)	1L/1R			
39	1		89C22105-54						Trailing Edge Assem. Inboard (P-47B and P-47C-1-RE)	1L/1R			
39	2		99C22105						Trailing Edge Assembly Inboard (P-47D-10-RE and up)	1L/1R			
39	3		89C22106-53						Trailing Edge Assem. Outboard (P-47B)	1L/1R			
39	3		89C22106-54						Trailing Edge Assem. Outboard (P-47C and P-47D)	1L/1R			
39	4		89C22112						Spar 2	1L/1R			
39	5		89C22122-54						Rib 26-3/4 (P-47B, P-47C-1-RE)	1L/1R			
39	5		89C22122-53						Rib 26-3/4 (P-47C-1-RE and up)	1L/1R			
39	6		89C22129						Rib 40	1L/1R			
39	7		89C22134						Rib 52	1L/1R			
39	8		89C22138						Rib 64	1L/1R			
39	9		89C22143						Rib 74	1L/1R			
39	10		89C22149						Rib 86	1L/1R			
39	11		89C22155						Rib 104	1L/1R			
39	12		89C22160						Rib 118	1L/1R			
39	13		89C22165						Rib 132	1L/1R			
39	14		89C22169						Rib 142	1L/1R			
39	15		89C22199						Rib 142	1L/1R			
39	16		89C22172						Rib 152	1L/1R			
39	17		89C22175						Rib 162	1L/1R			
39	18		89C22178						Rib 172	1L/1R			
39	19		89C22181						Rib 182	1L/1R			
39	20		89C22184-53						Rib 192 - (P-47B, P-47C-1-RE)	1L/1R			
39	20		89C22184-54						Rib 192 - (P-47B, P-47C-1-RE)	1L/1R			
39	21		89C22187						Rib 202	1L/1R			
39	22		89C22190						Rib 212	1L/1R			
39	23		89C22253						Clip	1L/1R			
			89C22917						Baffle	1L/1R			
39	25		89C22337						Bracket	1			
39	26		89C22250						Bracket Assembly				
									Aileron Idler	1L/1R			
39	27		AN960D416						Washer	2			04-A
39	28		AN960D10						Washer	14			04-A
39	29		AN365-1032						Nuts	14			04-A
39	30		AN365-428						Nuts	4			04-A
39	31		AN4-6A						Bolts	2			04-A
39	32		AN4-13A						Bolts - (P-47B)	2			04-A
39	33		AN4-11A						Bolts (P-47C, P-47D)	2			04-A
39	34		AN3-6A						Bolts	12			04-A
39	35		AN3-5A						Bolts	2			04-A

Unless otherwise noted all parts are in class 01-N.

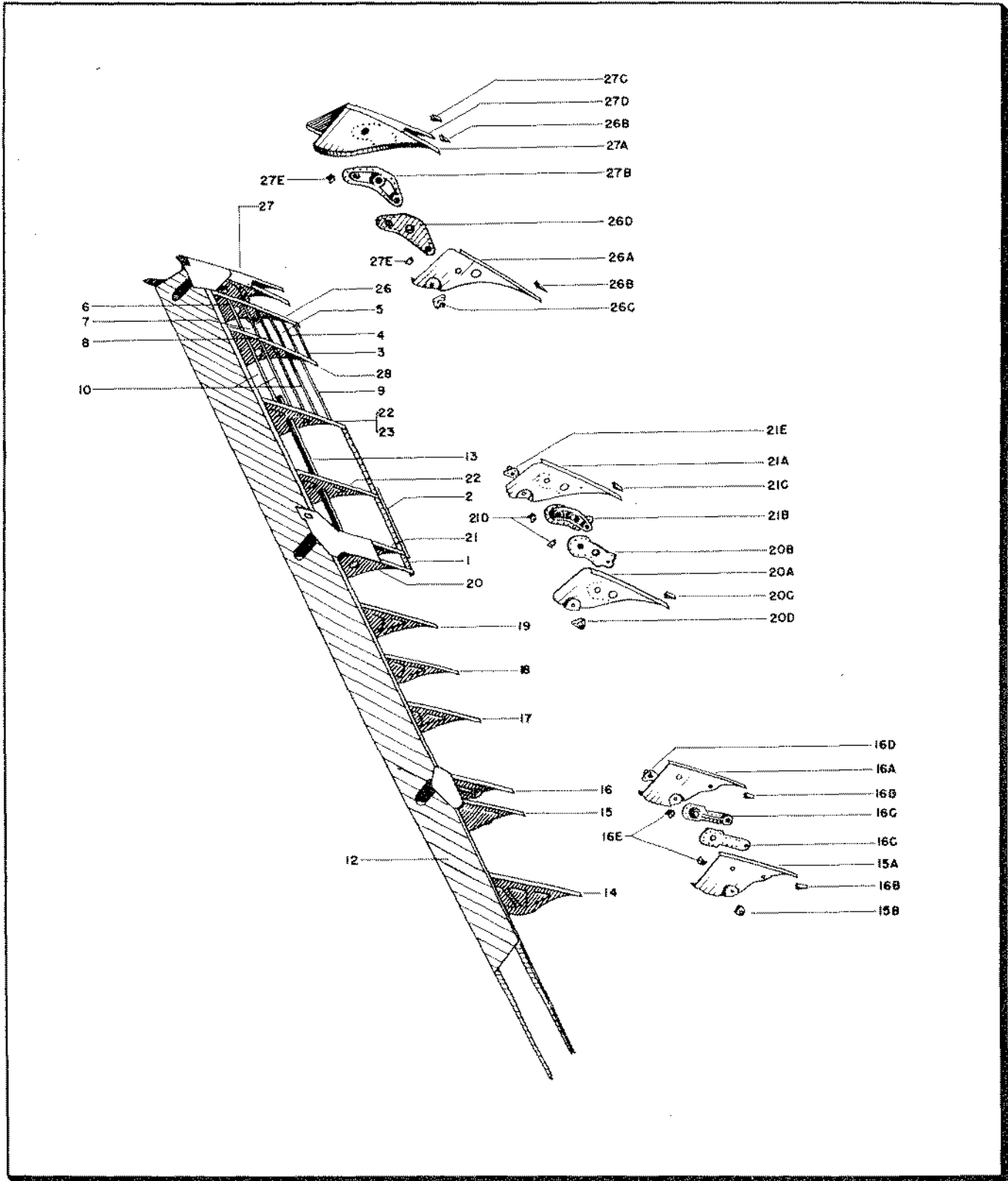


Figure 40—Wing—Inboard—Trailing Edge Assembly

RESTRICTED
AN 01-65BC-4
SECTION II—GROUP ASSEMBLY PARTS LISTS

FIG. NO.	INDEX NO.	S T O C K E D	GROUP							UNITS PER ASSY	PROPERTY CLASSIFICATION			
			MAJOR ASSEMBLY		WING						NOMENCLATURE	U.S. NAVY	U.S. ARMY	BRITISH
			PART NUMBER	2	3	4	5	6	7					
39	1		89C22105-53							Trailing Edge Assembly (P-47C-1-RE and up)	1L/1R			
39	1		89C22105-54							Trailing Edge (To P-47C- 1-RE)	1L/1R			
40	1		89C22105-13							Extruded Strip (S-171)	1L/1R			
40	2		89C22105-14							Trailing Edge	1L/1R			
40	3		89C22105-15							Stringer	1L/1R			
40	4		89C22105-16							Stringer	1L/1R			
40	5		89C22105-17							Stringer	1L/1R			
40	6		89C22105-18							Stringer	1L/1R			
40	7		89C22105-19							Stringer	1L/1R			
40	8		89C22105-20							Stringer	1L/1R			
40	9		89C22105-21							Stringer	1L/1R			
40	10		89C22105-22							Stringer	3L/3R			
40	12		89C22113							Stringer	1L/1R			
40	13		89C22116							Spar 3	1L/1R			
										Installation - Flap				
40	14		89C22166							Linkage	1L/1R			
40	15		89C22196							Rib 132	1L/1R			
40	15A		89C22196-1							Rib 119.31	1L/1R			
40	15B		89C22328							Web	1L			
40	15C		89C22397-15							Housing	1			
40	16		89C22161							Block	1			
40	16A		89C22161-1							Rib 115.71	1L/1R			
40	16B		89C22397-15							Web	1L			
40	16C		89C22309							Block	1			
40	16D		89C22328							Plate	1R			
40	16E		89C22293							Housing	1			
40	17		89C22156							Clip	1			
40	18		89C22152							Rib 104	1L/1R			
40	19		89C22150							Rib 95	1L/1R			
40	20		89C22145							Rib 86	1L/1R			
40	20A		89C22145-1							Rib 75.32	1L/1R			
40	20B		89C22310							Web	1L			
40	20C		89C22397-14							Plate	1R			
40	20D		89C22328							Block	1			
40	21		89C22144							Clip	1			
40	21A		89C22144-1							Rib 71.69	1L/1R			
40	21B		89C22310							Web	1L			
40	21C		89C22397-14							Plate	1L			
40	21D		89C22293							Block	1			
40	21E		89C22328							Clip	1			
40	22		89C22139							Housing	1			
40	23		89C22135-54							Rib 64	1L/1R			
			89C22135-53							Rib 52 (P-47B, P-47C- 1-RE)	1L/1R			
										Rib 52 (P-47C-1-RE and up)	1L/1R			
40	26		89C22130							Rib 40	1L/1R			
40	26A		89C22197							Rib 31.68	1L/1R			
40	26B		89C22197-1							Web	1L			
40	26C		89C22397-14							Block	1			
40	26D		89C22328							Housing	1			
40	27		89C22311							Plate Assembly	1			
40	27A		89C22123							Rib	1L/1R			
40	27B		89C22125-3							Rib 28.19	1L			
40	27C		89C22311L							Plate	1R			
40	27D		89C22397-14							Block	1			
40	27E		89C22124							Rib 26-3/4	1L			
			89C22293							Clip	1			
			89C22105-35							Stringer	1L/1R			
			S-52-8-3							Screw	7			
			89C22499-1							Block	1			
			89C22499-2							Block	1			

Unless otherwise noted all parts are in class 01-N.

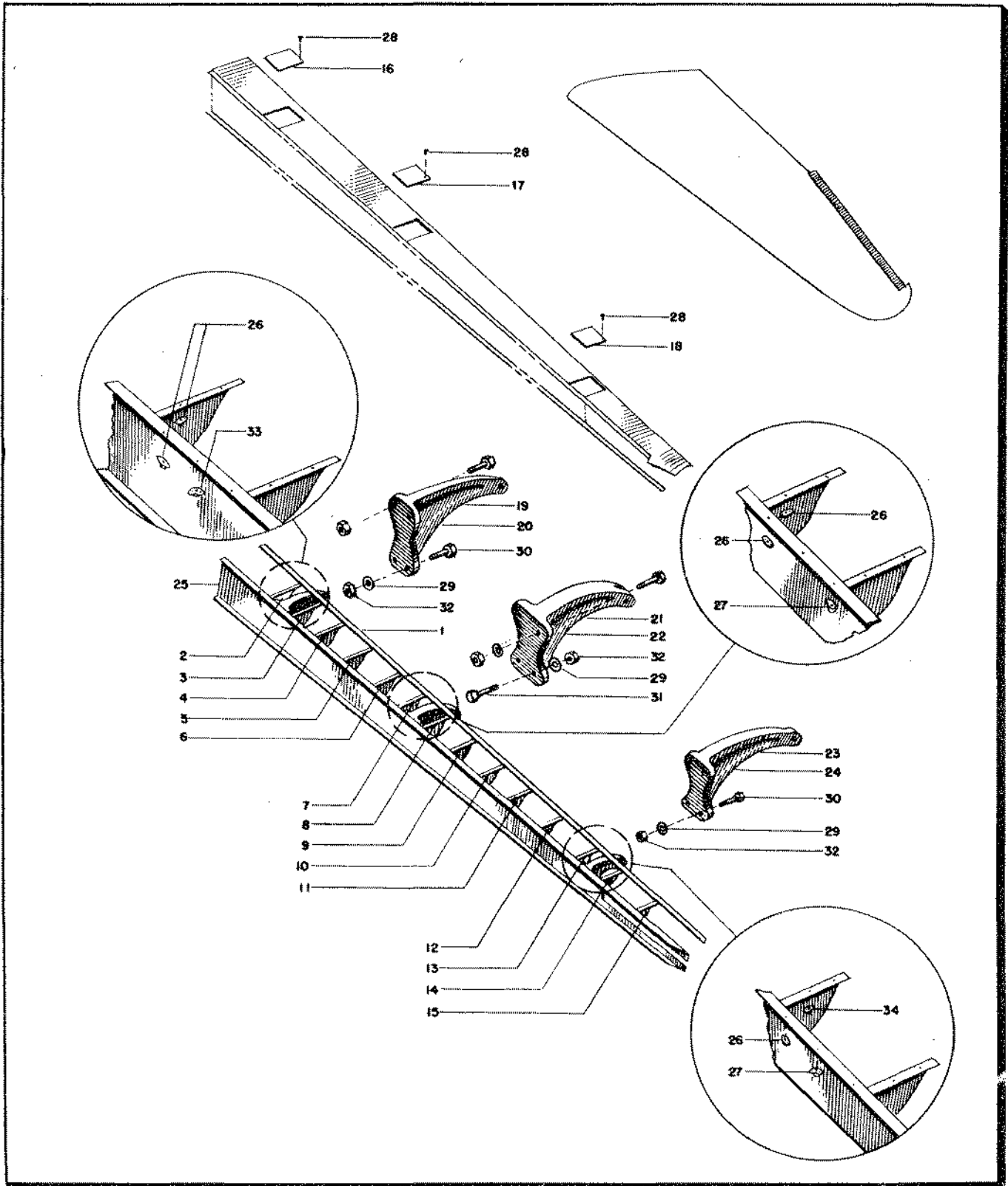


Figure 41—Wing—Outboard—Trailing Edge Assembly

RESTRICTED
AN 01-65BC-4
SECTION II—GROUP ASSEMBLY PARTS LISTS

FIG. NO.	INDEX NO.	STOCKED	GROUP		WINGS						UNITS PER ASSY	PROPERTY CLASSIFICATION							
			MAJOR ASSEMBLY		TRAILING EDGE ASSEMBLY							U.S. NAVY	U.S. ARMY	BRITISH					
			PART NUMBER		1	2	3	4	5	6					NOMENCLATURE				
39	3		89C22106																
41	1		89C22106																
41	2		89C22195-1																
41	3		89C22195-2																
41	4		89C22195-3																
41	5		89C22195-4																
41	6		89C22195-5																
41	7		89C22195-6																
41	8		89C22195-7																
41	9		89C22195-8																
41	10		89C22195-9																
41	11		89C22195-10																
41	12		89C22195-11																
41	13		89C22195-12																
41	14		89C22195-13																
41	15		89C22195-14																
41	16		89C22538																
41	17		89C22539																
41	18		89C22540																
41	19		89C22534																
41	20		89C22531																
41	21		89C22535																
41	22		89C22532																
41	23		89C22536																
41	24		89C22533																
41	25		89C22114																
41	26		AN366-F-832																
41	27		AN22A5-32																
41	28		S-52-8-1																
41	29		AN960-D416																
41	30		AN4-7A																
41	31		AN4-11A																
41	32		AN365-428																
41	33		22A17-82																
41	34		367-F832																

Unless otherwise noted all parts are in class 01-N.

04-A
04-A
04-A
04-A
04-A
04-A
04-A
04-A
04-A
04-A

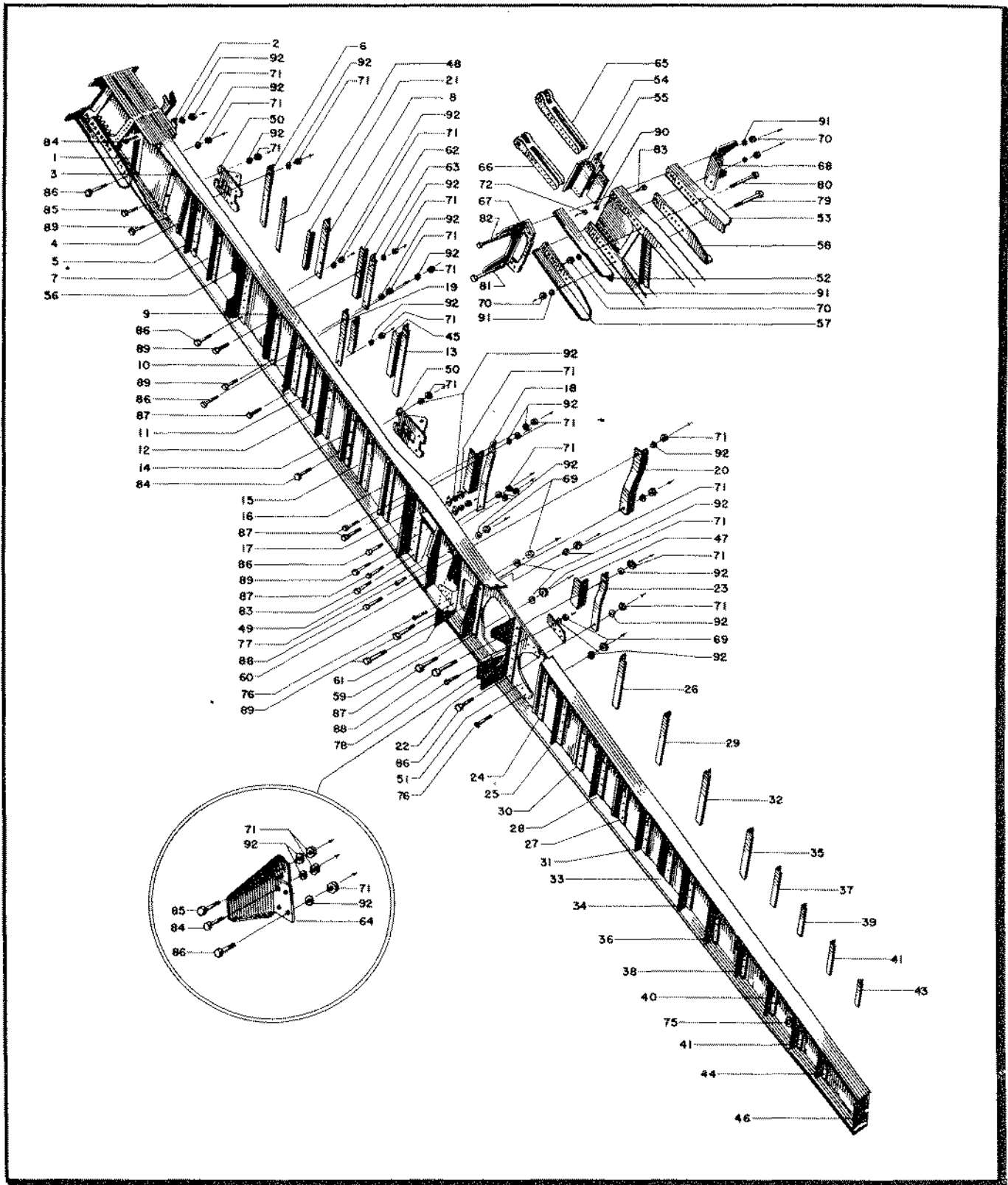


Figure 42—Spar No. 2 Assembly

RESTRICTED
AN-01-65BC-4
SECTION II—GROUP ASSEMBLY PARTS LISTS

FIG. NO.	INDEX NO.	STOCK #	WING								UNITS PER ASSY	PROPERTY CLASSIFICATION			
			GROUP		SPAR - NO. 2 Assembly							NOMENCLATURE	U.S. NAVY	U.S. ARMY	BRITISH
			MAJOR ASSEMBLY	PART NUMBER	6	7	8	9	10	11					
39	4		89C22112		Spar 2 Assembly						1L-1R				
42	1		89C22112-5		Angle (S-148)						1L				
42	2		89C22112-6		Angle (S-147)						1				
42	3		89C22112-7		Angle (Alcoa 16692)						1L				
42	4		89C22112-8		Angle (Alcoa 16692)						1L				
42	5		89C22112-10		Angle (S-148)						1				
42	6		89C22112-11		Angle (S-147)						1				
42	7		89C22112-12		Angle						1				
42	8		89C22112-14		Angle (S-147)						1				
42	9		89C22112-15		Angle (Alcoa L-24337)						1L				
42	10		89C22112-16		Angle (Alcoa L-28898)						1				
42	11		89C22112-19		Angle						1				
42	12		89C22112-20		Angle (S-147)						1				
42	13		89C22112-21		Angle (S-150)						1L				
42	14		89C22112-22		Angle						1L				
42	15		89C22112-23		Angle						1L				
42	16		89C22112-24		Angle						1L				
42	17		89C22112-25		Angle (S-146)						1L				
42	18		89C22112-26		Angle (S-147)						1L				
42	19		89C22112-17		Angle (S-149)						1L				
42	20		89C22112-27		Angle (S-148)						1L				
42	21		89C22112-28		Angle (S-298)						1L				
42	22		89C22112-29		Angle (S-204)						1L				
42	23		89C22112-30		Angle (Alcoa-22885)						1L				
42	24		89C22112-31		Angle (Alcoa-16692)						1				
42	25		89C22112-32		Angle (Alcoa-22877)						1				
42	26		89C22112-33		Angle (S-150)						1				
42	27		89C22112-34		Angle						1L				
42	28		89C22112-35		Angle (Alcoa 22877)						1				
42	29		89C22112-36		Angle (S-150)						1				
42	30		89C22112-37		Angle (Alcoa 16692)						1				

Unless otherwise noted all parts are in class OI-N.

RESTRICTED
AN-01-65BC-4
SECTION II—GROUP ASSEMBLY PARTS LISTS

FIG. NO.	INDEX NO.	STOCKED	GROUP		WING							UNITS PER ASSY	PROPERTY CLASSIFICATION			
			MAJOR ASSEMBLY		SPAR - NO. 2 Assembly								U.S. NAVY	U.S. ARMY	BRITISH	
			PART NUMBER		6	7	8	9	10	11	NOMENCLATURE					
42	31		89C22112-38									Angle (Alcoa 22877)	1L			
42	32		89C22112-39									Angle (S-150)	1L			
42	33		89C22112-40									Angle (Alcoa 6692)	1L			
42	34		89C22112-41									Angle (Alcoa 22877)	1L			
42	35		89C22112-42									Angle (S-150)	1L			
42	36		89C22112-43									Angle (Alcoa 22877)	1L			
42	37		89C22112-44									Angle (S-150)	1			
42	38		89C22112-45									Angle (Alcoa 22877)	1L			
42	39		89C22112-46									Angle (S-150)	1			
42	40		89C22112-47									Angle (Alcoa 22877)	1			
42	41		89C22112-48									Angle (S-150)	1			
			89C22112-49									Angle (Alcoa 22877)	1			
42	43		89C22112-50									Angle (S-150)	1L			
42	44		89C22112-51									Angle (Alcoa 22877)	1			
42	45		89C22112-52									Angle (Alcoa 22885)	1			
42	46		89C22112-53									Angle (S-149)	1			
42	47		89C22112-56									Angle (S-298)	1			
42	48		89C22112-58									Angle	1			
42	49		89C22112-59									Angle (Alcoa 22882)	1L			
42	50		89C22750									Bracket Aileron	2			
42	51		89C22351									Reinforcement Plate	1L			
42	52		89C22390									Reinforcement Angle	1L			
42	53		89C22382									Reinforcement Angle	1L			
42	54		89C22268									Angle - Front	1L			
42	55		89C22269									Angle - Rear	1L			
42	56		89C22383									Angle	1L			
42	57		89C22370-1									Angle	1L			
42	58		89C22370-2									Angle	1L			
42	59		89C22277									Bracket	1L			
42	60		89C22279									Bracket	1L			
42	61		89C22280									Bracket	1L			
42	62		89C22282									Bracket Inboard	1L			

Unless otherwise noted all parts are in class OI-N.

RESTRICTED
AN 01-65BC-4
SECTION II—GROUP ASSEMBLY PARTS LISTS

FIG. NO.	INDEX NO.	STOCKED	GROUP WING								UNITS PER ASSY	PROPERTY CLASSIFICATION		
			MAJOR ASSEMBLY		SPAR - NO. 2 ASSEMBLY							U.S. NAVY	U.S. ARMY	BRITISH
			PART NUMBER	6	7	8	9	10	11	NOMENCLATURE				
42	63		89C22283								1L		01-N	
42	64		89C22979								1L		01-N	
42	65		(89C22363 or 89C22323								1L		01-N	
42	66		(89C22364 89C22324								1L		01-N	
42	67		(89C22358 89C22318								1L		01-N	
42	68		(89C22359 89C22317								1L		01-N	
42	69		AN364-1032								39		04-A	
42	70		AN364-524								16		04-A	
42	71		AN365-1032								44		04-A	
42	72		AN365-428								6		04-A	
			AN365-424								4		04-A	
			AN931-7-11								1		04-B	
			AN931-10-14								1		04-B	
42	76		AN23-14A								20		04-A	
42	77		AN23-18A								15		04-A	
42	78		AN23-19A								4		04-A	
42	79		AN25-64A								8		04-A	
42	80		AN25-60A								8		04-A	
42	81		AN5-47A								6		04-A	
42	82		AN5-45A								2		04-A	
42	83		AN4-7A								10		04-A	
42	84		AN3-6A								6		04-A	
42	85		AN3-7A								5		04-A	
42	86		AN3-11A								14		04-A	
42	87		AN3-10A								4		04-A	
42	88		AN3-13A								2		04-A	
42	89		AN3-12A								9		04-A	
42	90		AN960-D-415								6		04-A	
42	91		AN960-D-515								20		04-A	
42	92		AN960-D-10								94		04-A	

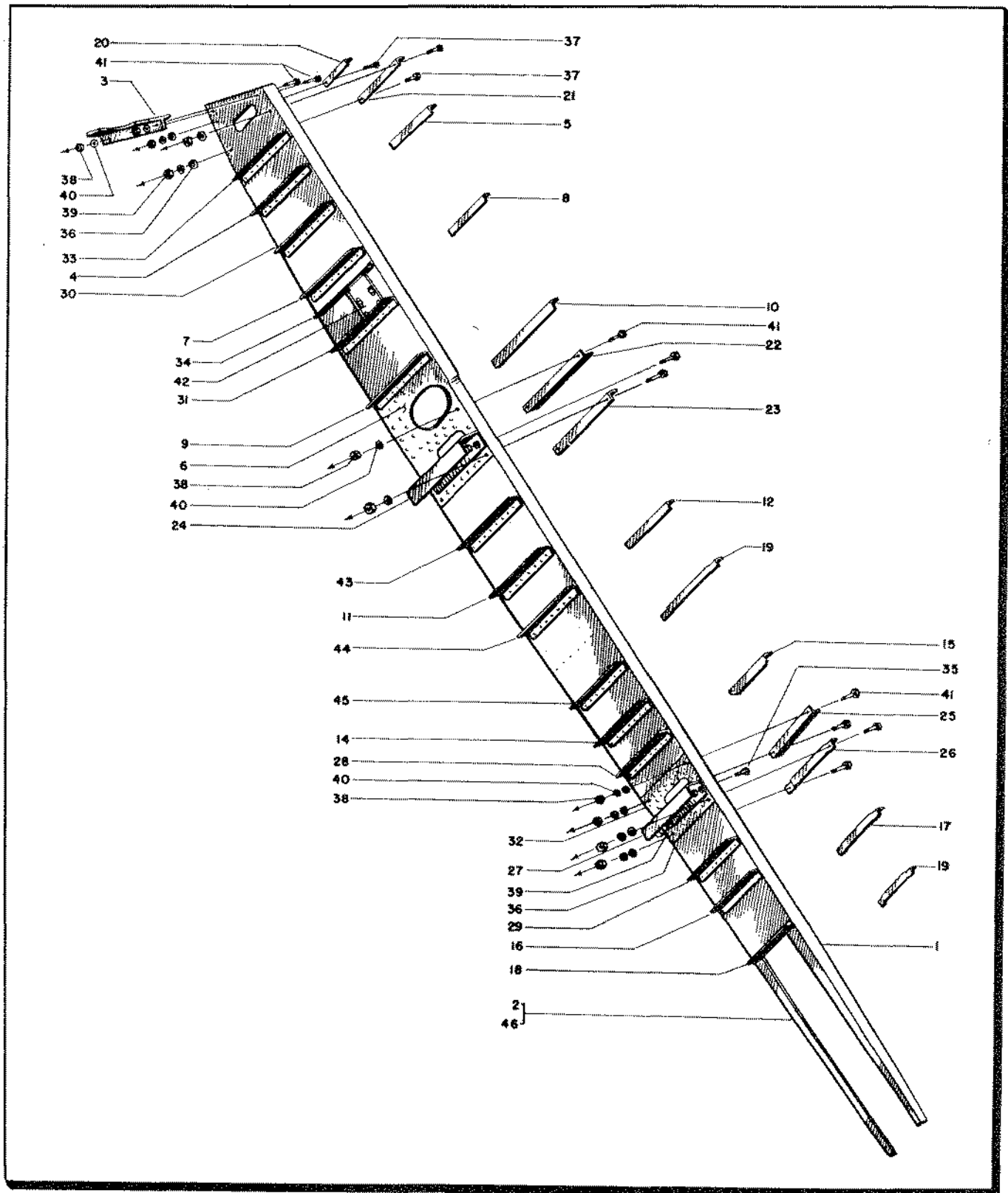


Figure 43—Spar No. 3 Assembly—(Inboard)

RESTRICTED
AN 01-65BC-4
SECTION II—GROUP ASSEMBLY PARTS LISTS

FIG. NO.	INDEX NO.	STOCKED	GROUP		WINGS							UNITS PER ASSY	PROPERTY CLASSIFICATION					
			MAJOR ASSEMBLY		SPAR 3 - ASSEMBLY INBOARD								U.S. NAVY	U.S. ARMY	BRITISH			
			PART NUMBER	6	7	8	9	10	11	NOMENCLATURE								
40	12		89C22113-53															
40	12		89C22113-54															
43	1		89C22113-1															
43	2		89C22113-2															
43	3		89C22113-4															
43	4		89C22113-5															
43	5		89C22113-6															
43	6		89C22113-7															
43	7		89C22113-8															
43	8		89C22113-9															
43	9		89C22113-11															
43	10		89C22113-12															
43	11		89C22113-13															
43	12		89C22113-14															
			89C22113-16															
43	14		89C22113-17															
43	15		89C22113-18															
43	16		89C22113-19															
43	17		89C22113-20															
43	18		89C22113-21															
43	19		89C22113-22															
43	20		89C22113-23															
43	21		89C22113-24															
43	22		89C22113-25															
43	23		89C22113-26															
43	24		89C22113-27															
43	25		89C22113-28															
43	26		89C22113-29															
43	27		89C22113-30															
43	28		89C22113-31															
43	29		89C22113-32															
43	30		89C22113-33															
43	31		89C22113-34															
43	32		89C22113-35															
43	33		89C22113-36															
43	34		89C22113-37															
43	35		AN3-6A															
43	36		AN960D10															
43	37		AN3-5A															
43	38		365-428															
43	39		365-1032															
43	40		AN960-D416															
43	41		AN4-6A															
43	42		89C22113-38															
43	43		89C22113-39															
43	44		89C22113-40															
43	45		89C22113-41															
43	46		89C22113-44															

Unless otherwise noted all parts are in class 01-N.

04-A
04-A
04-A
04-A
04-A
04-A
04-A

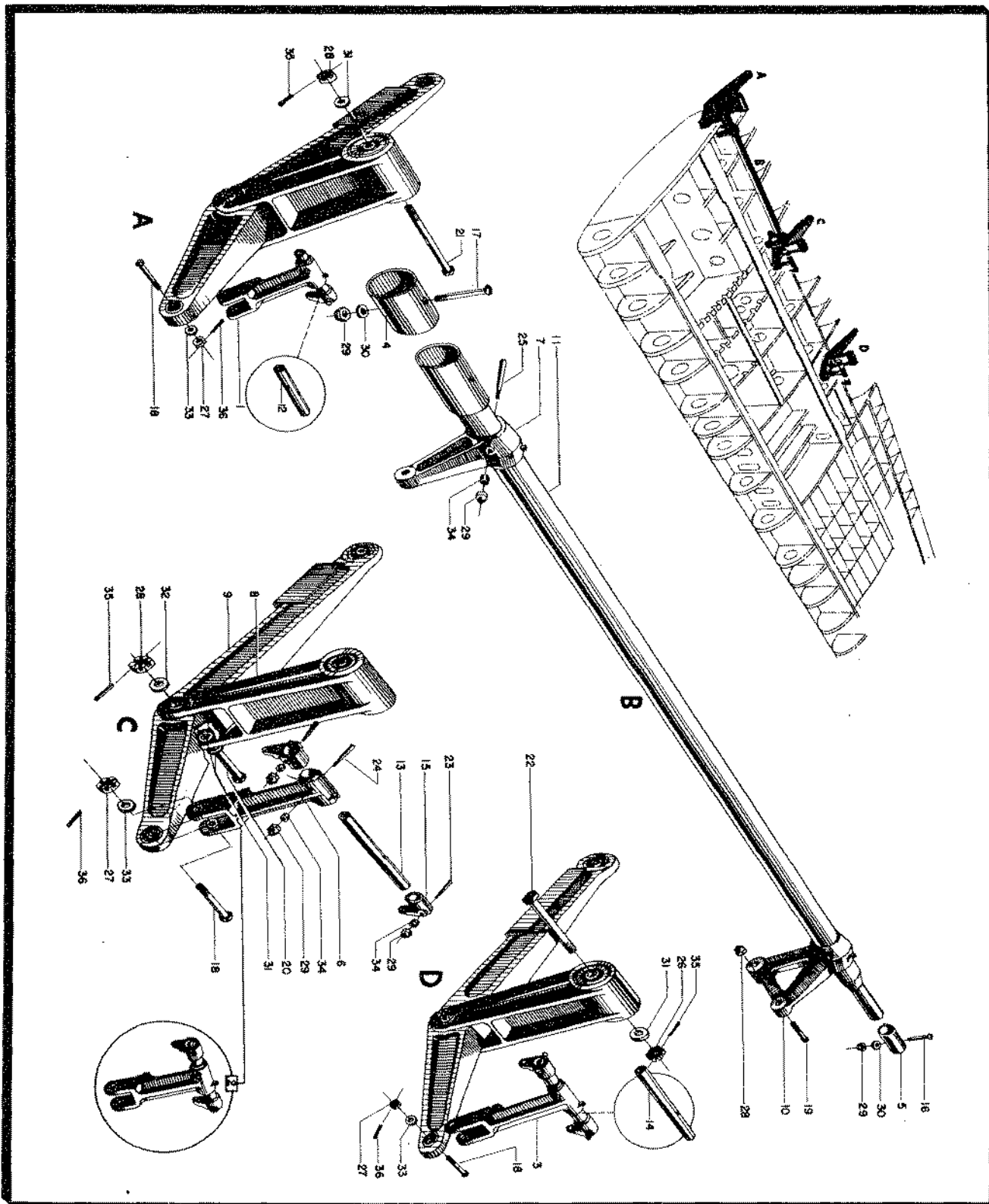


Figure 44—Flap Linkage

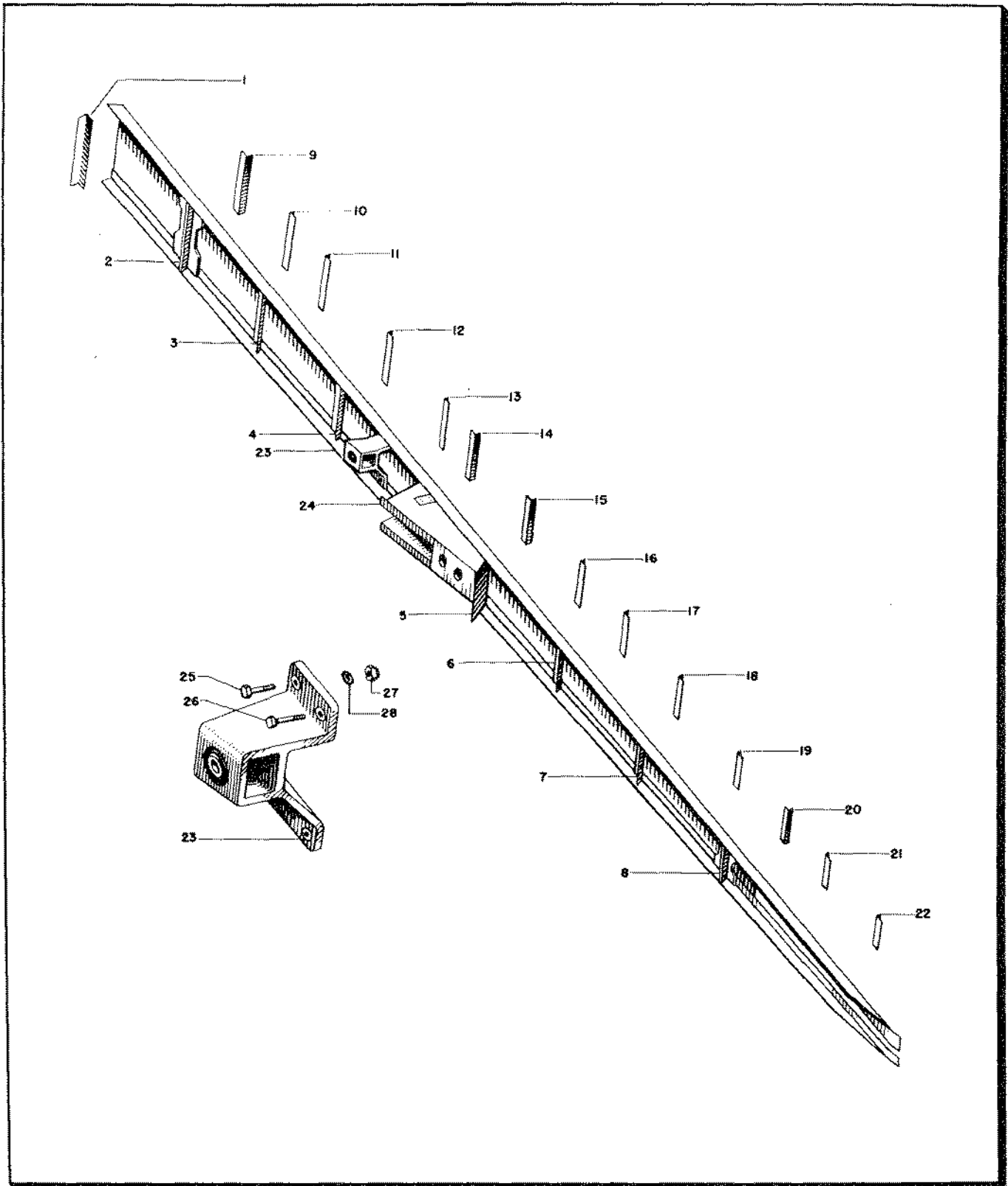


Figure 45—Spar No. 3 Assembly—(Outboard)

RESTRICTED
AN 01-65BC-4
SECTION II—GROUP ASSEMBLY PARTS LISTS

FIG. NO.	INDEX NO.	S T O C K E D	GROUP		WING								UNITS PER ASSY	PROPERTY CLASSIFICATION					
			MAJOR ASSEMBLY		SPAR 3 ASSEMBLY - OUTBOARD									U.S. NAVY	U.S. ARMY	BRITISH			
			PART NUMBER		2	3	4	5	6	7	8	NOMENCLATURE							
41	25		89C22114																
45	1		89C22114-4										1L						
45	2		89C22114-6										1L						
45	3		89C22114-7										1						
45	4		89C22114-8										1						
45	5		89C22114-10										1						
45	6		89C22114-11										1						
45	7		89C22114-12										1						
45	8		89C22114-13										1L						
45	9		89C22114-16										1L						
45	10		89C22114-17										1L						
45	11		89C22114-18										1L						
45	12		89C22114-19										1L						
45	13		89C22114-20										1L						
45	14		89C22114-21										1L						
45	15		89C22114-31										1L						
45	16		89C22114-23										1L						
45	17		89C22114-24										1L						
45	18		89C22114-25										1L						
45	19		89C22114-26										1L						
45	20		89C22114-27										1L						
45	21		89C22114-28										1L						
45	22		89C22114-29										1L						
45	23		89C22751										1						
45	24		89C22202										1						
45	25		AN3-6A										2						04-A
45	26		AN3-7A										2						04-A
45	27		AN365-1032										4						04-A
45	28		AN960-D10										4						04-A

Unless otherwise noted all parts are in class 01-W.

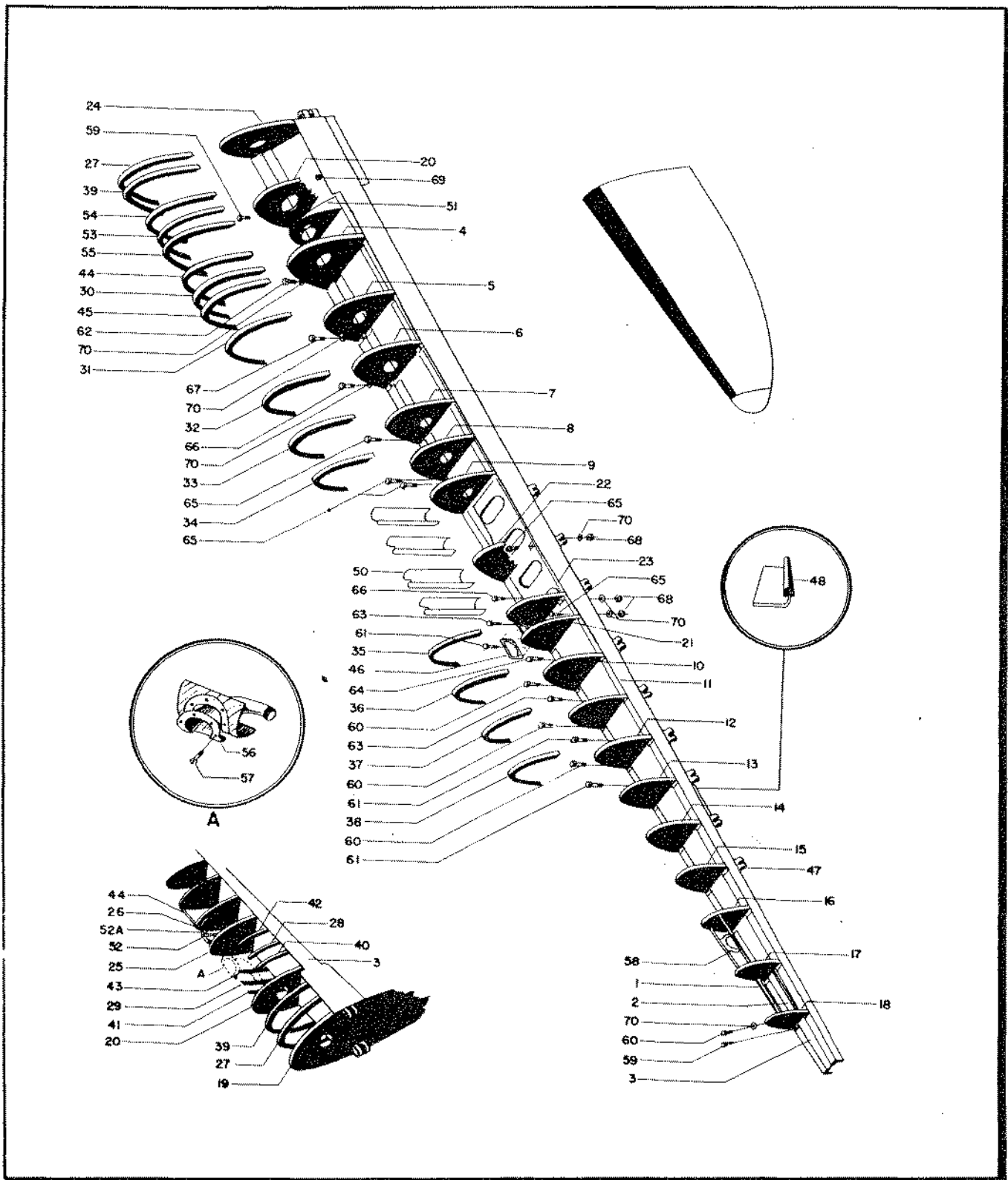


Figure 46—Leading Edge Assembly

RESTRICTED
AN 01-65BC-4
SECTION II—GROUP ASSEMBLY PARTS LISTS

FIG. NO.	INDEX NO.	STOCKED	GROUP		WING						UNITS PER ASSY	PROPERTY CLASSIFICATION			
			MAJOR ASSEMBLY		LEADING EDGE ASSEMBLY							U.S. NAVY	U.S. ARMY	BRITISH	
			PART NUMBER	1	2	3	4	5	6	NOMENCLATURE					
37	3		89C22107								Leading Edge Assembly	1L/1R			
46	1		89C22107-9								Stringer	1L/1R			
46	2		89C22107-13								Stringer	1			
46	3		89C22111								Spar 1 Assembly	1L/1R			
46	4		89C22131								Rib 52 Nose	1L			
46	5		89C22136								Rib 64 Nose	1L/1R			
46	6		89C22140								Rib 74 Nose	1L/1R			
46	7		89C22146								Rib 86 Nose	1L/1R			
46	8		89C22151								Rib 95 Nose	1L/1R			
46	9		89C22153								Rib 104 Nose	1L/1R			
46	10		89C22167								Rib 142 Nose	1L/1R			
46	11		89C22170								Rib 152 Nose	1L/1R			
46	12		89C22173								Rib 162 Nose	1L/1R			
46	13		89C22176								Rib 172 Nose	1L/1R			
46	14		89C22179								Rib 182 Nose	1L/1R			
46	15		89C22182								Rib 192	1L/1R			
46	16		89C22185								Rib 202 Nose	1L/1R			
46	17		89C22188								Rib 212	1L/1R			
46	18		89C22191								Rib 222	1L/1R			
46	19		89C22120								Rib 26-3/4 Nose	1R			
46	20		89C22126								Rib 40 Nose (P-47B)	1R			
46	20		93C22126								Rib 40 Nose (P-47C, P-47D)	1R			
46	21		89C22198								Rib 135-5/8	1L/1R			
46	22		89C22519								Rib 118 Nose	1L/1R			
46	23		89C22520								Rib 129 Nose	1L/1R			

Unless otherwise noted all parts are in class 01-N

RESTRICTED
AN 01-65BC-4
SECTION II—GROUP ASSEMBLY PARTS LISTS

FIG. NO.	INDEX NO.	STOCKED	GROUP						UNITS PER ASSY	PROPERTY CLASSIFICATION		
			WING							U.S. NAVY	U.S. ARMY	BRITISH
			MAJOR ASSEMBLY		LEADING EDGE ASSEMBLY							
PART NUMBER	1	2	3	4	5	6	NOMENCLATURE					
46	24							Rib 26-3/4 Nose	1			
46	25							Rib 52 Nose	1			
46	26							Rib 58 Nose	1			
46	27							Nose Stiffener	1L/1R			
46	28							Nose Stiffener	1R			
46	29							Nose Stiffener	1R			
46	30							Nose Stiffener	1L			
46	31							Nose Stiffener	1L/1R			
46	32							Nose Stiffener	1L/1R			
46	33							Nose Stiffener	1L/1R			
46	34							Nose Stiffener	1L/1R			
46	35							Nose Stiffener	1L/1R			
46	36							Nose Stiffener	1L/1R			
46	37							Nose Stiffener	1L/1R			
46	38							Nose Stiffener	1L/1R			
46	39							Nose Stiffener	1L/1R			
46	40							Nose Stiffener	1R			
46	41							Nose Stiffener	1R			
46	42							Nose Stiffener	1R			
46	43							Nose Stiffener	1R			
46	44							Nose Stiffener	1L			
46	45							Nose Stiffener	1L/1R			
46	46							Installation - Access Door	L/R			
46	47							Installation - Armament Door Lugs	1L/1R			
REF.								Installation - Armament Door Seal	1L/1R			
46	48							Door Seal (Johnson Rubber Co.) As Req.			04-B	
46	49							Cockpit Air Duct	1R			

Unless otherwise noted all parts are in class 01-N.

THE PART NO. APPEARING AFTER "REF." IN THE "FIG. NO." COLUMN IS USED FOR BREAK-DOWN PURPOSES ONLY, AND IS NOT TO BE ORDERED AS A PART.

RESTRICTED
AN 01-65B0-4
SECTION II—GROUP ASSEMBLY PARTS LISTS

FIG. NO.	INDEX NO.	S T O C K E D	GROUP		WING						UNITS PER ASSY	PROPERTY CLASSIFICATION				
			MAJOR ASSEMBLY		LEADING EDGE ASSEMBLY							U.S. NAVY	U.S. ARMY	BRITISH		
			PART NUMBER		1	2	3	4	5	6					NOMENCLATURE	
46	50		89C22513									Installation - Gun Troughs	1L-1R			
46	51		89C22550									Installation - Bracket Oxygen Bottle Support	1L			
46	52		89C22553									Installation - Access Door Gun Cover	1R			
46	52A		89C22556									Window Wing Gun Camera	1R			
46	53		89C22462-1									Nose Stiffener	1L-1R			
46	54		89C22542-1									Nose Stiffener	1L			
46	55		89C22543-1									Nose Stiffener	1L			
Ref.			89C22218									Installation and Details Air Duct				
46	56		89C22218-1									Duct Assembly	1			
46	57		S-52-10-2									Screw	10			
46	58		93C22300-1									Installation - Recognition Light (P-47C-RE only)	1R			
46	59		AN3-5A									Bolt	6			04-A
46	60		AN3-6A									Bolt	6			04-A
46	61		AN3-7A									Bolt	6			04-A
46	62		AN3-10A									Bolt	2			04-A
46	63		AN3-11A									Bolt	2			04-A
46	64		AN3-12A									Bolt	1			04-A
46	65		AN3-13A									Bolt	9			04-A
46	66		AN3-14A									Bolt	3			04-A
46	67		AN3-15A									Bolt	2			04-A
46	68		AN365-1032									Nut	4			04-A
46	69		AN364-624									Nut	1			04-A
46	70		AN960-10									Washer	22			04-A

THE PART NO. APPEARING AFTER "REF." IN THE "FIG.NO." COLUMN IS USED FOR BREAK-DOWN PURPOSES ONLY, AND IS NOT TO BE ORDERED AS A PART.

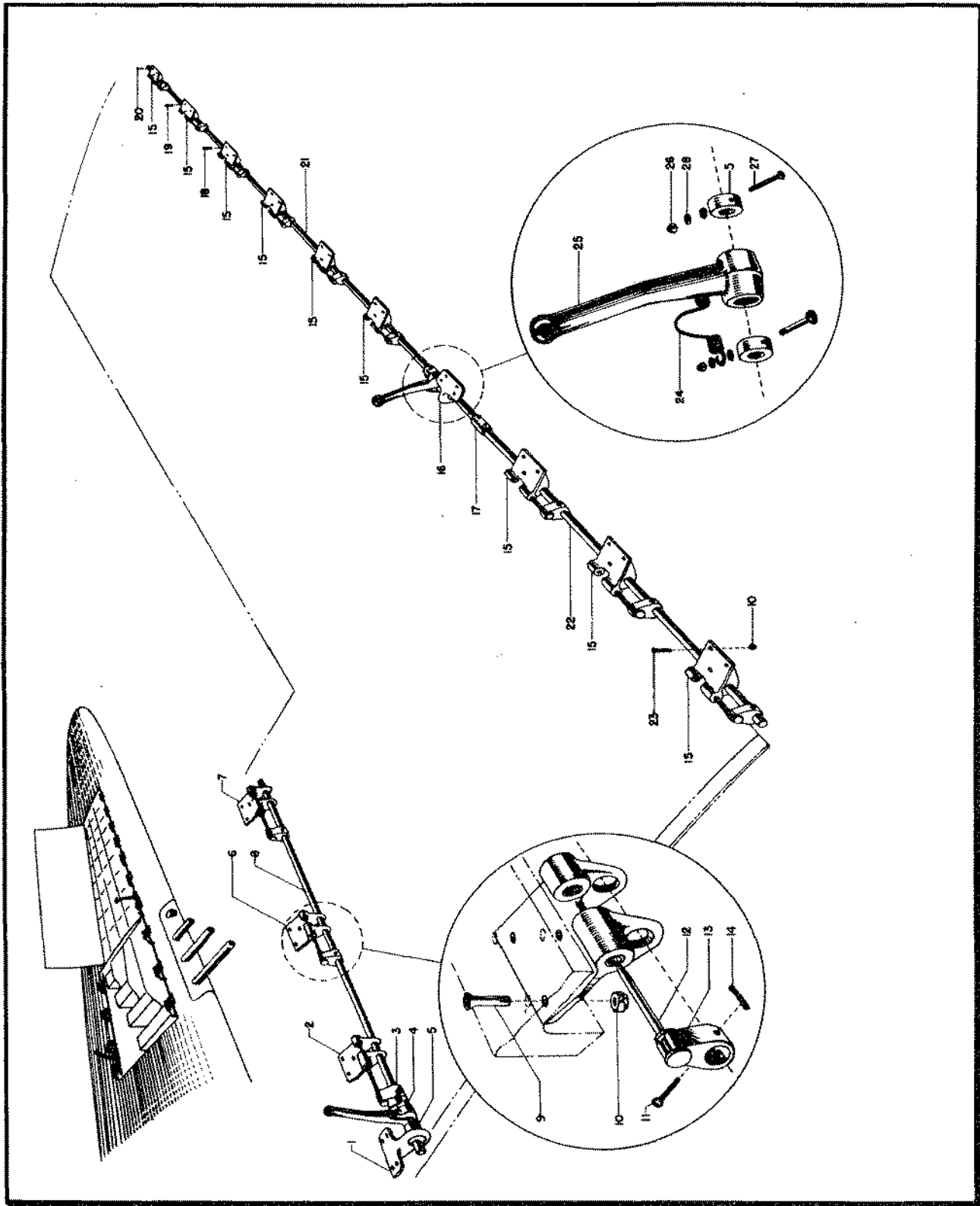


Figure 47—Door Lugs

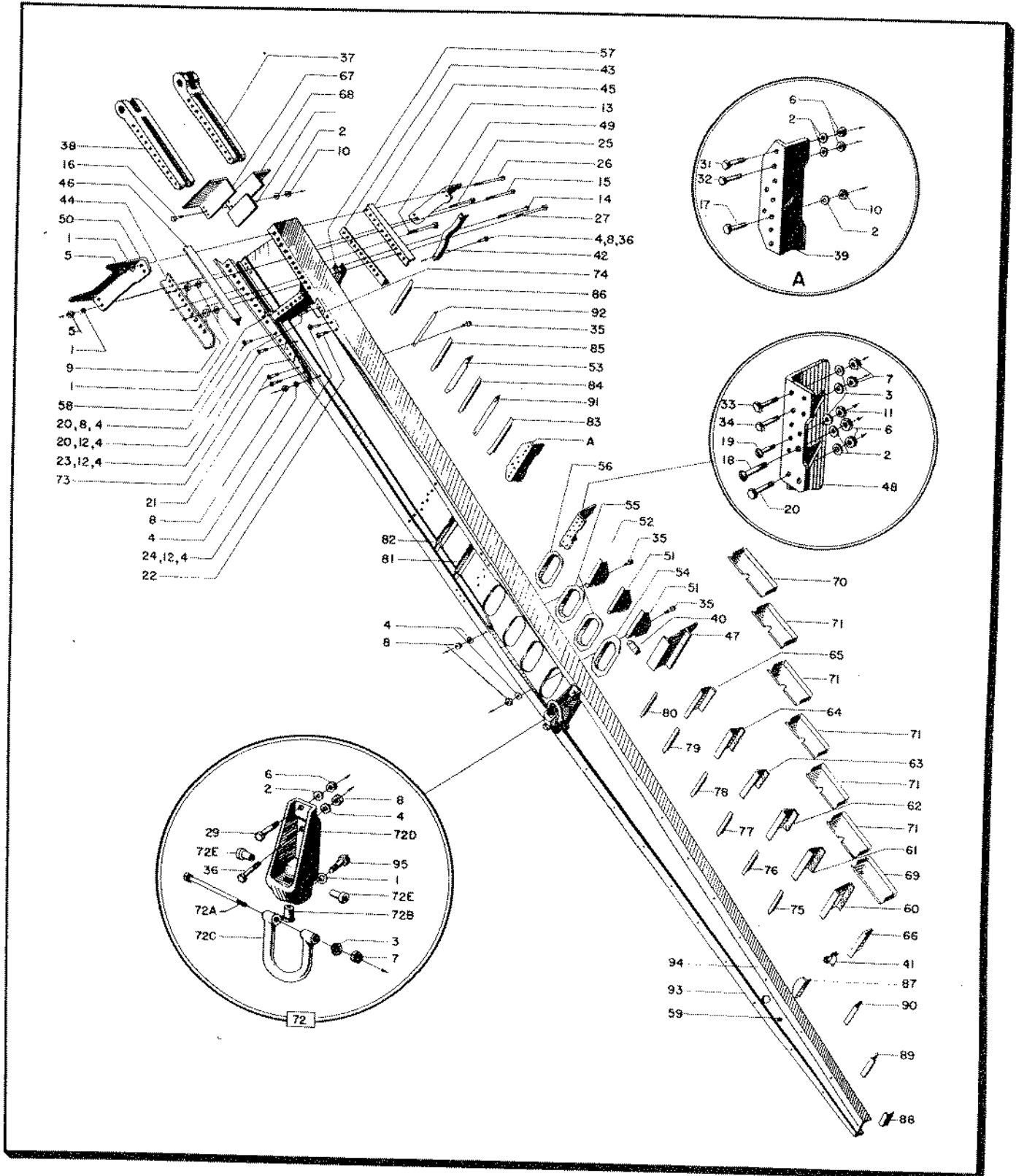


Figure 48—Spar No. 1 Assembly

RESTRICTED
AN 01-65BC-4
SECTION II—GROUP ASSEMBLY PARTS LISTS

FIG. NO.	INDEX NO.	SYMBOL	GROUP						WINGS		PROPERTY CLASSIFICATION			
			MAJOR ASSEMBLY		SPAR 1 ASSEMBLY				UNITS PER ASSY	U.S. NAVY	U.S. ARMY	BRITISH		
			PART NUMBER	1	2	3	4	5					6	NOMENCLATURE
46	3		89C22111-52								1L/1R		01-N	
48	1		AN960-D616								Washer	23	04-A	
48	2		AN960-D516								Washer	19	04-A	
48	3		AN960-D416								Washer	9	04-A	
48	4		AN960-D10								Washer	78	04-A	
48	5		AN365-624								Nut - Self Locking	5	04-A	
48	6		AN365-524								Nut - Self Locking	7	04-A	
48	7		AN365-428								Nut - Self Locking	4	04-A	
48	8		AN365-1032								Nut - Self Locking	15	04-A	
48	9		AN364-624								Nut - Self Locking	16	04-A	
48	10		AN364-524								Nut - Self Locking	12	04-A	
48	11		AN364-428								Nut - Self Locking	5	04-A	
48	12		AN364-1032								Nut - Self Locking	48	04-A	
48	13		AN26-70								Bolt - Clevis	9	04-A	
48	14		AN26-68A								Bolt - Clevis	1	04-A	
48	15		AN26-66A								Bolt - Clevis	7	04-A	
48	16		AN25-17A								Bolt - Clevis	6	04-A	
48	17		AN25-13A								Bolt - Clevis	5	04-A	
48	18		AN25-12A								Bolt - Clevis	1	04-A	
48	19		AN24-12A								Bolt - Clevis	4	04-A	
48	20		AN23-46A								Bolt - Clevis	4	04-A	
48	21		AN23-44A								Bolt - Clevis	13	04-A	
48	22		AN23-42A								Bolt - Clevis	4	04-A	
48	23		AN23-14A								Bolt - Clevis	2	04-A	
48	24		AN23-13A								Bolt - Clevis	28	04-A	
48	25		AN6-53A								Bolt - Clevis	4	04-A	
48	26		AN6-52A								Bolt - Clevis	2	04-A	
48	27		AN6-43A								Bolt - Clevis	1	04-A	
			89C22411								Bolt - Clevis	2	01-N	
48	29		AN5-17A								Bolt - Clevis	2	04-A	
48	30		AN5-16A								Bolt - Clevis	2	04-A	

RESTRICTED
AN 01-65BC-4
SECTION II—GROUP ASSEMBLY PARTS LISTS

FIG. NO.	INDEX NO.	GROUP	WINGS						UNITS PER ASSY	PROPERTY CLASSIFICATION			
			MAJOR ASSEMBLY		SPAR 1 ASSEMBLY					U.S. NAVY	U.S. ARMY	BRITISH	
			PART NUMBER	1	2	3	4	5					6
48	31	AN5-15A								2		04-A	
48	32	AN5-11A								2		04-A	
48	33	AN4-15A								2		04-A	
48	34	AN4-11A								2		04-A	
48	35	AN3-14A								10		04-A	
48	36	AN3-7A								5		04-A	
48	37	89C22321								1L/1R			
48	37	89C22361											
48	38	89C22222								1L/1R			
48	38	89C22362											
48	39	89C22327								1L/1R			
48	40	89C22460								1L/1R			
48	41	89C22650-3								1			
48	42	89C22386								1L/1R			
48	43	89C22385-4								1L/1R			
48	44	89C22385-3								1L/1R			
48	45	89C22385-2								1L/1R			
48	46	89C22385-1								1L/1R			
48	47	89C22384								1L/1R			
48	48	89C22326								1L/1R			
48	49	89C22357								1L/1R			
48	50	89C22315								1L/1R			
48	51	89C22552								1L/1R			
48	52	89C22551								1L/1R			
48	53	89C22276								1L/1R			
48	54	89C22275-2								1			
48	55	89C22274-2								2			
48	56	89C22273-2								1			
48	57	89C22272-2								1L/1R			
48	58	89C22272-1								1L/1R			
48	59	AN931-6-10								1		04-B	

Unless otherwise noted all parts are in class 01-N.

RESTRICTED
AN 01-65BC-4
SECTION II—GROUP ASSEMBLY PARTS LISTS

FIG. NO.	INDEX NO.	STOCKED	GROUP						UNITS PER ASSY	PROPERTY CLASSIFICATION			
			MAJOR ASSEMBLY		SPAR 1 ASSEMBLY					U.S. NAVY	U.S. ARMY	BRITISH	
			PART NUMBER	1	2	3	4	5					6
48	60		89C22257-6						Channel - Station 192	1L/1R			
48	61		89C22257-5						Channel - Station 182	1L/1R			
48	62		89C22257-4						Channel - Station 172	1L/1R			
48	63		89C22257-3						Channel - Station 162	1L/1R			
48	64		89C22257-2						Channel - Station 152	1L/1R			
48	65		89C22257-1						Channel - Station 142	1L/1R			
48	66		89C22256						Angle - Station 202	1L/1R			
48	67		89C22255						Angle - Front - Station 26-3/4	1L/1R			
48	68		89C22254						Angle - Rear Sta. 26-3/4	1L/1R			
48	69		89C22246-3						Shelf - Sta. 202	1L/1R			
48	70		89C22246-2						Shelf - Sta. 132	1L/1R			
48	71		89C22246-1						Shelf - Sta. 142-192	5L/5R			
48	72		89C22203						Mooring Lug Assembly	1L/1R			
48	72A		AN4-43A						Bolt	1		04-A	
48	72B		89C22353						Bushing	1			
48	72C		89C22329						Lug	1			
48	72D		89C22330						Jack Pad	1L			
48	72E		89C22335						Bushing	2			
48	73		89C22555						Clip	1L			
48	74		89C22554						Clip	1L			
48	75		89C22111-35						Angle - Sta. 187	1L/1R			
48	76		89C22111-34						Angle - Sta. 177	1L/1R			
48	77		89C22111-33						Angle - Sta. 167	1L/1R			
48	78		89C22111-32						Angle - Sta. 157	1L/1R			
48	79		89C22111-31						Angle - Sta. 147	1L/1R			
48	80		89C22111-30						Angle - Sta. 136-7/16	1L/1R			
48	81		89C22111-29						Angle - Sta. 98	1L/1R			
48	82		89C22111-28						Angle - Sta. 91-3/16	1L/1R			
48	83		89C22111-27						Angle - Sta. 79	1L/1R			
48	84		89C22111-26						Angle - Sta. 69 1/2	1L/1R			
48	85		89C22111-25						Angle - Sta. 58	1L/1R			
48	86		89C22111-24						Angle - Sta. 45-5/8	1L/1R			
48	87		89C22111-20						Angle - Sta. 206	1L			
48	88		89C22111-19						Angle - Sta. 232	1L/1R			
48	89		89C22111-18						Angle - Sta. 222	1L/1R			
48	90		89C22111-17						Angle - Sta. 212	1L/1R			
48	91		89C22111-16						Angle - Sta. 74	1L/1R			
48	92		89C22111-15						Angle - Sta. 52	1L/1R			
48	93		89C22111-14						Flange - Bottom	1L/1R			
48	94		89C22111-13						Flange - Top	1L/1R			
48	95		89C22411						Bolt	2			

Unless otherwise noted all parts are in class 01-N.

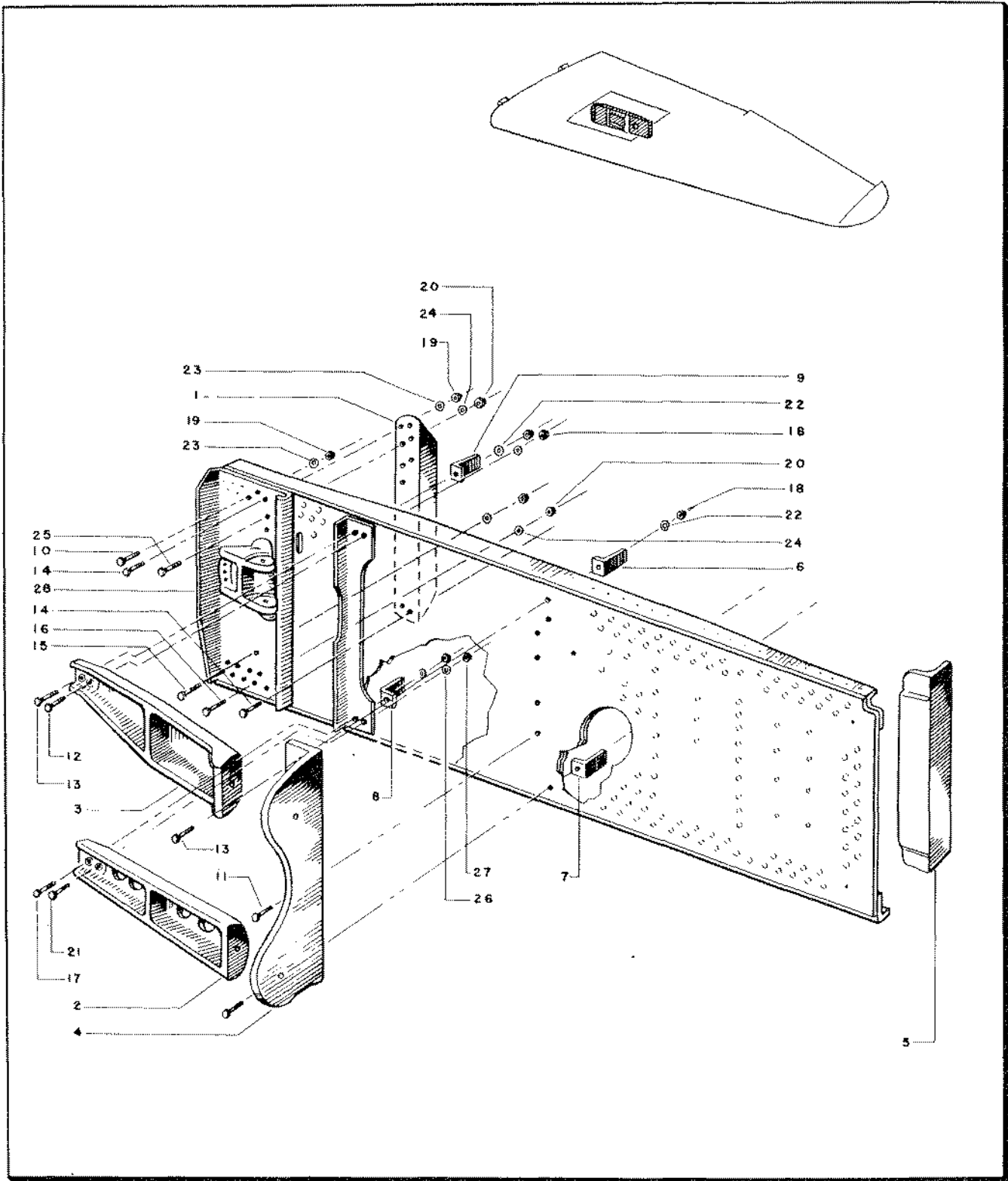


Figure 49—Auxiliary Spar Assembly

RESTRICTED
AN-01-65BC-4
SECTION II—GROUP ASSEMBLY PARTS LISTS

FIG. NO.	INDEX NO.	S T O C K E D	GROUP						WING			UNITS PER ASSY	PROPERTY CLASSIFICATION		
			MAJOR ASSEMBLY		SPAR ASSEMBLY		AUXILIARY LANDING GEAR		NOMENCLATURE	U.S. NAVY	U.S. ARMY		BRITISH		
			PART NUMBER	1	2	3	4	5						6	
37	4		89C22115						Spar Assembly Auxiliary Landing Gear	1L-1R		01-N			
49	1		89C22506						Support	1L		01-N			
49	2		89C22355						Fitting, Bottom	1L		01-N			
49	3		89C22354						Fitting, Top	1L		01-N			
49	4		89C22342						Angle	1L		01-N			
49	5		89C22319						Angle	1L		01-N			
49	6		89C22399-1						Bracket Top	1L		01-N			
49	7		89C22399-2						Bracket Bottom	1L		01-N			
49	8		89C22387-2						Bracket Bottom	1L		01-N			
49	9		89C22387-1						Bracket Top	1L		01-N			
49	10		AN4-10A						Bolt	2		04-A			
49	11		AN6-10A						Bolt	5		04-A			
49	12		AN6-11A						Bolt	1		04-A			
49	13		AN6-14A						Bolt	3		04-A			
49	14		AN4-11A						Bolt	4		04-A			
49	15		AN3-7A						Bolt	2		04-A			
49	16		AN3-6A						Bolt	5		04-A			
49	17		AN7-14A						Bolt	1		04-A			
49	18		AN365-624						Nut	8		04-A			
49	19		AN365-428						Nut	7		04-A			
49	20		AN365-1032						Nut	8		04-A			
49	21		AN7-11A						Bolt	1		04-A			
49	22		AN960-D616						Washer	8		04-A			
49	23		AN960-D416						Washer	5		04-A			
49	24		AN960-D10						Washer	8		04-A			
49	25		AN3-10A						Bolt	7		04-A			
49	26		AN960-D716						Washer	2		04-A			
49	27		AN365-720						Nut	2		04-A			
49	28		89C22849						Fitting	1		01-N			

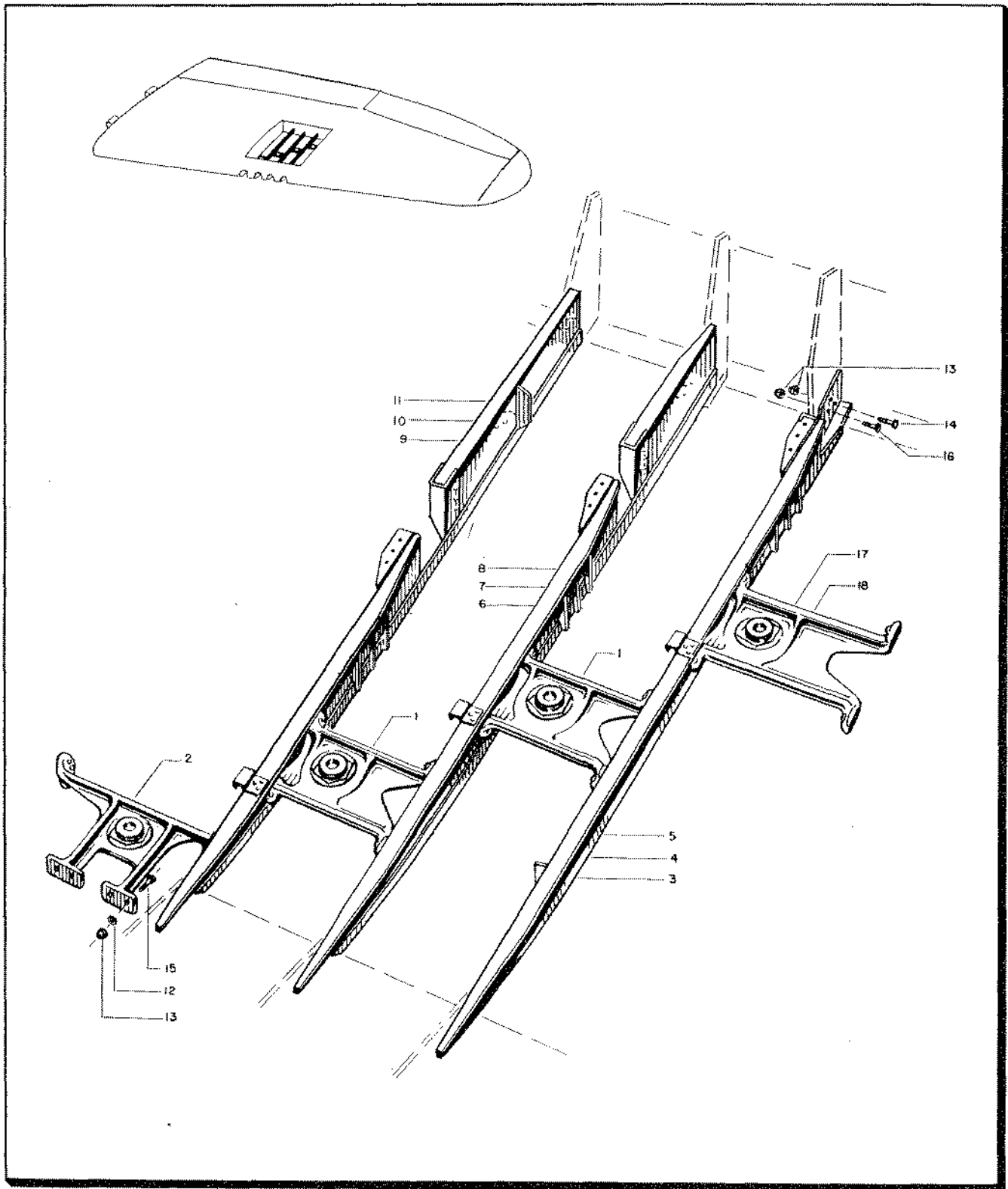


Figure 50—Front Gun Mounts

RESTRICTED
 AN 01-65BC-4
 SECTION II—GROUP ASSEMBLY PARTS LISTS

FIG. NO.	INDEX NO.	STOCK #	GROUP						WING	UNITS PER ASSY	PROPERTY CLASSIFICATION												
			MAJOR ASSEMBLY		INSTALLATION - WING GUN FRONT MOUNTS						U.S. NAVY	U.S. ARMY	BRITISH										
			PART NUMBER		1	2	3	4	5					6	NOMENCLATURE								
37	30		89C22907																Installation-Wing Gun Front Mounts			01-N	
50	1		89C22901																Mount 2 and 3 Wing Guns	2L		01-N	
50	2		89C22902																Mount 1 Wing Gun	1L		01-N	
50	3		89C22162-50																Rib - 124-1/8 (P-47B)	1L		01-N	
50	4		89C22162-51																Rib - 124-1/8 (P-47C)	1L		01-N	
50	5		89C22162-52																Rib - 124-1/8 (P-47D)	1L		01-N	
50	6		89C22159-50																Rib - 118-1/8 (P-47B)	1L		01-N	
50	7		89C22159-51																Rib - 118-1/8 (P-47C)	1L		01-N	
50	8		89C22159-52																Rib - 118-1/8 (P-47C)	1L		01-N	
50	9		89C22157-50																Rib - 112-1/8 (P-47B)	1L		01-N	
50	10		89C22157-51																Rib - 112-1/8 (P-47C)	1L		01-N	
50	11		89C22157-52																Rib - 112-1/8 (P-47D)	1L		01-N	
50	12		AN960-10L																Washer	4		01-A	
50	13		AN365-1032																Nut	7		01-A	
50	14		AN3-4A																Bolt	1		01-A	
50	15		AN3-13A																Bolt	4		01-A	
50	16		S-52-10-8																Screw	2		01-N	
50	17		89C22890																Mount 4 Wing Gun (P-47C and P-47D)	1L		01-N	
50	18		89C22903																Mount 4 Wing Gun (P-47B)	1L		01-N	

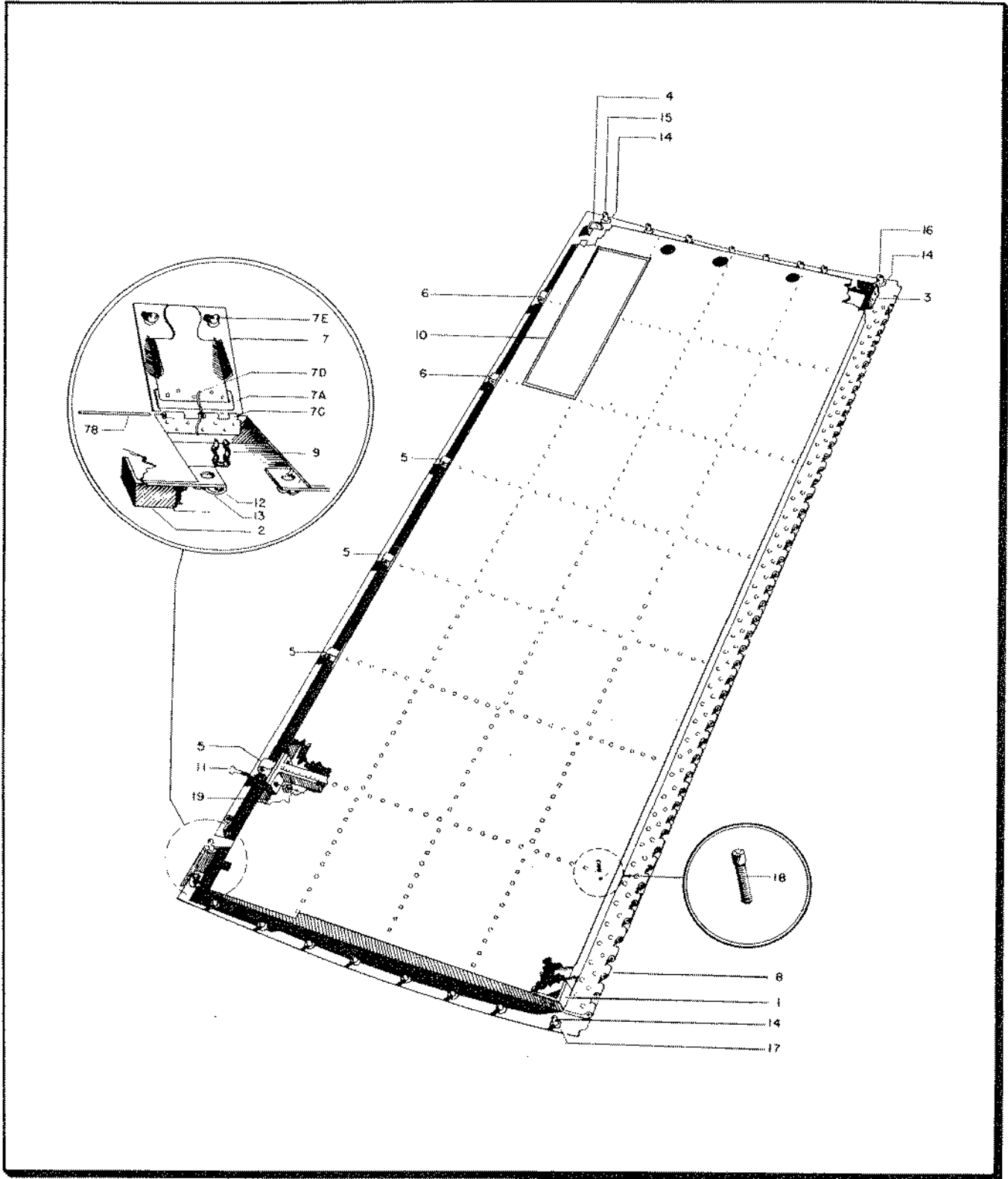


Figure 51—Ammunition Bay Cover Assembly

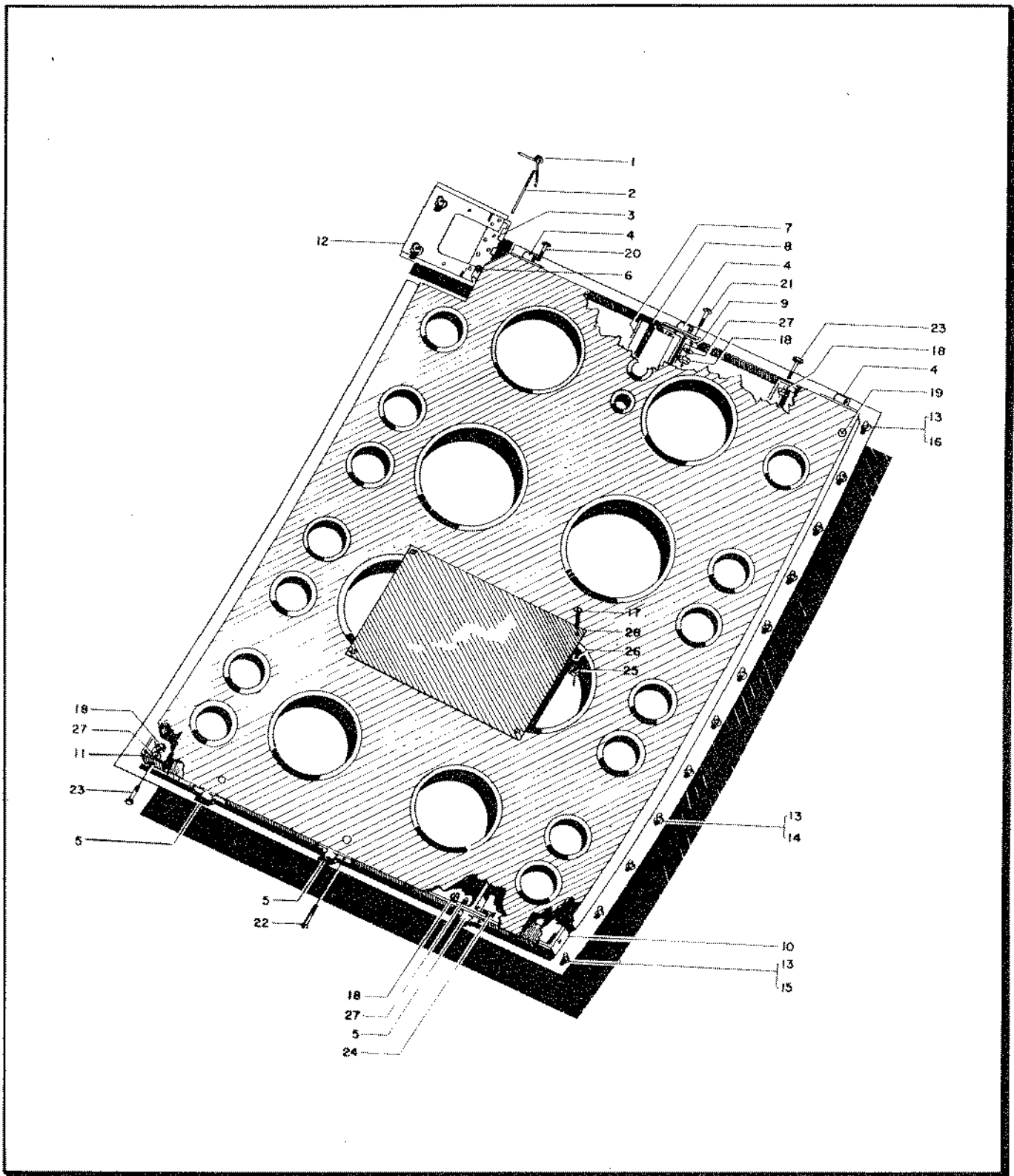


Figure 52—Gun Compartment Cover

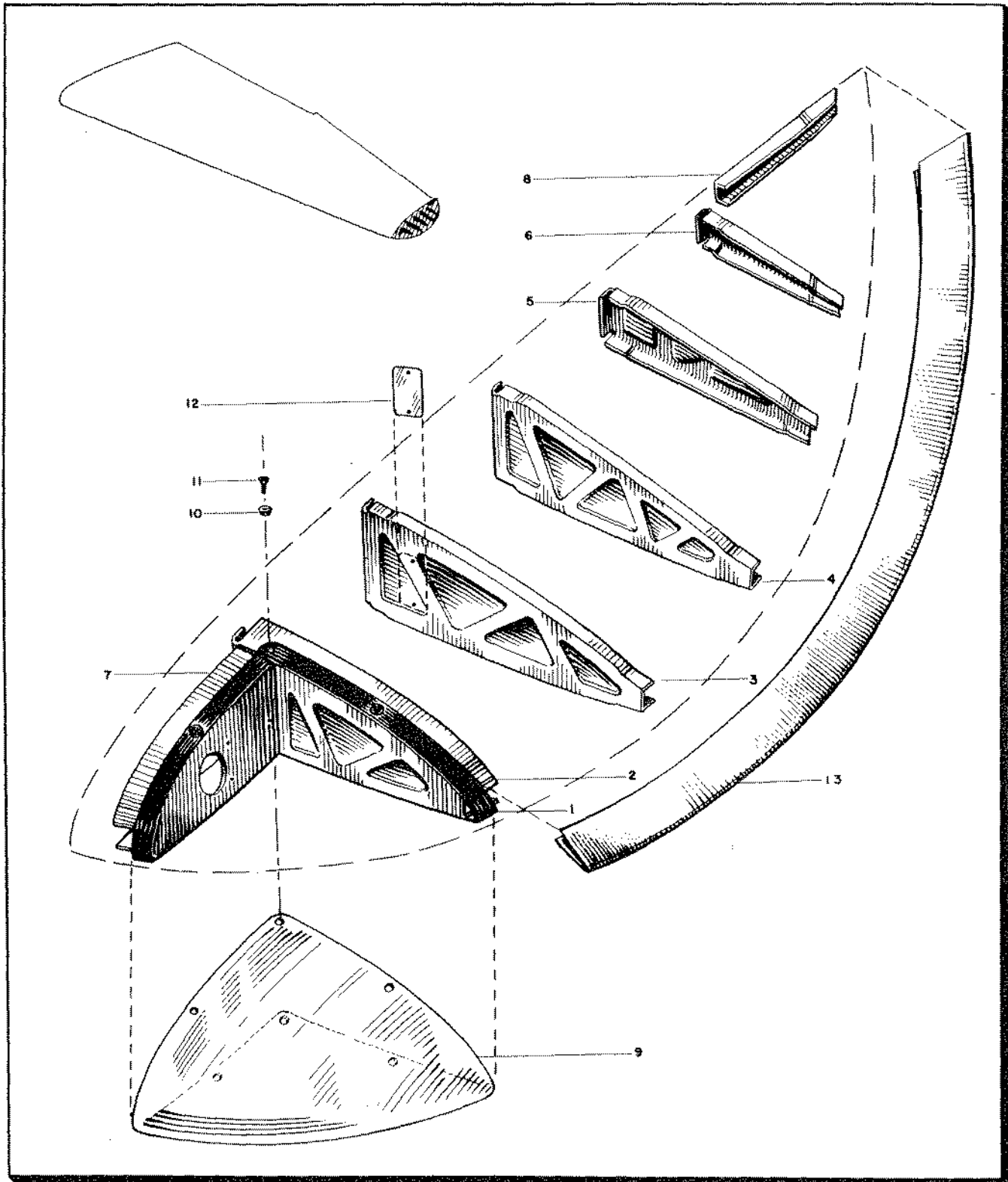


Figure 53—Wing Tip Assembly

RESTRICTED
AN-01-65BC-4
SECTION II—GROUP ASSEMBLY PARTS LISTS

FIG. NO.	INDEX NO.	S T O C K E D	GROUP		WING						UNITS PER ASSY	PROPERTY CLASSIFICATION			
			MAJOR ASSEMBLY		TIP ASSEMBLY							U.S. NAVY	U.S. ARMY	BRITISH	
			PART NUMBER		1	2	3	4	5	6					NOMENCLATURE
33	4		89T24000									1L		01-N	
53	1		89T24000-3									1		01-N	
53	2		89T24101									1L		01-N	
53	3		89T24102									1L		01-N	
53	4		89T24103									1L		01-N	
53	5		89T24104									1L		01-N	
53	6		89T24105									1L		01-N	
53	7		89T24106									1L		01-N	
53	8		89T24107									1L		01-N	
53	9		89T24112									1L		01-N	
53	10		89896089									6		01-N	
53	11		8-52-8-2									6		01-N	
53	12		AN7510-1									1		03-F	
53	13		89T24110-1									1		01-N	

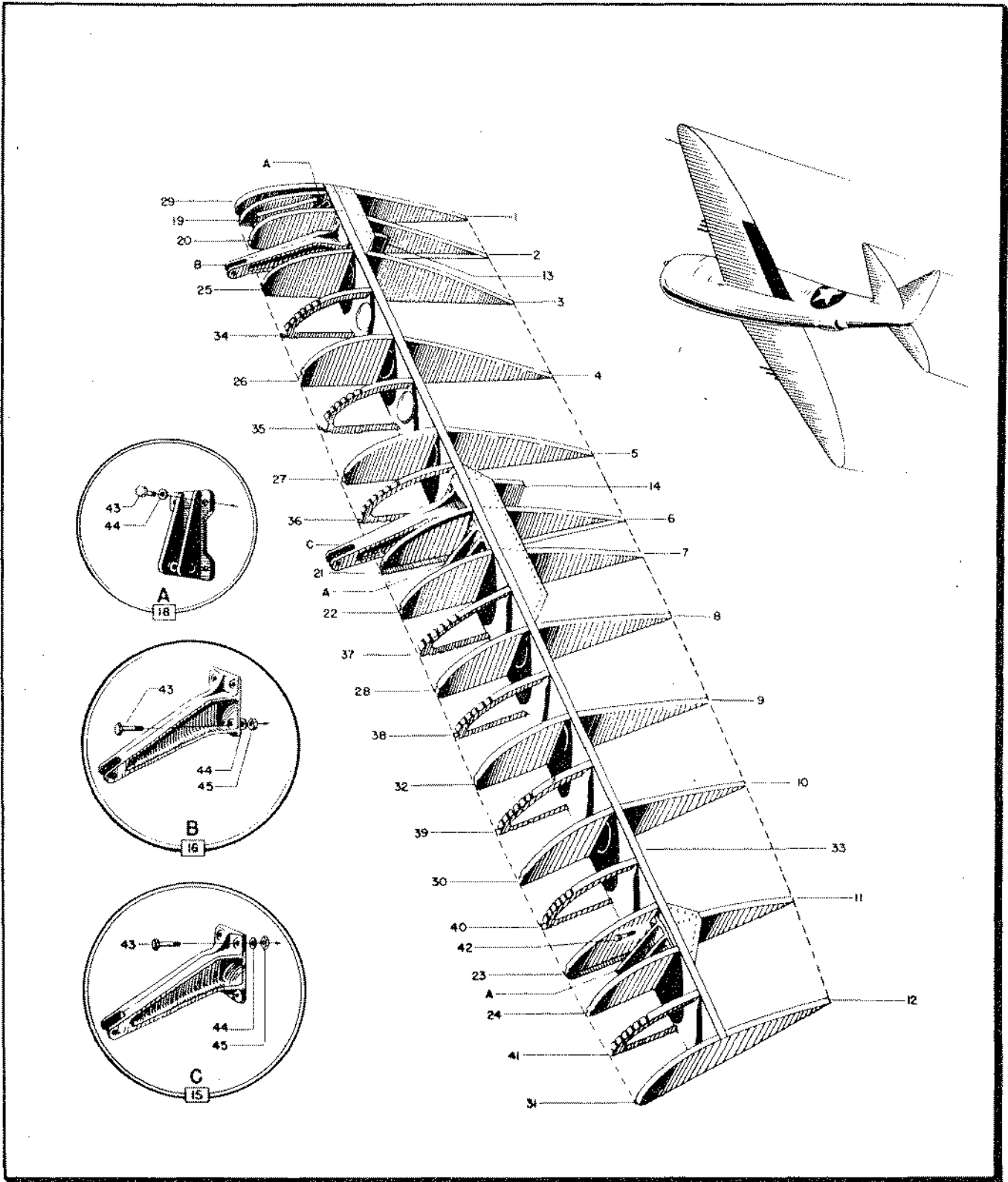


Figure 54—Flap

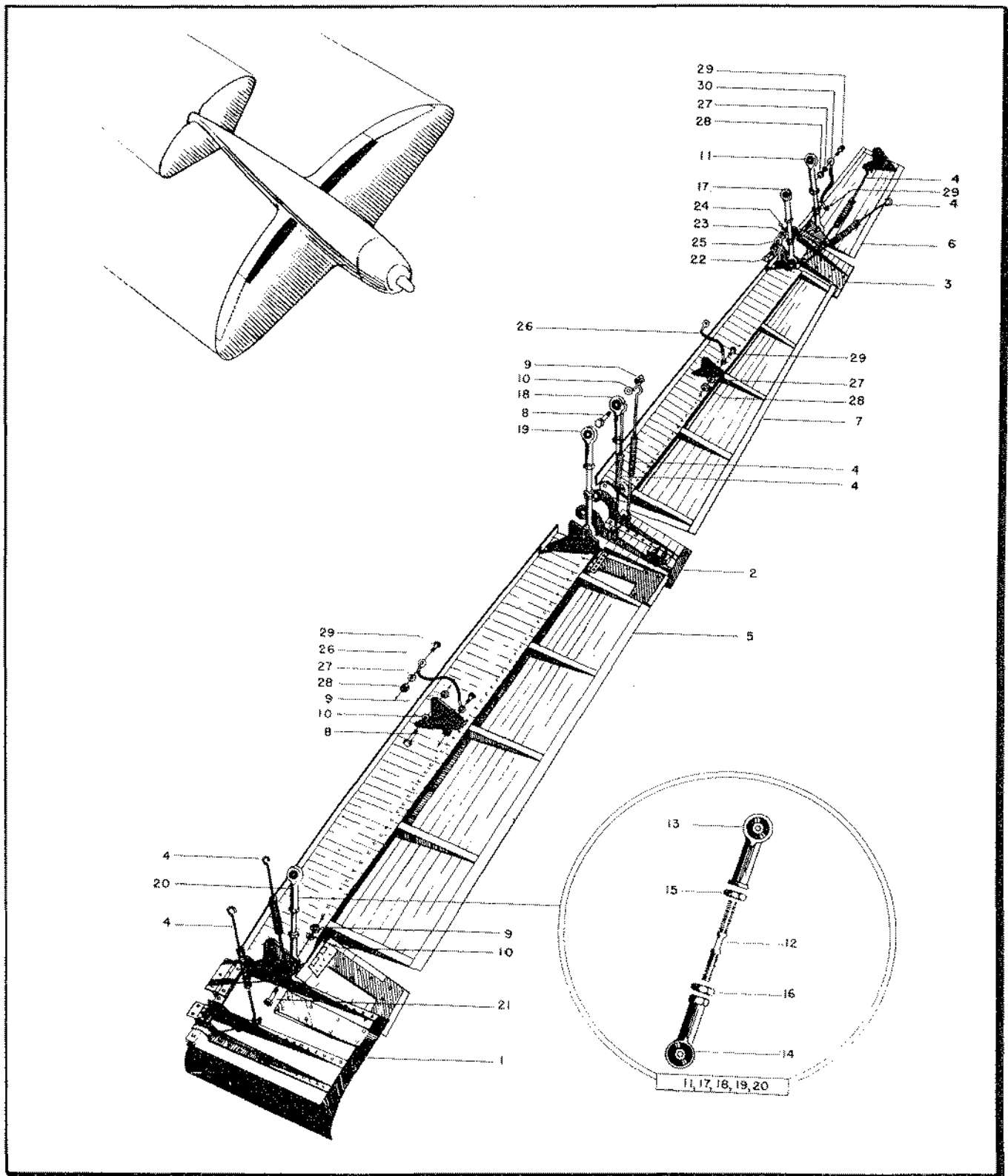


Figure 55—Flap Doors

RESTRICTED
AN 01-65BC-4
SECTION II—GROUP ASSEMBLY PARTS LISTS

FIG. NO.	INDEX NO.	STOCKED	GROUP		WING						UNITS PER ASSY	PROPERTY CLASSIFICATION																												
			MAJOR ASSEMBLY		INSTALLATION - FLAP DOOR							U.S. NAVY	U.S. ARMY	BRITISH																										
			PART NUMBER		1	2	3	4	5	6					NOMENCLATURE																									
33	5		89D25500																																					
					Installation of Flap Door - (Up to P-47D-5-RE only)						1L			01-N																										
55	1		89D25502																		Door Station 29 Flap Hinge	1L			01-N															
55	2		89D25503																			Door Assembly	1L			01-N														
55	3		89D25504																			Door Assembly	1L			01-N														
55	4		89D25511																			Spring	6			01-N														
55	5		89D25505																			Door Assembly	1L			01-N														
55	6		89D25507																			Door Assembly	1L			01-N														
55	7		89D25508																			Door Assembly	1L			01-N														
55	8		AN3-11A																			Bolt	8			04-A														
55	9		365-1032																			Nut	18			04-A														
55	10		AN960-D10																			Washer	26			04-A														
55	11		89D25523-1																			Link Assembly	1			01-N														
55	12		89D25522																			Rod	1			01-N														
55	13		RE-B-3N (R)																			Rod End R.H. (Fafnir Bearing)	1			04-A														
55	14		RE-3FL4																			Rod End L.H. (Fafnir Bearing)	1			04-A														
55	15		AN316-L/R																			Check Nut	1			04-A														
55	16		AN316-4L																			Check Nut	1			04-A														
55	17		89D25523-2																			Link Assembly	1			01-N														
55	12		89D25522																			Rod	1			01-N														
55	13		REB-3N (R)																			Rod End R.H. (Fafnir Bearing)	1			04-A														
55	14		RE-3FL4																			Rod End L.H. (Fafnir Bearing)	1			04-A														
55	15		AN316-4R																			Check Nut	1			04-A														
55	16		AN316-4L																			Check Nut	1			04-A														
55	18		89D25523-3																			Link Assembly	1			01-N														
55	12		89D25522																			Rod	1			01-N														
55	13		RE-B-3N (R)																			Rod End R.H. (Fafnir Bearing)	1			04-A														
55	14		RE-3FL4																			Rod End L.H. (Fafnir Bearing)	1			04-A														
55	15		AN316-4R																			Check Nut	1			04-A														
55	16		AN316-4L																			Check Nut	1			04-A														
55	19		89D25523-4																			Link Assembly	1			01-N														
55	12		89D25522																			Rod	1			01-N														
55	13		RE-B-3N (R)																			Rod End R.H. (Fafnir Bearing)	1			04-A														
55	14		RE-3FL4																			Rod End L.H. (Fafnir Bearing)	1			04-A														
55	15		AN316-4L																			Check Nut	1			04-A														
55	16		AN316-4L																			Check Nut	1			04-A														
55	20		89D25523-5																			Link Assembly	1			01-N														
55	12		89D25522																			Rod	1			01-N														
55	13		RE-B-3N (R)																			Rod End R.H. (Fafnir Bearing)	1			04-A														
55	14		RE-3FL4																			Rod End L.H. (Fafnir Bearing)	1			04-A														
55	15		AN316-4L																			Check Nut	1			04-A														
55	16		AN316-4L																			Check Nut	1			04-A														
55	21		AN3-10A																			Bolt	5			04-A														
55	22		AN23-8																			Bolt Clevis	4			04-A														
55	23		AN310-3																			Nut	4			04-A														
55	24		AN380C2-2																			Cotter Pin	4			29														
55	25		AN960-10																			Washer	4			04-A														
55	26		BQ4Q																			Bonding Wire - (Thomas & Betts Company)	4			04-A														
55	27		AN960-8																			Washer	2			08-B														
55	28		365-832																			Nut	5			04-A														
55	29		AN515-8-7																			Screw	6			29														
55	30		BQ5Q																			Bonding Wire - (Thomas & Betts Company)	1			08-B														

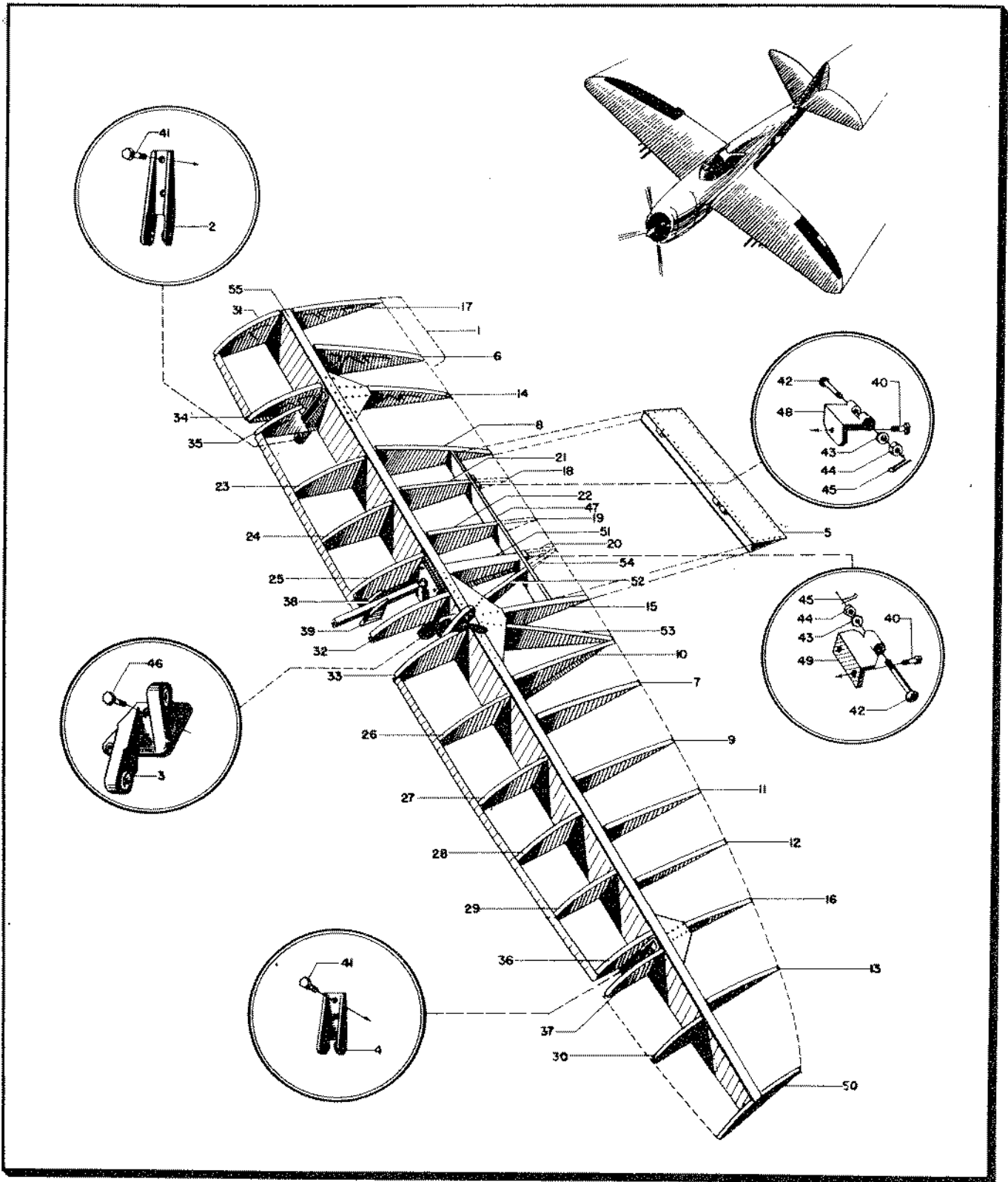


Figure 56—Aileron

RESTRICTED
AN-01-65BC-4
SECTION II—GROUP ASSEMBLY PARTS LISTS

FIG. NO.	INDEX NO.	STOCK NO.	GROUP							WING		PROPERTY CLASSIFICATION		
			MAJOR ASSEMBLY							UNITS PER ASSY	U.S. NAVY	U.S. ARMY	BRITISH	
			AILERON ASSEMBLY											
PART NUMBER			1	2	3	4	5	6	7	NOMENCLATURE				
33	3		Aileron Assembly (P-47C)							1L				
56	3		Aileron Assembly (P-47D)							1L				
56	1	89A26000-11	Tab (R.H. Only)							1				
56	2	89A26124	Hinge Assembly Aileron Inboard							1				
56	3	89A26125	Hinge Assembly Aileron Center							1L-1R				
56	4	89A26126	Hinge Assembly Aileron Outboard							1				
56	5	89A26001	Tab Assembly							1				
Ref.		89A26105	Tail Rib Aileron							1L				
56	6	89A26105-1	Rib Assembly							1L-1R				
56	7	89A26105-2	Rib Assembly							1L-1R				
56	8	89A26105-3	Rib Assembly							1L-1R				
56	9	89A26105-4	Rib Assembly							1L-1R				
56	10	89A26105-5	Rib Assembly							1L-1R				
56	11	89A26105-6	Rib Assembly							1L-1R				
56	12	89A26105-7	Rib Assembly							1L-1R				
56	13	89A26105-8	Rib Assembly							1L-1R				
56	14	89A26105-9	Rib Assembly							1L-1R				
56	15	89A26105-10	Rib Assembly							1L-1R				
56	16	89A26105-11	Rib Assembly							1L-1R				
56	17	89A26105-12	Inboard End Rib Assembly							1L-1R				
56	18	89A26105-13	R.H. Rib Assembly							1L-1R				
56	19	89A26105-14	R.H. Rib Assembly							1L-1R				
56	20	89A26105-15	R.H. Rib Assembly							1L-1R				
56	21	89A26105-16	L.H. Rib Assembly							1L-1R				
56	22	89A26105-17	L.H. Rib Assembly							1L-1R				
Ref.		89A26111	Leading Edge Assembly							1L-1R				
Ref.		89A26106	Nose Ribs Aileron							1L-1R				
56	23	89A26106-1	Rib							1L-1R				
56	24	89A26106-2	Rib							1L-1R				
56	25	89A26106-3	Rib							1L-1R				
56	26	89A26106-4	Rib							1L-1R				
56	27	89A26106-5	Rib							1L-1R				
56	28	89A26106-6	Rib							1L-1R				
56	29	89A26106-7	Rib							1L-1R				
56	30	89A26106-8	Rib							1L-1R				
56	31	89A26106-9	Rib							1L-1R				
56	32	89A26106-10	Rib							1L-1R				
56	33	89A26106-11	Rib							1L-1R				
56	34	89A26106-12	Rib							1L-1R				
56	35	89A26106-13	Rib							1L-1R				
56	36	89A26106-14	Rib							1L-1R				
56	37	89A26106-15	Rib							1L-1R				
56	38	89A26106-16	Rib							1L				
56	39	89A26106-17	Rib							1L				
56	40	AN3-5A	Bolt							4		04-A		
56	41	AN4-5A	Bolt							4		04-A		
56	42	AN23-35	Clevis Bolt							1		04-A		
56	43	AN960-D10	Washer							2		04-A		
56	44	AN320-3	Castle Nut							2		29		
56	45	AN380-2-2	Cotter Pin							2		29		
Ref.		AN4-6A	Bolt							4		04-A		
56	47	89A26110	Frame Assembly Aileron							1				
56	48	89A26104	Spar Assembly Aileron Support							1				
56	49	89A26116	Hinge Inboard Aileron Tab Support							1				
56	50	89A26122	Hinge Outboard Aileron Tab Support							1				
56	51	89896033	Outboard Rib							1				
56	52	89A26131	Tail Rib Aileron Tab Support							1				
Ref.		89A26120	Rib Assembly Aileron Hinge							1L				
56	53	89A26120-1	Tail Rib Assembly							1L				
56	54	89A26120-2	Tail Rib Assembly							1R				
56	55	89A26100	Spar Assembly							1				
56	55	89A26901	Installation Aileron Trim Push Rod							1				

SEE PAGE 97 FOR EXPLANATION OF "REF."

Unless otherwise noted all parts are in class 01-N.

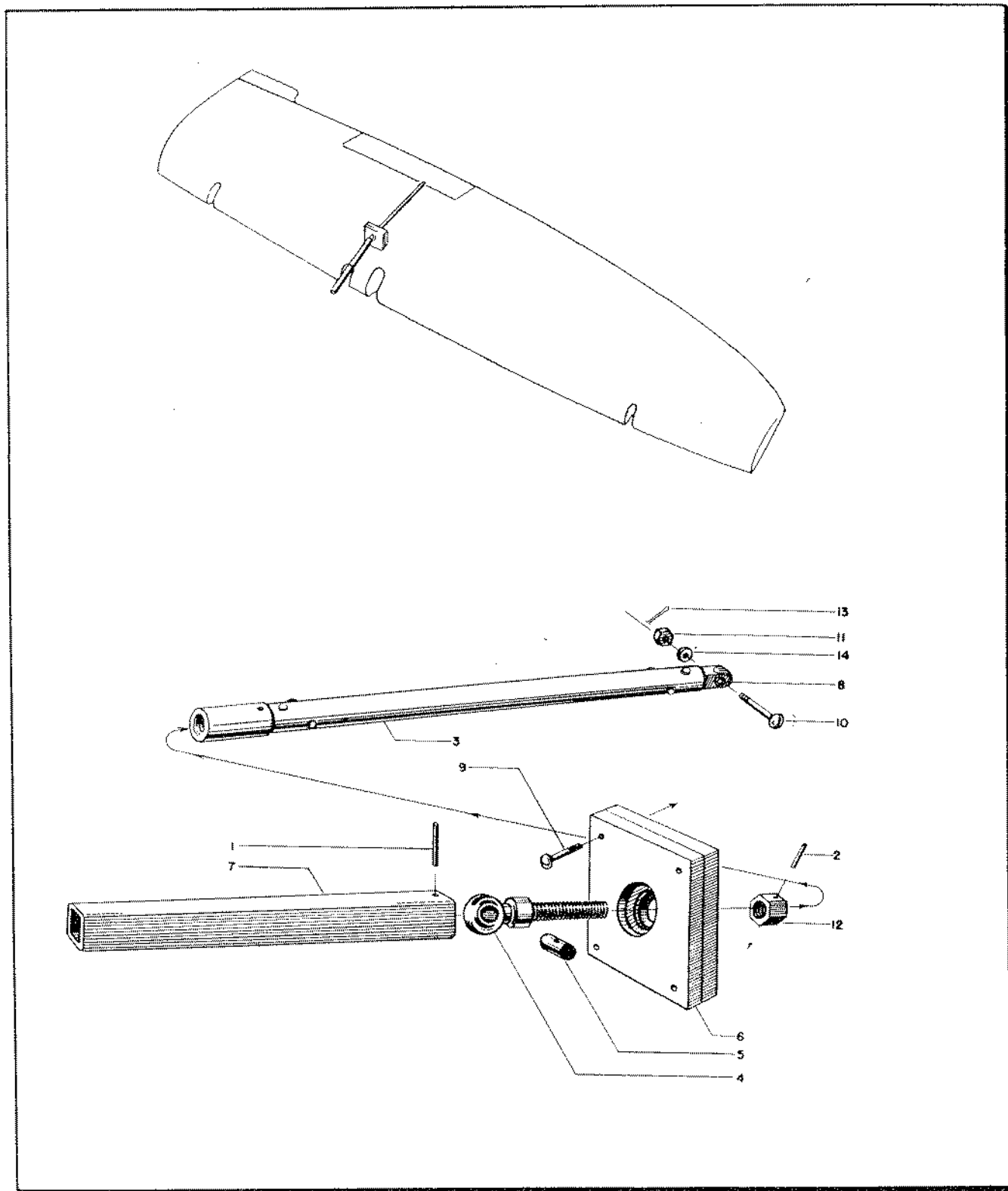


Figure 57—Aileron Trim Push Rod

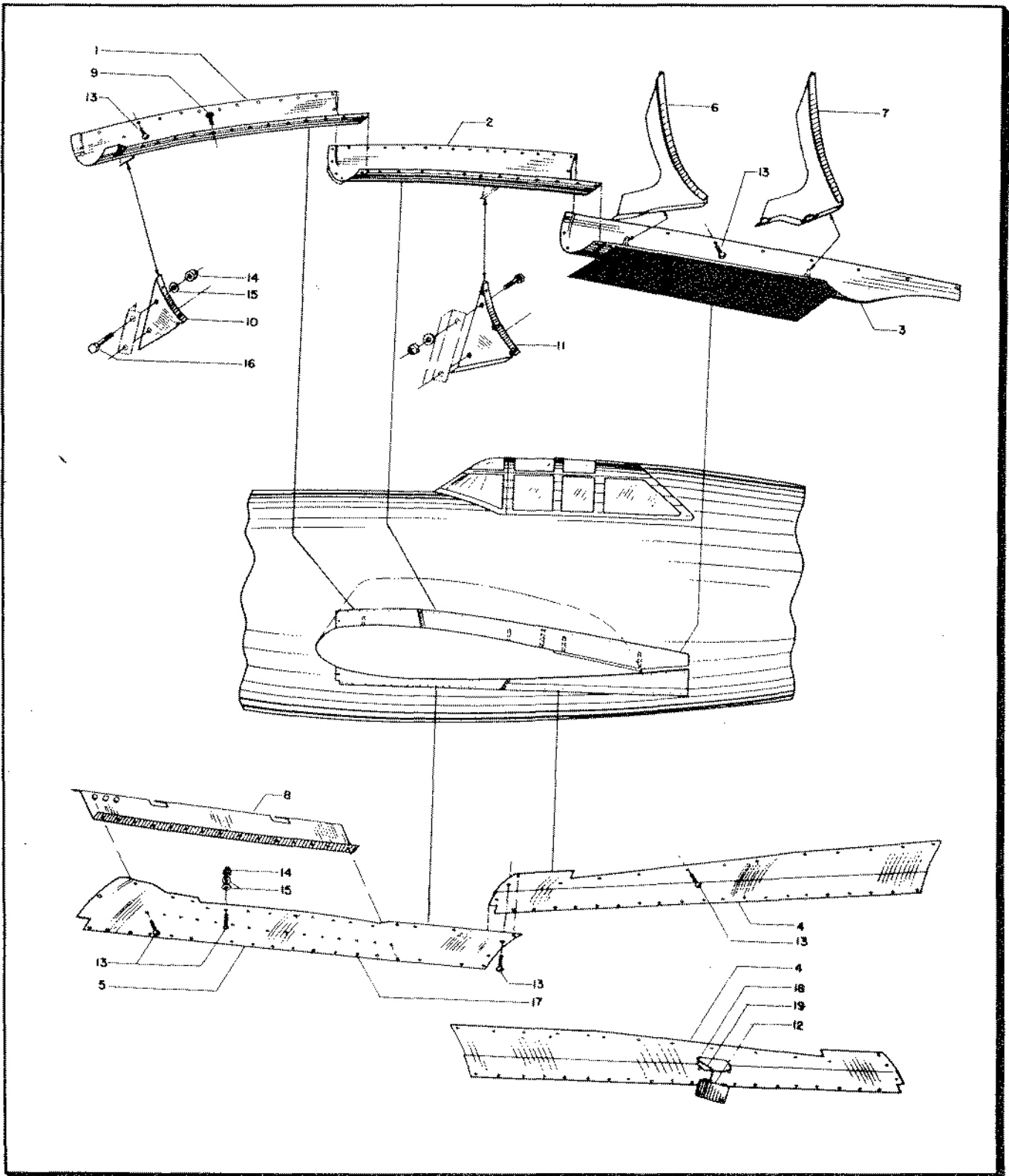


Figure 58—Installation—Wing Fillets

RESTRICTED
AN-01-6586-4
SECTION II—GROUP ASSEMBLY PARTS LISTS

FIG. NO.	INDEX NO.	SYMBOL KEYS	GROUP WING						UNITS PER ASSY	PROPERTY CLASSIFICATION				
			MAJOR ASSEMBLY INSTALLATION WING FILLETS							U.S. NAVY	U.S. ARMY	BRITISH		
			PART NUMBER	1	2	3	4	5					6	NOMENCLATURE
2	53		89X27300	Installation - Wing Fillets						1		01-N		
58	1		89X27300-1		Sheet						1		01-N	
58	2		89X27300-2		Sheet						1		01-N	
58	3		89X27300-3		Sheet						1		01-N	
58	4		89X27300-4-6		Sheet						1		01-N	
58	5		89X27300-5		Sheet						1		01-N	
58	6		89X27101		Former						1		01-N	
58	7		89X27102		Former Assembly						1		01-N	
58	8		89X27108-2		Support Assembly						1		01-N	
58	9		89X27109-1		Screw						24		01-N	
58	10		89X27106		Former Assembly						1		01-N	
58	11		89X27107		Former Assembly						1		01-N	
58	12		89F12160		Door Assembly (P-47C-2-RE)						1		01-N	
58	13		525-10-10		Screw						99		29	
58	14		365-1032		Nut						13		04-A	
58	15		AN960-10		Washer						22		04-A	
58	16		AN3-4A		Bolt						14		04-A	
58	17		FA6-1/2-50		Stud (Dzus Fastener Co.)						16		04-A	
58	18		S-318		End - Bead Chain						1		01-N	
58	19		S-317-3		Bead - Chain						1		01-N	
			S-305-10-064		Spacer						44		01-N	
			525-10-7		Screw						20		29	
			AN3-6A		Bolt						28		04-A	

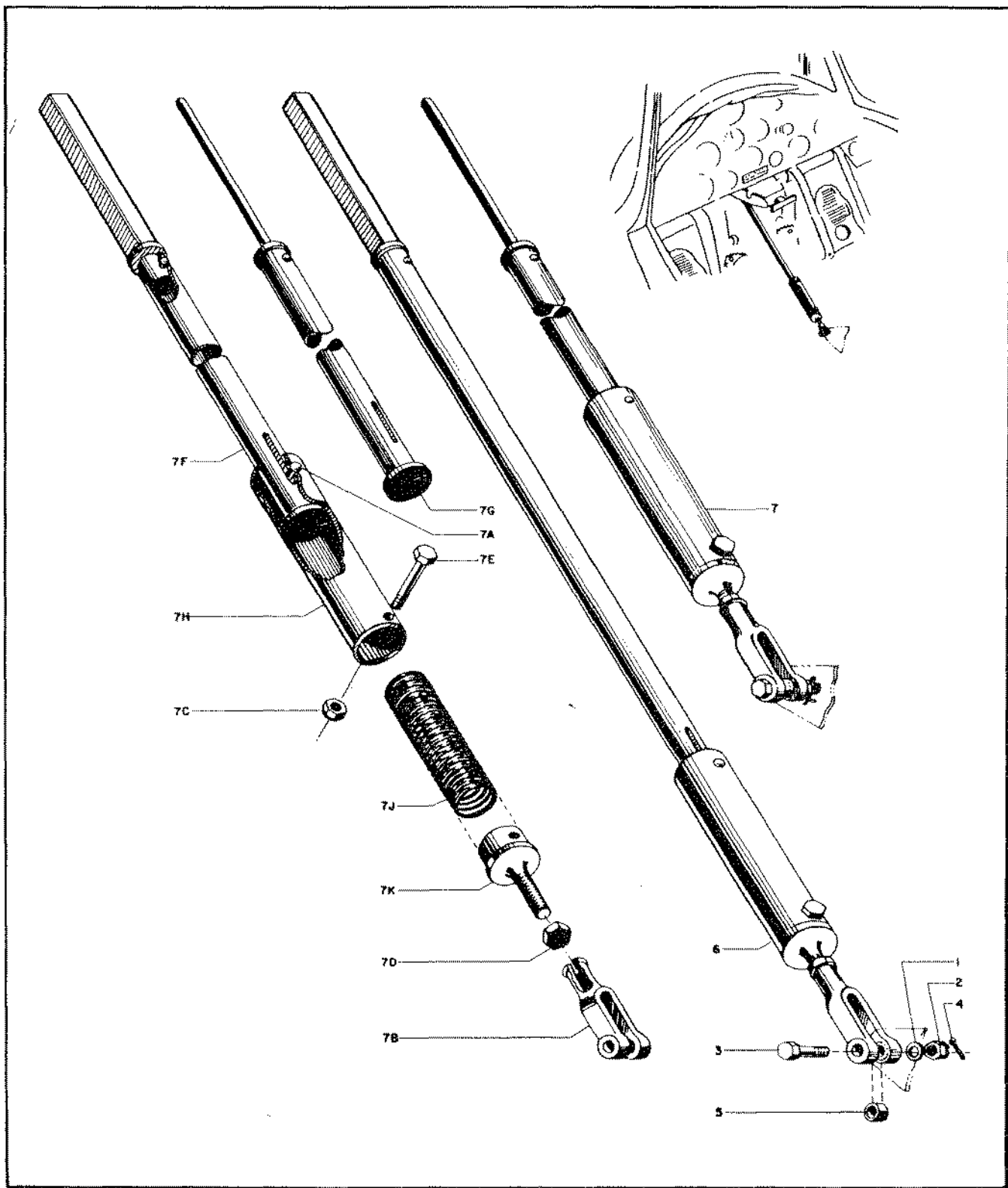


Figure 59—Surface Control Lock

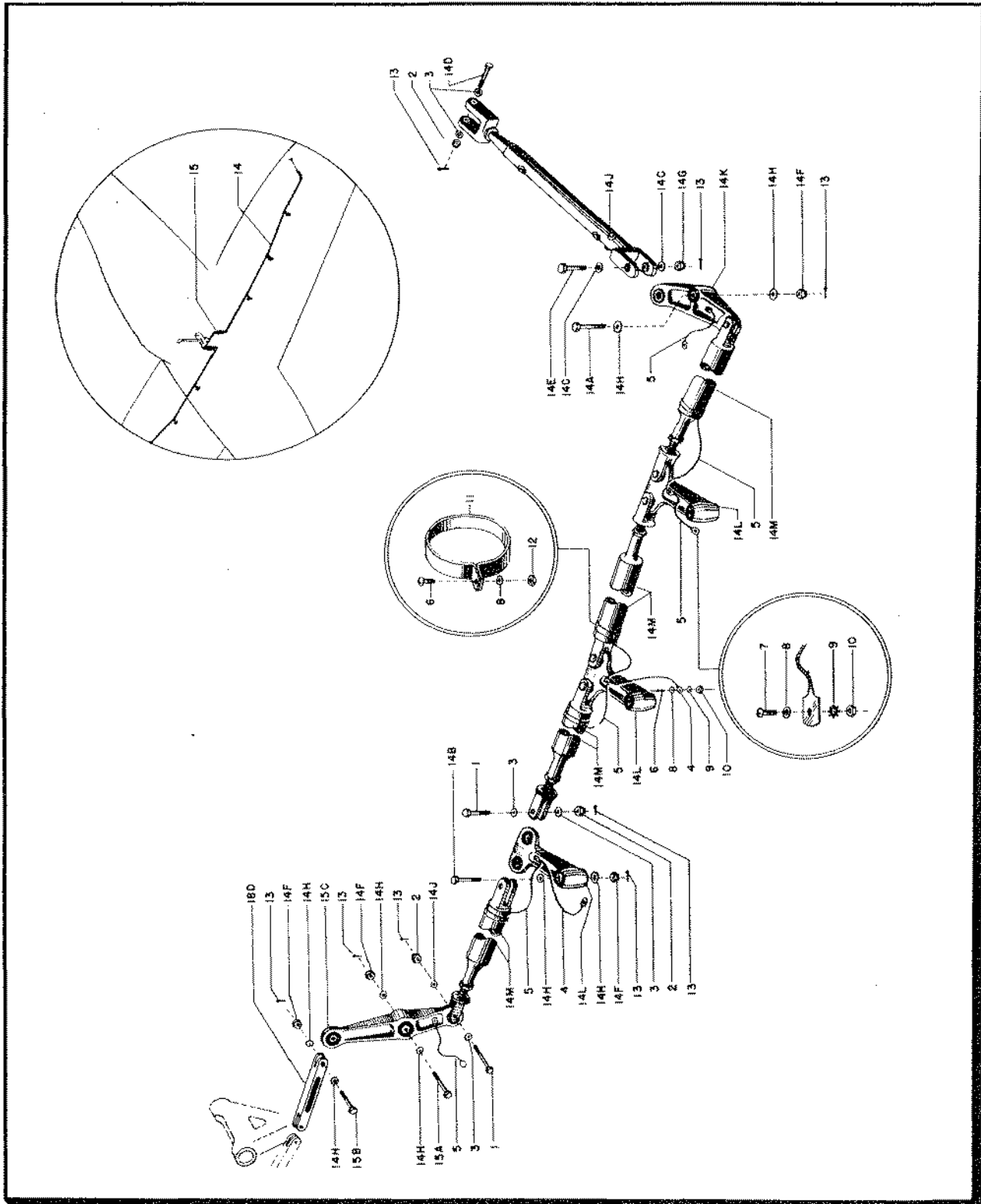


Figure 60—Aileron Control

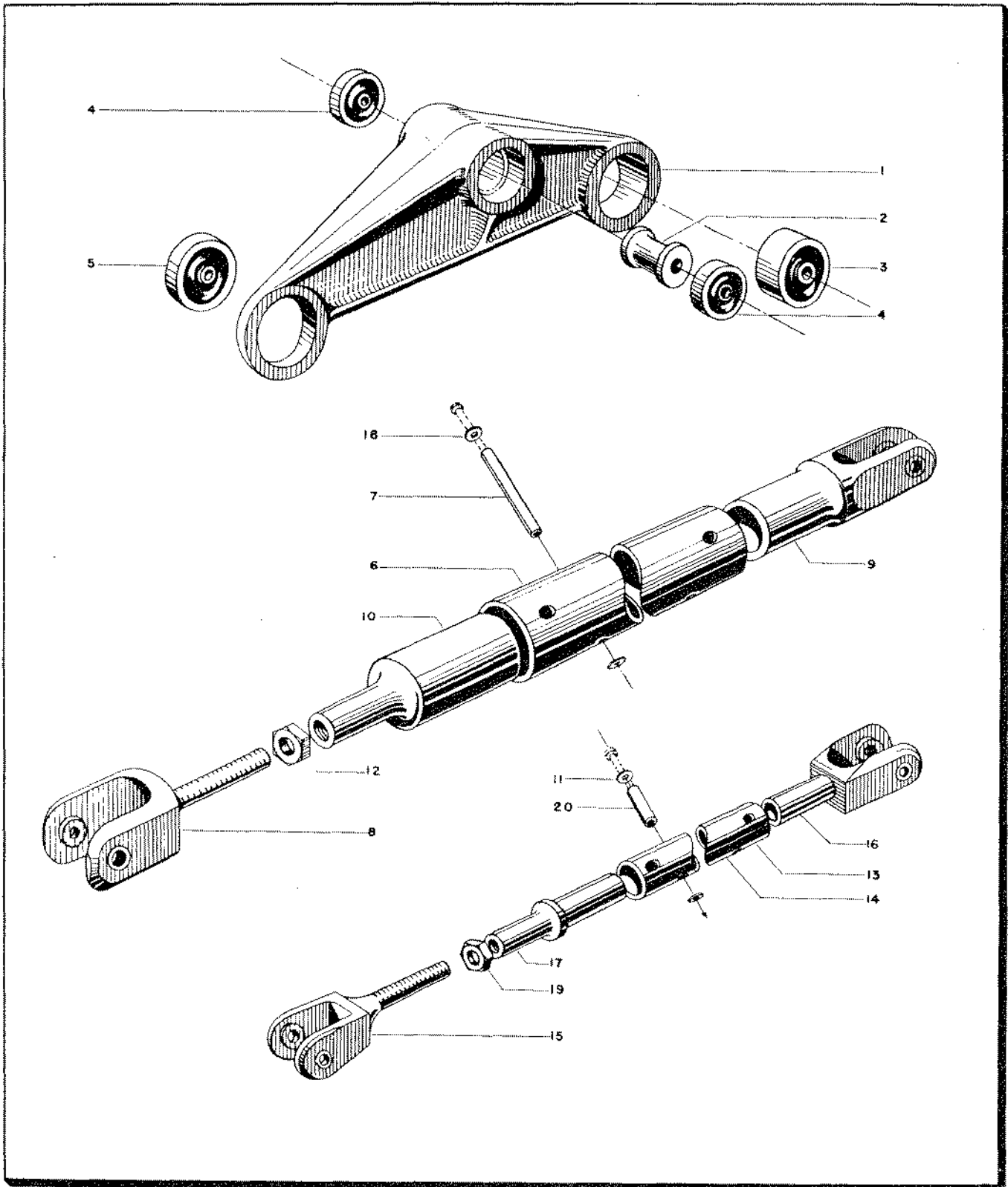


Figure 61—Aileron Rod Assembly

RESTRICTED
AN 01-65BC-4
SECTION II—GROUP ASSEMBLY PARTS LISTS

FIG. NO.	INDEX NO.	S T O C K E D	GROUP SURFACE CONTROLS						UNITS PER ASSY	PROPERTY CLASSIFICATION					
			MAJOR ASSEMBLY		AILERON CONTROL - WING					U.S. NAVY	U.S. ARMY	BRITISH			
			PART NUMBER	1	2	3	4	5					6	NOMENCLATURE	
60	14		89C32101									Installation - Aileron Control Wing			01-N
60	14K		89C32110								1	Lever Assembly - Aileron Control Differential			01-N
61	1		89C32110-1								1	Lever			01-N
61	2		S-9151-2								1	Spacer			01-N
61	3		DS-5								1	Bearing			29
61	4		AN200-K4								2	Bearing			29
61	5		AN200-KS5								1	Bearing			29
60	14M		89S96156								4	Rod Assembly-Elevator and Aileron Control			01-N
61	6		89S96156-1								1	Tube			01-N
61	7		S-9746-6-1 $\frac{1}{4}$								4	Spacer			01-N
61	8		S35-2								1	Fork End Assembly			01-N
61	9		S36-1-KS5								1	Fork End Assembly			01-N
61	10		S37-1								1	Threaded End			01-N
61	11		AN960-D10								8	Washer			04-A
61	12		AN316-6R								1	Nut			04-A
60	14J		89C32103								1	Rod Assembly - Aileron Differential			01-N
61	13		89C32103-1								1	Tube Assembly			01-N
61	14		89C32103-2								1	Tube			01-N
61	15		89C32104								1	Fork			01-N
61	16		89C32105								1	Fork			01-N
61	17		89C32106								1	Terminal			01-N
61	18		AN960-D10								8	Washer			04-A
61	19		AN316-6R								1	Nut			04-A
61	20		S-9746-6-3/4								4	Spacer			01-N

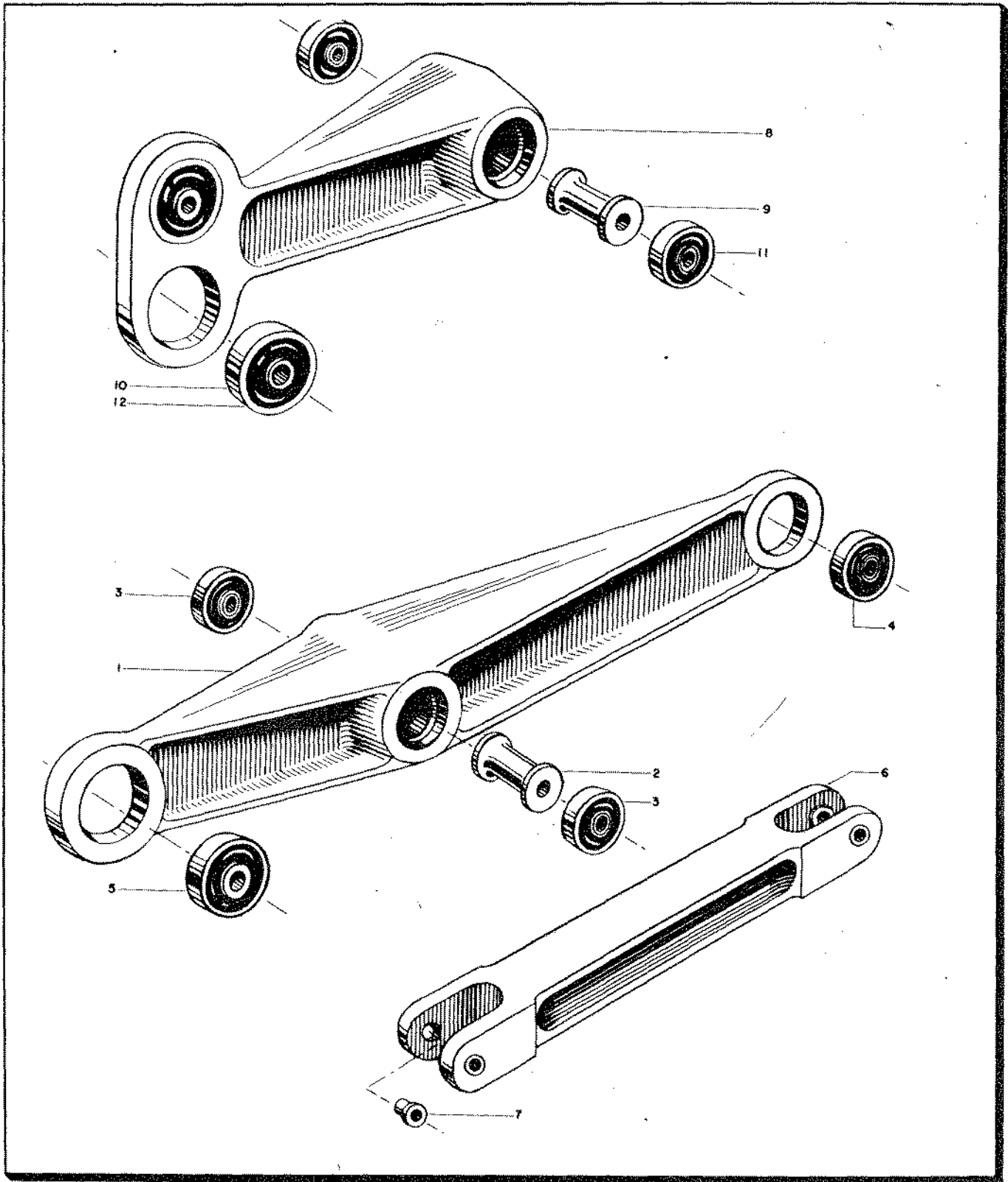


Figure 62—Aileron Control Link Assembly

RESTRICTED
AN 01-65BC-4
SECTION II—GROUP ASSEMBLY PARTS LISTS

FIG. NO.	INDEX NO.	STOCKED	SURFACE CONTROLS						UNITS PER ASSY	PROPERTY CLASSIFICATION				
			GROUP		LEVER ASSEMBLIES					U.S. NAVY	U.S. ARMY	BRITISH		
			MAJOR ASSEMBLY	PART NUMBER	1	2	3	4					5	6
60	15C		89F32108								2		01-N	
62	1		89F32108-1								1		01-N	
62	2		S-9151-14								1		01-N	
62	3		AN200-K4								2		29	
62	4		AN200-KS4								1		29	
62	5		AN200-KS5								1		29	
62	6		89F32109-1								1		01-N	
60	15D		89F32109								2		01-N	
62	7		S-9721-3-1/4								4		01-N	
60	14L		89S96153								3		01-N	
			89S96153-2								2		01-N	
62	8		89S96153-1								1		01-N	
62	9		S-9151-14								1		01-N	
62	10		AN200-KS-5								2		29	
62	11		AN200-K4								2		29	
62	12		AN200-K5								2		29	

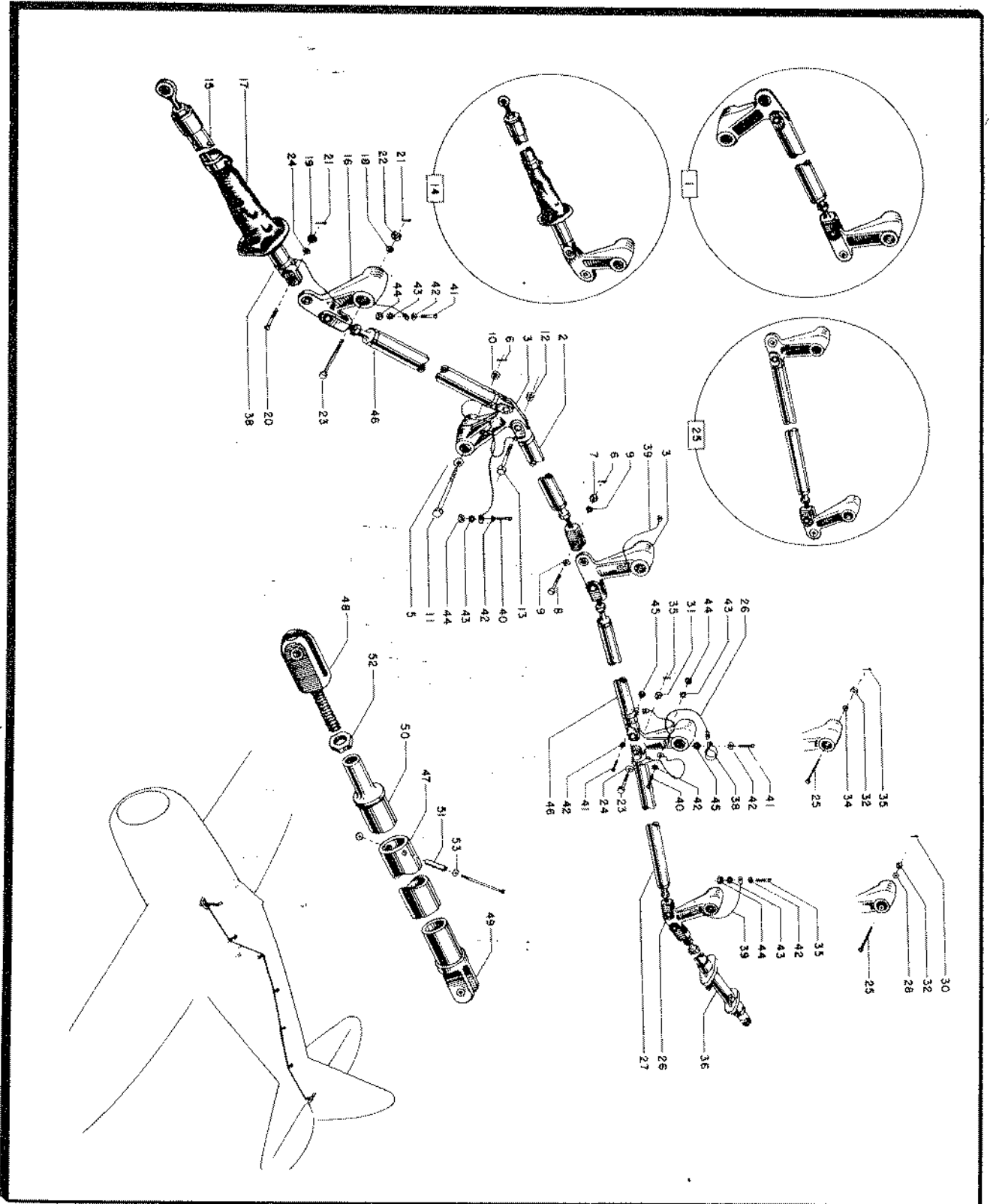


Figure 63—Elevator Control

RESTRICTED
AN 01-65BC-4
SECTION II—GROUP ASSEMBLY PARTS LISTS

FIG. NO.	INDEX NO.	STOCKED	GROUP		SURFACE CONTROLS						UNITS PER ASSY	PROPERTY CLASSIFICATION			
			MAJOR ASSEMBLY		ELEVATOR CONTROL							U.S. NAVY	U.S. ARMY	BRITISH	
			PART NUMBER		1	2	3	4	5	6					NOMENCLATURE
			89X33000-2									1		01-N	
63	1		89F33101									1		01-N	
63	2		89F33117									1		01-N	
63	3		89S96153-2									2		01-N	
63	4		S-2180-D5									1		01-N	
63	5		AN960-D416									3		04-A	
63	6		AN380-2-2									4		29	
63	7		AN310-5									1		04-A	
63	8		S-265-14									1		01-N	
63	9		AN960-D516									2		04-A	
63	10		AN310-4									2		04-A	
63	11		S-264-27									2		01-N	
63	12		AN320-5									1		04-A	
63	13		AN25-21									1		04-A	
63	14		89F33102-2									1		01-N	
63	15		89F33104									1		01-N	
63	16		89S96153-2									1		01-N	
63	17		89F33108									1		01-N	

RESTRICTED
AN 01-65BC-4
SECTION II—GROUP ASSEMBLY PARTS LISTS

FIG. NO.	INDEX NO.	S T O C K E D	GROUP SURFACE CONTROLS						UNITS PER ASSY	PROPERTY CLASSIFICATION				
			MAJOR ASSEMBLY		ELEVATOR CONTROL					U.S. NAVY	U.S. ARMY	BRITISH		
			PART NUMBER	1	2	3	4	5					6	NOMENCLATURE
63	18		AN960-D416								1		04-A	
63	19		AN320-5								1		04-A	
63	20		AN25-21								1		04-A	
63	21		AN380-2-2								2		29	
63	22		AN310-4								1		04-A	
63	23		S264-27								1		01-N	
63	24		S2180-D5								1		01-N	
63	25		89F33103								1		01-N	
63	26		89S96153-2								2		01-N	
63	27		89F33117								1		01-N	
63	28		S2180-D4								1		01-N	
			S265-14								2		01-N	
63	30		S264-31								2		01-N	
63	31		AN310-5								2		04-A	
63	32		AN310-4								2		04-A	
			AN960-D416								2		04-A	
63	34		AN960-D516								4		04-A	
63	35		AN380-2-2								4		29	
63	36		89F33120								1		01-N	
			AN320-5								2		04-A	

RESTRICTED
AN 01-65BC-4
SECTION II—GROUP ASSEMBLY PARTS LISTS

FIG. NO.	INDEX NO.	S T O C K E D	GROUP						UNITS PER ASSY	PROPERTY CLASSIFICATION		
			SURFACE CONTROLS							U.S. NAVY	U.S. ARMY	BRITISH
			MAJOR ASSEMBLY			ELEVATOR CONTROL						
PART NUMBER	1	2	3	4	5	6	NOMENCLATURE					
63	38							Clamp	7		04-A	
63	39							Jumpers (Thomas and Betts Co.)	10		08-B	
63	40							Screw	8		29	
63	41							Screw	8		29	
63	42							Washer	15		04-A	
63	43							Washer	9		29	
63	44							Nut	9		29	
63	45							Nut	7		04-A	
63	46							Rod Assembly	2		01-N	
63	47							Tube	1		01-N	
63	48							Fork End Assembly	1		01-N	
63	49							Fork End Assembly	1		01-N	
63	50							Threaded End	1		01-N	
63	51							Spacer	4		01-N	
63	52							Nut	1		04-A	
63	53							Washer	8		04-A	

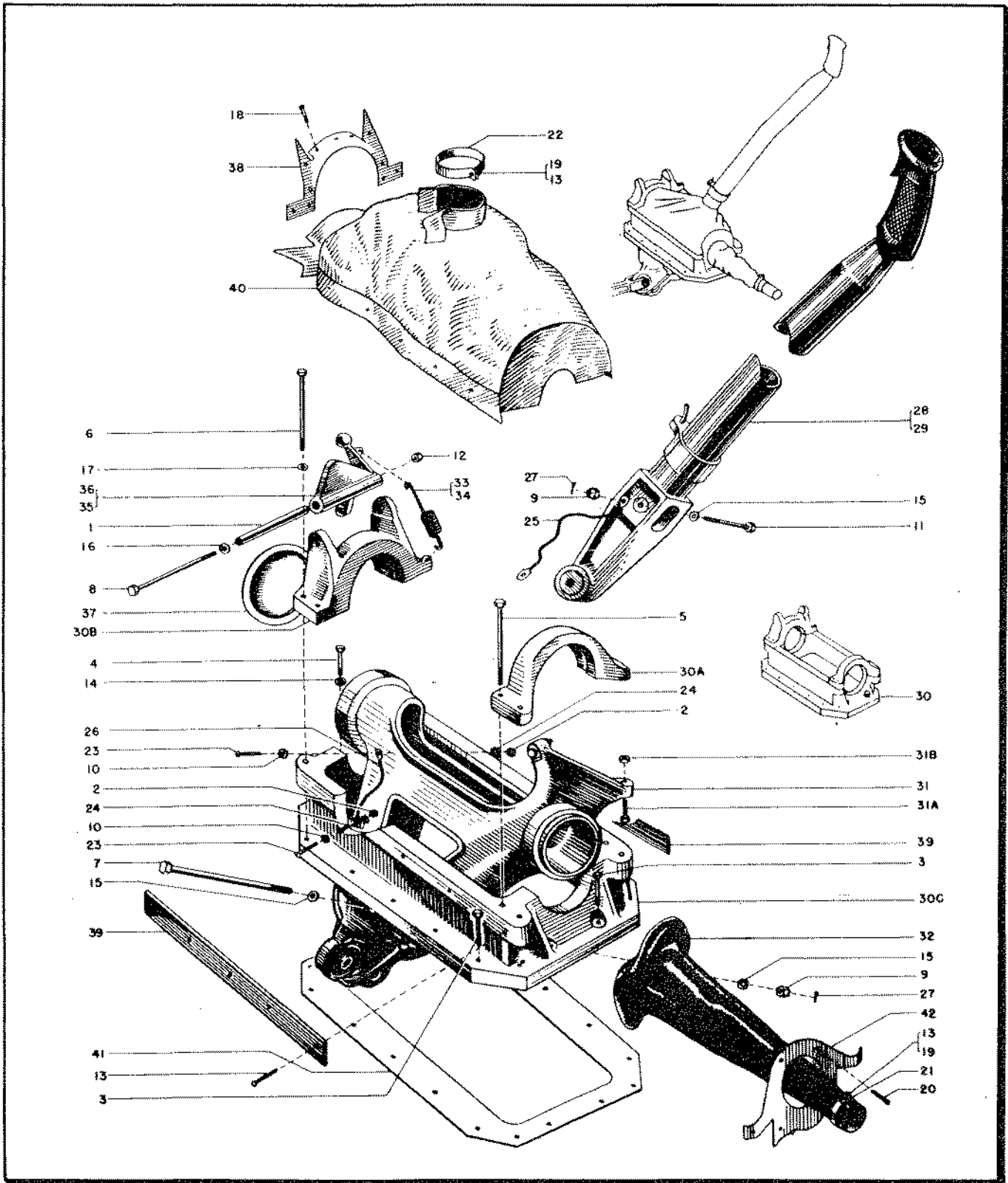


Figure 64—Stick Control

RESTRICTED
AN-01-65BC-4
SECTION II—GROUP ASSEMBLY PARTS LISTS

FIG. NO.	INDEX NO.	SYMBOL	GROUP	SURFACE CONTROLS						UNITS PER ASSY	PROPERTY CLASSIFICATION			
				MAJOR ASSEMBLY	INSTALLATION STICK CONTROL						U.S. NAVY	U.S. ARMY	BRITISH	
					PART NUMBER	1	2	3	4					5
64	1		89X34000	Installation - Stick Control								01-N		
64	2		S-9720-4-2.495							1		01-N		
64	3		AN340-8							2		01-N		
64	4		AN3-6A							12		04-A		
64	5		AN3-7A							2		04-A		
64	6		AN3-26A							4		04-A		
64	7		AN3-27A							4		04-A		
64	8		S-265-30							1		01-N		
64	9		AN4-35A							1		04-A		
64	10		AN310-5							2		04-A		
64	11		AN960-8							2		04-A		
64	12		S-265-17							1		01-N		
64	13		AN365-428							1		04-A		
64	14		AN365-832							2		04-A		
64	15		AN960-10							2		04-A		
64	16		AN960-D516							4		04-A		
64	17		AN960-416							1		04-A		
64	18		AN960-10L							4		04-A		
64	19		AN530-2-4							19		29		
64	20		515-8-8							2		29		
64	21		530-4-4							6		29		
64	22		735-20							1		04-A		
64	23		735-28							1		04-A		
64	24		AN515-8-12							1		29		
64	25		936-B8							2		29		
64	26		BQ7T							1		08-B		
64	27		BQ5Q							1		08-B		
64	28		AN380-2-2							2		29		
64	29		89F34101											
64	30		89F34101-10							1		01-N		
64	30A		89F34103							1		01-N		
64	30B		89F34120							1		01-N		
64	30C		89F34121							1		01-N		
64	31		89F34122							1		01-N		
64	32		89F34105							1		01-N		
64	33		89F34109							1		01-N		
64	34		AN315-4R							2		01-N		
64	35		89F34119							2		04-A		
64	36		89F34117							1		01-N		
64	37		89F34113							1		01-N		
64	38		89F34117							1		01-N		
64	39		89F34113-1							1		01-N		
64	40		89F34123							1		01-N		
64	41		89F34124							1		01-N		
64	42		89F34125							1		01-N		
64	43		89F34126							1		01-N		
64	44		89F11273							1		01-N		
64	45		89F34118							1		01-N		

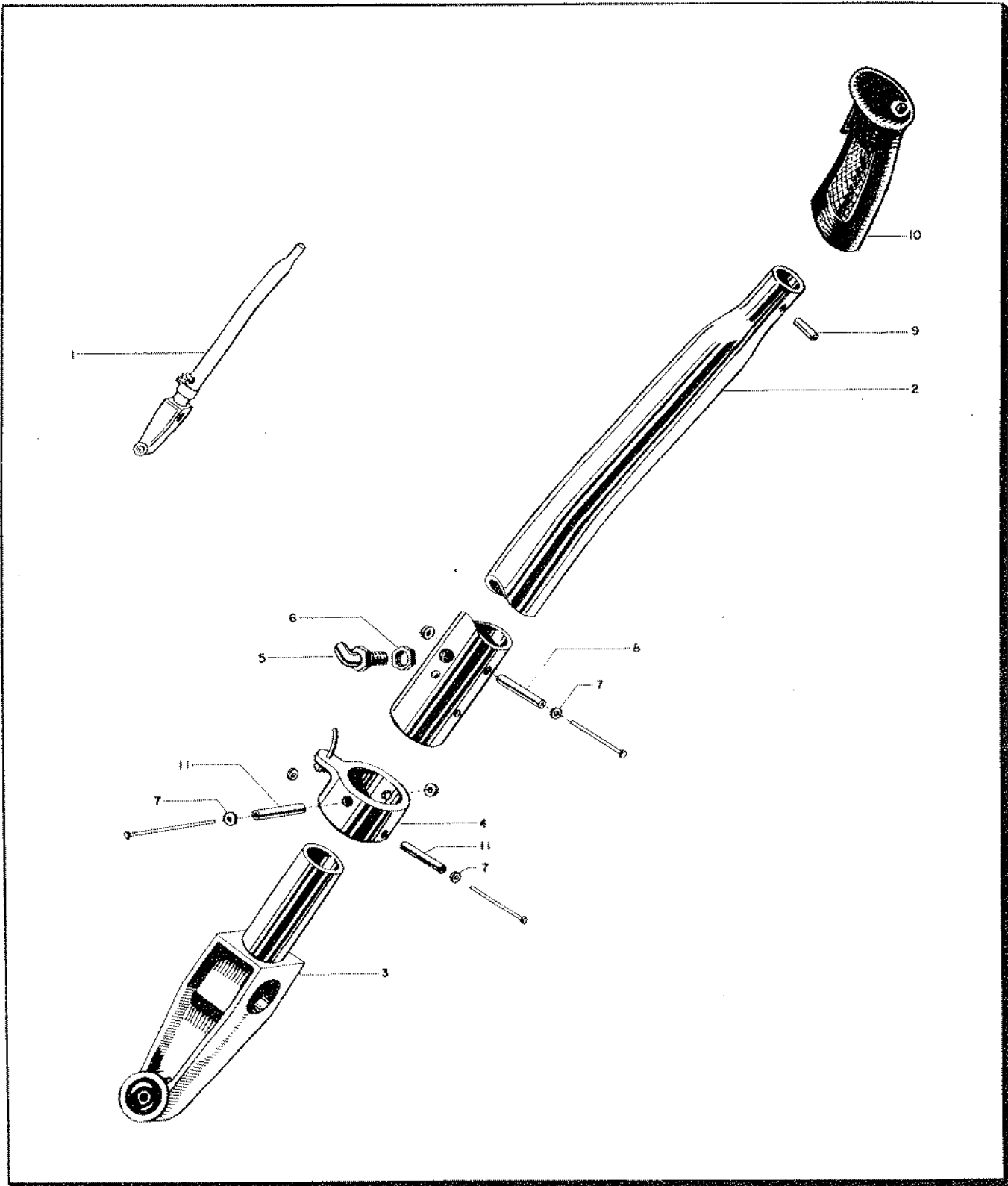


Figure 65—Stick Assembly Control

RESTRICTED
AN-01-65BG-4
SECTION II—GROUP ASSEMBLY PARTS LISTS

FIG. NO.	INDEX NO.	S T I C K C O N T R O L	GROUP SURFACE CONTROLS						UNITS PER ASSY	PROPERTY CLASSIFICATION			
			MAJOR ASSEMBLY		STICK CONTROL					U.S. NAVY	U.S. ARMY	BRITISH	
			PART NUMBER	1	2	3	4	5					6
64	28		89X34101							1		01-N	
65	1		89F34101-10							1		01-N	
65	2		89F34102							1		01-N	
65	3		89F34104							1		01-N	
65	4		89F34108							1		01-N	
65	4		89F34108-10							1		01-N	
65	5		AN3060-6							1		04-A	
65	6		AN3066-6							1		04-A	
65	7		AN960-D10							6		04-A	
65	8		S-9746-6-1-3/4							1		01-N	
65	9		S-5202-3-1-1/8							1		01-N	
65	10		41B8946							1		03-C	
65	11		S-9746-6-2-1/16							2		01-N	

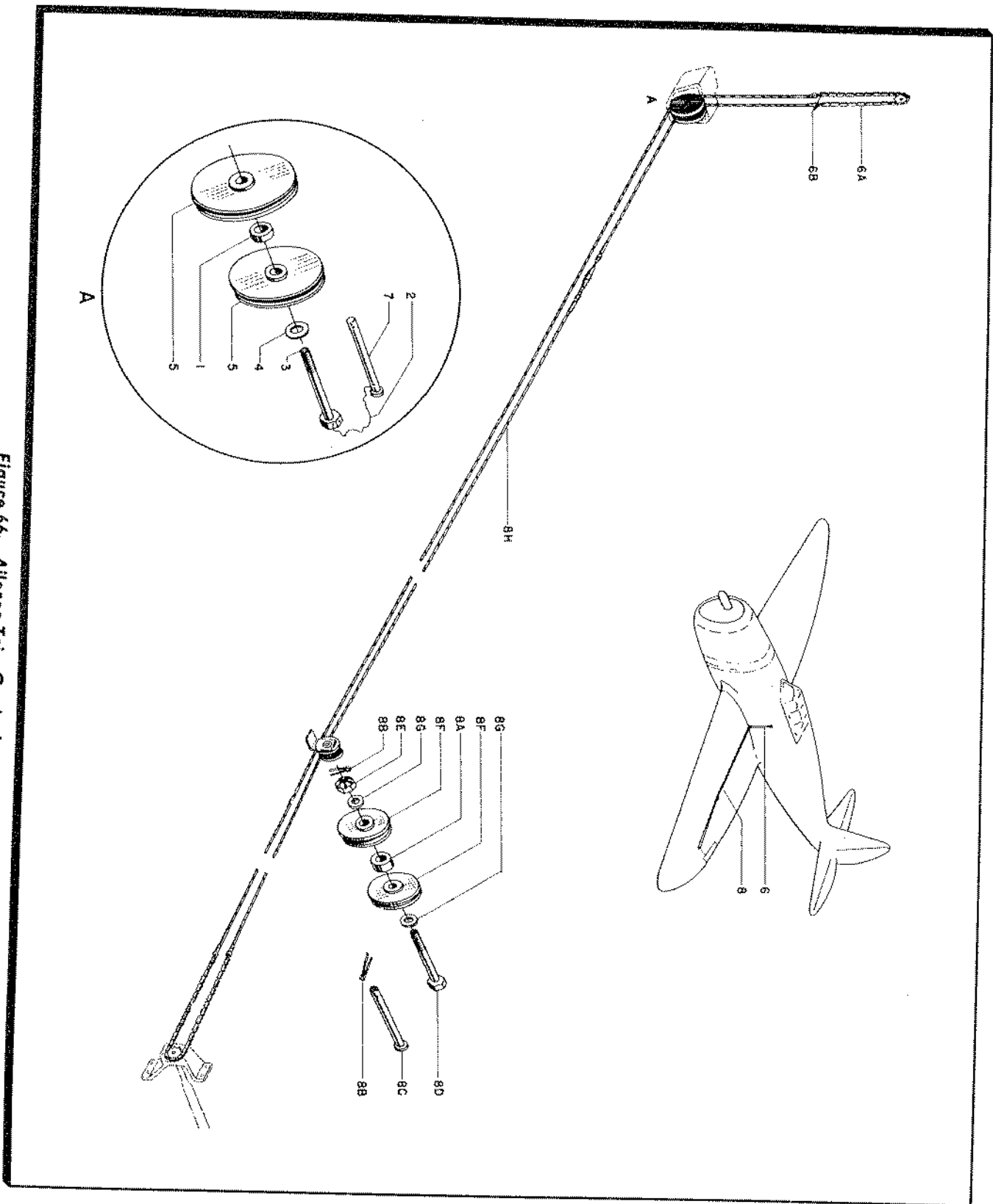


Figure 66—Aileron Trim Control

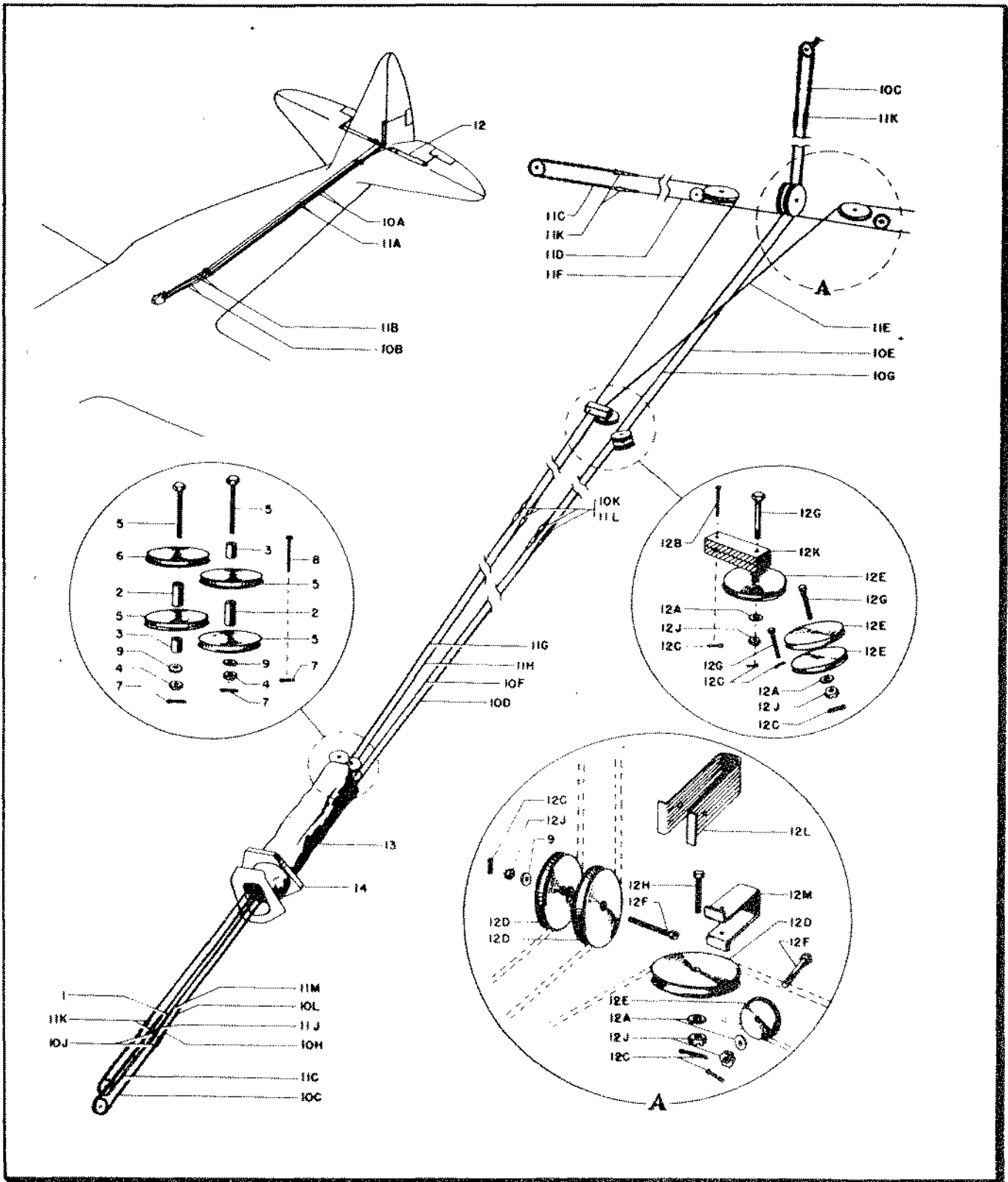


Figure 67—Rudder Elevator Trim Control

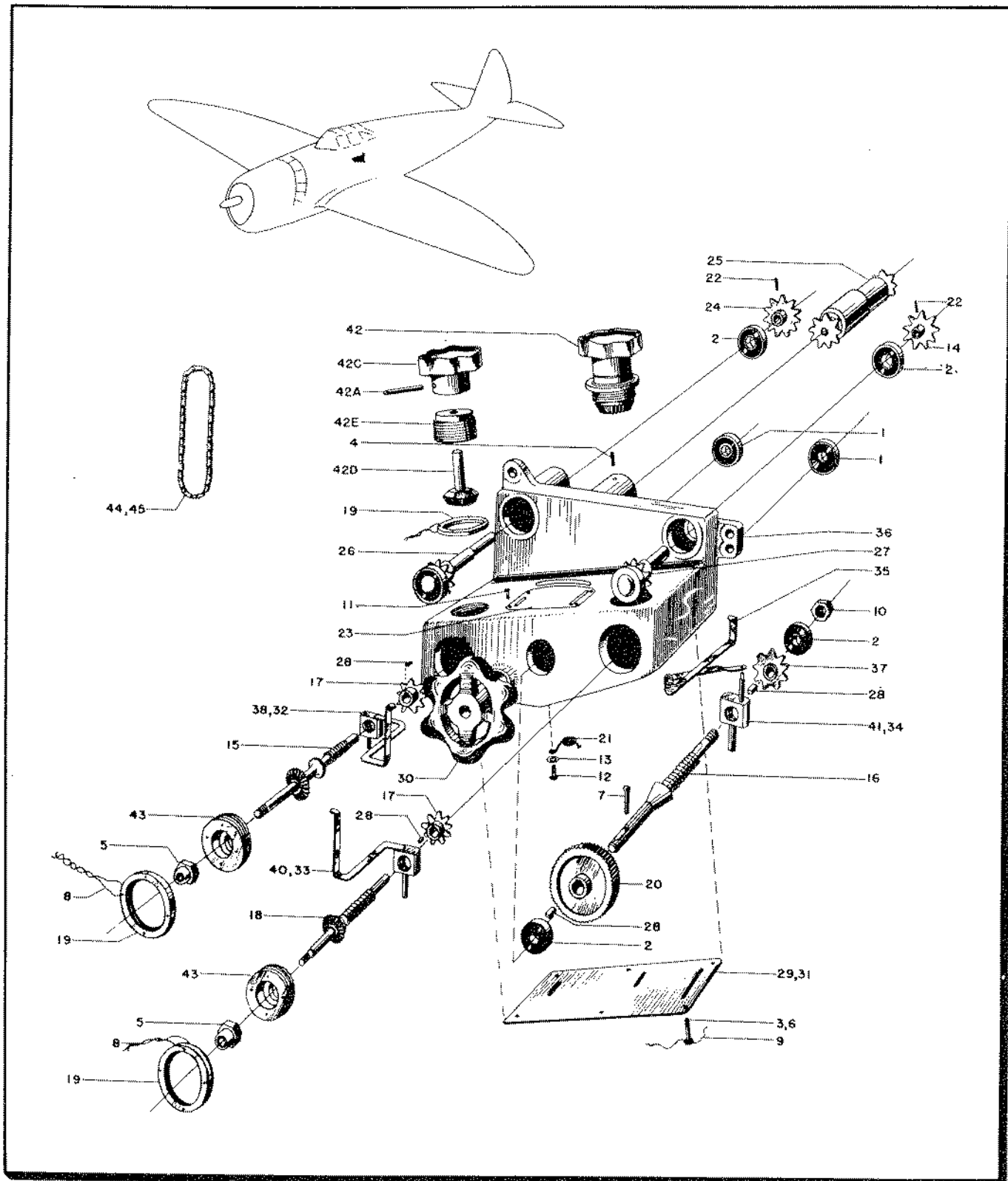


Figure 68—Trim Control Unit Assembly

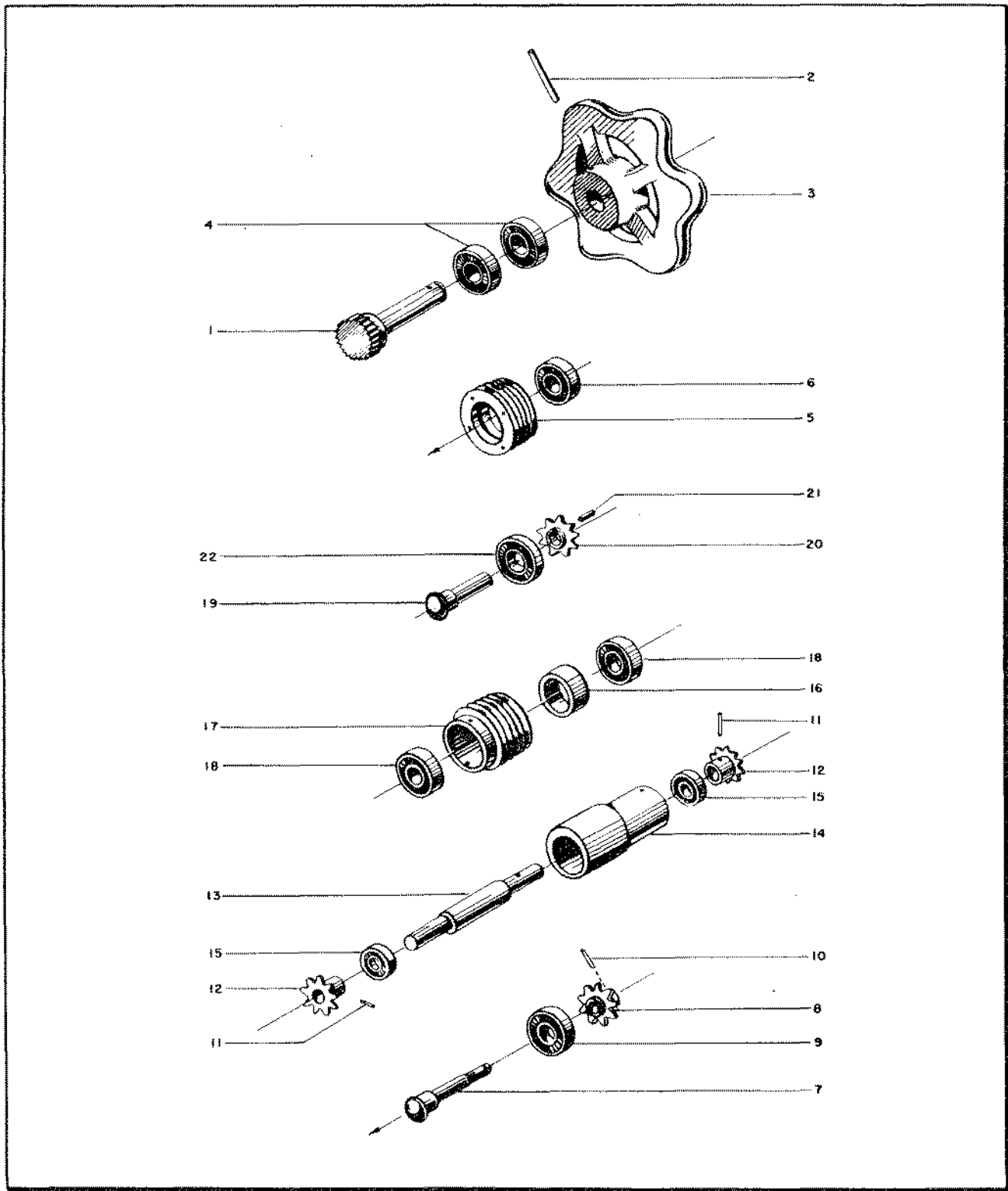


Figure 69—Trim Control Unit

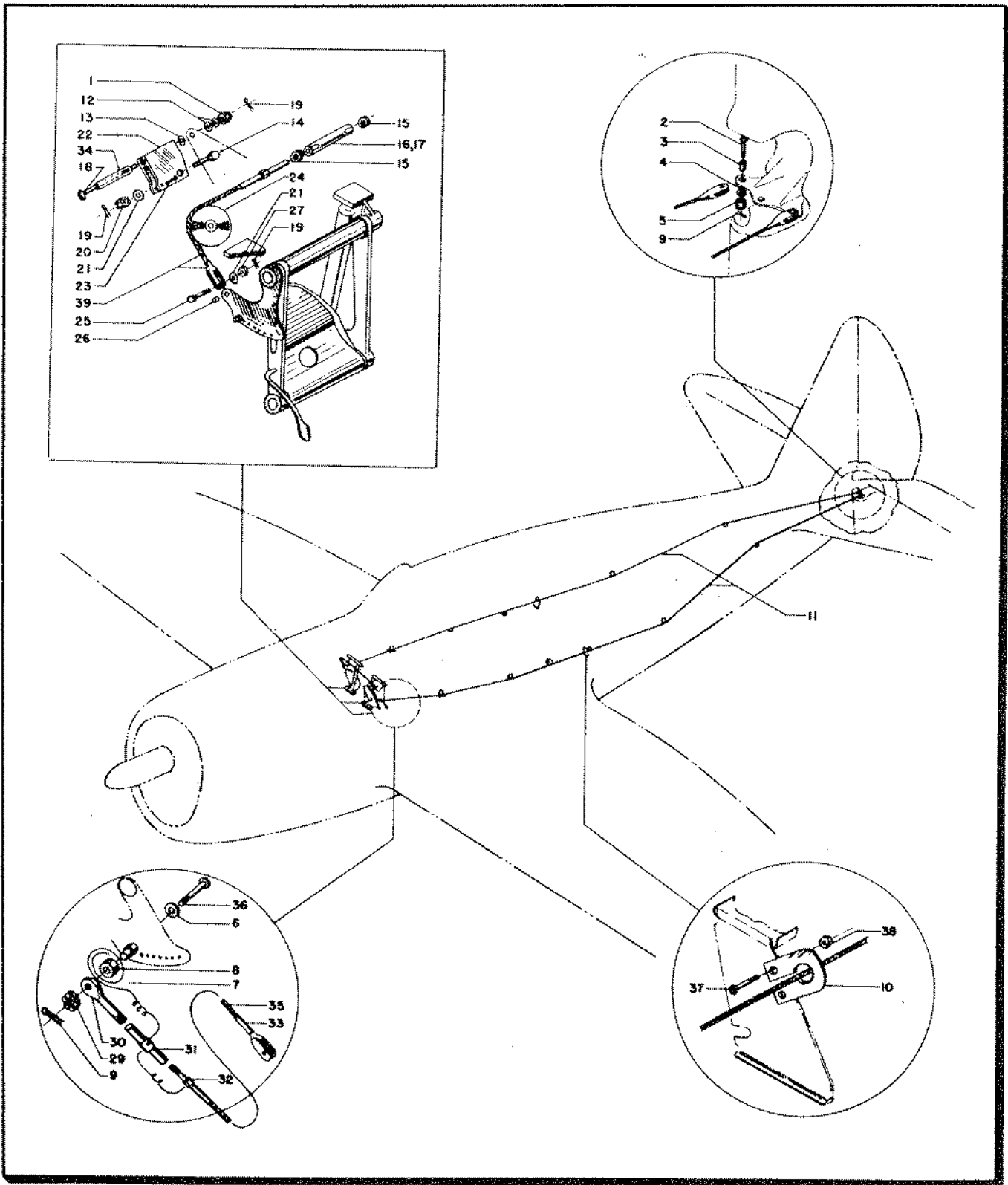


Figure 70—Rudder Control

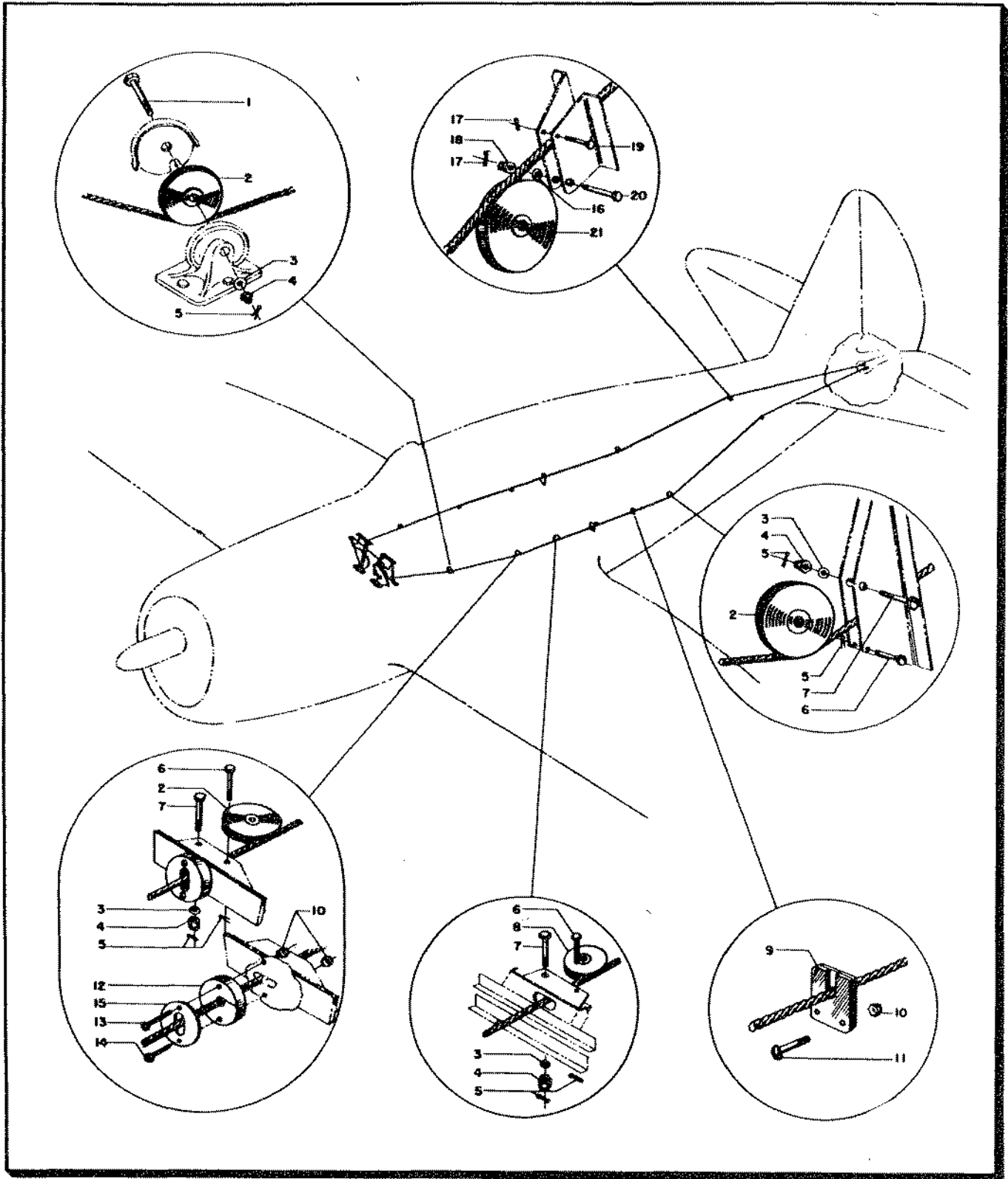


Figure 71—Rudder Control—(Fuselage)

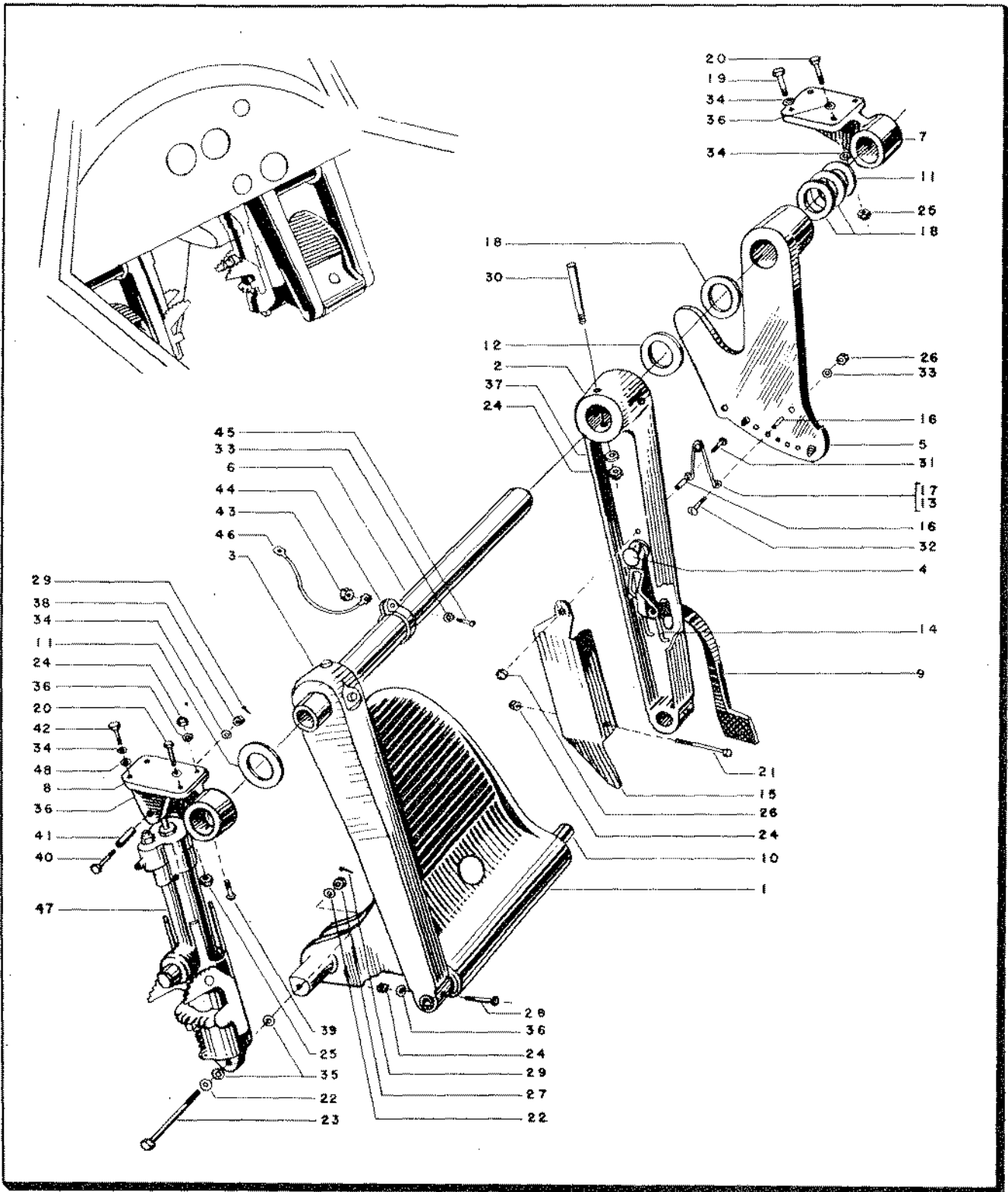


Figure 72—Brake and Pedal

RESTRICTED
AN 01-65BC-4

SECTION II—GROUP ASSEMBLY PARTS LISTS

FIG. NO.	INDEX NO.	STOCKED	GROUP HYDRAULIC SYSTEM						UNITS PER ASSY	PROPERTY CLASSIFICATION					
			MAJOR ASSEMBLY INSTALL.—FUSELAGE AFT HYDRAULIC SYSTEM							U.S. NAVY	U.S. ARMY	BRITISH			
			PART NUMBER	1	2	3	4	5					6	NOMENCLATURE	
			89F38103									Installation-Fuselage Aft Hydraulic System			01-N
73	1		AN393-33								1				04-A
73	2		89F38196								1				01-N
73	3		AN380-2-2								1				29
73	4		40D372-6D								2				04-A
73	5		40B887-D18C026-16								4				04-A
73	6		40B374-6D								2				04-A
73	7		39G1030-6-18								2				04-B
73	8		39G1030-6-16								1				04-B
73	9		39B1024-6								2				04-A

RESTRICTED

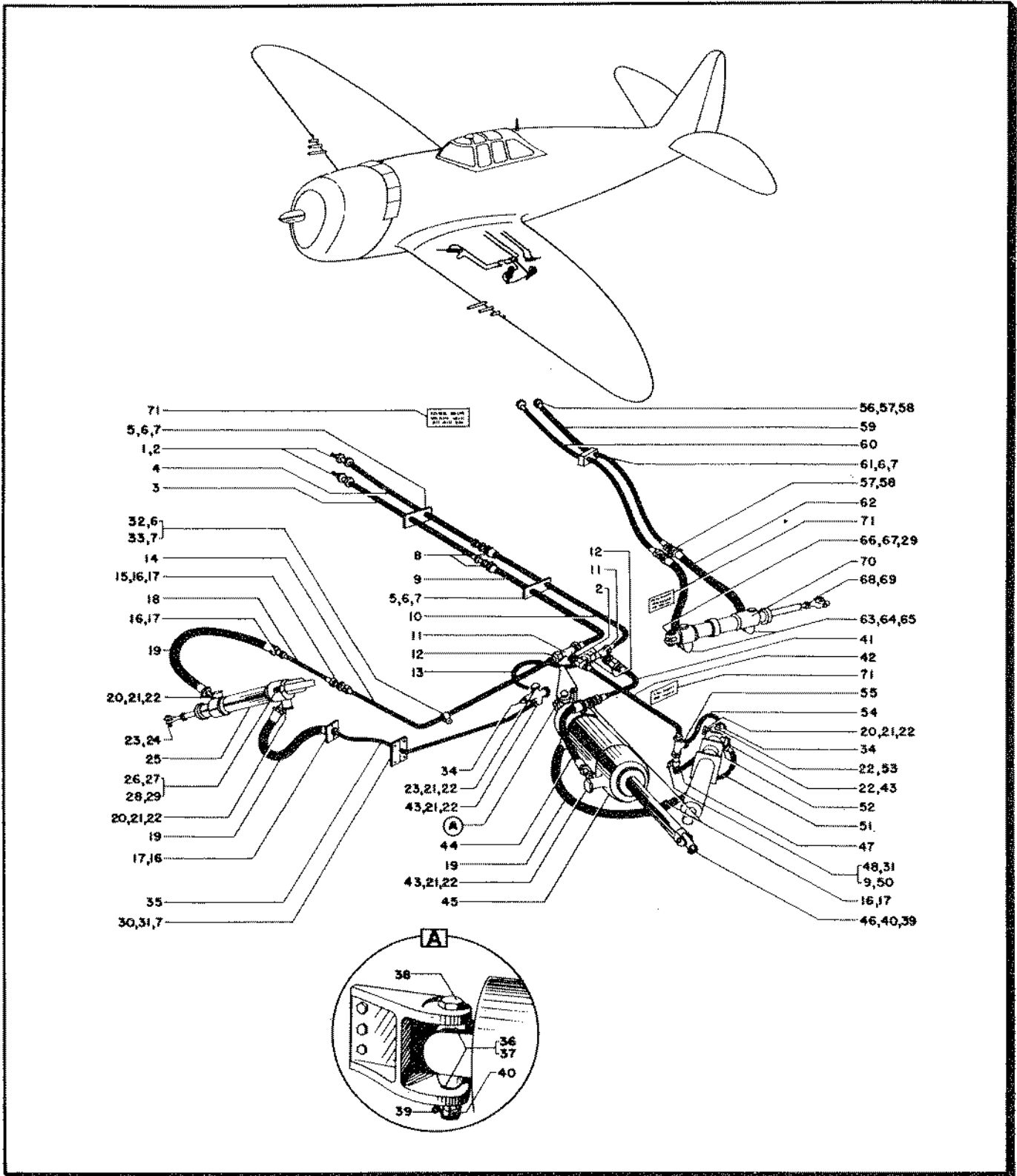


Figure 74—Hydraulic System—(Wing)

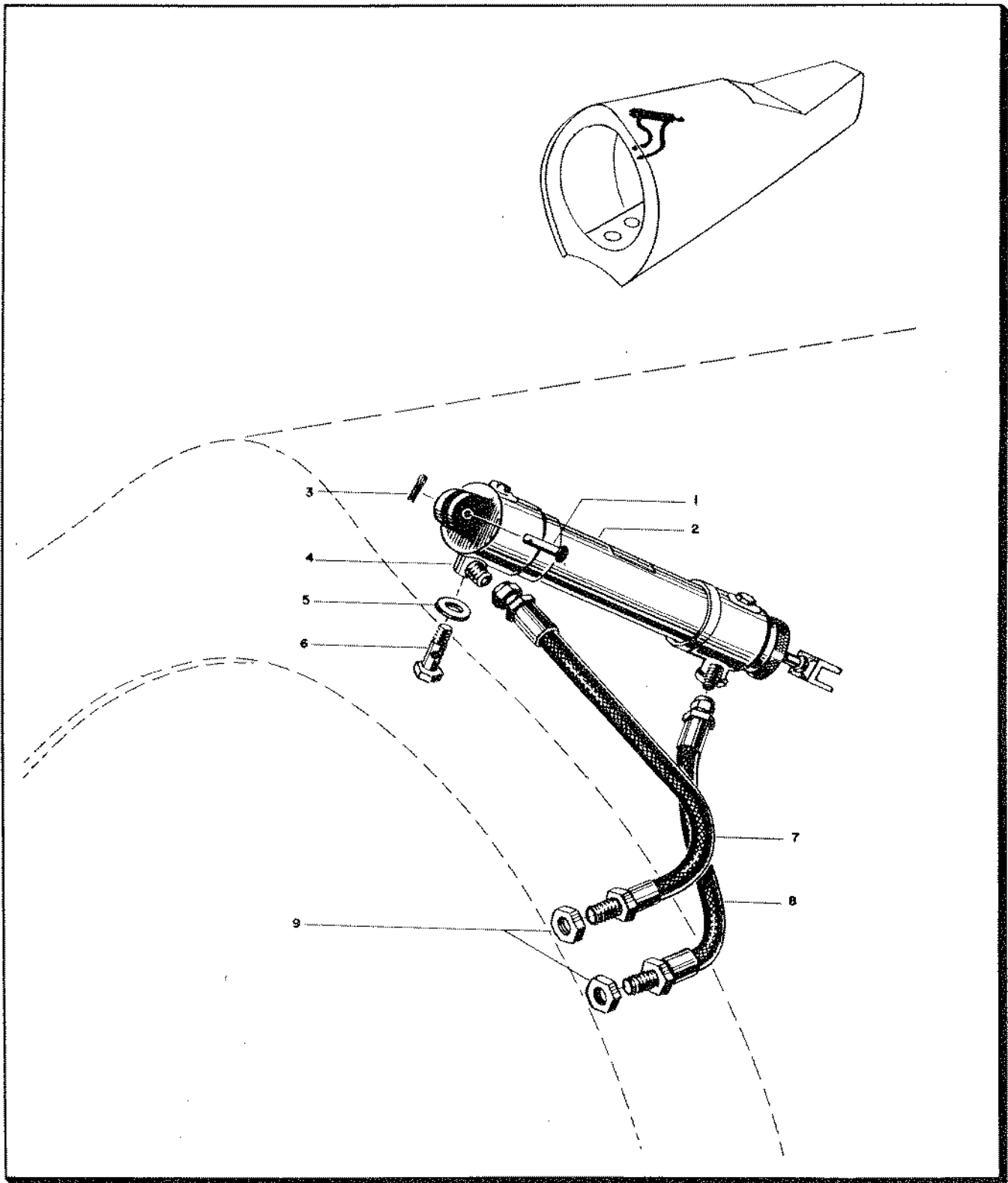


Figure 73—Hydraulic System—(Fuselage—Aft)

RESTRICTED
AN 01-65BC-4
SECTION II—GROUP ASSEMBLY PARTS LISTS

FIG. NO.	INDEX NO.	STOCKED	GROUP HYDRAULIC SYSTEM						UNITS PER ASSY	PROPERTY CLASSIFICATION				
			MAJOR ASSEMBLY		HYDRAULIC SYSTEM WINGS						U.S. NAVY	U.S. ARMY	BRITISH	
			PART NUMBER	1	2	3	4	5		6				NOMENCLATURE
			89C38104							Installation Hydraulic System Wings	1		01-N	
74	1		3115-1HT-8D							Bulkhead Union (Parker Appliance Co.)	2		04-A	
74	2		39B1024-8 or 8D							Checknut	2		04-A	
74	3		89896605-1							Tube Assembly	1		01-N	
74	4		89896605-3							Tube Assembly	1		01-N	
74	5		89C38427							Block - $\frac{1}{2}$ " Tube Guide	4		01-N	
74	6		AN515-8-8							Screw	6		29	
74	7		AN365-832							Nut	11		04-A	
74	8		AN811-HT-8D							Union	2		04-A	
74	9		89896605-2							Tube Assembly	1		01-N	
74	10		89896605-4							Tube Assembly	1		01-N	
74	11		3115-1JT-8D							Tee (Parker Appliance Co.)	2		04-A	
74	12		1-2341-25-12							Adapter (Parker Appliance Co)	4		04-A	
74	13		89896604-3							Tube Assembly	1		01-N	
74	14		89896604-1							Tube Assembly	1		01-N	
74	15		3115-1HT-6D							Bulkhead Union	1		04-A	
74	16		39B1024-6 or 6D							Check Nut	5		04-A	
74	17		AN960-A916							Washer	5		04-A	
74	18		89896604-2							Tube Assembly	1		01-N	
74	19		39G1030-6-14							Hose Assembly	3		01-N	
74	20		40D372-6D							Swivel 45°	4		04-A	
74	21		40B374-6D							Hydraulic Bolt	8		04-A	
74	22		40B887-018C026-16							Gasket	17		04-A	
74	23		AN24-17A							Bolt - Clevis	1		04-A	
74	24		AN364-428							Nut	1		04-A	
74	25		89C38180							Landing Gear Door Cylinder	1		01-N	
74	26		89C38329							Spacer	1		01-N	
74	27		AN960-416							Washer	2		04-A	
74	28		AN4-44A							Bolt	1		04-A	
74	29		AN365-428							Nut	2		04-A	
74	30		89C38261							Guide - $\frac{3}{8}$ " Tube Timing Valve Line	2		01-N	

RESTRICTED
AN 01-65BC-4
SECTION II—GROUP ASSEMBLY PARTS LISTS

FIG. NO.	INDEX NO.	SYMBOL	HYDRAULIC SYSTEM						UNITS PER ASSY	PROPERTY CLASSIFICATION			
			GROUP	MAJOR ASSEMBLY						U.S. NAVY	U.S. ARMY	BRITISH	
			MAJOR ASSEMBLY	HYDRAULIC SYSTEM WINGS									
PART NUMBER	1	2	3	4	5	6	NOMENCLATURE						
74	31		AN515-8-12						Machine Screw	5		29	
74	32		S-9796-6						Tube Clip	1		01-N	
74	33		89C38292						Shim - Clamp Ear Type	1		01-N	
74	34		89C38401						Timing Valve	2		01-N	
74	35		89S96604-4						Tube Assembly	1		01-N	
74	36		89C38104-1						Washer	2		01-N	
74	37		AN960-916						Washer	2		04-A	
74	38		AN9-45						Bolt	1		04-A	
74	39		AN380-4-4						Pin - Cotter	2		29	
74	40		AN310-9						Nut	2		04-A	
74	41		89S96604-5						Tube Assembly	1		01-N	
74	42		89S96604-6						Tube Assembly	1		01-N	
74	43		40D371-6D						Swivel 1 1/2"	4		04-A	
74	44		39G1030-6-16						Hose Assembly	1		04-B	
74	45		89C38200						Landing Gear Cylinder	1		01-N	
74	46		AN9-30						Bolt	1		04-A	
74	47		89S96604-7						Tube Assembly	1		01-N	
74	48		S-9795-6						Tube Clip	1		01-N	
			6 Type D-D						Tube Clip	1			
74	50		89C38346						Spacer - 1/4" Hydraulic Line - Loop Clamp	1		01-N	
74	51		89S96604-8						Tube Assembly	1		01-N	
74	52		89C38224						Downlock Cylinder	1		01-N	
74	53		40D373-6D						Union	1		04-A	
74	54		89S96604-9						Tube Assembly	1		01-N	
74	55		AN811-JT-6D						Tee	1		04-A	
74	56		3115-1ET-4D						Bulkhead Elbow	2		04-A	
74	57		AN316-7R						Checknut	4		04-A	
74	58		AN960-A716						Washer	4		04-A	
74	59		89S96603-30						Tube Assembly	1		01-N	
74	60		89S96603-4						Tube Assembly	1		01-N	
74	61		S-9224-3						Tube Clip	1		01-N	

RESTRICTED
AN 01-65BC-4

SECTION II—GROUP ASSEMBLY PARTS LISTS

FIG. NO.	INDEX NO.	STOCKED	GROUP						UNITS PER ASSY	PROPERTY CLASSIFICATION			
			HYDRAULIC SYSTEM							U.S. NAVY	U.S. ARMY	BRITISH	
			MAJOR ASSEMBLY		HYDRAULIC SYSTEM WINGS								
PART NUMBER	1	2	3	4	5	6	NOMENCLATURE						
74	62		39G1039-4-18						Hose Assembly	2		01-N	
74	63		40B887-014C022-16						Gasket	4		04-A	
74	64		40D371-4D						Swivel 15°	2		04-A	
74	65		40B374-4D						Hydraulic Bolt	2		04-A	
74	66		AN4-15A						Bolt	1		04-A	
74	67		AN960-D416						Washer	1		04-A	
74	68		AN25-23A						Bolt - Clevis	1		04-A	
74	69		AN364-524						Nut	1		04-A	
74	70		89C38210						Flap Cylinder	1		01-N	
74	71		S-202						Decalcomania	4		01-N	

RESTRICTED

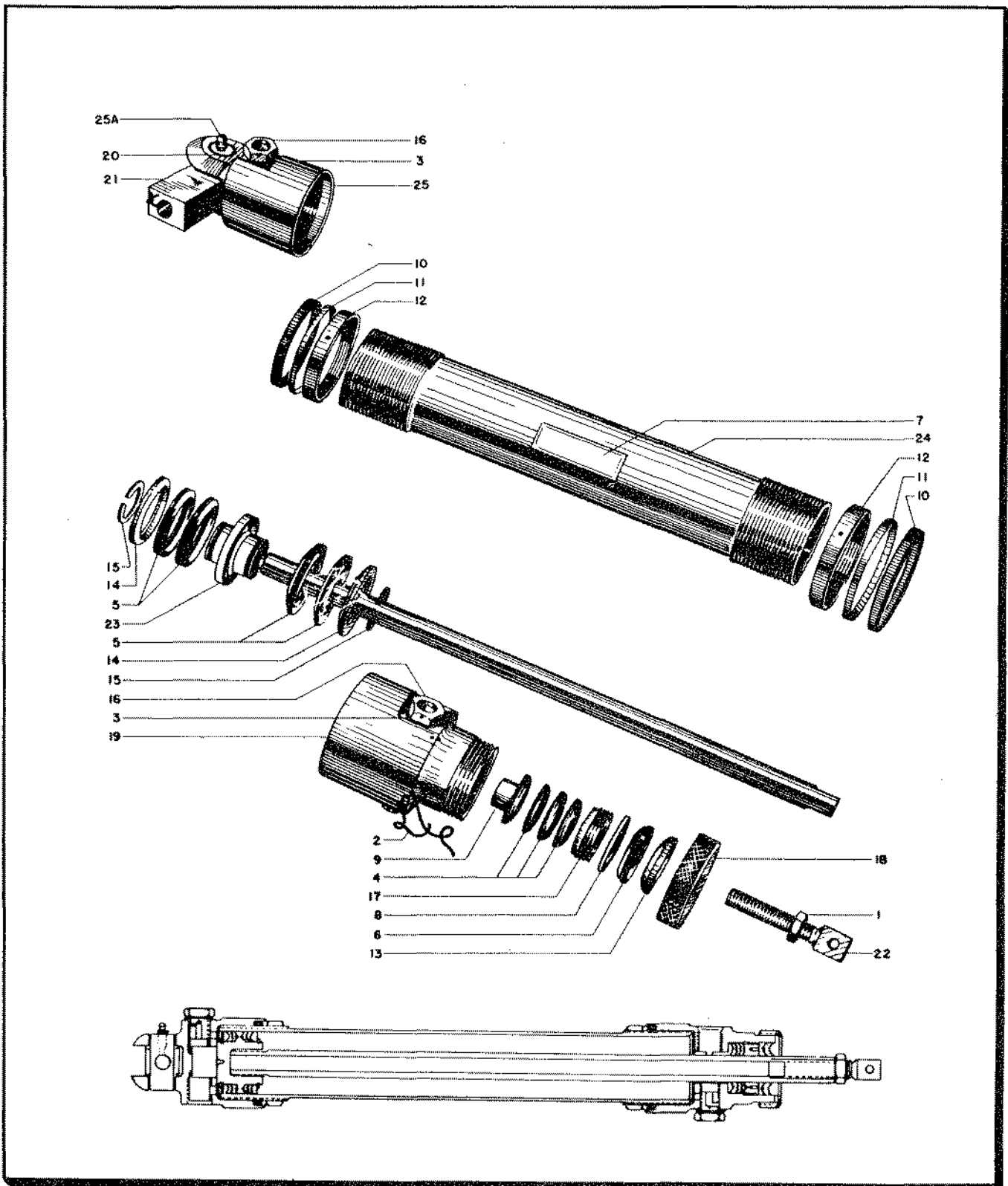


Figure 75—Landing Gear Door—Hydraulic Cylinder

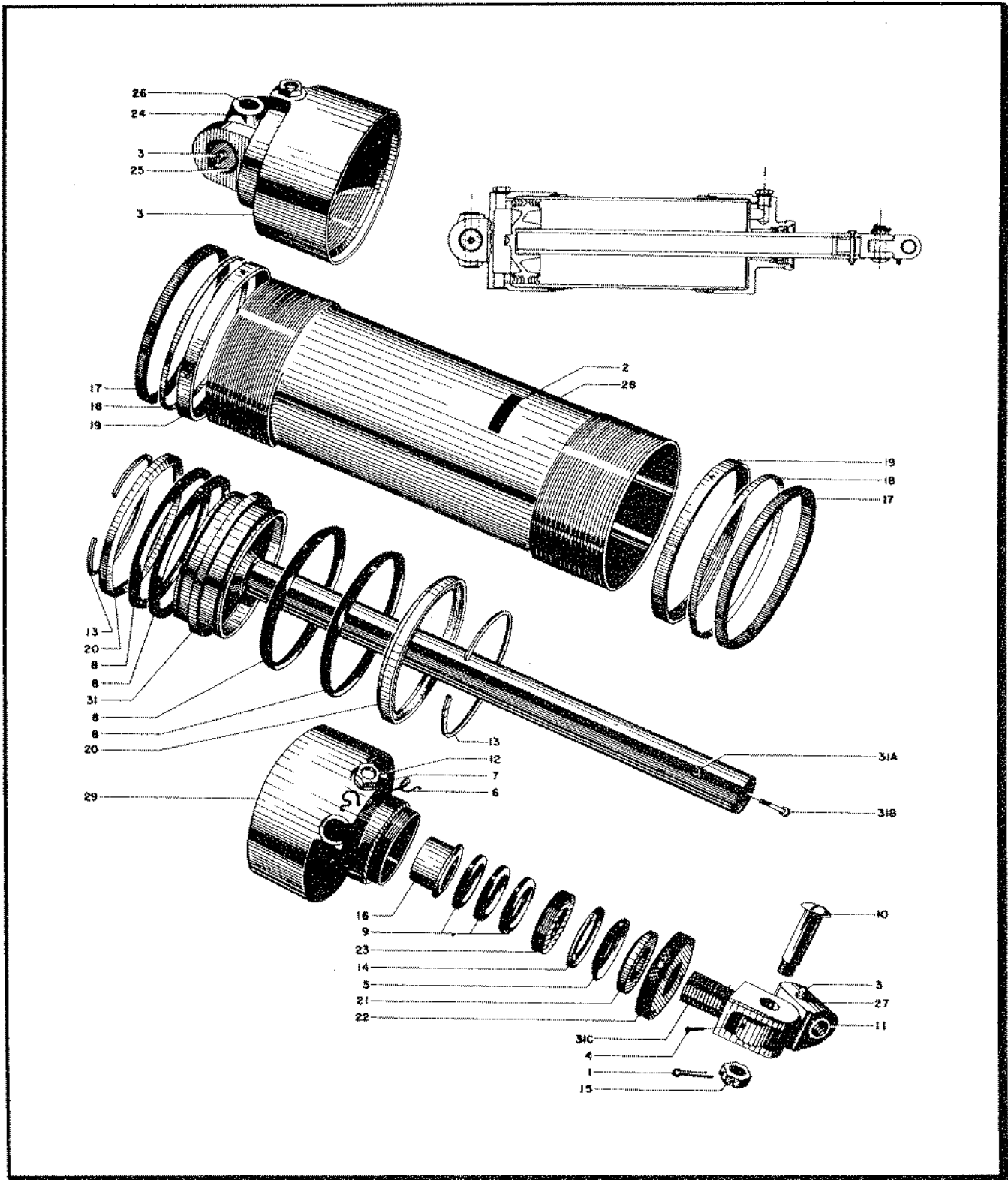


Figure 76—Landing Gear—Retracting Cylinder

RESTRICTED
AN 01-65BC-4
SECTION II—GROUP ASSEMBLY PARTS LISTS

FIG. NO.	INDEX NO.	STOCKED	GROUP						UNITS PER ASSY	PROPERTY CLASSIFICATION										
			HYDRAULIC SYSTEM							U.S. NAVY	U.S. ARMY	BRITISH								
			MAJOR ASSEMBLY		LANDING GEAR RETRACTING CYLINDER															
PART NUMBER	1	2	3	4	5	6	NOMENCLATURE													
74	45		89C38200														Cylinder Assembly - Landing Gear Retracting			01-N
76	1		AN380-3-4														Pin - Cotter	1		29
76	2		89S96613-1														Name Plate	1		01-N
76	3		1641														Alumite Fitting	2		29
76	4		AN535-4-4														Screw	1		29
76	5		AC40B629-11-112														Packing (Use AN6225)	3		04-B
76	6		995C40-12														Wire	1		04-A
76	7		AC-40B887-018-C-026-16														Gasket	2		04-A
76	8		AC-40B629-12-324														Packing (Use AN6225)	4		04-B
76	9		AC-40B629-11-112														Packing (Use AN6225)	1		04-B
76	10		89C38347														Bolt	1		01-N
76	11		89C38212														Spacer	1		01-N
76	12		89S96207-6														Bleeder	2		01-N
76	13		89S96208-6														Snapspring	2		01-N
76	14		89S96215-4														Retainer	1		01-N
76	15		AN320-7														Nut - Shear	1		04-A
76	16		89S96213-4														Retainer	1		04-N
76	17		89S96212-6														Gaskets	2		01-N
76	18		89S96211-6														Lockrings	2		01-N
76	19		89S96210-6														Locknuts	2		01-N
76	20		89S96472-1														Retainer	2		01-N
76	21		89S96209-4														Retainer	1		01-N
76	22		89C38217														Cap	1		01-N
76	23		89C38216														Retainer	1		01-N
76	24		89C38221														Block	1		01-N
76	25		89C38219														Pin	1		01-N
76	26		89C38209														Spacer	1		01-N
76	27		89C38211														Link	1		01-N
76	28		89C38203														Barrel	1		01-N
76	29		89C38202														Head (Outboard)	1		01-N
			89C38201														Head Assembly (Inboard)	1		01-N
76	31		89C38204														Piston Assembly	1		01-N
76	31A		365-1032														Nut	1		04-A
76	31B		AN3-16A														Bolt	1		04-A
76	31C		89C38214														Fork-Threaded Hydraulic Cylinder Landing Gear	1		01-N

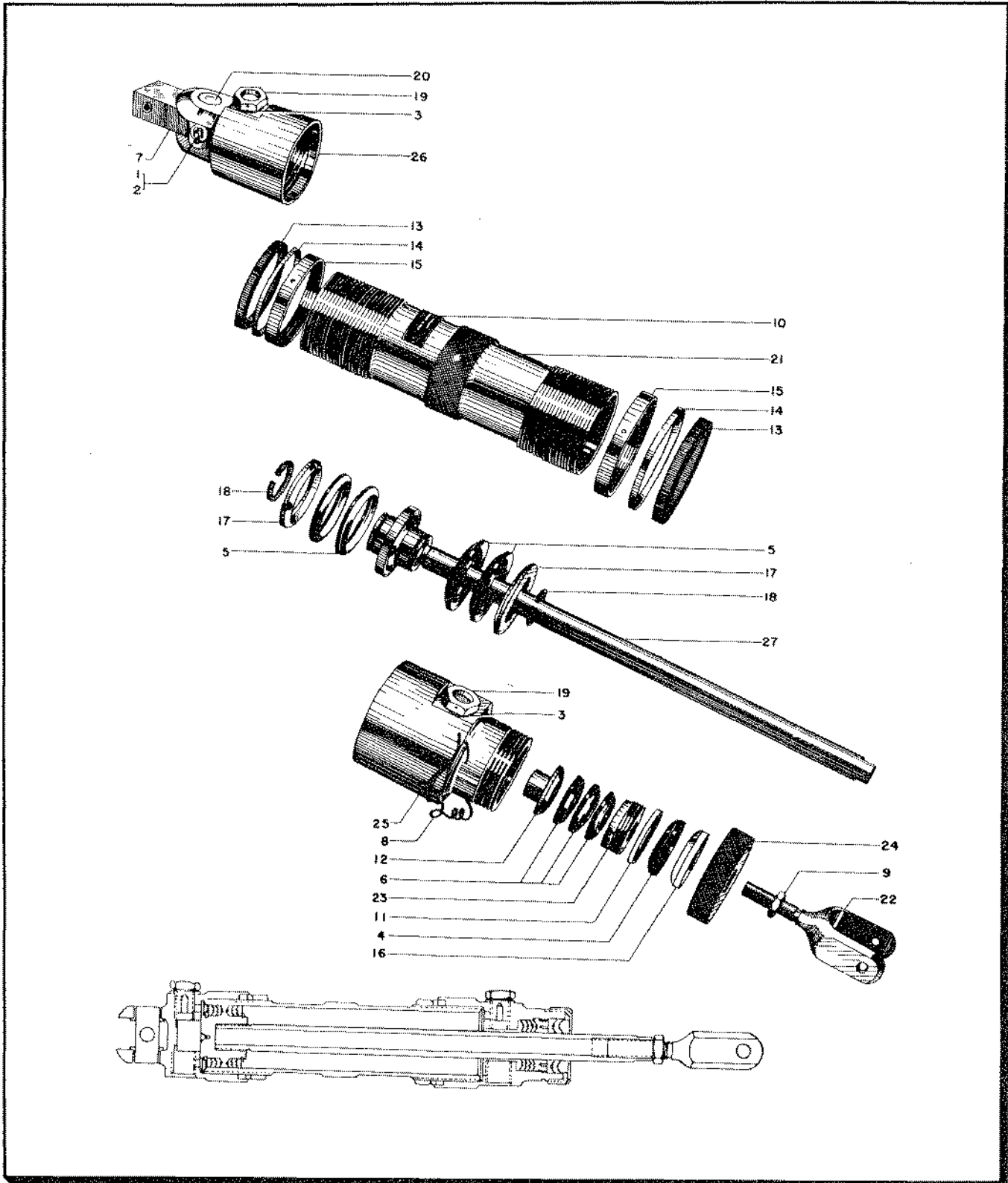


Figure 77—Wing Flap Operating Cylinder

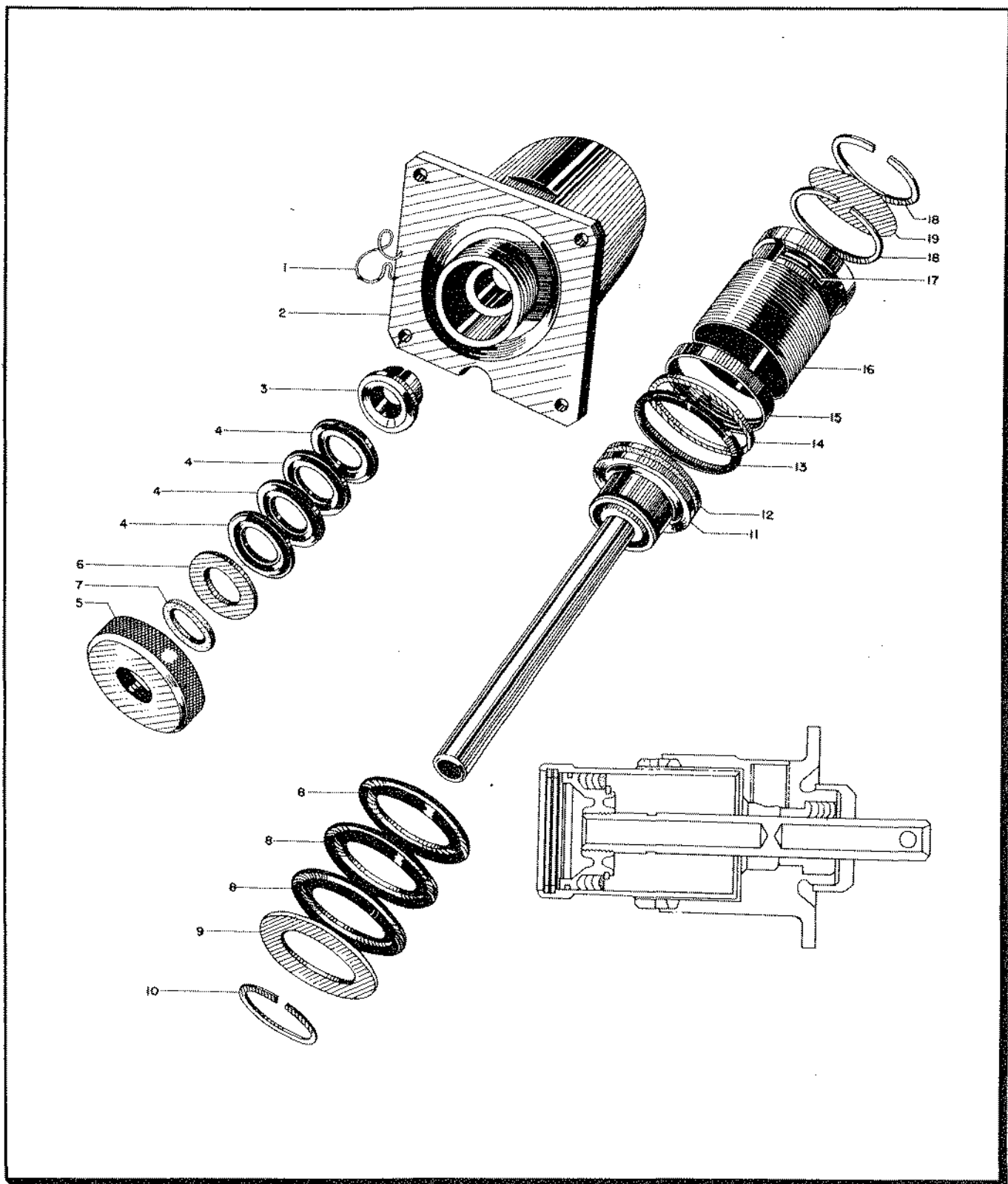


Figure 78—Downlock Cylinder

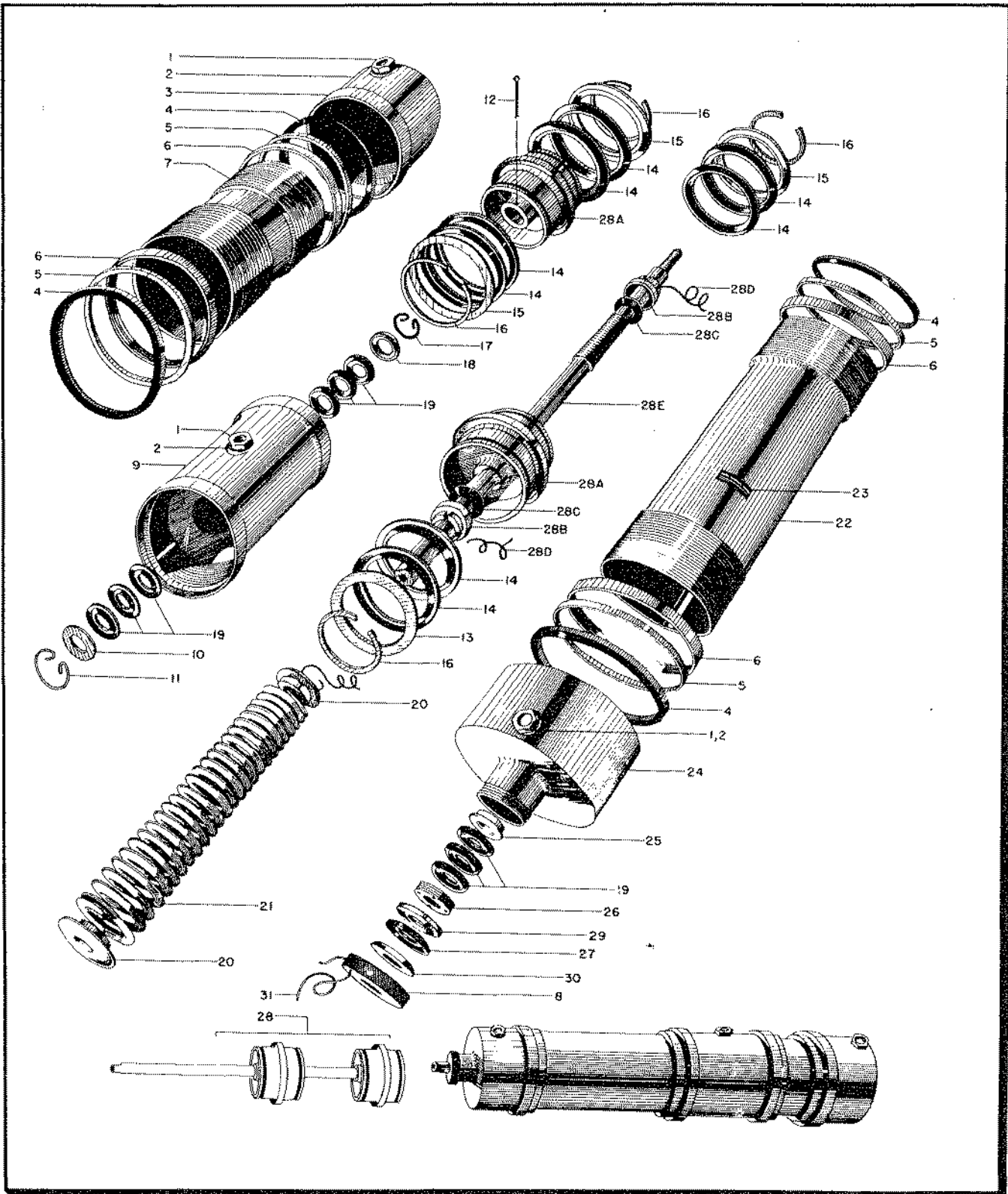


Figure 79—Flow Equalizer Flap Control Cylinder

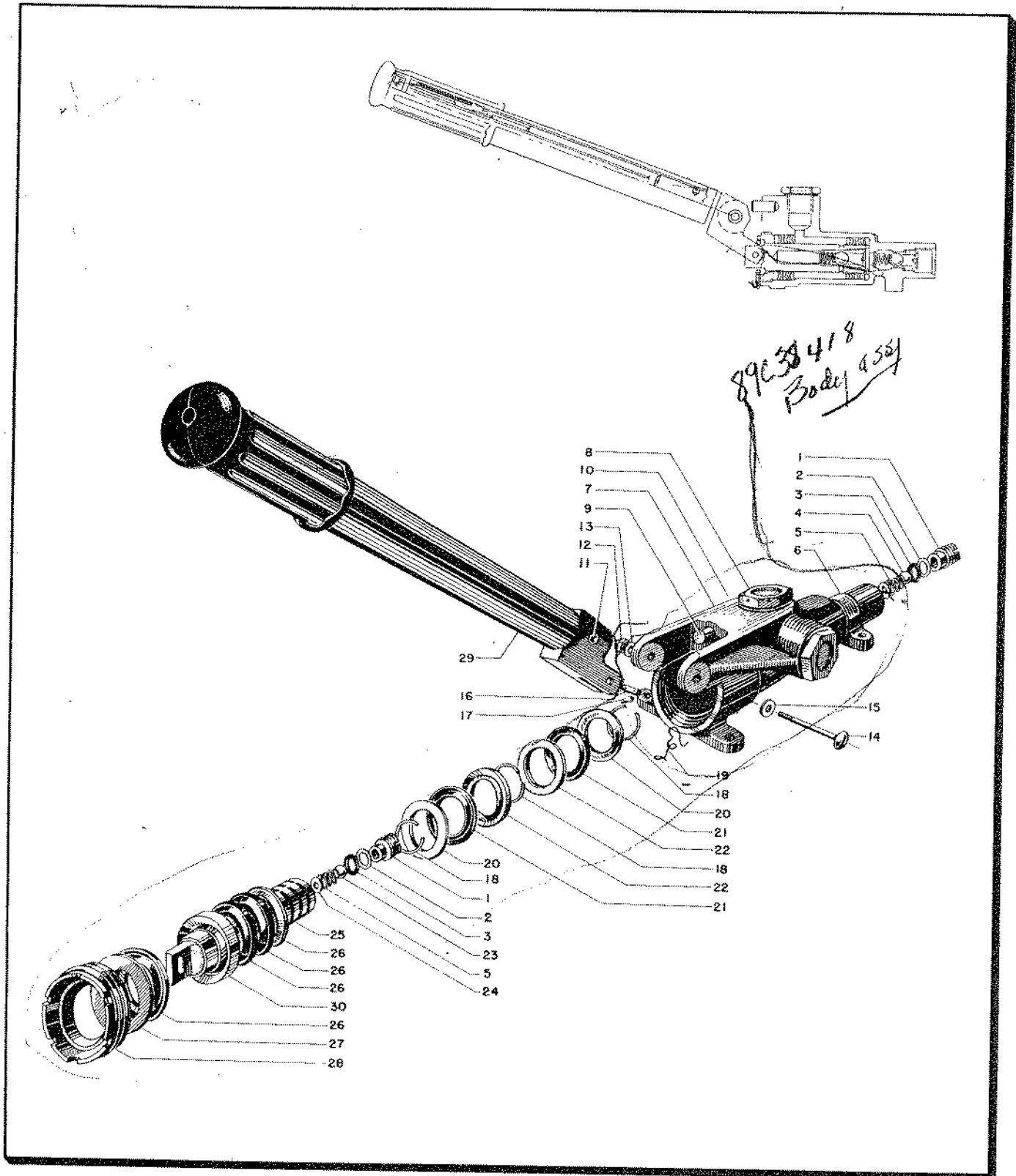
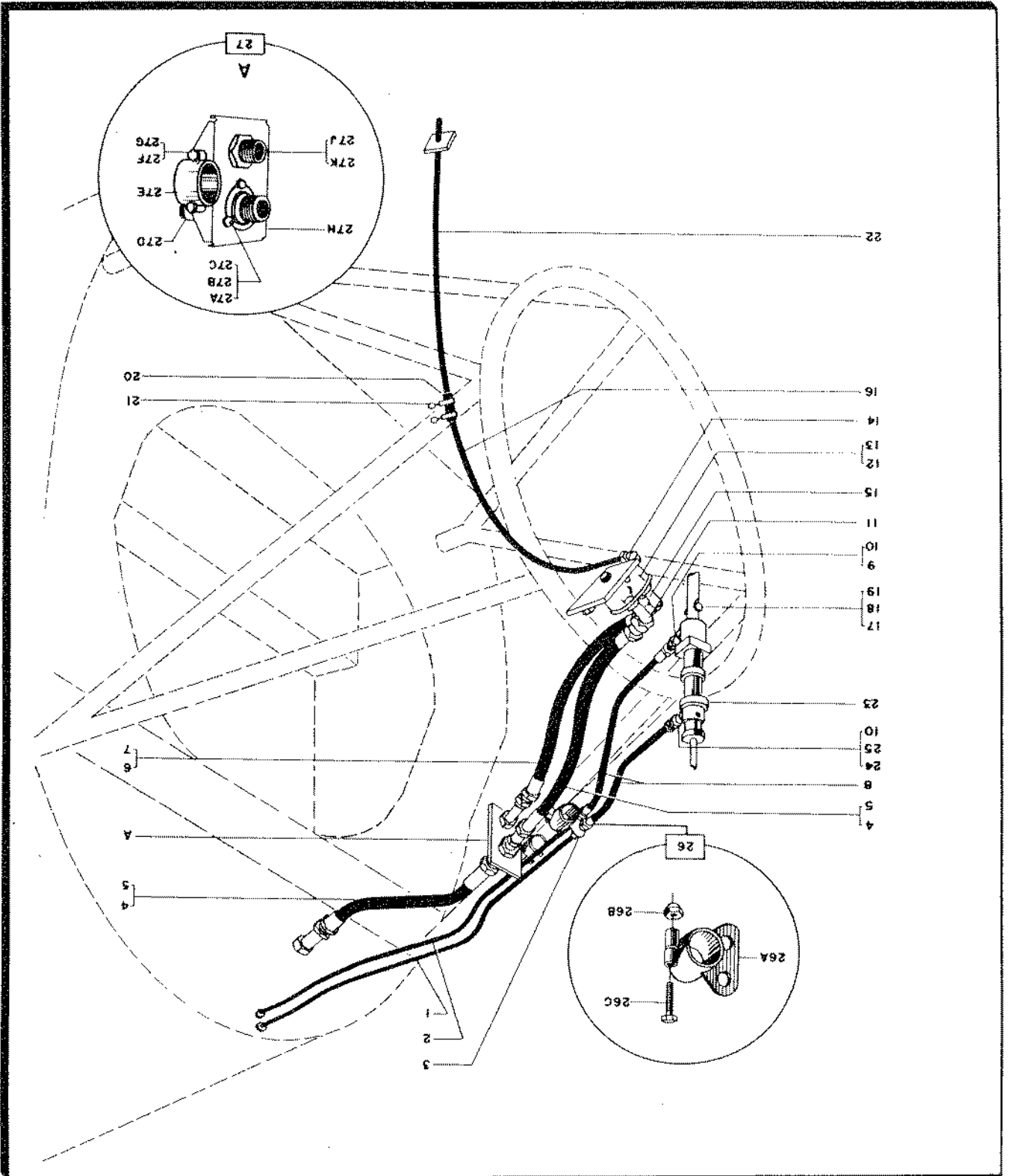


Figure 80—Hydraulic Hand Pump Assembly

RESTRICTED
AN 01-65BC-4
SECTION II—GROUP ASSEMBLY PARTS LISTS

FIG. NO.	INDEX NO.	S T O C K E D	GROUP						UNITS PER ASSY	PROPERTY CLASSIFICATION		
			HYDRAULIC SYSTEM							U.S. NAVY	U.S. ARMY	BRITISH
			MAJOR ASSEMBLY		HYDRAULIC HAND PUMP							
PART NUMBER		1	2	3	4	5	6	NOMENCLATURE				
			89F38410.									
80	1		89F38377						2			01-N
80	2		89F38377						2			01-N
80	3		89F38343						2			01-N
80	4		89F38378						2			01-N
80	5		89896610-12						2			01-N
80	6		89F38380						2			01-N
80	7		89896613-2						1			01-N
80	8		89F38376						1			01-N
80	9		AC41B25-8D						1			04-A
80	10		89F38390						1			01-N
80	11		AC40B887-024-C-100-16						1			04-A
80	12		89F38391						1			01-N
80	13		AN365-428						1			04-A
80	14		AN960-416						2			04-A
80	15		AN525-416-28						1			29
80	16		AN960-416						2			04-A
80	17		89F38382						1			01-N
80	18		89F38381						1			01-N
80	19		89F38384						3			01-N
80	20		AN995-41-5						1			04-A
80	21		89896209-12						2			01-N
80	22		AC40B629-6028						2			04-B
80	23		89F38383						2			01-N
80	24		89896610-12						2			01-N
80	25		89F38385						1			01-N
80	26		89F38379						1			01-N
80	27		AC-40B629-8-028						3			04-B
80	28		89896209-10						2			01-N
80	29		89F38388						1			01-N
80	30		89F38409						1			01-N
80	31		89F38387						1			01-N

Figure 81—Hydraulic System—(Engine Compartment)



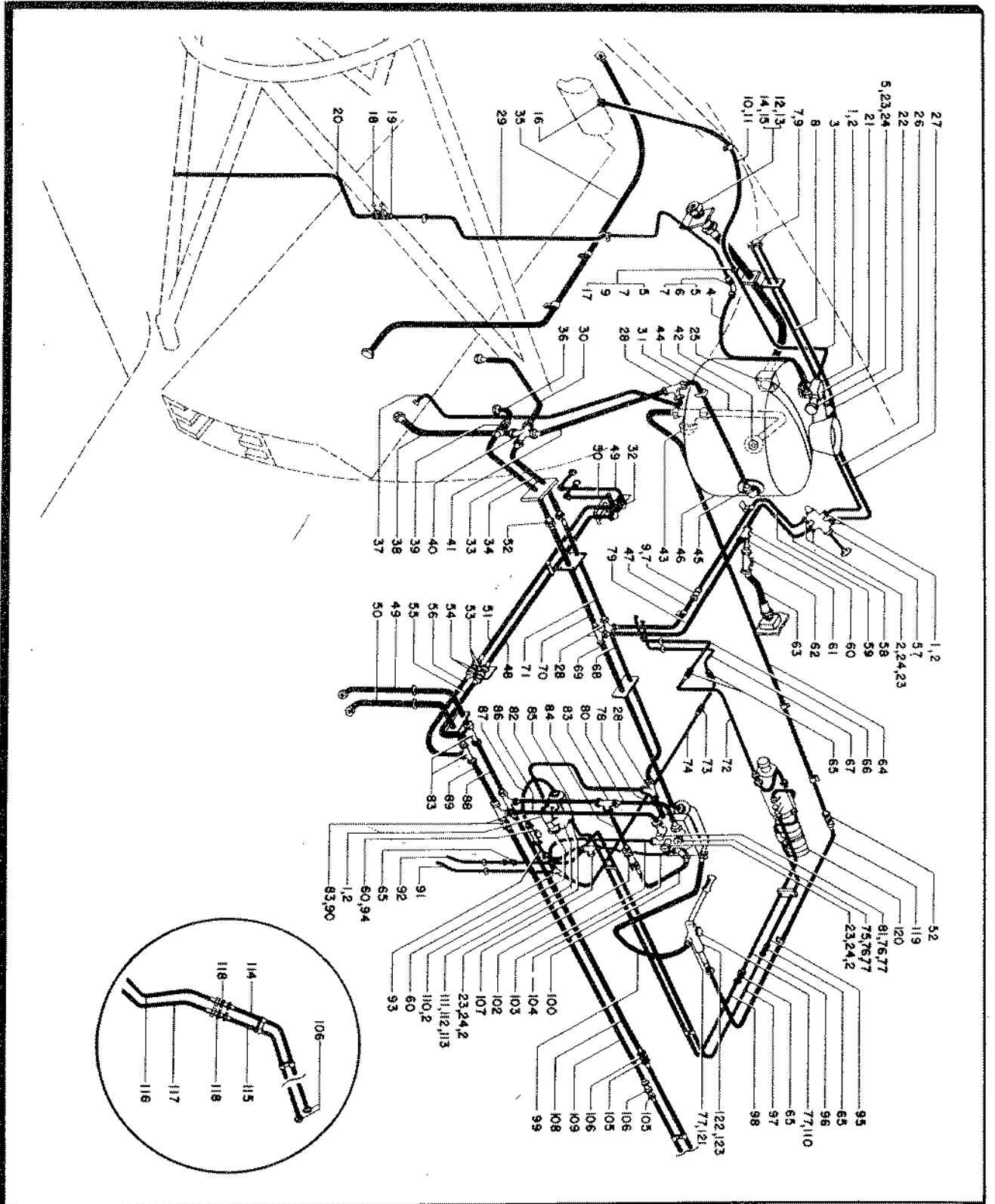


Figure 82—Hydraulic System—(Fuselage)

RESTRICTED
AN 01-65BC-4
SECTION II—GROUP ASSEMBLY PARTS LISTS

FIG. NO.	INDEX NO.	SYMBOL	GROUP						UNITS PER ASSY	PROPERTY CLASSIFICATION						
			HYDRAULIC SYSTEM							U.S. NAVY	U.S. ARMY	BRITISH				
			MAJOR ASSEMBLY INSTALLATION-HYDRAULIC SYSTEM FUSELAGE FWD.													
PART NUMBER	1	2	3	4	5	6	NOMENCLATURE									
82	58							89S96603-8				1			01-N	
82	59							89S96603-10				1			01-N	
82	60							811-JT-4D				2			04-A	
82	61							89S96603-12				1			01-N	
82	62							6010-HT-4D				1			04-A	
82	63							89S96600-4-14				1			01-N	
82	64							89S96605-18				1			01-N	
82	65							811-HT-4D				5			04-A	
82	66							89S96603-22				1			01-N	
82	67							89S96603-24				11/1R			01-N	
82	68							89S96605-16				1			01-N	
82	69							89S96605-13				1			01-N	
82	70							89S96605-44				1			01-N	
82	71							89S96605-46				1			01-N	
82	72							89S96603-35				1			01-N	
82	73							AN884-4-6				1			04-B	
82	74							89S96603-21				1			01-N	
82	75							40D-370-8D				1			04-A	
82	76							40D-374-8D				2			04-A	
82	77							40B887-024(100-16)				3			04-A	
82	78							89S96605-14				1			01-N	
82	79							89S96603-9				1			01-N	
82	80							89S96605-25				1			01-N	
82	81							40D-371-8D				1			04-A	
82	82							89S96603-67				1			01-N	
82	83							811-JT-8D				5			04-A	
82	84							89S96605-26				1			01-N	
82	85							89S96605-22				1			01-N	
82	86							89S96605-28				1			01-N	
82	87							89S96603-42				1			01-N	
82	88							89S96605-23				1			01-N	
82	89							89S96605-29				1			01-N	
82	90							89S96623-1				2			01-N	
								Coupling-Reducer (Parker Appliance Corp.)								
82	91							89S96603-18				1			01-N	
82	92							89S96603-29				1			01-N	
82	93							89S96603-15				1			01-N	
82	94							89S96626-4				1			01-N	
82	95							89S96603-20				1			01-N	
82	96							89S96603-19				1			01-N	
82	97							89S96603-23				1			01-N	
82	98							89S96603-26				1			01-N	
82	99							89S96605-38				1			01-N	
82	100							89S96605-27				1			01-N	
82	102							475-HT-8D				1			03-I	
82	103							89S96603-17				1			01-N	
82	104							89S96603-16				1			01-N	
82	105							3115-1HT-6D				2			04-A	
82	106							39B1024-6				2			04-A	
82	106							OR								
82	106							39B1024-6D				2			04-A	
82	107							5365-HT-4D				1			03-I	
82	108							89S96604-14				1			01-N	
82	109							89S96604-11				1			01-N	
82	110							41B25-4D				1			04-A	
82	111							B10287-7				1			03-I	
82	112							S-9746-6-3/4				4			01-N	
82	113							AN520-10-16				4			29	
82	114							89S96604-13				1			01-N	
82	115							89S96604-16				1			01-N	
82	116							89S96604-12				1			01-N	
82	117							89S96604-15				1			01-N	

RESTRICTED
AN 01-65BC-4
SECTION II—GROUP ASSEMBLY PARTS LISTS

FIG. NO.	INDEX NO.	STOCKED	GROUP HYDRAULIC SYSTEM						UNITS PER ASSY	PROPERTY CLASSIFICATION		
			MAJOR ASSEMBLY INSTALLATION—HYDRAULIC SYSTEM FUSELAGE FWD.							U.S. NAVY	U.S. ARMY	BRITISH
			PART NUMBER	1	2	3	4	5				
82	118								2		04-A	
82	119								2		01-N	
82	120								1		01-N	
82	121								2		04-A	
82	122								1		01-N	
82	123								4		0-4A	

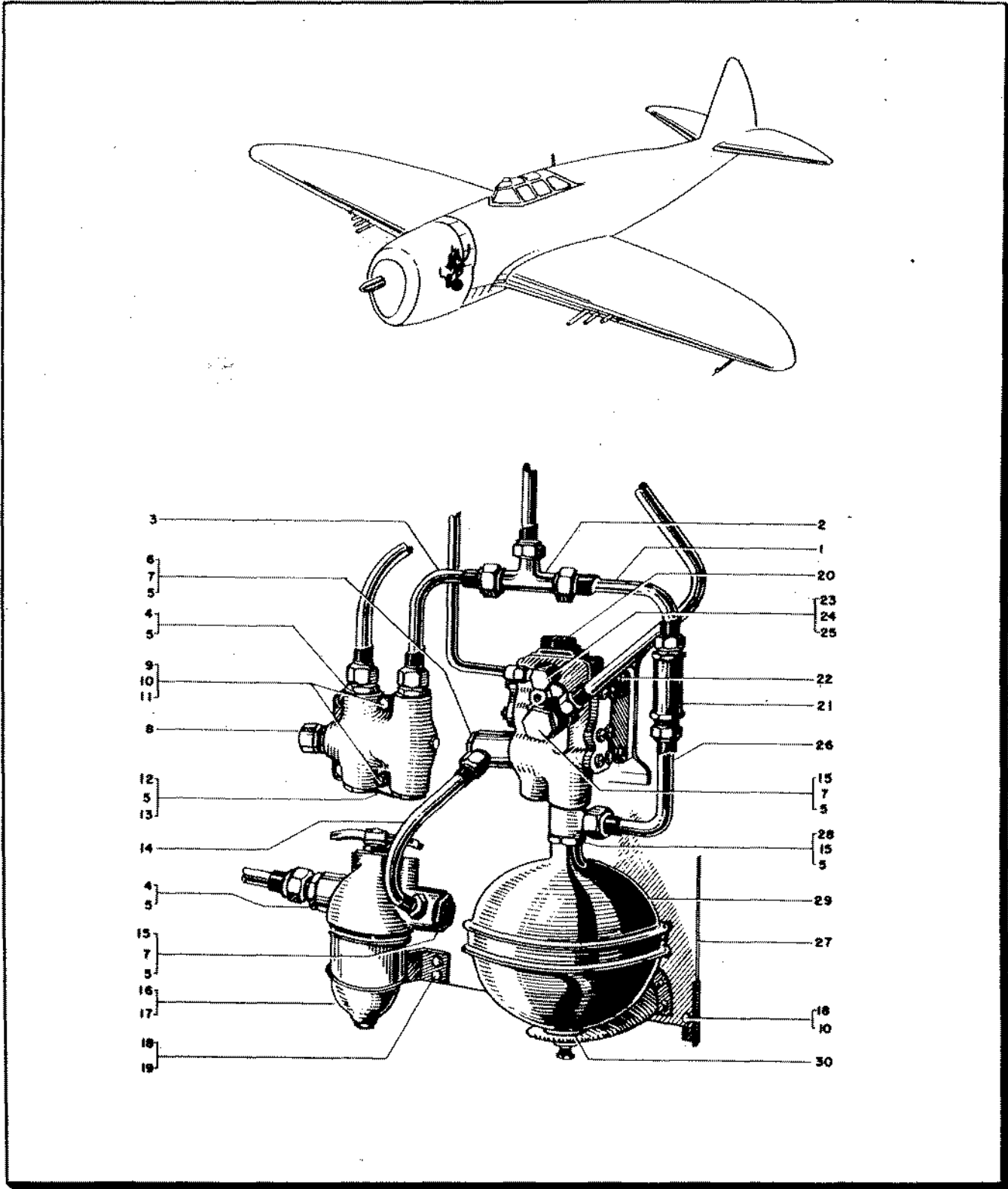


Figure 83—Hydraulic Units

RESTRICTED
AN 01-65BC-4
SECTION II—GROUP ASSEMBLY PARTS LISTS

FIG. NO.	INDEX NO.	STOCKED	GROUP HYDRAULIC SYSTEM						UNITS PER ASSY	PROPERTY CLASSIFICATION											
			MAJOR ASSEMBLY		INSTALLATION - HYDRAULIC UNITS					U.S. NAVY	U.S. ARMY	BRITISH									
			PART NUMBER	1	2	3	4	5					6	NOMENCLATURE							
			89F38458														Installation - Hydraulic Units			01-N	
83	1		89S96605-53														Tube Assembly	1		01-N	
83	2		AN811-JT-8D														Tee	1		04-A	
83	3		89S96605-52														Tube Assembly	1		01-N	
83	4		40D373-8D														Union	3		04-A	
83	5		40B887-024-C-100-16														Gasket	14		04-A	
83	6		40D371-8D														Swivel 15°	1		04-A	
83	7		40B374-8D														Bolt	3		04-A	
83	8		B10291-2														Relief Valve (Adel)	2		03-I	
83	9		AN3-12A														Bolt	4		04-A	
83	10		AN960-10L														Washer	8		04-A	
83	11		S-9720-3-9/16														Spacer	4		01-N	
83	12		41B25-8D														Plug	2		04-A	
83	13		AN995-32-10														Lockwire	1		04-A	
83	14		89S96605-54														Tube Assembly	1		01-N	
83	15		40D370-8D														Swivel 90°	3		04-A	
83	16		26947														Filter-Model G159-J12 (Purolator)	1		03-I	
83	17		25661														Filter-Model G159-J3 (Purolator)	1		03-I	
83	18		AN3-4A														Bolt	8		04-A	
83	19		AN365-1032														Nut	4		04-A	
83	20		E-64024														Unloading Valve - Model AA-14518 (Vickers)	1		03-I	
83	21		475-HT-8D														Check Valve (Parker Appliance Co)	1		03-I	
83	22		AN502-10-10														Screw	3		04-A	
83	23		40D370-4D														Swivel 90°	1		04-A	
83	24		40B374-4D														Bolt	1		04-A	
83	25		40B887-014-C-022-16														Gasket	2		04-A	
83	26		89S96605-51														Tube Assembly	1		01-N	
83	27		89F38458-1														Riveted Assembly	1		01-N	
83	28		89S96611-8D														Bolt - Swivel	1		01-N	
83	29		D-59356														Accumulator-Model AA-140024 (Vickers)	1			
83	30		89F38257														Grommet-Hyd. Accumulator Support	1			

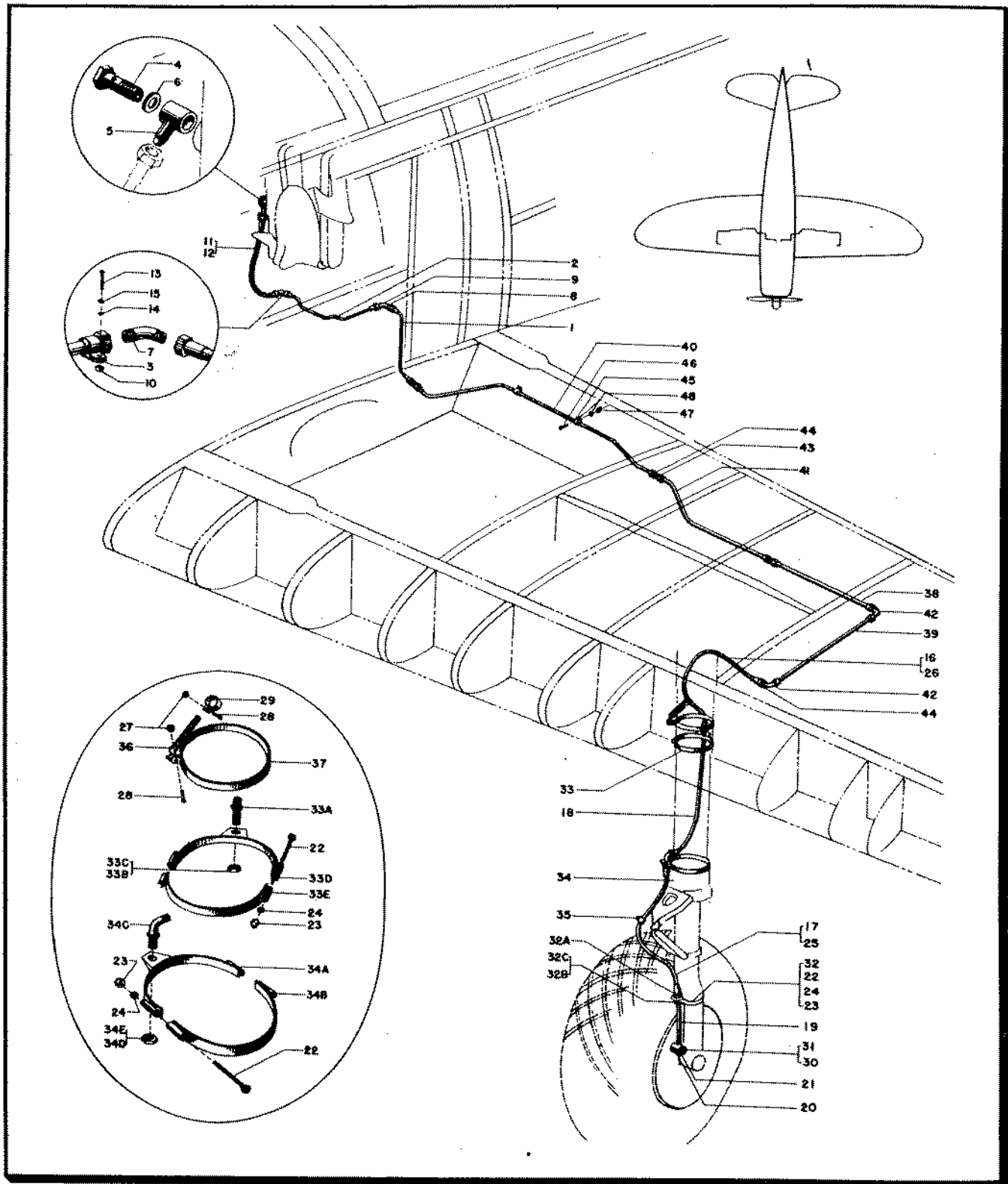


Figure 84—Brake Control

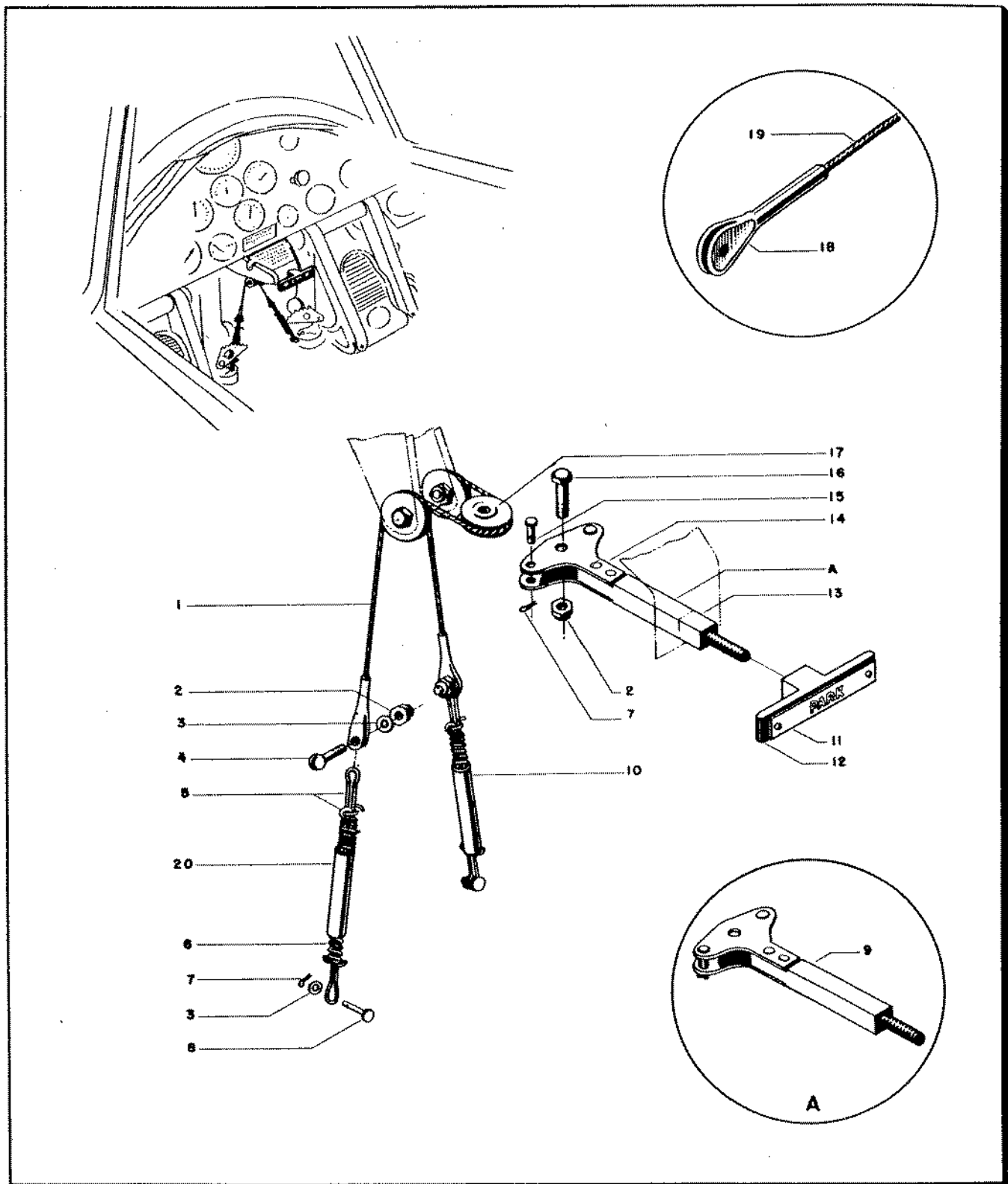


Figure 85—Parking Brake Control

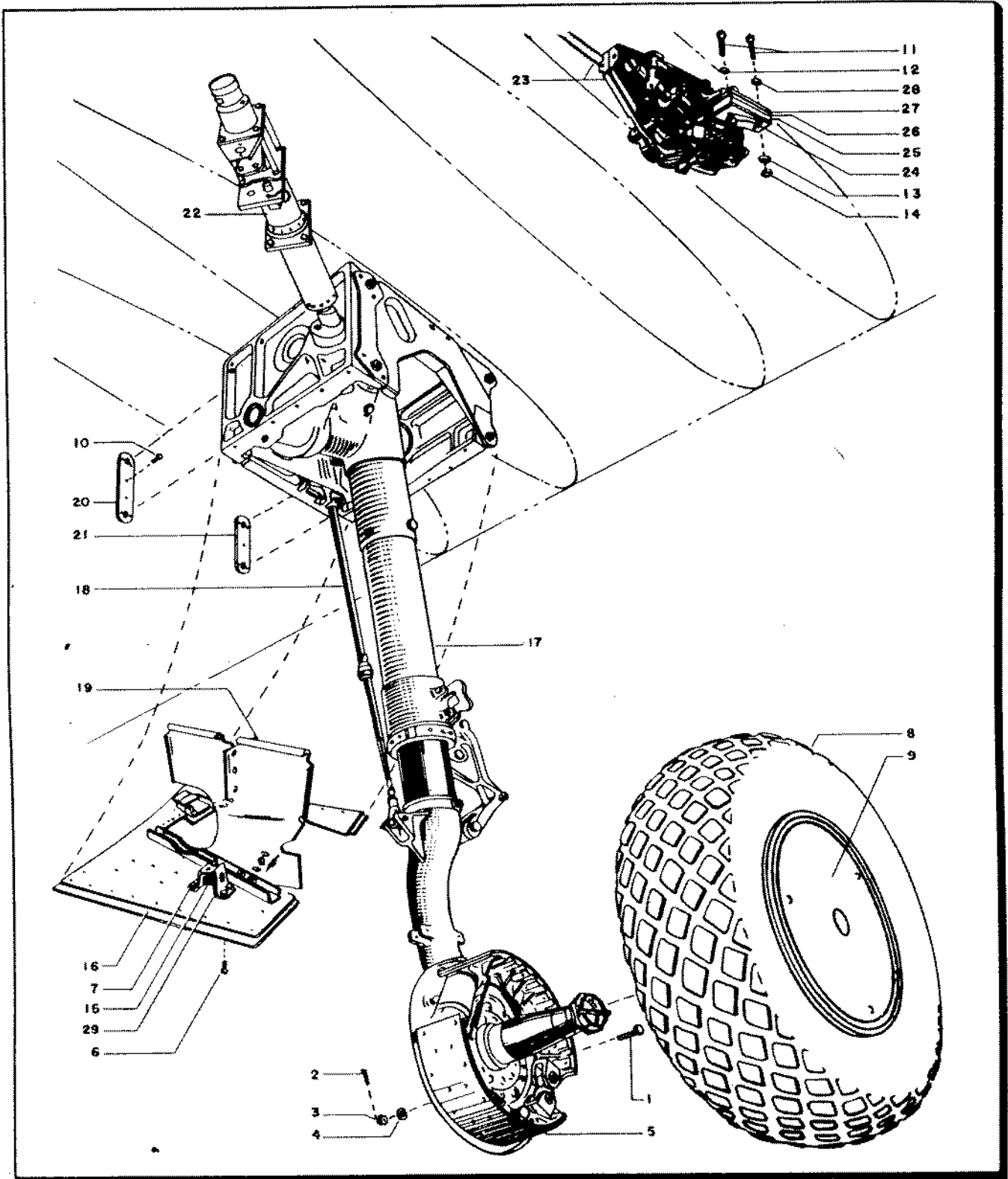


Figure 86—Landing Gear

RESTRICTED
AN 01-65BC-4
SECTION II—GROUP ASSEMBLY PARTS LISTS

FIG. NO.	INDEX NO.	S T O C K E D	GROUP						UNITS PER ASSY	PROPERTY CLASSIFICATION				
			LANDING GEAR							U.S. NAVY	U.S. ARMY	BRITISH		
			MAJOR ASSEMBLY	INSTALLATION - LANDING GEAR										
PART NUMBER	1	2	3	4	5	6	NOMENCLATURE							
2	48		89X41000	Installation - Landing Gear						1L/1R		01-N		
86	1		AN6-10		Bolt				12		04-A			
86	2		AN380-3-3		Cotter Pin				12		29			
86	3		AN310-6		Nut				12		04-A			
86	4		AN960-616		Washer				18		04-A			
86	5		57495		Brake				1		03-B			
86	6		S-52-8-3		Screw				4		01-N			
86	7		365-832		Nut				4		04-A			
86	8		S41J250		Tubes - Inner				1		04-B			
86	9		57405		Wheel Aircraft Log (Bendix) (G.F.E.)						1		03-B	
86	10		531-6-6		Sheet Metal Screw				11		29			
86	11		AN3-16A		Bolt				2		04-A			
86	12		AN960-10		Washer				1		04-A			
86	13		AN960-10L		Washer				2		04-A			
86	14		365-1032		Nut				2		04-A			
86	15		MICRO M-2		Actuator Bracket				1		03-C			
86	16		89L43120		Bottom Plate				1L		01-N			
86	17		89L41001		Bearing Box and Strut				1L		01-N			
86	18		89L41116		Shrinkage Strut				1		01-N			
86	19		89L41004		Installation - Dust Cover				1L		01-N			
86	20		89L41149		Shim				1		01-N			
86	21		89L41155		Shim				1		01-N			
86	22		89L41123		Downlock				1L		01-N			
86	23		89L41160		Uplock				1L		01-N			
86	24		89L41251		Bumper				1L		01-N			
86	25		89L41101		Cushion				1		01-N			
86	26		89L41102		Shims				As. Req.		01-N			
86	27		89L41228		Pad				1		01-N			
86	28		89L41103		Washer				1		01-N			
86	29		89C82226		Bracket - Downlock Arm				1		01-N			

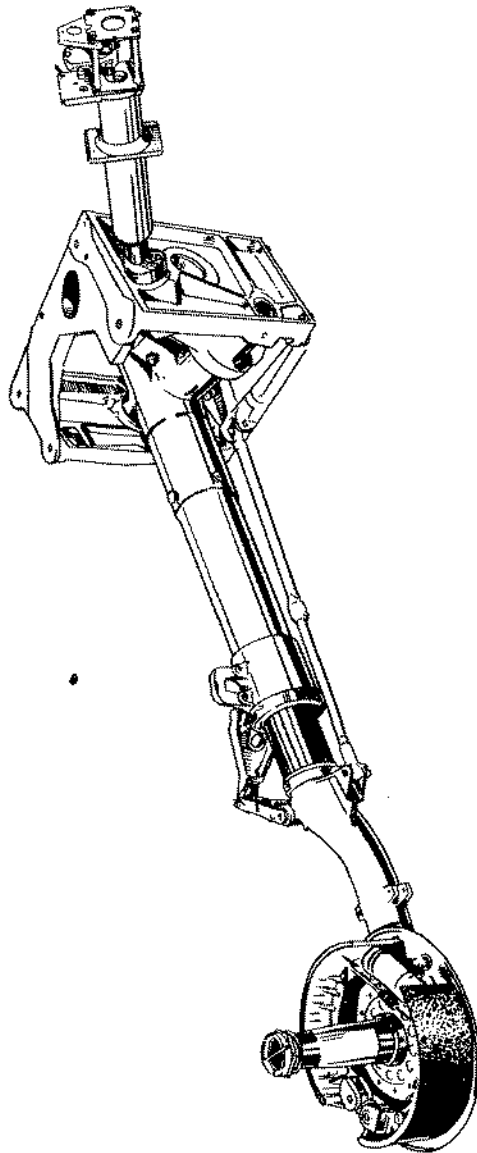


Figure 86A—Landing Gear Complete

RESTRICTED
AN 01-65BC-4
SECTION II—GROUP ASSEMBLY PARTS LISTS

FIG. NO.	INDEX NO.	SYMBOL	GROUP						UNITS PER ASSY	PROPERTY CLASSIFICATION		
			MAJOR ASSEMBLY		LANDING GEAR					U.S. NAVY	U.S. ARMY	BRITISH
			PART NUMBER	1	2	3	4	5				
86A			89L41500								01-N	
84												
86												
NOTE: THIS ASSEMBLY IS FOR SPARES PROCUREMENT ONLY.												

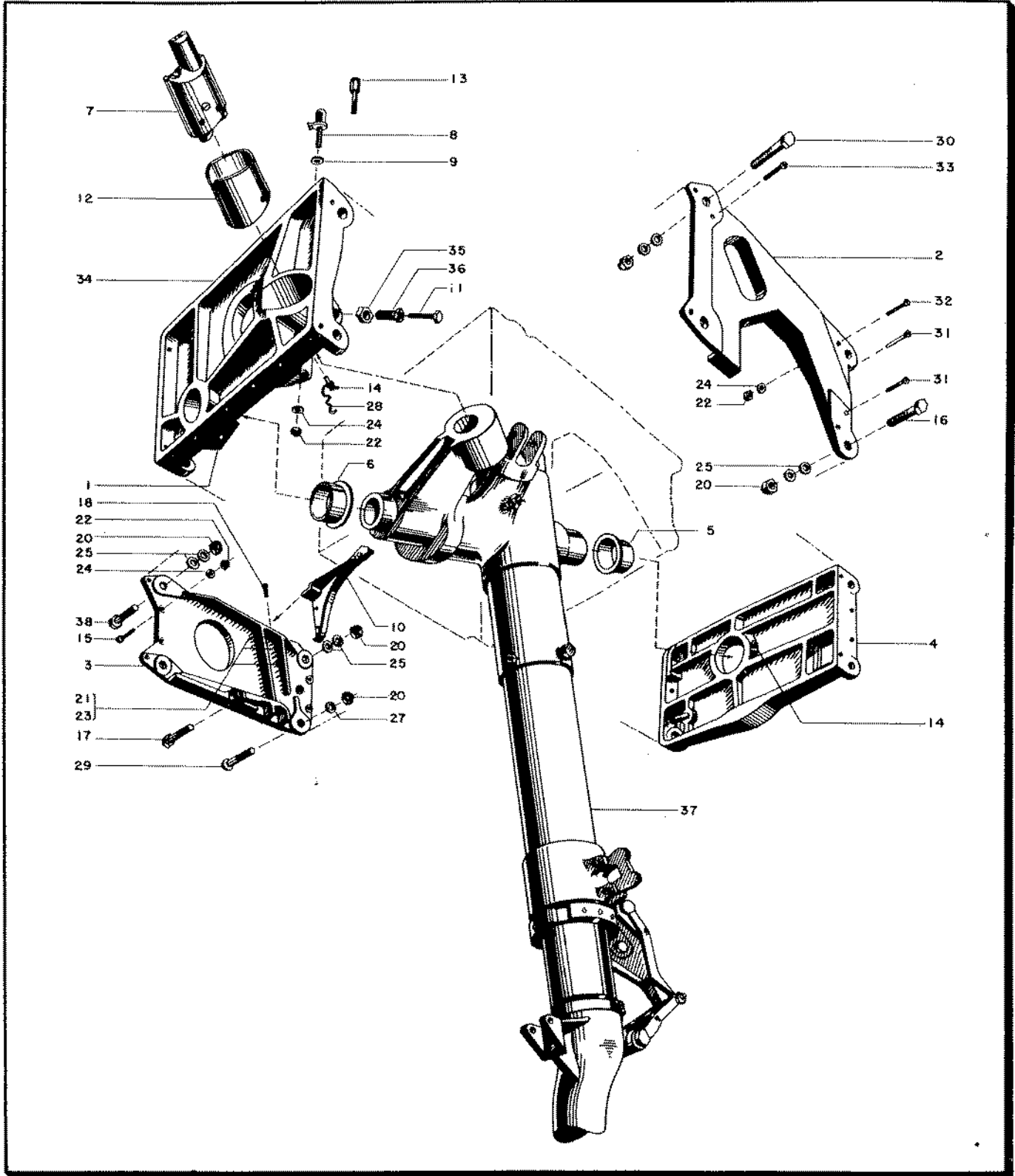


Figure 87—Bearing Box Assembly

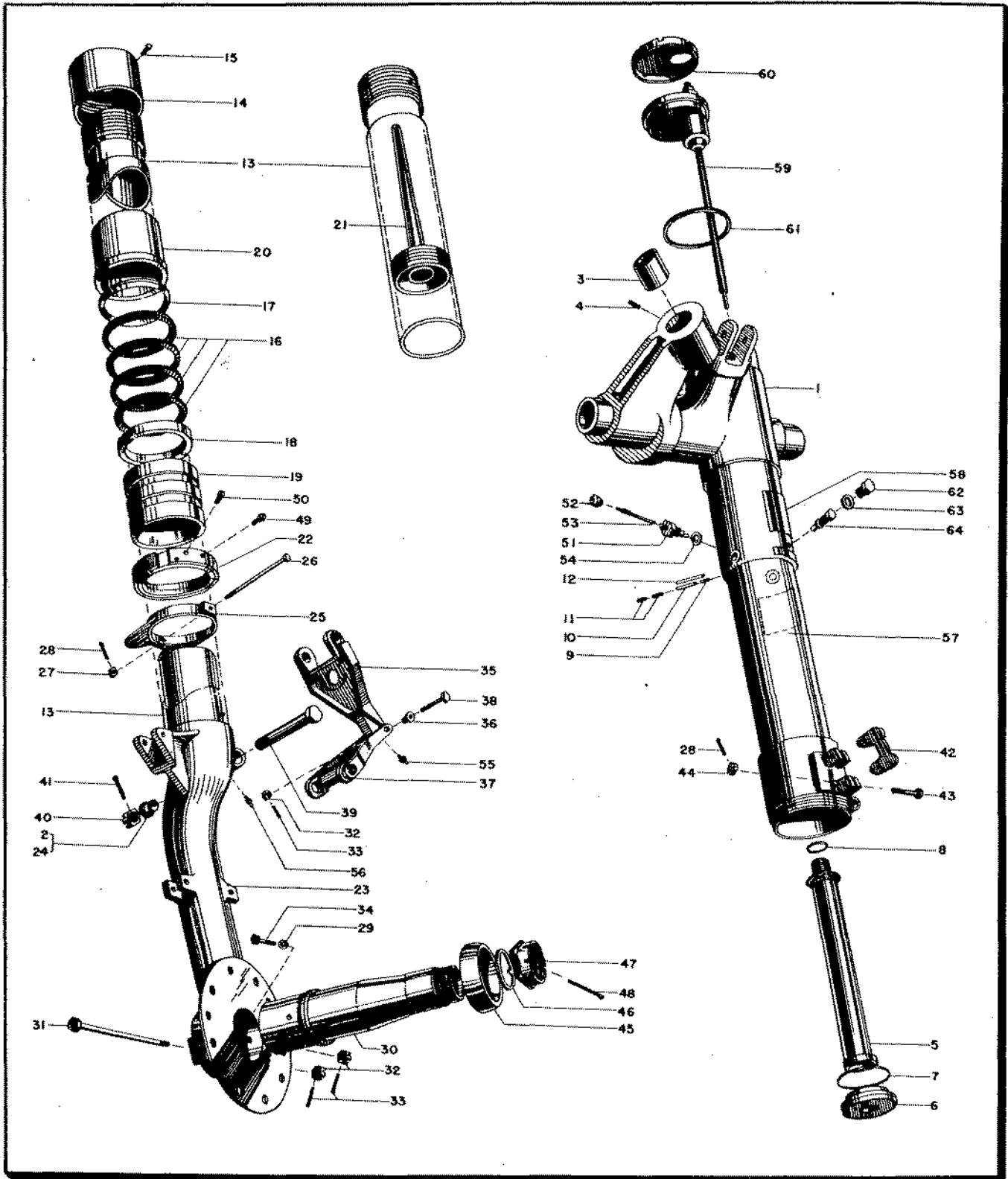


Figure 88—Aerol Shock Strut

RESTRICTED
AN 01-6580-4
SECTION II—GROUP ASSEMBLY PARTS LISTS

FIG. NO.	INDEX NO.	STOCKED	GROUP		LANDING GEAR						UNITS PER ASSY.	PROPERTY CLASSIFICATION		
			MAJOR ASSEMBLY		STRUT							U.S. NAVY	U.S. ARMY	BRITISH
			PART NUMBER	1	2	3	4	5	6	NOMENCLATURE				
87	37		8123A											
87	37		501000											
88	1		8123A-2A											
88	1		501001											
88	2		8123-56											
88	2		501072											
88	3		8123-37											
88	3		501036											
88	4		1/4 - 20 x 5/8											
88	4		AN56504H10											
88	5		8123-126											
88	5		501031											
88	6		8123-27											
88	6		501028											
88	7		8092-270											
88	7		501030											
88	8		8123-93											
88	8		501035											
88	9		8123-74											
88	9		501044											
88	10		8123-75											
88	11		516-18-3/8											
88	12		50134											
Ref.			8123-104											
Ref.			501040											
88	13		8123A-4											
88	14		8123A-3											
88	15		8123-8											
88	15		AC895B100											
88	16		400487-7A											
88	16		AN6225-49											
88	17		400487-7-1											
88	18		400487-7-2											
88	19		8123-9											
88	19		500206											

THE PART NUMBER APPEARING AFTER "REF." IN THE "FIG. NO." COLUMN IS USED FOR BREAK-DOWN PURPOSES ONLY, AND IS NOT TO BE ORDERED AS A PART.

RESTRICTED
AN 01-65BC-4
SECTION II—GROUP ASSEMBLY PARTS LISTS

FIG. NO.	INDEX NO.	GROUP	LANDING GEAR						UNITS PER ASSY	PROPERTY CLASSIFICATION		
			MAJOR ASSEMBLY		STRUT					U.S. NAVY	U.S. ARMY	BRITISH
			PART NUMBER	1	2	3	4	5				
88	20	8123-10							1		03-G	
88	21	8123-13							1		03-G	
88	21	501054							1		03-G	
88	22	8092-48							1		03-G	
88	23	8123-60							1		03-G	
88	23	501040							1		03-G	
88	24	8123-56							2		03-G	
88	24	501072							2		03-G	
88	25	8123-62							1		03-G	
88	26	8123-63							1		03-G	
88	27	AN320-4							1		04-A	
88	27	AN320-4							1		04-A	
88	28	AN380-2-2							1		29	
88	28	AN380-2-2							1		29	
88	29	8123-64							1		03-G	
88	30	8092-85							1		03-G	
88	31	AN6-73							1		04-A	
88	31	AN6-73							1		04-A	
88	32	AN310-6							3		04-A	
88	32	AN310-6							1		04-A	
88	33	AN380-3-3							3		29	
88	33	AN380-3-3							3		29	
88	34	AN6-17							2		04-A	
88	34	AN6-17							2		04-A	
88	35	8123-46							1		03-G	
88	35	501153							1		03-G	
88	36	8123-53							2		03-G	
88	36	501151							2		03-G	
88	37	8123-47							1		03-G	
88	37	501149							1		03-G	
88	38	AN6-21							1		04-A	
88	38	AN6-20							1		04-A	
88	39	8123-41							2		03-G	
88	39	501156							2		03-G	
88	40	AN320-10							2		04-A	
88	40	AN320-10							2		04-A	
88	41	AN380-4-4							2		29	
88	41	AN380-4-4							2		29	
88	42	8123-66							1		03-G	
88	42	501154							1		03-G	

RESTRICTED
AN 01-65BC-4
SECTION II—GROUP ASSEMBLY PARTS LISTS

FIG. NO.	INDEX NO.	SYMBOL	GROUP		LANDING GEAR						UNITS PER ASSY	PROPERTY CLASSIFICATION		
			MAJOR ASSEMBLY		STRUT							U.S. NAVY	U.S. ARMY	BRITISH
			PART NUMBER		1	2	3	4	5	6				
88	43		AN5-17								2		04-A	
88	43		AN5-17								2		04-A	
88	44		AN310-5								2		04-A	
88	44		AN310-5								2		04-A	
88	45		34A15-4								1		03-G	
88	45		501057								1		03-G	
88	46		AN7593-3								1		03-G	
88	46		AN7503-3								1		03-G	
88	47		AN7502-3								1		03-G	
88	47		AN7502-3								1		03-G	
88	48		AN380-6-12								1		29	
88	48		AN380-6-12								1		29	
88	49		501-A416-5								1		29	
88	50		501-A416-3								1		29	
88	51		AN812-1								2		29	
88	51		AN812-1								2		29	
88	52		AN813-1								2		29	
88	52		AN813-1								2		29	
88	53		AN809-1								2		29	
88	53		AN809-1								2		29	
88	54		AN901-5								2		29	
88	54		AN901-5								2		29	
88	55		1703								1		29	
88	55		500205								1		29	
88	56		AN286-1								2		29	
88	56		AN286-1								2		29	
88	57		EQ-726								1		03-G	
88	57		501090								2		03-G	
88	58		EQ-758								1		03-G	
88	58		501090								1		03-G	
88	59		8192								1		03-G	
88	60		8192-48								1L-1R		03-G	
88	61		8192-75								1L-1R		03-G	
88	62		8192-83								1		03-G	
88	62		501133								1		03-G	
88	63		8192-91								1		03-G	
88	63		501134								1		03-G	
88	64		1780								1		29	
88	64		501134								1		03-G	

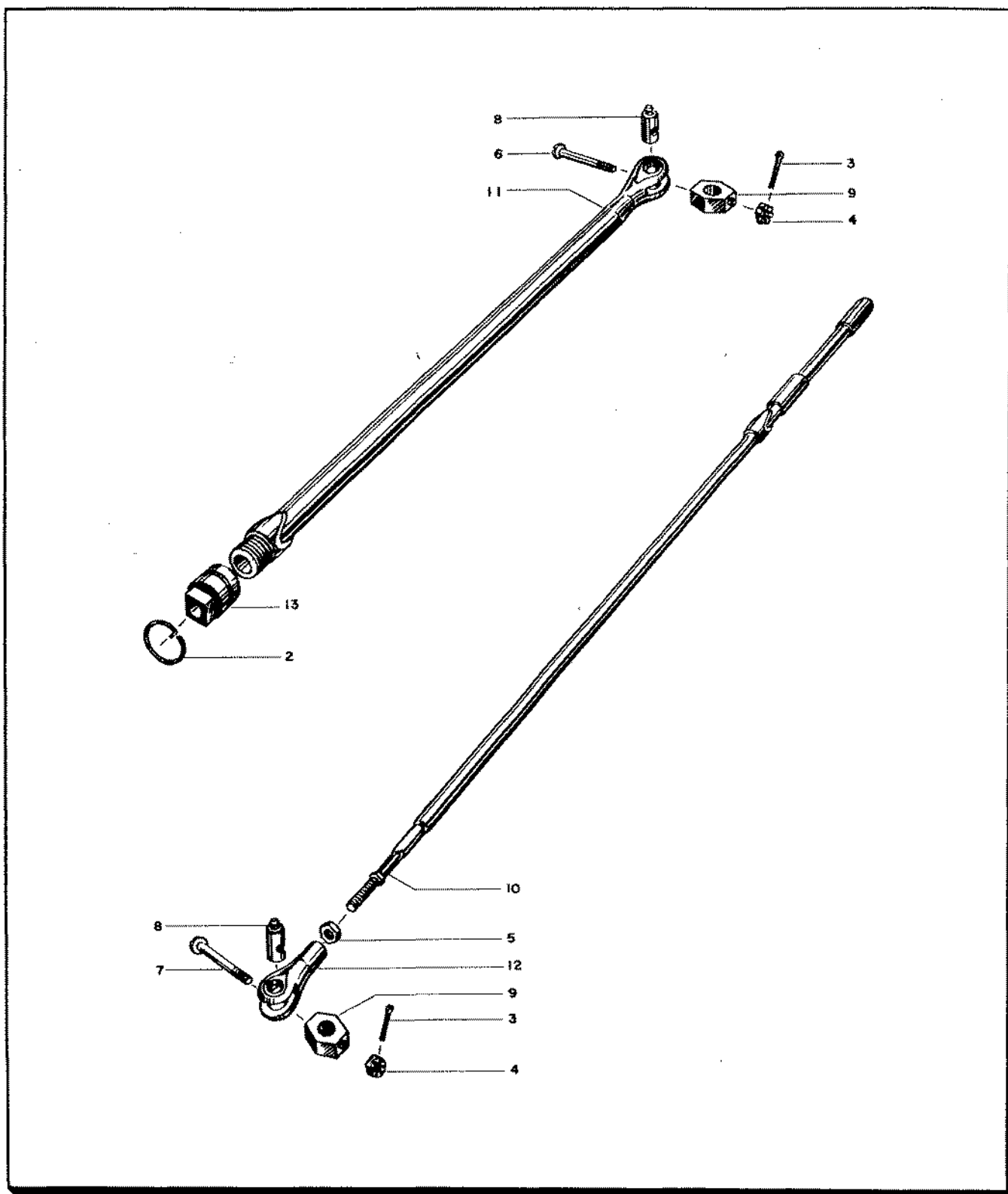


Figure 89—Shrinkage Strut

RESTRICTED
AN 01-65BC-4
SECTION II—GROUP ASSEMBLY PARTS LISTS

FIG. NO.	INDEX NO.	S T O C K E P	GROUP LANDING GEAR						UNITS PER ASSY	PROPERTY CLASSIFICATION			
			MAJOR ASSEMBLY		SHRINKAGE STRUT					NOMENCLATURE	U.S. NAVY	U.S. ARMY	BRITISH
			PART NUMBER	1	2	3	4	5					
86	18		89LA1116						Shrinkage Strut	1		01-N	
89	13		89LA1105						Fitting Shrinkage Strut Landing Gear	1		01-N	
89	12		89LA1107						Fork Landing Gear Shrinkage Strut - Lower	1		01-N	
89	11		89LA1114						Cylinder Assembly Landing Gear Shrinkage Strut	1		01-N	
89	10		89LA1115						Piston Assembly - Shrinkage Strut Landing Gear	1		01-N	
89	9		89LA1117						Block Universal - Shrinkage Strut Landing Gear	2		01-N	
89	8		89LA1118						Shaft - Landing Gear Shrinkage Strut	2		01-N	
89	7		AN26-34						Bolt	1		04-A	
89	6		AN26-38						Bolt	1		04-A	
89	4		AN320-6						Nut	2		29	
89	3		AN380-3-3						Cotter Pin	2		29	
89	5		AN316-8R						Lock Nut	1		04-A	
89	2		AN996-20						Lock Ring	1		04-A	

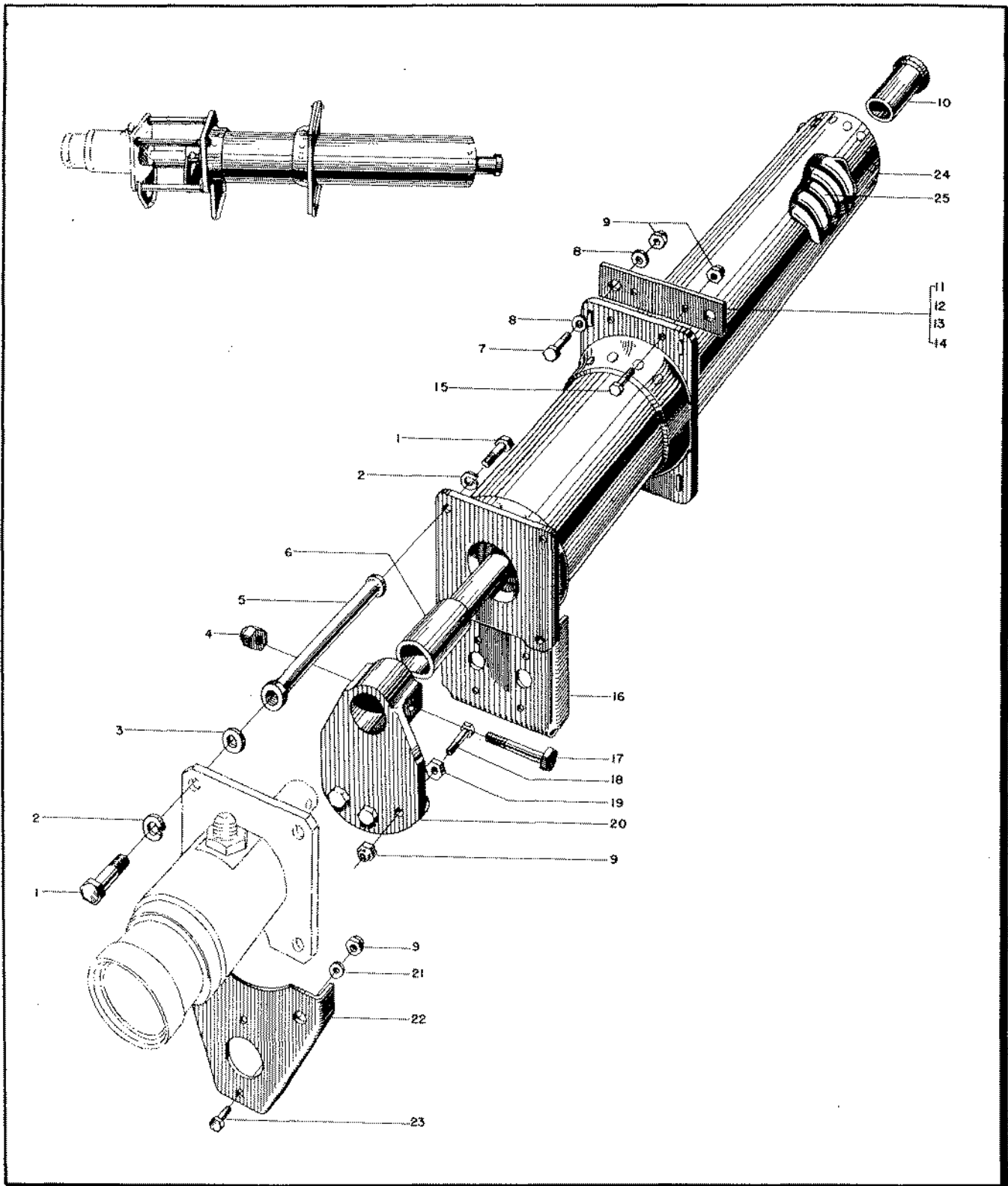


Figure 90—Landing Gear Downlock Operating Mechanism

RESTRICTED
AN 01-65BC-4
SECTION II—GROUP ASSEMBLY PARTS LISTS

FIG. NO.	INDEX NO.	STOCKED	GROUP		LANDING GEAR						UNITS PER ASSY	PROPERTY CLASSIFICATION			
			MAJOR ASSEMBLY		LANDING GEAR DOWNLOCK							U.S. NAVY	U.S. ARMY	BRITISH	
			PART NUMBER		1	2	3	4	5	6					NOMENCLATURE
86	22		89L41123									1L-1R		01-N	
90	1		S-9081-5-10										8		01-N
90	2		AN935-516										8		29
90	3		AN960-D516										2		04-A
90	4		365-428										1		04-A
90	5		89L41211										4		01-N
90	6		89L41151										1		01-N
90	7		AN3-7A										4		04-A
90	8		940-316										8		29
90	9		365-1032										2		04-A
90	10		89L41150										1		01-N
90	11		89L41248-1										As Req.		01-N
90	12		89L41248-2										As Req.		01-N
90	13		89L41248-3										As Req.		01-N
90	14		89L41248-4										As Req.		01-N
90	15		AN3-6A										3		04-A
90	16		89L41214										1		01-N
90	17		AN4-14A										1		0-4A
90	18		S-9081-3-11										2		01-N
90	18		AN3-6A										2		04-A
90	19		AN315-3R										2		04-A
90	20		89L41227										1		01-N
90	20		89L41217										1		01-N
90	21		AN960-10L										4		04-A
90	22		89L41213										1		01-N
90	23		AN3-5A										2		04-A
90	24		89L41203										1		01-N
90	25		89L41209										1		01-N

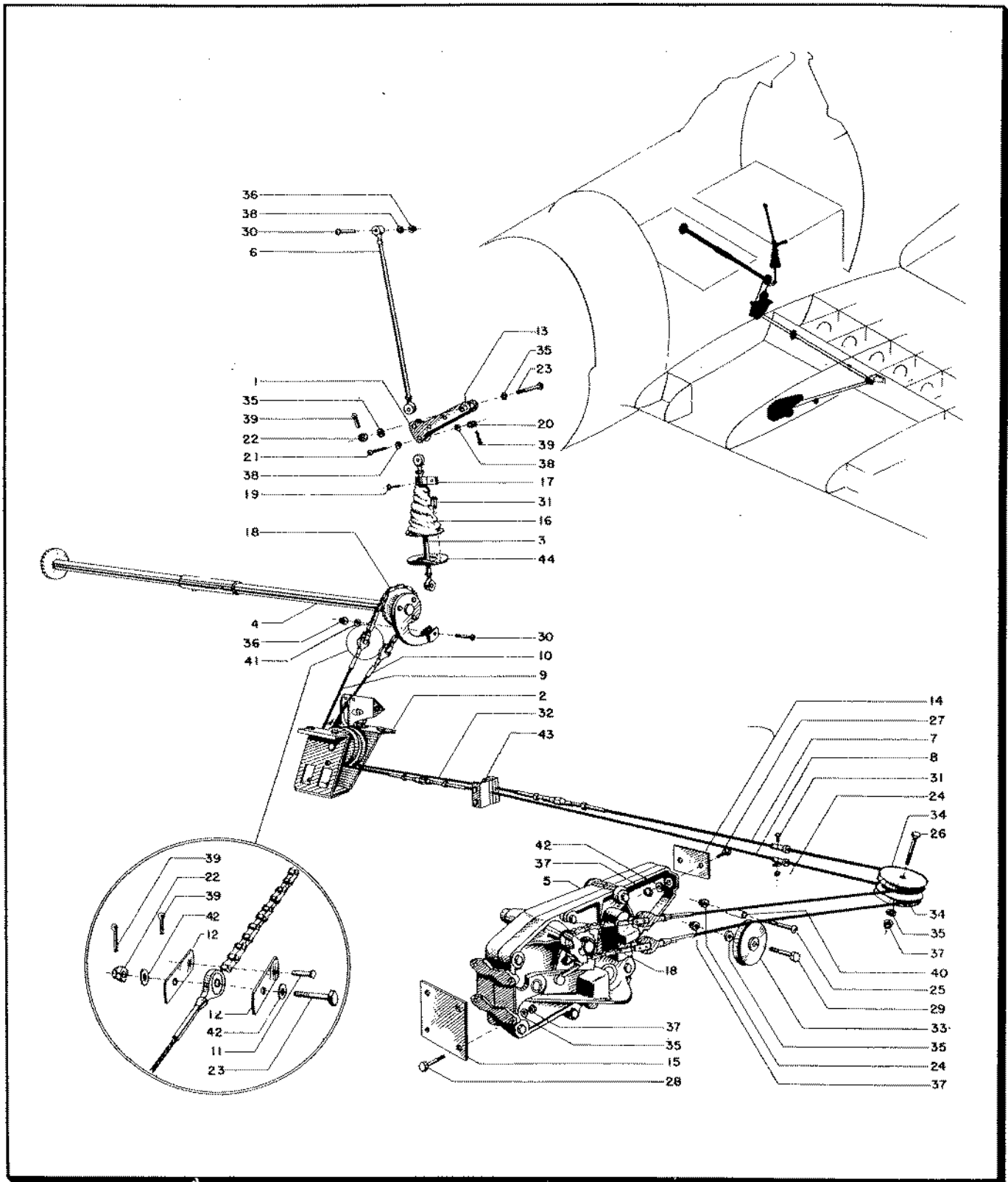


Figure 91—Landing Gear Uplock

RESTRICTED
AN 01-65BC-4
SECTION II—GROUP ASSEMBLY PARTS LISTS

FIG. NO.	INDEX NO.	S T O C K E D	GROUP LANDING GEAR						UNITS PER ASSY	PROPERTY CLASSIFICATION		
			MAJOR ASSEMBLY		LANDING GEAR UPLOCK					U.S. NAVY	U.S. ARMY	BRITISH
			PART NUMBER	1	2	3	4	5				
86	23		89L41160						1		01-N	
91	1		89L41220						1		01-N	
91	2		89L41222						1L-1R		01-N	
91	3		89L41226-1						1		01-N	
91	4		89L41161						1		01-N	
91	5		89L41164						1L-1R		01-N	
91	6		89L41226-2						1		01-N	
91	7		89L41200-1						2		01-N	
91	8		89L41200-2						2		01-N	
91	9		89L41200-3						2		01-N	
91	10		89L41200-4						2		01-N	
91	11		89L41180						8		01-N	
91	12		89L41198						16		01-N	
91	13		89L41160-1						1		01-N	
91	14		89L41201						4		01-N	
91	15		89L41202						4		01-N	
91	16		89L41234						1		01-N	
91	17		2982-6						1		04-A	
91	18		RC-35									
91	19		AN530-8-8						2		29	
91	20		AN320-3						1		29	
91	21		AN23-15						2		04-A	
91	22		AN320-4						1		04-A	
91	23		AN24-23						1		04-A	
91	24		AN365-832						6		04-A	
91	25		AN515-8-20						2		29	
91	26		AN4-21A						2		04-A	
91	27		AN4-7A						4		04-A	
91	28		AN4-11A						8		04-A	
91	29		AN4-13A						2		04-A	
91	30		AN23-20A						1		04-A	
91	31		AN515-8-8						5		29	
91	32		AN155-328						4		04-A	
91	33		AN210-3A						2		04-A	
91	34		AN210-4A						4		04-A	
91	35		AN960-416						2		04-A	
91	36		AN364-1032						2		04-A	
91	37		AN365-428						16		04-A	
91	38		AN960-10						1		04-A	
91	39		AN380-2-2						19		29	
91	40		89L41160-2						2		01-N	
91	41		AN960-10L						1		04-A	
91	42		AN960-416L						8		04-A	
91	43		89L41241						1L-1R		01-N	
91	44		89L41235						1		01-N	

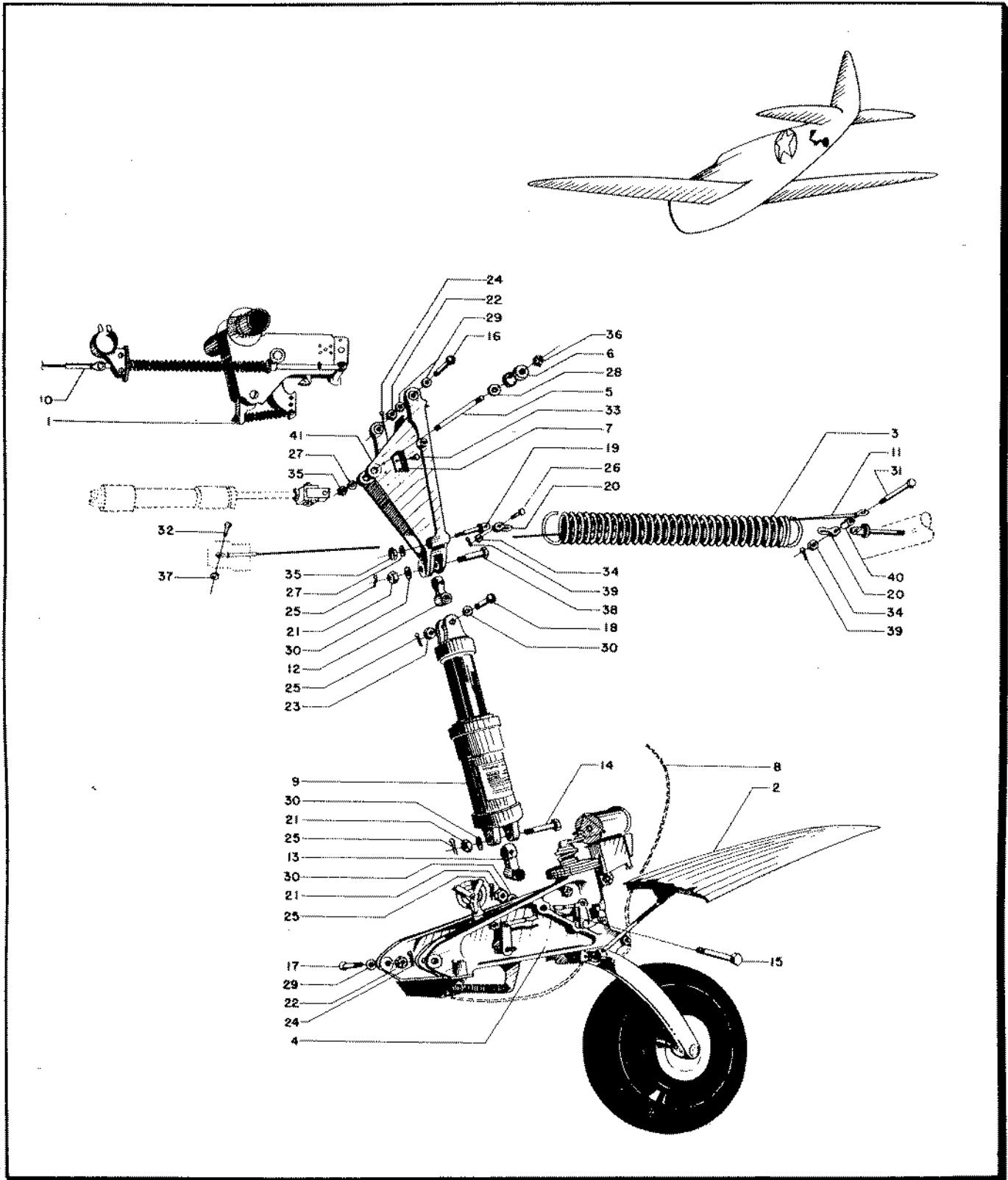


Figure 92—Tail Wheel

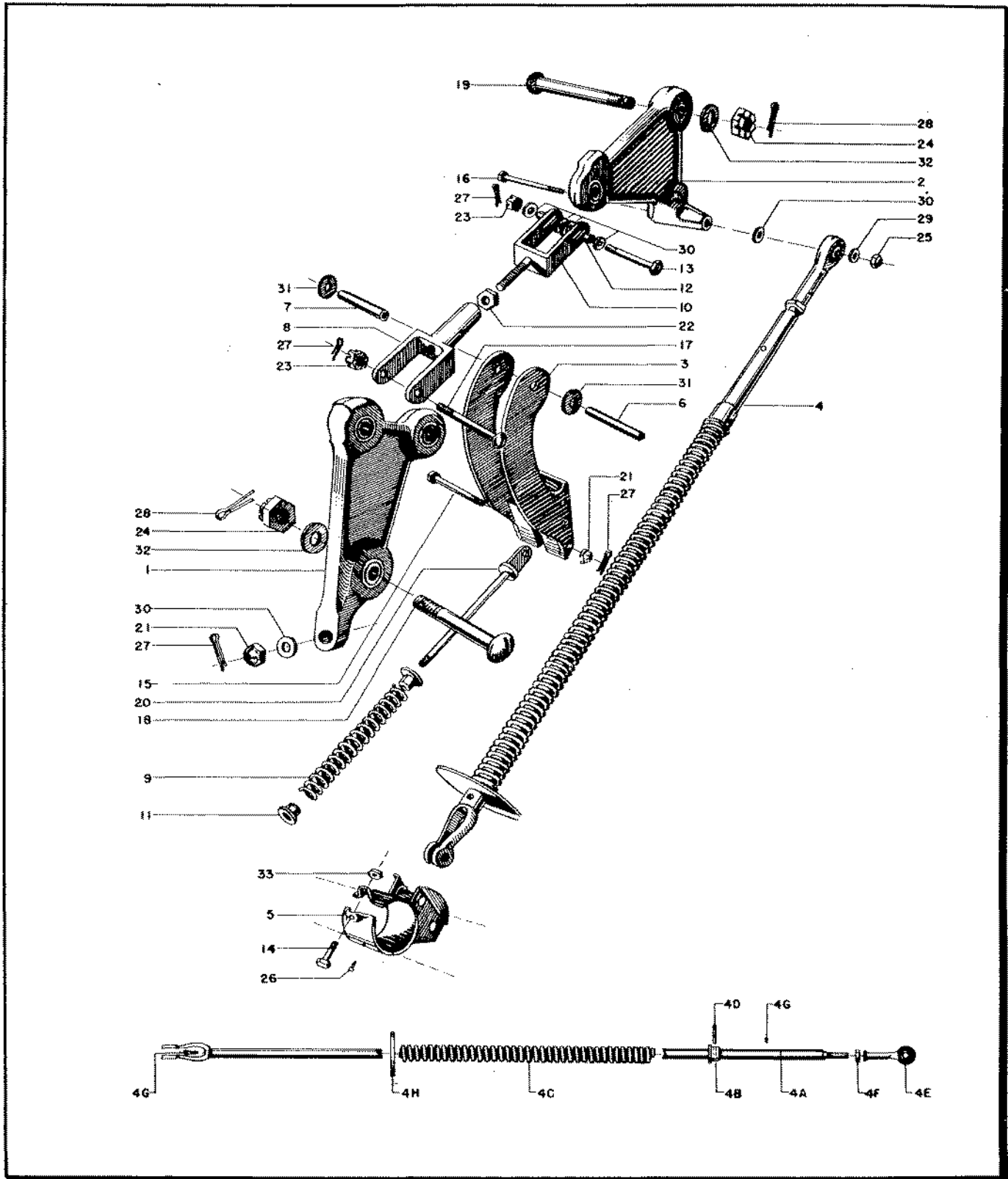


Figure 93—Tail Wheel Uplock Mechanism

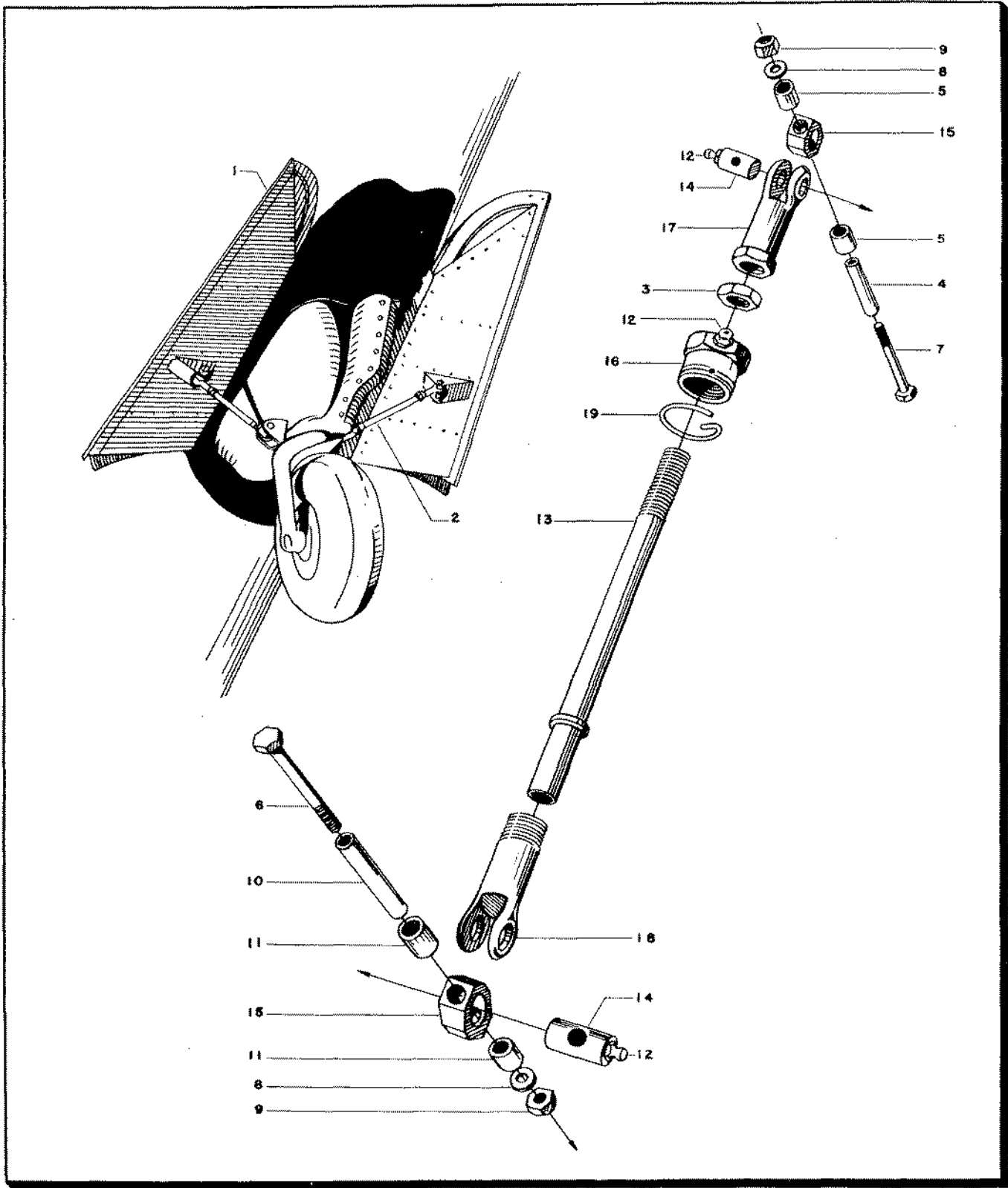


Figure 94—Tail Wheel Doors

RESTRICTED
AN 01-65BC-4
SECTION II—GROUP ASSEMBLY PARTS LISTS

FIG. NO.	INDEX NO.	S T O C K E D	GROUP TAIL WHEEL						UNITS PER ASSY	PROPERTY CLASSIFICATION					
			MAJOR ASSEMBLY	INSTALLATION TAIL WHEEL DOOR						U.S. NAVY	U.S. ARMY	BRITISH			
			PART NUMBER	1	2	3	4	5					6	NOMENCLATURE	
92	2		89M42198										01-N		
94	1		89M42197								1L-1R			01-N	
94	1		93M42197								1L-1R			01-N	
94	2		89M42170								2			01-N	
94	3		AN316-8R								1			04-A	
94	4		89M42171-2								1			01-N	
94	5		S9720-5-290								2			01-N	
94	6		AN4-22A								1			04-A	
94	7		AN4-20A								1			04-A	
94	8		AN960-416L								2			04-A	
94	9		365-428								2			04-A	
94	10		89M42171-1								1			01-N	
94	11		S9720-5-415								2			01-N	
94	12		1792 or 1641								3			29	
94	13		89M42163								1			01-N	
94	14		89M42164								2			01-N	
94	15		89M42165								2			01-N	
94	16		89M42166								1			01-N	
94	17		89M42167								1			01-N	
94	18		89M42168								1			01-N	
94	19		89M42169								1			01-N	

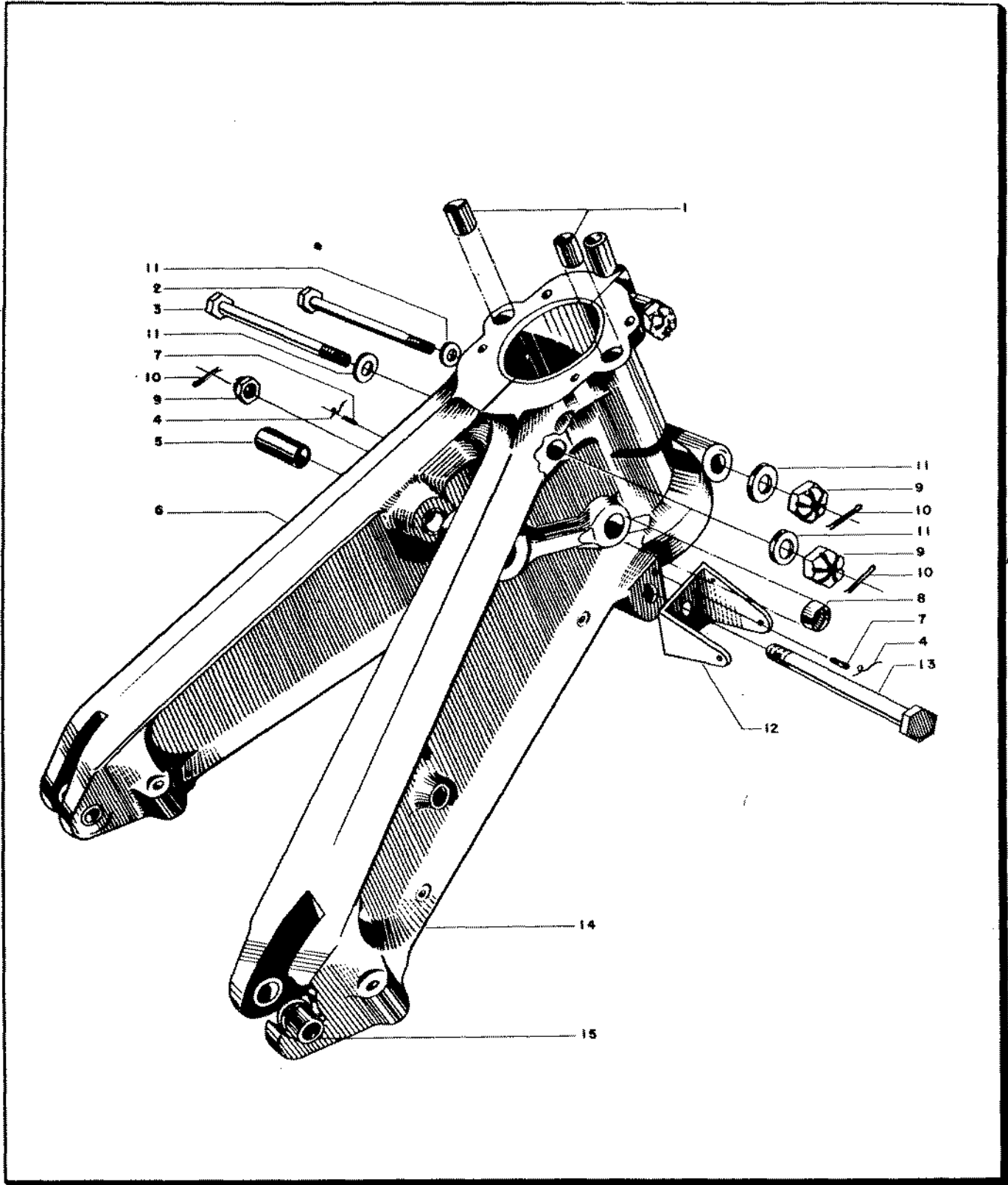


Figure 95—Tail Wheel Yoke

RESTRICTED
AN 01-65BC-4
SECTION II—GROUP ASSEMBLY PARTS LISTS

FIG. NO.	INDEX NO.	STOCKED	GROUP TAIL WHEEL						UNITS PER ASSY	PROPERTY CLASSIFICATION					
			MAJOR ASSEMBLY		TAIL WHEEL YOKE					NOMENCLATURE	U.S. NAVY	U.S. ARMY	BRITISH		
			PART NUMBER	1	2	3	4	5						6	
96	1		89M42200									Yoke, Tail Wheel			01-N
95	1		89M42193									Bushing	2		01-N
95	2		AN9-33									Bolt	2		04-A
95	3		AN9-37									Bolt	1		04-A
95	4		995-41-2									Wire	2		04-A
95	5		89M42109-3									Bushing	2		01-N
95	6		89M42200-1R									Forging Yoke Right Hand	1		01-N
95	7		503-10-8									Screw	2		04-A
95	8		B-88									Needle Bearing (Tarrington Co.)	2		29
95	9		AN310-9									Nut	4		04-A
95	10		AN380-4-4									Cotter Pin	4		29
95	11		AN960-916									Washer	6		04-A
95	12		89M42162									Bracket	1L-1R		01-N
95	13		AN9-56									Bolt	1		04-A
95	14		89M42200-4									Forging Yoke - L.H.	1		01-N
95	15		89M42115-2									Bushing	4		01-N

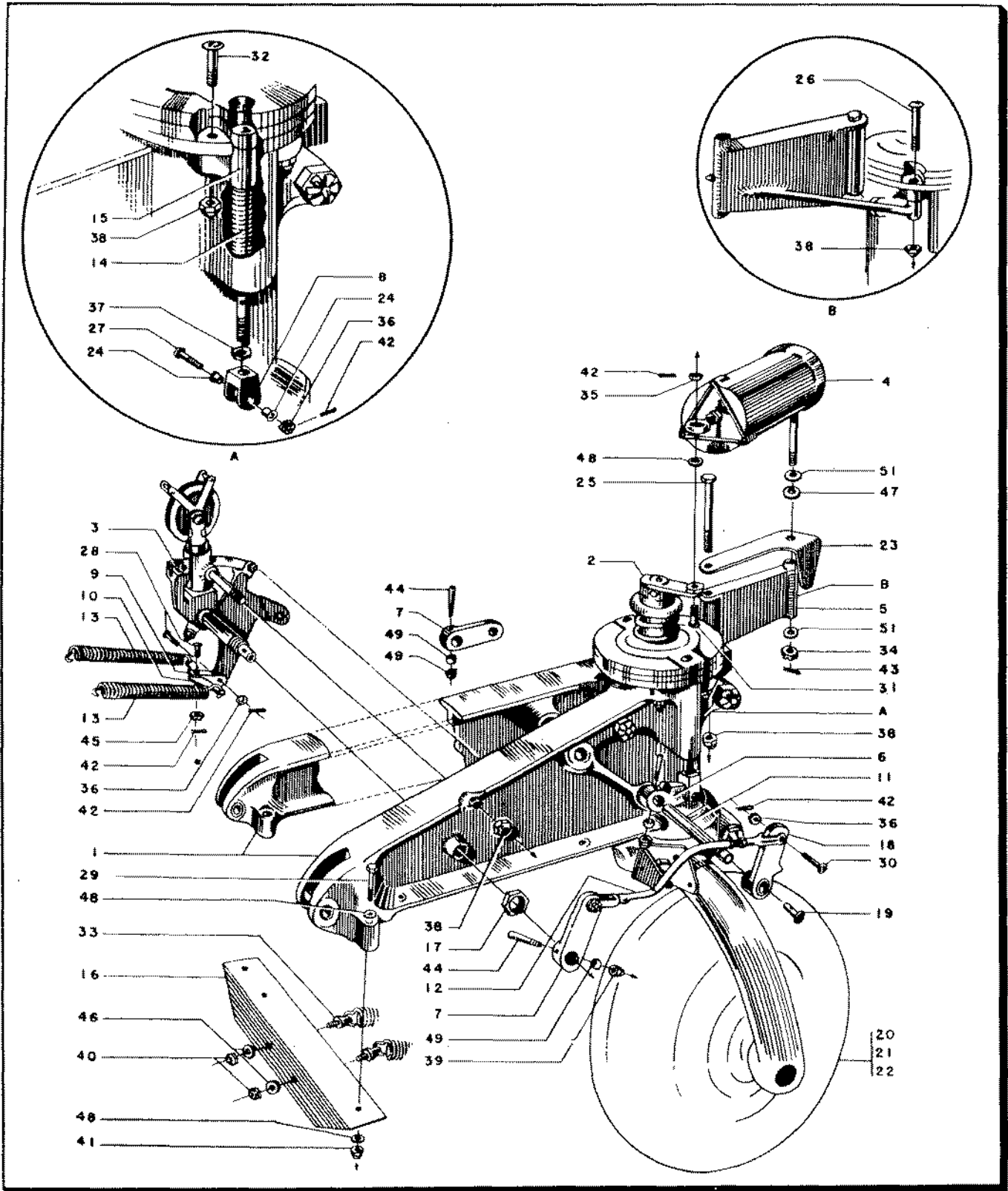


Figure 96—Tail Wheel Yoke Assembly

RESTRICTED
AN 01-65BC-4
SECTION II—GROUP ASSEMBLY PARTS LISTS

FIG. NO.	INDEX NO.	SYMBOL	TAIL WHEEL						UNITS PER ASSY	PROPERTY CLASSIFICATION				
			GROUP		TAIL WHEEL YOKE					U.S. NAVY	U.S. ARMY	BRITISH		
			MAJOR ASSEMBLY	PART NUMBER	1	2	3	4					5	6
92	4		89M42230								1			01-N
96	1		89M42200-3								1			01-N
96	2		89M42232								1			01-N
96	3		89M42119								1			01-N
96	4		89M42102								1			01-N
96	5		89M42213								1			01-N
96	6		89M42135								1			01-N
96	7		89M42134-1								2			01-N
96	8		89M42138								2			01-N
96	9		89M42315								1			01-N
96	10		89M42316								1			01-N
96	11		89M42304-1								1			01-N
96	12		89M42131								1			01-N
96	13		89M42310								2			01-N
96	14		89M42133								2			01-N
96	15		89M42132								2			01-N
96	16		89M42117								1			01-N
96	17		89M42129								1			01-N
96	18		89M42231								1			01-N
96	19		89M42217-1								1			01-N
96	20		AC26547								1			04-B
96	21		AC26550								1			04-B
96	22		AC25272								1			03-B
96	23		89M42225								1			01-N
96	24		89M42322-2								1			01-N
96	25		AN5-32A								4			01-N
96	26		AN25-30A								1			04-A
96	27		AN23-15								1			04-A
96	28		AN23-10								2			04-A
96	29		AN4-15A								4			04-A
96	30		AN23-13								2			04-A
96	31		AN24-22								1			04-A
96	32		AN25-17A								3			04-A
96	33		AN42-4A								2			04-A
96	34		AN320-6								1			04-A
96	35		AN320-4								1			04-A
96	36		AN320-3								5			04-A
96	37		AN316-4R								2			04-A
96	38		AN364-524								5			04-A
96	39		AN364-1032								4			04-A
96	40		AN365-1032								2			04-A
			AN365-428								4			04-A
96	42		AN380-2-2								2			29
96	43		AN380-3-3								1			29
96	44		AN386-1-8A								3			04-A
96	45		AN310-3								1			04-A
96	46		AN960-10L								2			04-A
96	47		AN960-616								1			04-A
96	48		AN960-416								9			04-A
96	49		AN975-3								3			04-A
			AN365-524								1			04-A
96	51		S-2180-6								2			01-N

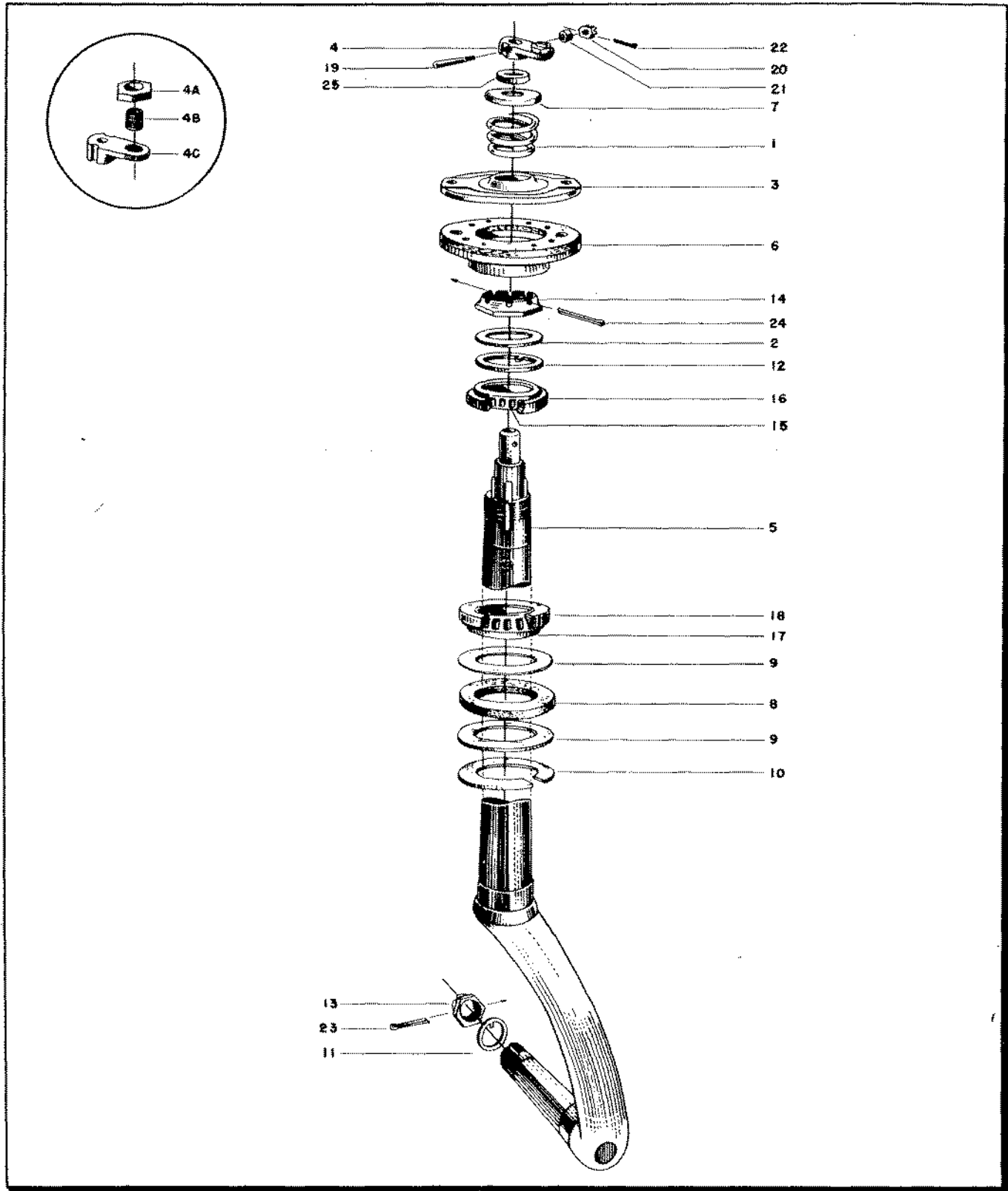


Figure 97—Tail Wheel Post Assembly

RESTRICTED
AN 01-65BC-4
SECTION II—GROUP ASSEMBLY PARTS LISTS

FIG. NO.	INDEX NO.	S T O C K E D	GROUP		TAIL WHEEL						UNITS PER ASSY.	PROPERTY CLASSIFICATION			
			MAJOR ASSEMBLY		POST ASSEMBLY							U.S. NAVY	U.S. ARMY	BRITISH	
			PART NUMBER	1	2	3	4	5	6	NOMENCLATURE					
96	2		89M42232									1		01-N	
97	1		89M42332									1		01-N	
97	2		89M42237									1		01-N	
97	3		89M42341-1									1		01-N	
97	4		89M42345									1		01-N	
97	4A		89M42348									1		01-N	
97	4B		89M42346									1		01-N	
97	4C		89M42347									1		01-N	
97	5		89M42339									1		01-N	
97	6		89M42342									1		01-N	
97	7		AC35A231									1		03-B	
97	8		AC35A235-4									1		03-B	
97	9		AC35A236-4									2		03-B	
97	10		AC35A237-4									1		03-B	
97	11		AC35A239-1									1		03-B	
97	12		AC35A239-6									1		03-B	
97	13		AC35B416-3									1		03-B	
97	14		AC35B416-4									1		03-B	
97	15		12175									1		29	
97	16		12303									1		29	
97	17		18200									1		29	
97	18		18337									1		29	
97	19		AN386-3-8									1		04-A	
97	20		AN320-4									1		04-A	
97	21		AN975-4									1		04-A	
97	22		AN380-2-2									1		29	
97	23		AN380-4-7									1		29	
97	24		AN380-4-8									1		29	
97	25		89M42232-2									1		01-N	

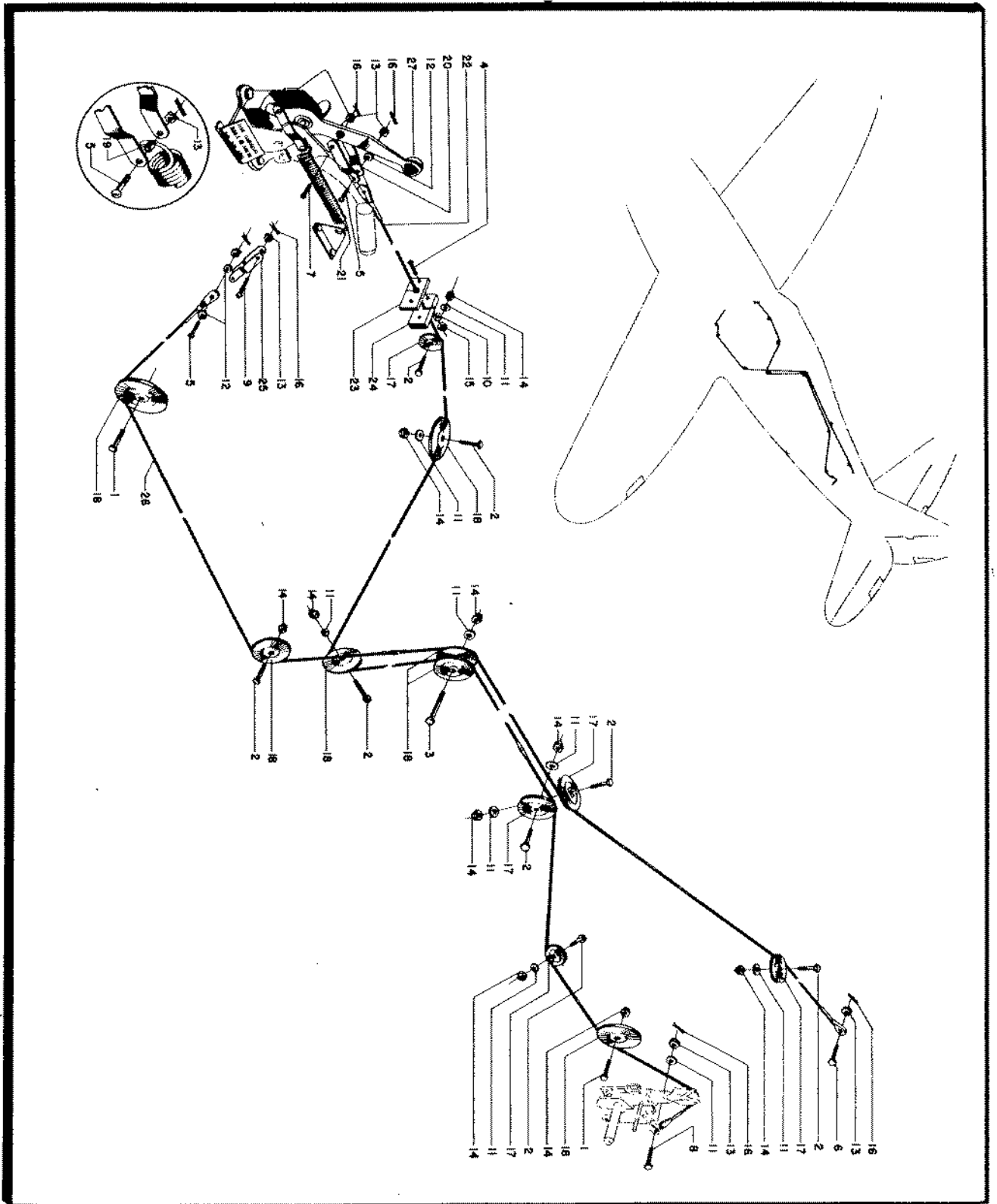
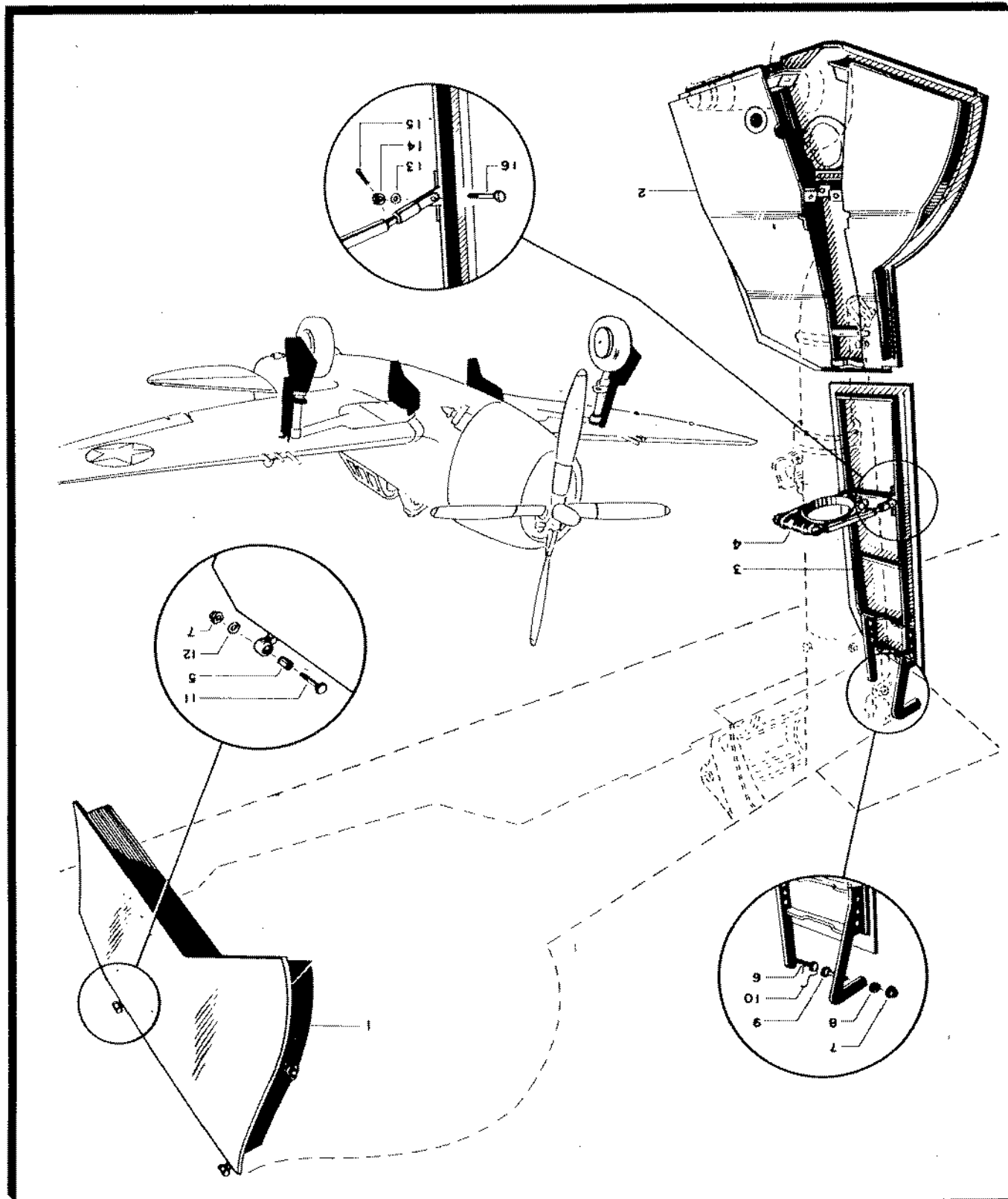


Figure 98—Tail Wheel Swivel and Uplock Control Cables

RESTRICTED
AN 01-65BC-4
SECTION II—GROUP ASSEMBLY PARTS LISTS

FIG. NO.	INDEX NO.	S T O C K E D	GROUP TAIL WHEEL						UNITS PER ASSEY	PROPERTY CLASSIFICATION												
			MAJOR ASSEMBLY SWIVEL AND UPLOCK CONTROL CABLES							U.S. NAVY	U.S. ARMY	BRITISH										
			PART NUMBER	1	2	3	4	5					6	NOMENCLATURE								
92	10		89M42356														Installation Tail Wheel - Swivel and Uplock Control Cables			01-N		
98	1		AN3-6A														Bolt	2			04-A	
98	2		AN3-7A														Bolt	8			04-A	
98	3		AN3-12A														Bolt	1			04-A	
98	4		AN515-6-14														Screw	2			29	
98	5		AN23-9														Glevis Bolt	3			04-A	
98	6		AN23-10														Glevis Bolt	1			04-A	
98	7		AN23-12														Glevis Bolt	2			04-A	
98	8		AN23-13														Glevis Bolt	1			04-A	
98	9		AN23-19														Glevis Bolt	1			04-A	
98	10		AN960-6														Washer	2			04-A	
98	11		AN960-A10														Washer	11			04-A	
98	12		AN960-10L														Washer	1			04-A	
98	13		AN320-3														Nut	8			04-A	
98	14		365-1032														Nut	11			04-A	
98	15		365-632														Nut	2			04-A	
98	16		AN380-2-2														Cotter Pin	8			29	
98	17		AN210-1A														Pulley	5			04-A	
98	18		AN210-2A														Pulley	7			04-A	
98	19		S-9720-3-1/8														Spacer	1			01-N	
98	20		89M42270														Link	4			01-N	
98	21		89M42196														Spring	1			01-N	
98	22		89M42285-3														Cable Swivel Lock	1			01-N	
98	23		89M42181														Plate	1			01-N	
98	24		89M42182														Block	1			01-N	
98	25		89M42351														Link	1			01-N	
98	26		89M42228-4														Cockpit Control	1			01-N	
98	27		89F65265														Installation Tank Release Control	1			01-N	

Figure 99—Landing Gear Fairing



Section II
Group Assembly Parts List

RESTRICTED
AN 01-69BC-4

RESTRICTED
AN 01-658C-4
SECTION II—GROUP ASSEMBLY PARTS LISTS

FIG. NO.	INDEX NO.	STOCKED	GROUP LANDING GEAR FAIRING						UNITS PER ASSY	PROPERTY CLASSIFICATION										
			MAJOR ASSEMBLY INSTALLATION - LANDING GEAR FAIRING							U.S. NAVY	U.S. ARMY	BRITISH								
			PART NUMBER	1	2	3	4	5					6	NOMENCLATURE						
2	57		89L43000													Installation - Landing Gear Fairing 1L-1R	1		01-N	
99	1		89L43100													Door Assembly - Landing Gear Inner Wing	1		01-N	
99	2		89L43101													Installation - Wheel Fork Fairing	1		01-N	
99	3		89L43102													Fairing Assembly - Strut Cylinder	1		01-N	
99	4		89L43103													Installation - Clamp and Links Landing Gear Strut Fairing	1		01-N	
99	5		89L43165													Spacer - Landing Gear Wheel Door Hinge	1		01-N	
99	6		89L43169													Pin - Landing Gear Fairing Outboard Forward Hinge Stud	1		01-N	
99	7		365-428													Nut	3		04-A	
99	8		AN960-416L													Washer	1		04-A	
99	9		AN4-13A													Bolt	1		04-A	
99	10		995-047													Lock Wire	As Req.		04-A	
99	11		AN4-14A													Bolt	2		04-A	
99	12		AN960-416													Washer	2		04-A	
99	13		AN960-516													Washer	2		04-A	
99	14		AN310-5													Nut	2		04-A	
99	15		AN380-2-2													Cotter Pin	1		29	
99	16		AN5-11													Bolt	2		04-A	

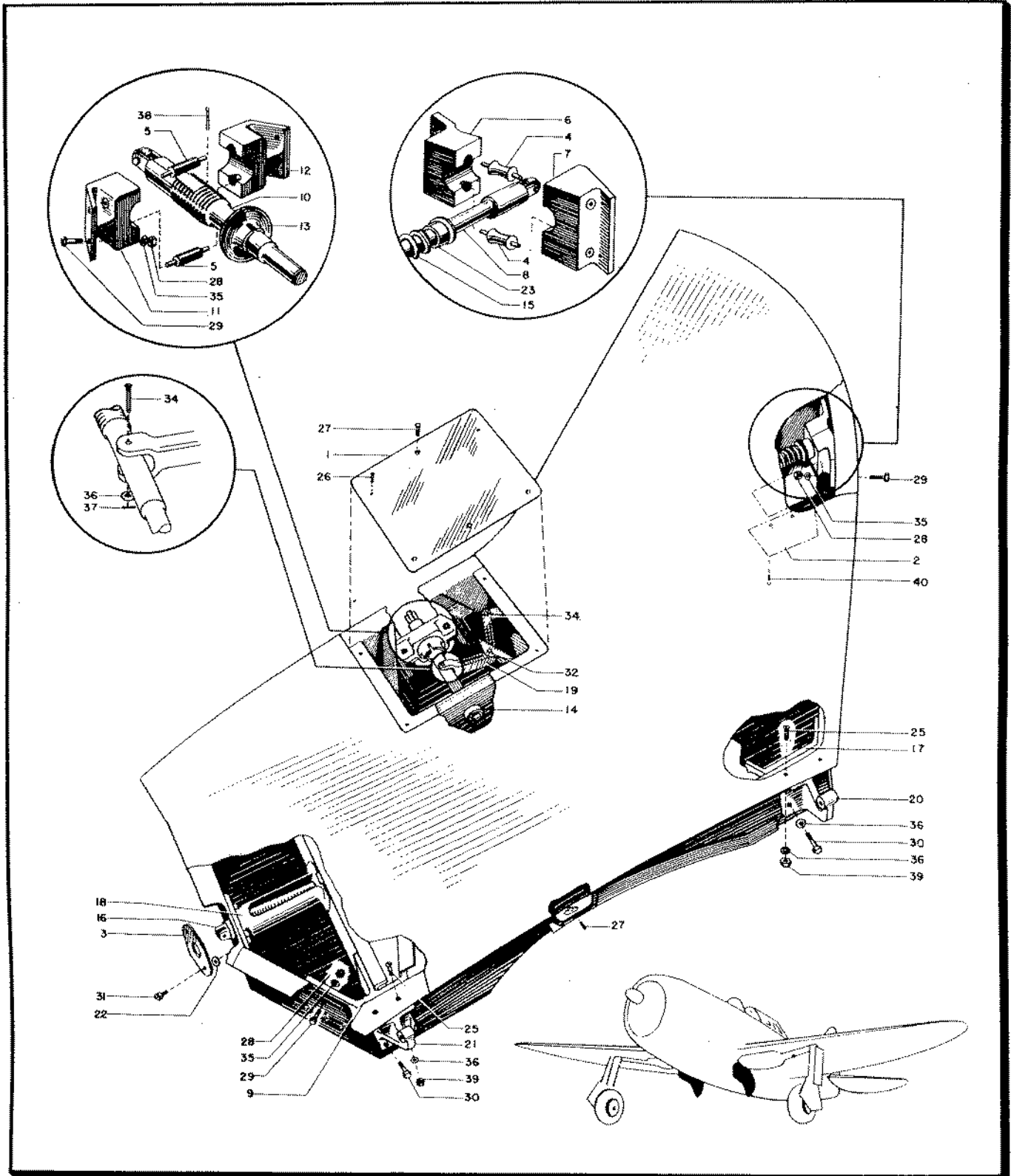


Figure 100—Landing Gear Door Assembly

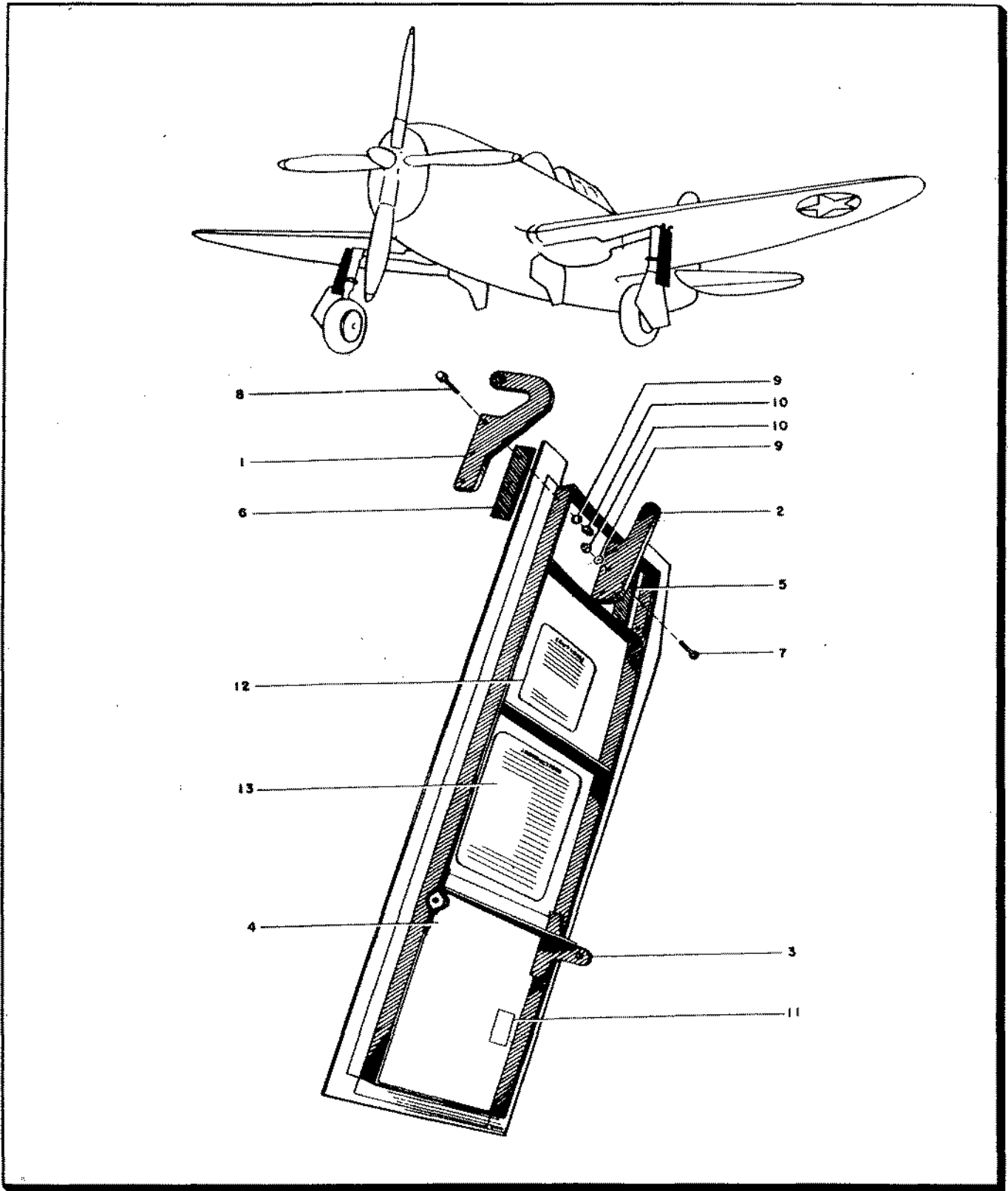


Figure 101—Shock Strut Cylinder Fairing Assembly

RESTRICTED
AN 01-65BC-4
SECTION II—GROUP ASSEMBLY PARTS LISTS

FIG. NO.	INDEX NO.	STOCK #	GROUP						UNITS PER ASSY	PROPERTY CLASSIFICATION				
			MAJOR ASSEMBLY			STRUT FAIRING ASSEMBLY				U.S. NAVY	U.S. ARMY	BRITISH		
			PART NUMBER	1	2	3	4	5					6	NOMENCLATURE
99	3		89LA3102							Landing Gear Fairing	11-1R		01-N	
101	1		89LA3155							Hinge Assembly	1L		01-N	
101	2		89LA3166							Hinge Assembly	1L		01-N	
101	3		89LA3153							Hinge Assembly	1L		01-N	
101	4		89LA3152							Hinge Assembly	1L		01-N	
101	5		89LA3167							Shim	1		01-N	
101	6		89LA3170							Shim	1		01-N	
101	7		AN4-11A							Bolt	3		04-A	
101	8		AN4-10A							Bolt	3		04-A	
101	9		AN960-0416							Washer	6		04-A	
101	10		AN365-428							Stop Nut	6		04-A	
101	11		AN7510-1							Identification Plate	1		03-F	
101	12		89LA3174							Instruction Plate	1		01-N	
101	13		89LA3173							Instruction Plate	1		01-N	

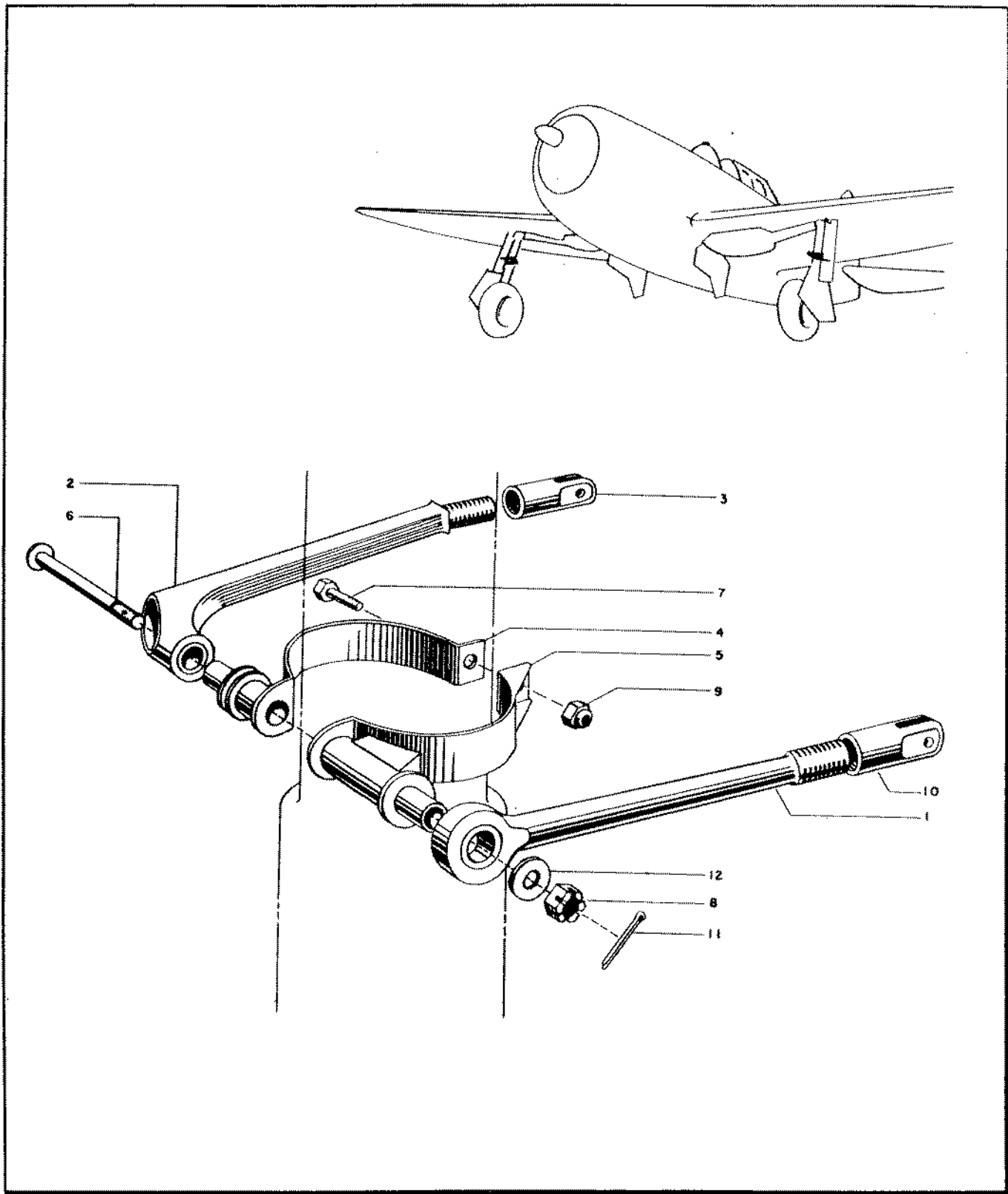


Figure 102—Landing Gear Strut Fairing Clamp

RESTRICTED
AN 01-65BC-4
SECTION II—GROUP ASSEMBLY PARTS LISTS

FIG. NO.	INDEX NO.	STOCKED	GROUP LANDING GEAR FAIRING						UNITS PER ASSY	PROPERTY CLASSIFICATION				
			MAJOR ASSEMBLY	FAIRING CLAMPS AND LINKS						U.S. NAVY	U.S. ARMY	BRITISH		
			PART NUMBER	1	2	3	4	5					6	NOMENCLATURE
99	4		89L43103							Installation Fairing Clamps and Links	1L-1R		01-N	
102	1		89L43289							Forward Link	1		01-N	
102	2		89L43290							Aft Link	1		01-N	
102	3		89L43113							Fork	1		01-N	
102	4		89L43104							Aft Clamp	1L		01-N	
102	5		89L43105							Forward Clamp	1L		01-N	
102	6		AN28-86							Bolt	1		04-A	
102	7		AN6-10A							Bolt	1		04-A	
102	8		AN320-8							Nut	1		04-A	
102	9		AN365-624							Nut	1		04-A	
102	10		89L43172							Washer	1		01-N	
102	11		AN380-3-3							Cotter Pin	1		29	
102	12		89L43175							Fork	1		01-N	

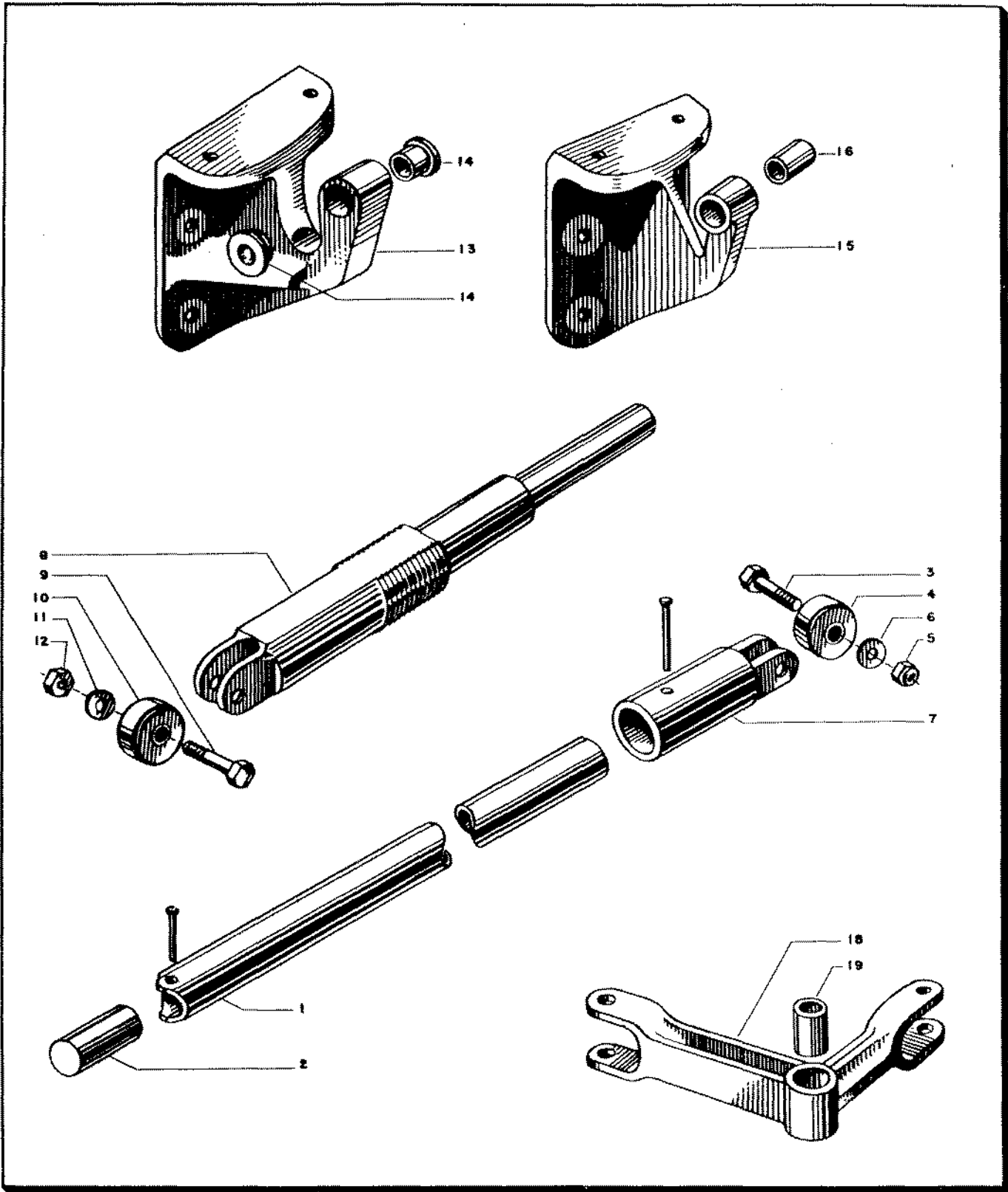


Figure 103—Landing Gear Push Rod Assembly

RESTRICTED
AN 01-65BC-4
SECTION II—GROUP ASSEMBLY PARTS LISTS

FIG. NO.	INDEX NO.	STOCKED	GROUP LANDING GEAR FAIRING						UNITS PER ASSY.	PROPERTY CLASSIFICATION				
			MAJOR ASSEMBLY	LANDING GEAR DOOR DETAILS						U.S. NAVY	U.S. ARMY	BRITISH		
				PART NUMBER	1	2	3	4					5	6
100	8		89L43256								1		01-N	
103	1		89L43256-1								1		01-N	
103	2		89L43148								1		01-N	
103	3		89L43147								1		01-N	
103	4		AT-4								1		29	
103	5		AN364-428								1		04-A	
103	6		AN960-416L								1		04-A	
103	7		89L43145								1		01-N	
100	10		89L43258								1		01-N	
103	8		89L43258-1								1		01-N	
103	9		89L43147								1		01-N	
103	10		AT-4								1		29	
103	11		AN960-416								1		04-A	
103	12		AN364-428								1		04-A	
100	20		89L43281								1L		01-N	
103	13		89L43281-1								1L		01-N	
103	14		89L43281-2								1		01-N	
100	21		89L43282								1L		01-N	
103	15		89L43282-1								1L		01-N	
103	16		89L43282-3								2		01-N	
100	19		89L43267								1		01-N	
103	18		89L43267-1								1		01-N	
103	19		A-304-1								1			

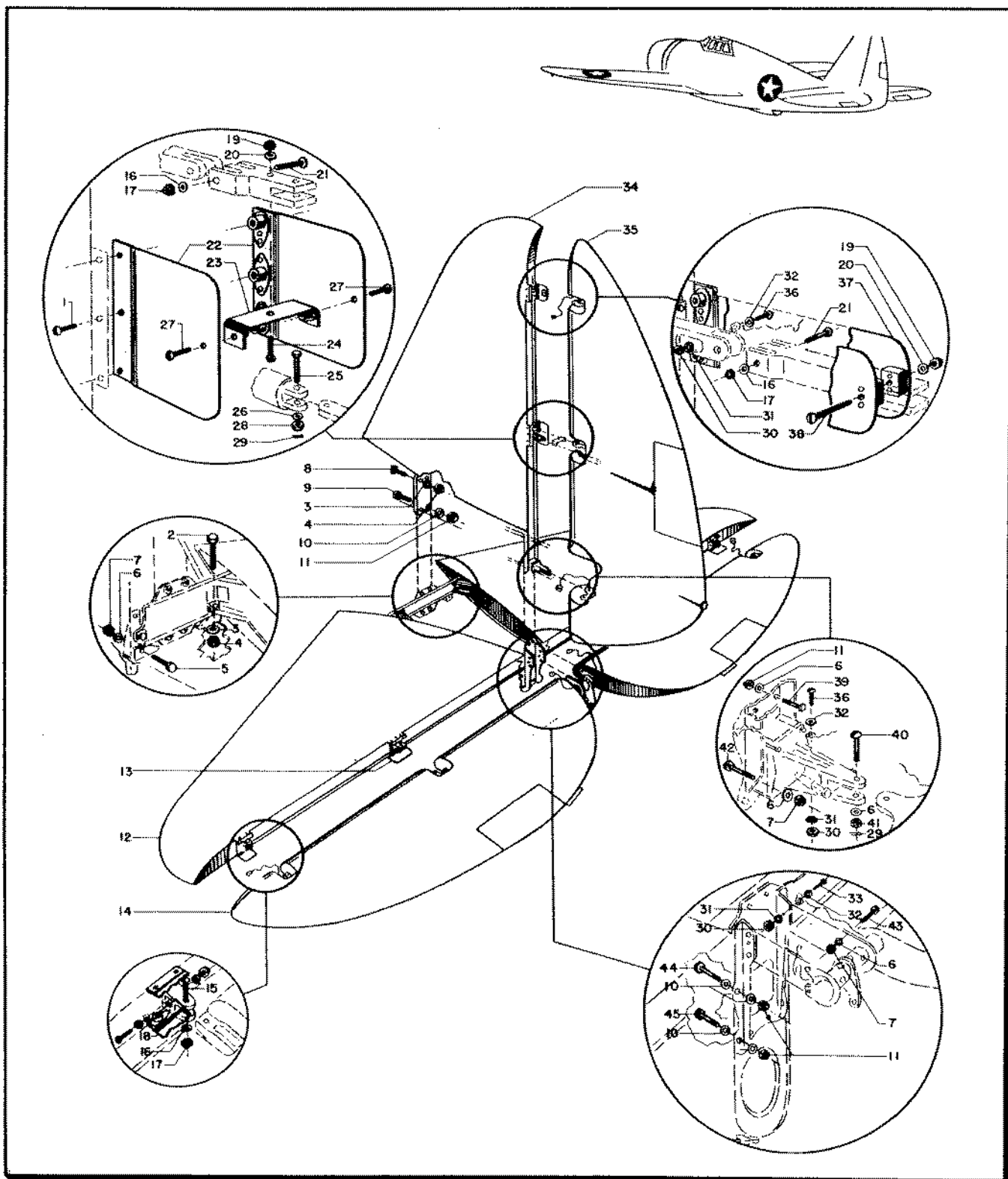


Figure 104—Empennage

RESTRICTED
AN 01-65BC-4
SECTION II—GROUP ASSEMBLY PARTS LISTS

FIG. NO.	INDEX NO.	SYMBOL	GROUP						UNITS PER ASSY	PROPERTY CLASSIFICATION					
			MAJOR ASSEMBLY			STABILIZER				U.S. NAVY	U.S. ARMY	BRITISH			
			PART NUMBER	1	2	3	4	5					6	NOMENCLATURE	
104	12		89K52000								1		01-N		
105	1		89K52109								1L-1R		01-N		
105	1		93K52109								1L-1R		01-N		
105	2		89K52149								1		01-N		
105	3		AN7-12A								4		04-A		
105	4		AN960-D716								4		04-A		
105	5		S-2180-D7								4		01-N		
105	6		AN365-720								4		04-A		
105	7		AN525-10-14								4		29		
105	8		89K52150								1		01-N		
105	9		89K52151								2		01-N		
105	10		89K52152								1L-1R		01-N		
105	11		AN4-13A								8		04-A		
105	12		AN960D416								8		04-A		
105	13		S-2180-D4								8		01-N		
105	14		AN365-428								8		04-A		
105	15		AN365-832								4		04-A		
105	16		AN960-D8								4		04-A		
105	17		89K52162								4		01-N		
105	18		AN365-524								4		04-A		
105	19		AN960-D516								4		04-A		
105	20		S-52-8-5								4		01-N		
Ref.			89K52101								1		01-N		
105	21		89K52121								2		01-N		
105	22		89K52122								2		01-N		
105	23		89K52123								2		01-N		
105	24		89K52124								2		01-N		
			Frame Assembly												
			Rib 6-3/8												
			Rib 10½												
			Rib 16½												
			Rib 22½												
			THE PART NUMBER APPEARING AFTER "REF." IN THE "FIG. NO." COLUMN IS USED FOR BREAKDOWN PURPOSES ONLY, AND IS NOT TO BE ORDERED AS A PART.												

RESTRICTED

RESTRICTED
AN 01-65BC-4
SECTION II—GROUP ASSEMBLY PARTS LISTS

FIG. NO.	INDEX NO.	GROUP	EMPENNAGE						UNITS PER ASSY	PROPERTY CLASSIFICATION		
			MAJOR ASSEMBLY			INSTALLATION				U.S. NAVY	U.S. ARMY	BRITISH
			PART NUMBER	1	2	3	4	5				
2	24	89E51000							1			01-N
104	1	S52-8-2							30			01-N
104	2	AN 7-17A							2			04-A
104	3	AN 960D716							4			04-A
104	4	365-720							4			04-A
104	5	AN 5-7A							2			04-A
104	6	AN 960-D516							9			04-A
104	7	365-524							7			04-A
104	8	89J55158							2			01-N
104	9	AN 6-14A							3			04-A
104	10	AN 960-D616							14			04-A
104	11	365-624							8			04-A
104	12	89K52000-51							1			01-N
104	13	89K52156-1							4			01-N
104	14	93G53500							1			01-N
104	15	AN 24-26A							4			04-A
104	16	AN 960-D416							6			04-A
104	17	364-428							6			04-A
104	18	89K52156-2							4			01-N
104	19	364-832							2			04-A
104	20	AN 960-D8							6			04-A
104	21	AN 24-27A							2			04-A
104	22	89J55145							2			01-N
104	23	89J55160							1			01-N
104	24	AN 526-832-20							1			04-A
104	25	S263-6							1			01-N
104	26	AN 960-10							1			04-A
104	27	AN 526-832-7							2			29
104	28	AN 310-3							1			04-A
104	29	AN 380-2-2							2			29
104	30	AN 340-8							6			29
104	31	936B8							6			29
104	32	AN 960-8							6			04-A
104	33	AN 515-8-10							2			29
104	34	89J55000-51							1			01-N
104	35	93R54500							1			01-N
104	36	AN 515-8-7							4			29
104	37	89J55154							L/R			01-N
104	38	AN 526-832-30							1			29
104	39	89J55157							2			01-N
104	40	AN 25-21							1			04-A
104	41	AN 320-5							1			04-A
104	42	AN 5-31A							2			04-A
104	43	AN 5-11A							4			04-A
104	44	AN 6-13A							3			04-A
104	45	AN 6-14A							3			04-A

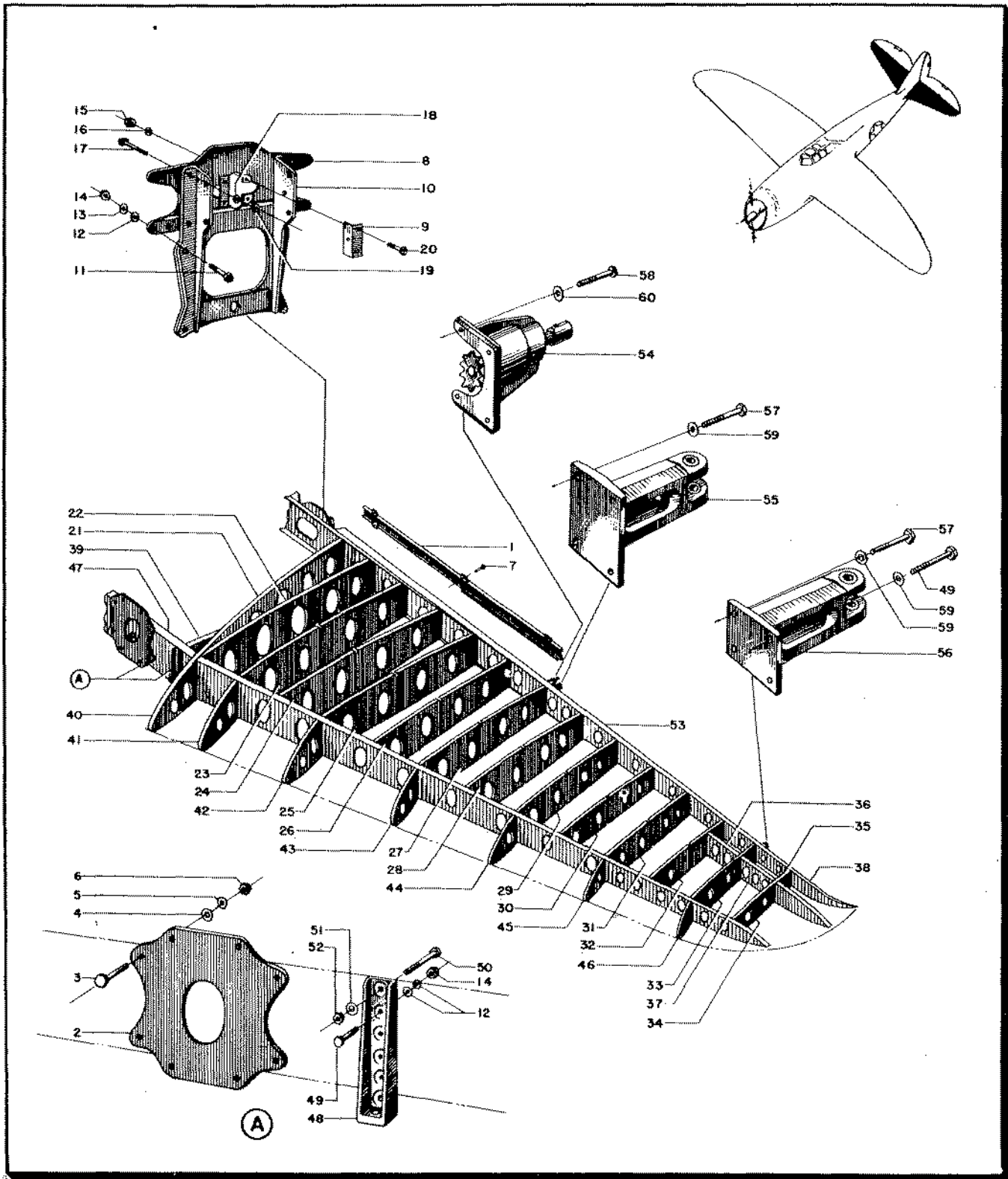


Figure 105—Stabilizer

RESTRICTED
AN 01-65BC-4
SECTION II—GROUP ASSEMBLY PARTS LISTS

FIG. NO.	INDEX NO.	STOCKED	GROUP		EMPENNAGE						UNITS PER ASSY	PROPERTY CLASSIFICATION			
			MAJOR ASSEMBLY		STABILIZER							U.S. NAVY	U.S. ARMY	BRITISH	
			PART NUMBER		1	2	3	4	5	6					NOMENCLATURE
105	49		AN4-10A									6		04-A	
105	50		AN6-12A									4		04-A	
105	51		AN960-D616									8		04-A	
105	52		AN365-624									4		04-A	
105	53		89R52104									1		01-N	
105	53		93K52104									1		01-N	
105	54		89K52105									2		01-N	
105	55		89K52106									2		01-N	
105	56		89K52107									2		01-N	
105	57		AN4-7A									12		04-A	
105	58		AN3-6A									8		04-A	
105	59		AN960-D416									28		04-A	
105	60		AN960-D10									14		04-A	

RESTRICTED
AN 01-65BC-4
SECTION II—GROUP ASSEMBLY PARTS LISTS

FIG. NO.	INDEX NO.	STOCKED	GROUP						UNITS PER ASSY	PROPERTY CLASSIFICATION			
			EMPENNAGE							U.S. NAVY	U.S. ARMY	BRITISH	
			MAJOR ASSEMBLY		ELEVATOR ASSEMBLY		METAL COVERED						
PART NUMBER	1	2	3	4	5	6	NOMENCLATURE						
104	14		93G53500						Elevator Assembly Metal Covered	11-1R			
106	1		93G53503						Bow Assembly Inboard	1			
106	2		93G53504						Tip Assembly	1			
106	3		93G53505						Spar Assembly - Main	1			
106	3A		93G53563-1						Hinge Assembly Center	1			
106	3B		93G53563-3						Hinge Assembly Outboard	1			
106	3C		93G53592						Bolt	4			
106	4		93G53509						Spar Tab Support	1			
106	5		93G53510						Bow Inboard Forward	1			
106	6		93G53511						Rib Station 12 Main	1			
106	7		93G53512						Rib Station 17-7/16 Main	1			
106	8		93G53513						Rib Station 24 Main	1			
106	9		93G53514						Rib Station 30 Main	1			
106	10		93G53515						Rib Station 36-13/16 Main	1			
106	11		93G53516						Rib Station 41-5/16 Main	1			
106	12		93G53517						Rib Station 47-3/4 Main	1			
106	13		93G53518						Rib Station 53-3/4 Main	1			
106	14		93G53519						Rib Station 59-3/4 Main	1			
106	15		93G53520						Rib Station 65-3/4 Main	1			
106	16		93G53521						Rib Station 71-3/4 Main	1			
106	17		93G53522						Rib Station 76-15/16 - 78 Main	1			
106	18		93G53523						Rib Station 78 - 79-1/16	1			
106	19		93G53524						Rib Station 84-7/8 Main	1			
106	20		93G53526						Rib Station 39-3/16 Main	1			
106	21		93G53533						Rib - Elevator Nose	1			
106	22		93G53534						Rib - Elevator Nose	1			
106	23		93G53535						Rib Assembly Elevator Nose	1			
106	24		93G53536						Rib Assembly Elevator Nose	1			
106	25		93G53537						Rib Elevator Nose	1			
106	26		93G53538						Rib Elevator Nose	1			
106	27		93G53539						Rib Elevator Nose	1			

Unless otherwise noted all parts are in class 01-N.

RESTRICTED

AN 01-65BC-4

SECTION II—GROUP ASSEMBLY PARTS LISTS

FIG. NO.	INDEX NO.	STOCK #	GROUP						UNITS PER ASSY	PROPERTY CLASSIFICATION		
			MAJOR ASSEMBLY		EMPENNAGE					U.S. NAVY	U.S. ARMY	BRITISH
			PART NUMBER	ELEVATOR ASSEMBLY METAL COVERED								
		1	2	3	4	5	6	NOMENCLATURE				
106	28		93G53540					Rib Elevator Nose	1			
106	29		93G53541					Rib Elevator Nose	1			
106	30		93G53542					Rib Assembly Elevator Nose	1			
106	31		93G53543					Rib Assembly Elevator Nose	1			
106	32		93G53546					Link Assembly	2			
106	33		93G53550					Tab Assembly	1			
106	34		93G53560					Torque Tube Assembly	1			
106	34A		93G53530					Rib Nose Station 18	1			
106	34B		93G53531					Rib Nose Station 12	1			
106	34C		93G53532					Rib Nose Station 24	1			
106	34D		93G53562					Collar	6			
106	34E		93G53560-1					Torque Tube	1			
106	35		93G53571					Hinge Assembly Inboard	1			
106	36		93G53576					Horn Assembly	1			
106	37		93G53569-2					Support Assembly Tab Hinges	2			
106	38		93G53574					Fairing Tab Control	1			
106	39		93G53570					Support Assembly Tab Center Hinges	1			
106	40		93G53577					Drive Assembly Tab Control	1			
106	41		93G53580					Balance Weight	1			
106	42		93G53581					Balance Weight	1			
106	43		93G53582					Balance Weight	1			
106	44		93G53583					Balance Weight	1			
106	45		93G53584					Balance Weight	1			
106	46		93G53585					Balance Weight	1			
106	47		93G53586					Balance Weight	1			
106	48		93G53587					Balance Weight	1			
106	49		93G53588					Balance Weight	1			
106	50		93G53589					Balance Weight	1			
106	51		93G53575-2					Cover Plate	3			
106	52		93G53575-3					Cover Plate	1			
106	53		S-266-27A					Bolt	2			

Unless otherwise noted all parts are in class 01-W.

RESTRICTED
AN 01-65BC-4
SECTION II—GROUP ASSEMBLY PARTS LISTS

FIG. NO.	INDEX NO.	STOCKED	GROUP EMPENNAGE						UNITS PER ASSY	PROPERTY CLASSIFICATION			
			MAJOR ASSEMBLY		ELEVATOR ASSEMBLY METAL COVERED					U.S. NAVY	U.S. ARMY	BRITISH	
			PART NUMBER	1	2	3	4	5					6
106	54		AN960D616						Washer	4		04-A	
106	55		365-624						Stop Nut	2		04-A	
106	56		AN515-8-5						Screw	1		29	
106	57		365-832						Stop Nut	2		04-A	
106	58		4ATJ-6-6						Bond Braid	2		08-B	
106	59		365-1032						Stop Nut	2		04-A	
106	60		AN960-D10						Washer	As Req.		04-A	
106	61		S-52-10-10						Screw	15		01-N	
106	62		S-52-8-8						Screw	3		01-N	
106	63		AN960-D8						Washer	As Req.		04-A	
106	64		365-832						Stop Nut	2		04-A	
106	65		AN526-1032-8						Screw	8		29	
106	66		AN24-19						Clevis Bolt	2		04-A	
106	67		995-32-3						Lockwire	2		04-A	
106	68		AN380-2-2						Cotter Pin	2		29	
106	69		AN320-4						Nut	2		04-A	
106	70		AN960-D416						Washer	2		04-A	
106	71		AN4-7A						Bolt	2		04-A	
106	72		AN24-19						Clevis Bolt	2		04-A	
106	73		AN4-6A						Bolt	4		04-A	

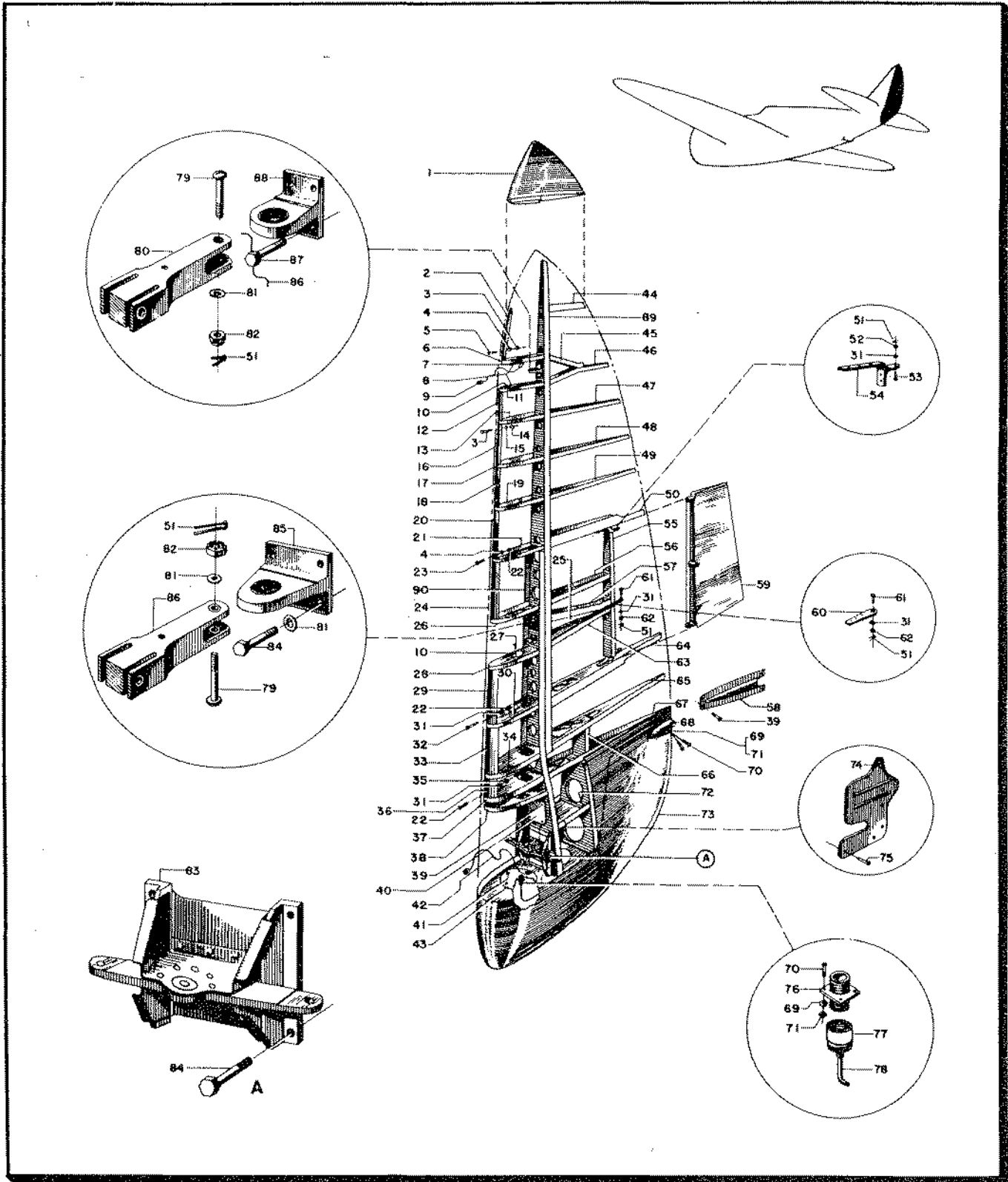


Figure 107—Rudder Assembly

RESTRICTED
AN 01-65BC-4
SECTION II—GROUP ASSEMBLY PARTS LISTS

FIG. NO.	INDEX NO.	S T O C K E D	GROUP		EMPENNAGE							UNITS PER ASSY	PROPERTY CLASSIFICATION			
			MAJOR ASSEMBLY		RUDDER ASSEMBLY								U.S. NAVY	U.S. ARMY	BRITISH	
			PART NUMBER		1	2	3	4	5	6	NOMENCLATURE					
104	35		93R54500										1		01-N	
107	1		93R54504										1		01-N	
107	2		93R54588										1		01-N	
107	3		365-832										1		04-A	
107	4		AN 960-D8										As Req.		04-A	
107	5		S-52-S-6										3		01-N	
107	6		93 R54541										1		01-N	
107	7		93G53575-2										1		01-N	
107	8		AN 526-1032-8										8		29	
107	9		6ATJ-6-6										1		08=B	
107	10		93G53575-1										3		01-N	
107	11		93R54540										1		01-N	
107	12		93R54587										1		01-N	
107	13		93R54539										1		01-N	
107	14		S-52-S-9										3		01-N	
107	15		AN 960-D8										Req.		04-A	
107	16		93R54586										1		01-N	
107	17		93R54538										1		01-N	
107	18		93R54585										1		01-N	
107	19		93R54537										1		01-N	
107	20		93R54584										1		01-N	
107	21		93R54536										1		01-N	
107	22		365-1032										11		04-A	
107	23		S-52-S-8										12		01-N	
107	24		93R54583										1		01-N	
107	25		93R54555										1		01-N	
107	26		93R54535										1		01-N	
107	27		AN 526-1032-8										8		29	
107	28		93R54534										1		01-N	
107	29		93R54582										1		01-N	

RESTRICTED
AN 01-65BC-4
SECTION II—GROUP ASSEMBLY PARTS LISTS

FIG. NO.	INDEX NO.	STOCK #	GROUP EMPENNAGE						UNITS PER ASSY	PROPERTY CLASSIFICATION		
			MAJOR ASSEMBLY		RUDDER ASSEMBLY					U.S. NAVY	U.S. ARMY	BRITISH
			PART NUMBER	1	2	3	4	5				
107	30		93R54533						1		01-N	
107	31		AN 960-D10						As Req		04-A	
107	32		S-52-10-20						6		01-N	
107	33		93R54581						1		01-N	
107	34		93R54532						1		01-N	
107	35		S-52-10-24						5		01-N	
107	36		93R54580						1		01-N	
107	37		93R54531						1		01-N	
107	38		93R54530						1		01-N	
107	39		AN 526-832-8						26		29	
107	40		93R54557						1		01-N	
107	41		AN 526-832-8						8		29	
107	42		7 ATJ-6-6						1		08-B	
107	43		93R54573						1		01-N	
107	44		93R54522						1		01-N	
107	45		93R54521						1		01-N	
107	46		93R54520						1		01-N	
107	47		93R54519						1		01-N	
107	48		93R54518						1		01-N	
107	49		93R54517						1		01-N	
107	50		93R54516						1		01-N	
107	51		AN 380-2-2						6		29	
107	52		AN 320-3						2		04-A	
107	53		S-263-7						2		01-N	
107	54		93G53569-1						1		01-N	
			93G53569-2						1		01-N	
107	55		93R54509						1		01-N	
107	56		93R54515						1		01-N	
107	57		93R54524						1		01-N	
107	58		93R54556						1		01-N	

RESTRICTED
AN 01-65BC-4
SECTION II—GROUP ASSEMBLY PARTS LISTS

FIG. NO.	INDEX NO.	S T O C K E D	GROUP EMPENNAGE						UNITS PER ASSY	PROPERTY CLASSIFICATION				
			MAJOR ASSEMBLY		RU DER ASSEMBLY					U.S. NAVY	U.S. ARMY	BRITISH		
			PART NUMBER	1	2	3	4	5					6	NOMENCLATURE
107	59		93R54550								1		01-N	
107	60		93G53570								1		01-N	
107	61		S-263-11								2		01-N	
107	62		AN 310-3								2		04-A	
107	63		93R54514								1		01-N	
107	64		93R54513								1		01-N	
107	65		93R54512								1		01-N	
107	66		93R54523								1		01-N	
107	67		93R54511								1		01-N	
107	68		Type D-1 Lamp								1		08-B	
107	69		AN 960-D4								6		04-A	
107	70		AN 515-4-6								6		29	
107	71		365-440								6		04-A	
107	72		93R54543								1		01-N	
107	73		93R54503								1		01-N	
107	74		93R54558								LL 1R		01-N	
107	75		AN 526-832-8								26		29	
107	76		AN 3100-105-2P								1		03-C	
107	77		S-161-3								1		01-N	
107	78		.125 I.D.-4								1		04-B	
107	79		AN 24-19								2		04-A	
107	80		93R54559								2		01-N	
107	81		AN 960-D416								2		04-A	
107	82		AN 320-4								2		04-A	
			93R54505										01-N	
107	83		93R54560								1		01-N	
107	84		AN4-7A								8		04-A	
107	85		93R54563-1								1		01-N	
107	86		995-32-3								2		04-A	
107	87		93G53592								4		01-N	
107	88		93G54563-2								1		01-N	
107	89		93R54505-1								1		01-N	
107	90		93R54505-2								1		01-N	

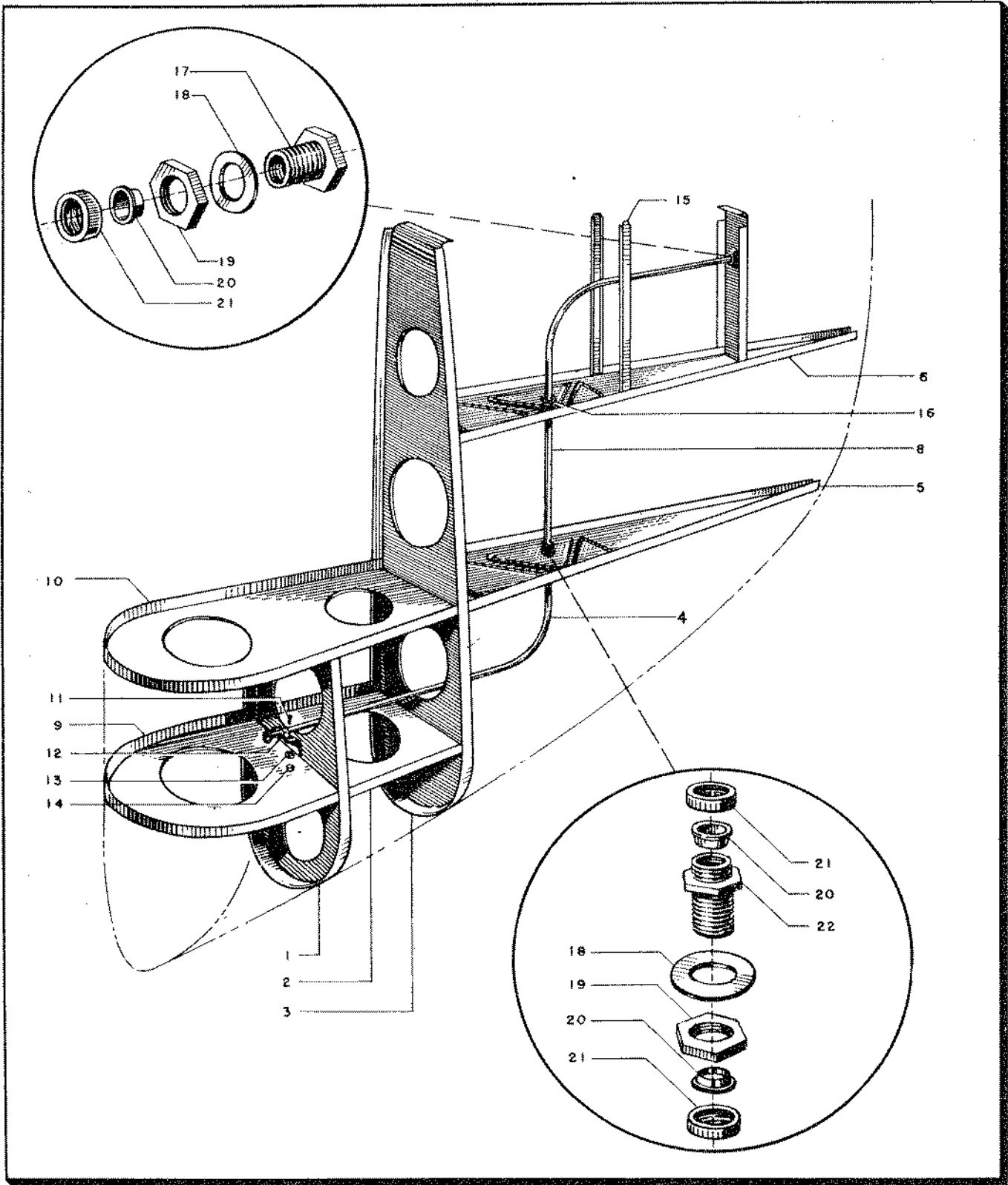


Figure 108—Rudder Can Assembly

RESTRICTED
AN 01-65BC-4

SECTION II—GROUP ASSEMBLY PARTS LISTS

FIG. NO.	INDEX NO.	STOCKED	EMPENNAGE						UNITS PER ASSY	PROPERTY CLASSIFICATION					
			MAJOR ASSEMBLY		CAN ASSEMBLY RUDDER					U.S. NAVY	U.S. ARMY	BRITISH			
			PART NUMBER	1	2	3	4	5					6	NOMENCLATURE	
107	73		93R54503									Can Assembly Rudder (Metal Covered)			01-N
108	1		93R54508								1				01-N
108	2		93R54546								1				01-N
108	3		93R54506								1				01-N
108	4		93R54503-9								1				01-N
108	5		93R54526								1				01-N
108	6		93R54525								1				01-N
			93R54507								1				01-N
108	8		93R54503-8								1				01-N
108	9		93R54545								1				01-N
108	10		93R54544								1				01-N
108	11		AN515-8-7								1				29
108	12		S-9795-3								1				01-N
108	13		AN960-D8								1				04-A
108	14		365-832								1				04-A
108	15		93R54503-10								2				01-N
108	16		AN931-3-5								1				04-B
108	17		AN3064-3								1				04-A
108	18		AN960-D816								2				04-A
108	19		AN3066-3								2				04-A
108	20		AN3053-3								3				04-A
108	21		AN3054-3								3				04-A
108	22		AN3058-3								1				04-A

RESTRICTED

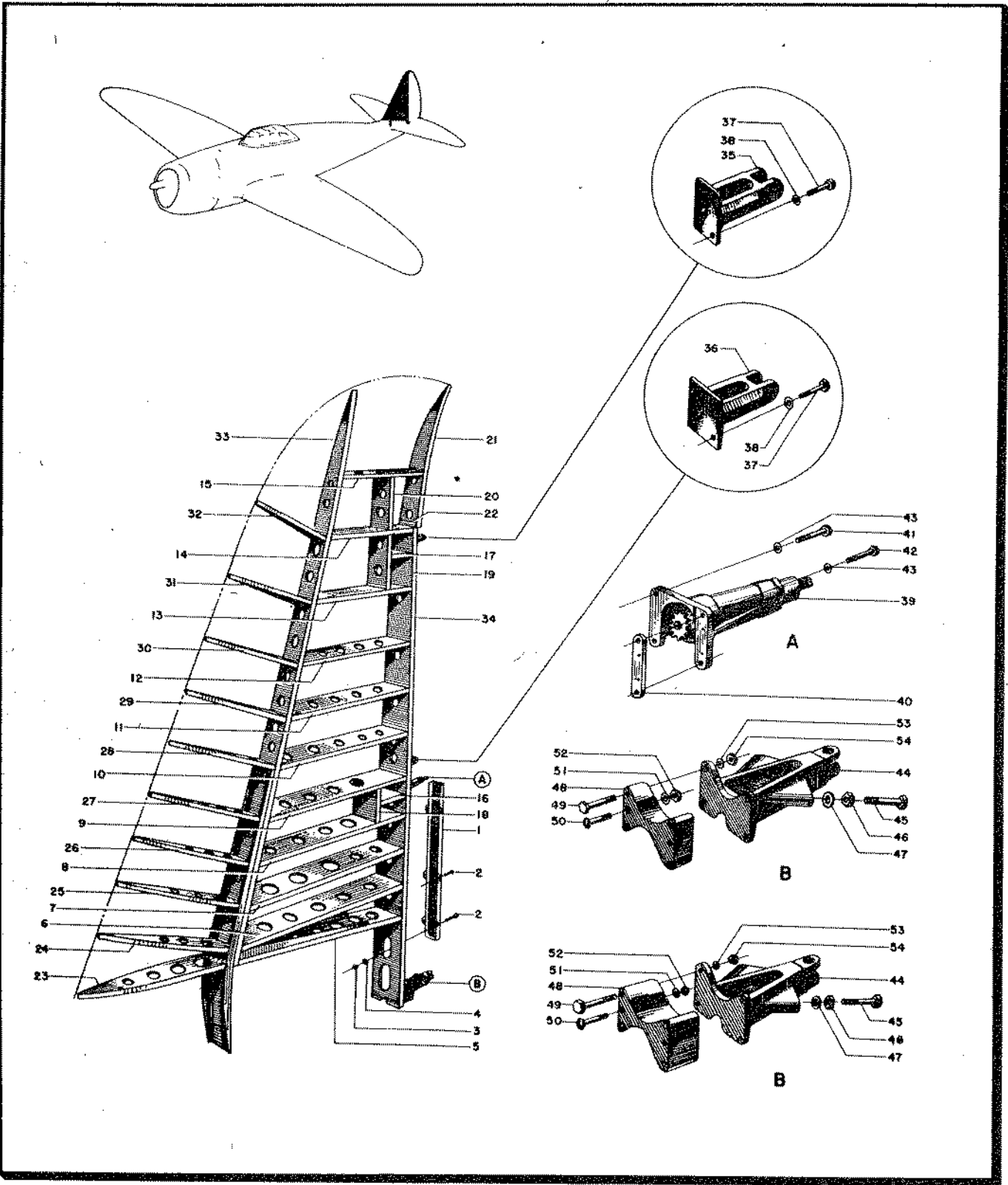


Figure 109—Fin

RESTRICTED
AN 01-65BC-4
SECTION II—GROUP ASSEMBLY PARTS LISTS

FIG. NO.	INDEX NO.	STOCKED	GROUP		EMPENNAGE						UNITS PER ASSY	PROPERTY CLASSIFICATION			
			MAJOR ASSEMBLY		FIN ASSEMBLY							U.S. NAVY	U.S. ARMY	BRITISH	
			PART NUMBER		1	2	3	4	5	6					NOMENCLATURE
104	34		89J55000									1			
109	1		89J55110									1			
109	2		AN500-8-12									6		29	
109	3		AN365-832									6		04-A	
109	4		AN960-D8									6		04-A	
Ref.			89J55101									1			
109	5		89J55121									1			
109	6		89J55122									1			
109	7		89J55123									1			
109	8		89J55124									1			
109	9		89J55125									1			
109	10		89J55126									1			
109	11		89J55127									1			
109	12		89J55128									1			
109	13		89J55129									1			
109	14		89J55130									1			
109	15		89J55131									1			
109	16		89J55132									1			
109	17		89J55133									1			
109	18		89J55134									1			
109	19		89J55135									1			
109	20		89J55136									1			
109	21		89J55137									1			
109	22		89J55159									1			
Ref.			89J55102									1			
109	23		89J55111									1			
109	24		89J55112									1			
109	25		89J55113									1			
THE PART NUMBER APPEARING AFTER "REF." IN THE "FIG.NO." COLUMN IS USED FOR BREAKDOWN PURPOSES ONLY, AND IS NOT TO BE ORDERED AS A PART.															

Unless otherwise noted all parts are in class 01-N.

RESTRICTED

AN 01-69BC-4

SECTION II—GROUP ASSEMBLY PARTS LISTS

FIG. NO.	INDEX NO.	GROUP	EMPENNAGE						UNITS PER ASSY	PROPERTY CLASSIFICATION			
			MAJOR ASSEMBLY			FIN ASSEMBLY				U.S. NAVY	U.S. ARMY	BRITISH	
			PART NUMBER	1	2	3	4	5					6
109	26	89J55114							Nose Rib	1			
109	27	89J55115							Nose Rib	1			
109	28	89J55116							Nose Rib	1			
109	29	89J55117							Nose Rib	1			
109	30	89J55118							Nose Rib	1			
109	31	89J55119							Nose Rib	1			
109	32	89J55120							Nose Rib	1			
109	33	89J55103							Spar - Front	1			
109	34	89J55104-50							Spar Assembly - Fin Rear (P-47B, P-47C-RE)	1			
109	34	89J55104-51							Spar Assembly - Fin Rear (P-47C-1-RE, P-47C-2-RE)	1			
109	34	89J55104-52							Spar Assembly - Fin Rear (P-47C-5-RE)	1			
109	34	93J55104							Spar Assembly - Fin Rear (P-47D)	1			
109	35	89J55105							Hinge Assembly	1			
109	36	89J55106							Hinge Assembly	1			
109	37	AN4-7A							Bolt	8		04-A	
109	38	AN960-D416							Washer	8		04-A	
109	39	89J55108-10							Housing Assembly (P-47B, P-47C)	1			
109	39	89J55108-20							Housing Assembly (P-47D)	1			
109	40	89J55108-1							Shim	1			
109	41	AN3-7A							Bolt	2		04-A	
109	42	AN3-11A							Bolt	2		04-A	
109	43	AN960-D10							Washer	4		04-A	
109	44	89J55107							Hinge Assembly (P-47B, P-47C)	1			
109	44	93J55101							Hinge Assembly (P-47D)	1			

Unless otherwise noted all parts are in class 01-N.

RESTRICTED
AN 01-65BC-4
SECTION II—GROUP ASSEMBLY PARTS LISTS

FIG. NO.	INDEX NO.	S T O C K E D	GROUP						UNITS PER ASSY	PROPERTY CLASSIFICATION				
			MAJOR ASSEMBLY			EMPENNAGE				U.S. NAVY	U.S. ARMY	BRITISH		
			PART NUMBER	1	2	3	4	5					6	NOMENCLATURE
109	45		89081-5-12								2		04-A	
109	46		AN315-5R								2		04-A	
109	47		AN960-D516								2		04-A	
109	48		89J55146-1								1		01-N	
109	48		89J55146-2								1		01-N	
109	49		AN4-17A								2		04-A	
109	49		AN4-25A								2		04-A	
109	50		AN23-19A								1		04-A	
109	51		AN960D10								2		04-A	
109	52		AN365-1032								2		04-A	
109	53		AN960-D416								2		04-A	
109	54		AN365-428								2		04-A	

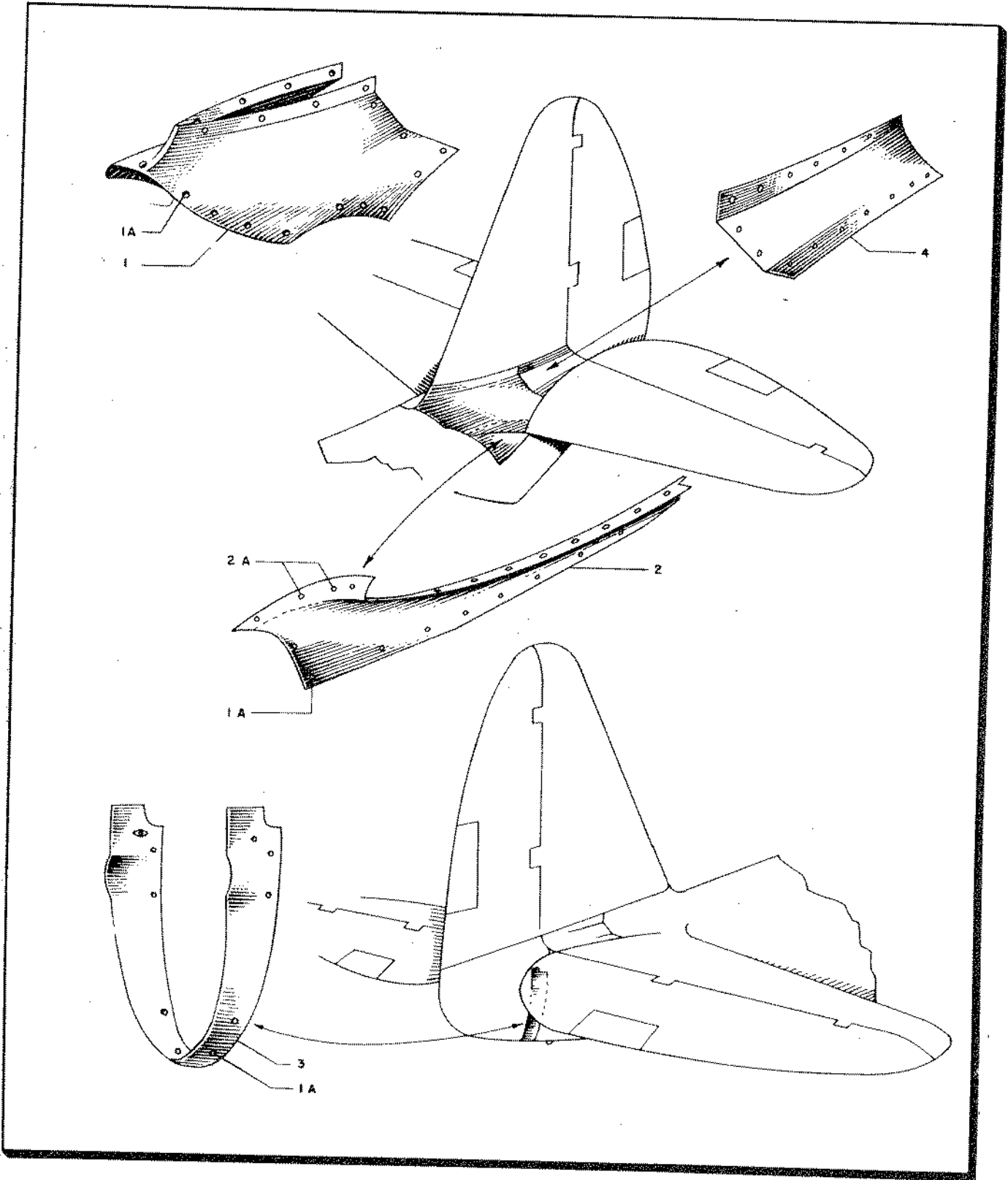


Figure 110—Empennage Fillets

RESTRICTED
AN 01-65BC-4
SECTION II—GROUP ASSEMBLY PARTS LISTS

FIG. NO.	INDEX NO.	SYMBOL C K E D	GROUP EMPENNAGE						UNITS PER ASSY	PROPERTY CLASSIFICATION			
			MAJOR ASSEMBLY INSTALLATION EMPENNAGE FILLETS							U.S. NAVY	U.S. ARMY	BRITISH	
			PART NUMBER	1	2	3	4	5					6
2	26		89X56000							1		01-N	
110	1		89X56101										
110	1A		AN 526-1032-10							31		29	
110	2		89X56104										
110	2A		366F1032							1L/R		01-N	
110	3		89X56105							2		04-A	
110	4		89X56106							1		01-N	
110										1		01-N	

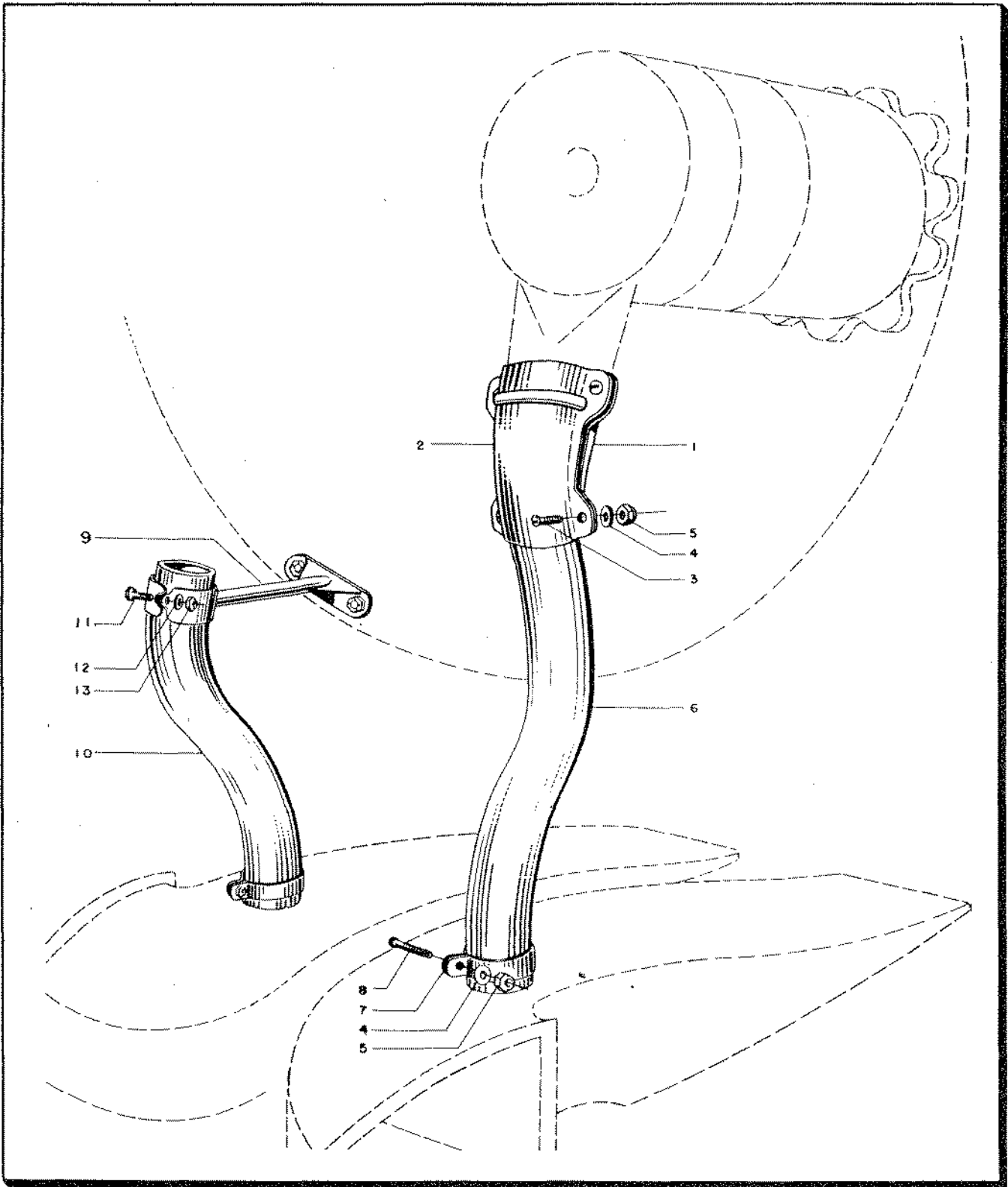


Figure 111—Installation—Cooling Duct and Engine Accessories

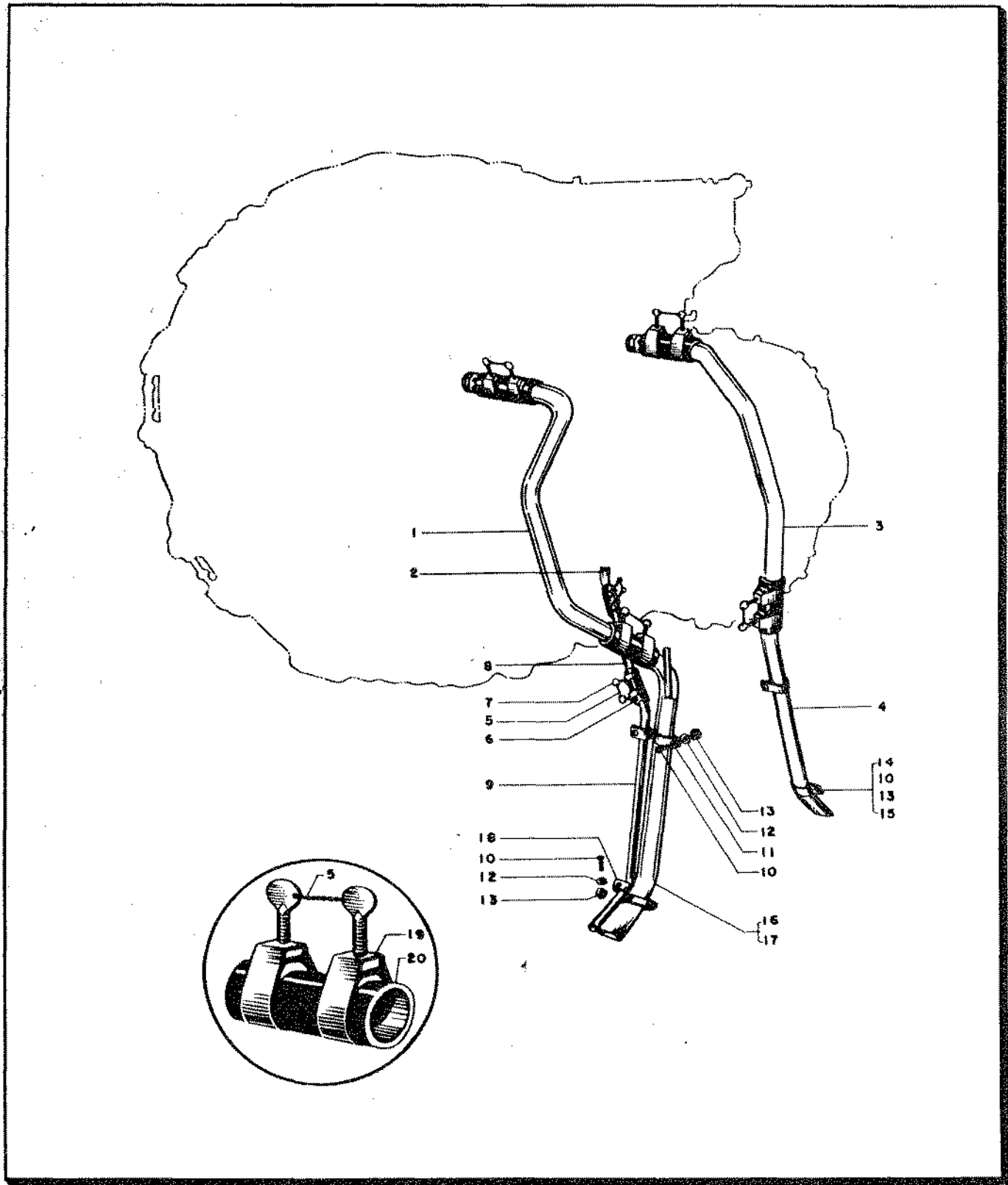
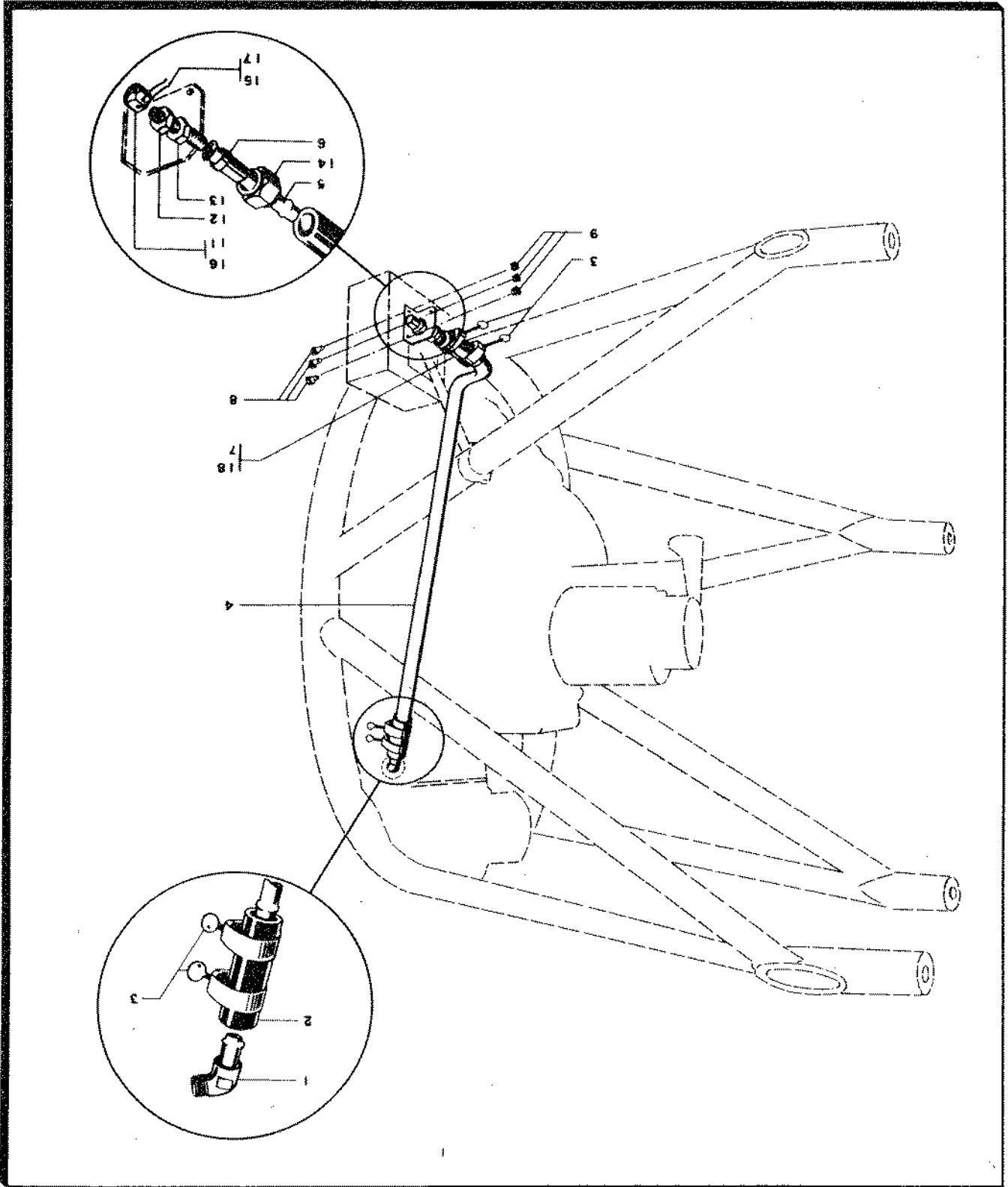


Figure 112—Installation—Crankcase Vent and Supercharger Drain

RESTRICTED
AN 01-65BC-4
SECTION II—GROUP ASSEMBLY PARTS LISTS

FIG. NO.	INDEX NO.	STOCKED	GROUP POWER PLANT						UNITS PER ASSY	PROPERTY CLASSIFICATION				
			MAJOR ASSEMBLY INSTALLATION CRANKCASE VENT AND SUPERCHARGER							U.S. NAVY	U.S. ARMY	BRITISH		
			PART NUMBER	1	2	3	4	5					6	NOMENCLATURE
			89P61107-1								1		01-N	
			89P61107-2-3								1		01-N	
112	1		89P61101-1								1		01-N	
112	2		AN844-8D								1		04-A	
112	3		89P61101-2								1		01-N	
112	4		89P61101-4								1		01-N	
112	5		AN995-041-8								6		04-A	
112	6		AN884-8-12								2		04-B	
112	7		FB8A								4		04-A	
112	8		89P61101-5								1		01-N	
112	9		89P61101-6								1		01-N	
112	10		AN515-8-10								5		29	
112	11		S-9795-10								1		01-N	
112	12		AN960-8								3		04-A	
112	13		AN365-832								6		04-A	
112	14		S-9795-16								2		01-N	
112	15		AN960-8								2		04-A	
112	16		89P61101-3								1		01-N	
112	17		89P61108-4								1		01-N	
112	18		S-9795-8								2		01-N	
112	19		FB16A								8		04-A	
112	20		AN884-16-12								2		04-B	

Figure 113—Installation—Propane System



RESTRICTED
AN 01-65B0-4
SECTION II—GROUP ASSEMBLY PARTS LISTS

FIG. NO.	INDEX NO.	STOCK NO.	GROUP		POWER PLANT						UNITS PER ASSY	PROPERTY CLASSIFICATION			
			MAJOR ASSEMBLY		PROPANE SYSTEM							U.S. NAVY	U.S. ARMY	BRITISH	
			PART NUMBER	1	2	3	4	5	6	NOMENCLATURE					
			89P61902-6									1		01-N	
			89P61902-7									1		01-N	
113	1		AN844-10-D									1		04-A	
113	2		AN884-10-15									1		04-B	
113	3		FB-10A									4		04-A	
113	4		89P61902-1									1		01-N	
113	5		89P61902-2									1		01-N	
113	6		811-T-10C8									1		04-A	
113	7		AN884-10-15									1		04-B	
113	8		AN3-3A									3		04-A	
113	9		AN365-1032									3		04-A	
			89P64166-3									1		01-N	
113	11		10-FNT-D									1		04-A	
113	12		3115-1HT-10D									1		04-A	
113	13		11-1039-1-14D									1		04-A	
113	14		AN811-BT-10D									1		04-A	
113	15		AN995-41-4									1		04-A	
113	16		93P61101									1		01-N	
113	17		AN995-41-8									1		04-A	
113	18		AN884-10-12									1		04-B	

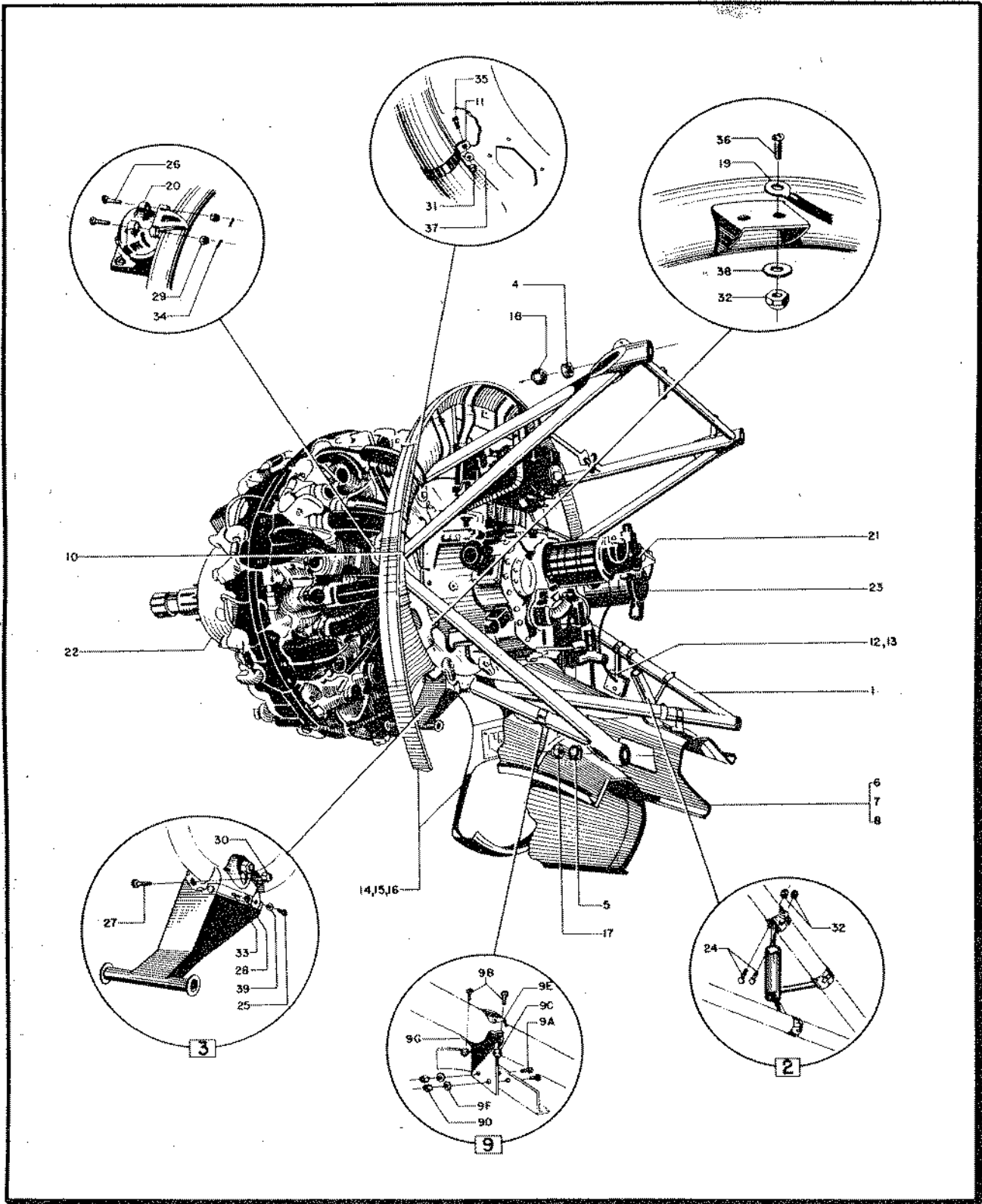


Figure 114—Installation—Engine and Engine Mount

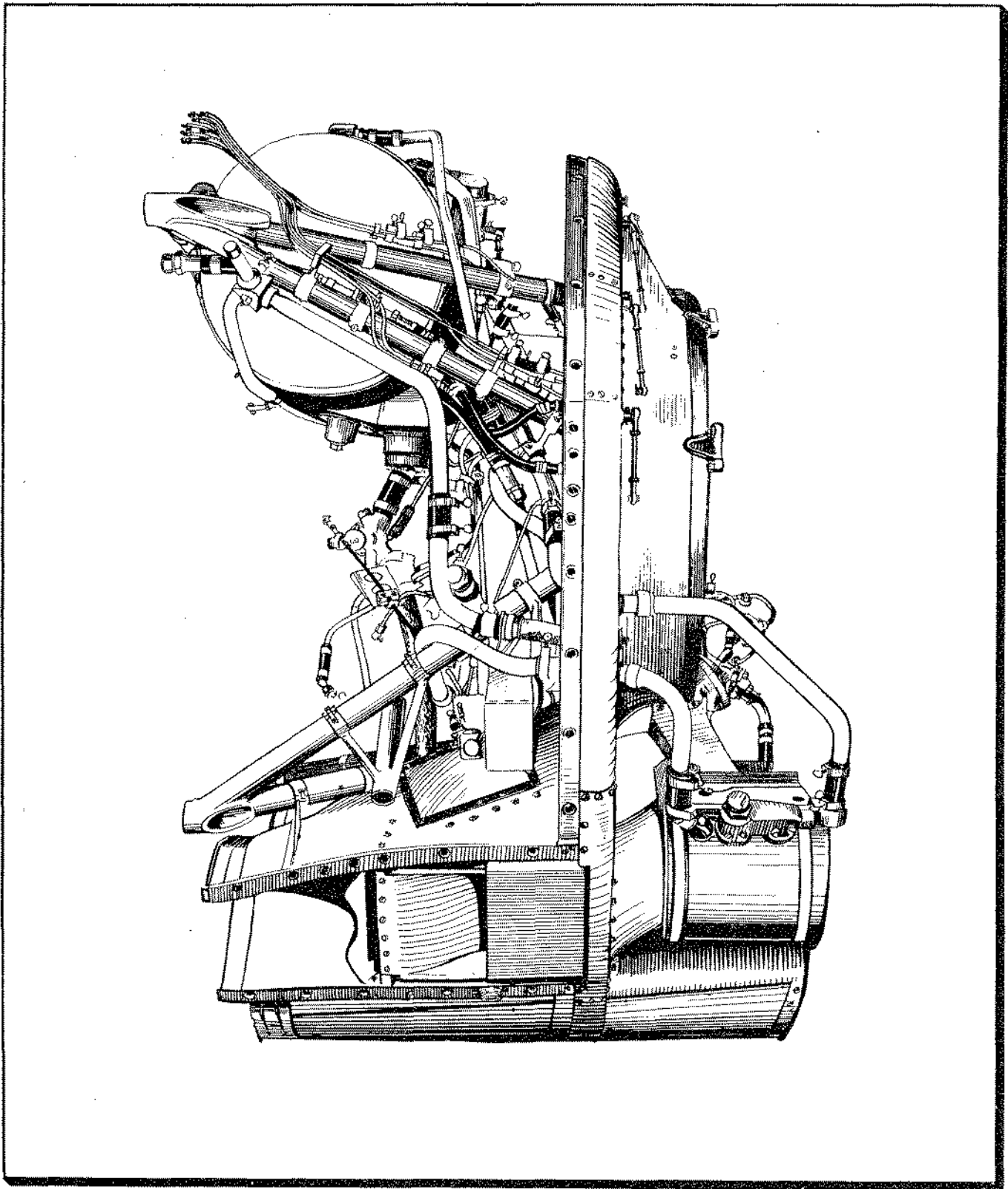


Figure 114A—Engine Stand Assembly Complete

RESTRICTED
AN 01-65BC-4
SECTION II—GROUP ASSEMBLY PARTS LISTS

FIG. NO.	INDEX NO.	S T O C K E D	GROUP POWER PLANT						UNITS PER ASSY	PROPERTY CLASSIFICATION			
			MAJOR ASSEMBLY PART NUMBER	QUICK CHANCE UNIT (SPARES ONLY)						U.S. NAVY	U.S. ARMY	BRITISH	
				1	2	3	4	5					6
114A			89P61500-2									Unless otherwise noted all parts are in class 01-N.	
114A			89P61500-3										
114A			89P61500-4										
114A			89P61500-5										
114A			89P61500-6										
114A			89P61500-7										
114A			93P61500-1										
			NOTE: POWER PLANT QUICK CHANGE UNIT INCLUDING ALL PARTS NECESSARY TO MAKE ATTACHMENT TO AIRPLANE ASSEMBLED AS COMPLETE AS POSSIBLE, LESS G.F.E., FOR SPARES PROCUREMENT ONLY.										
114													
119													
120													
141													
123													
131													
81													
134													
116													
162													
181													
160	29												
112													

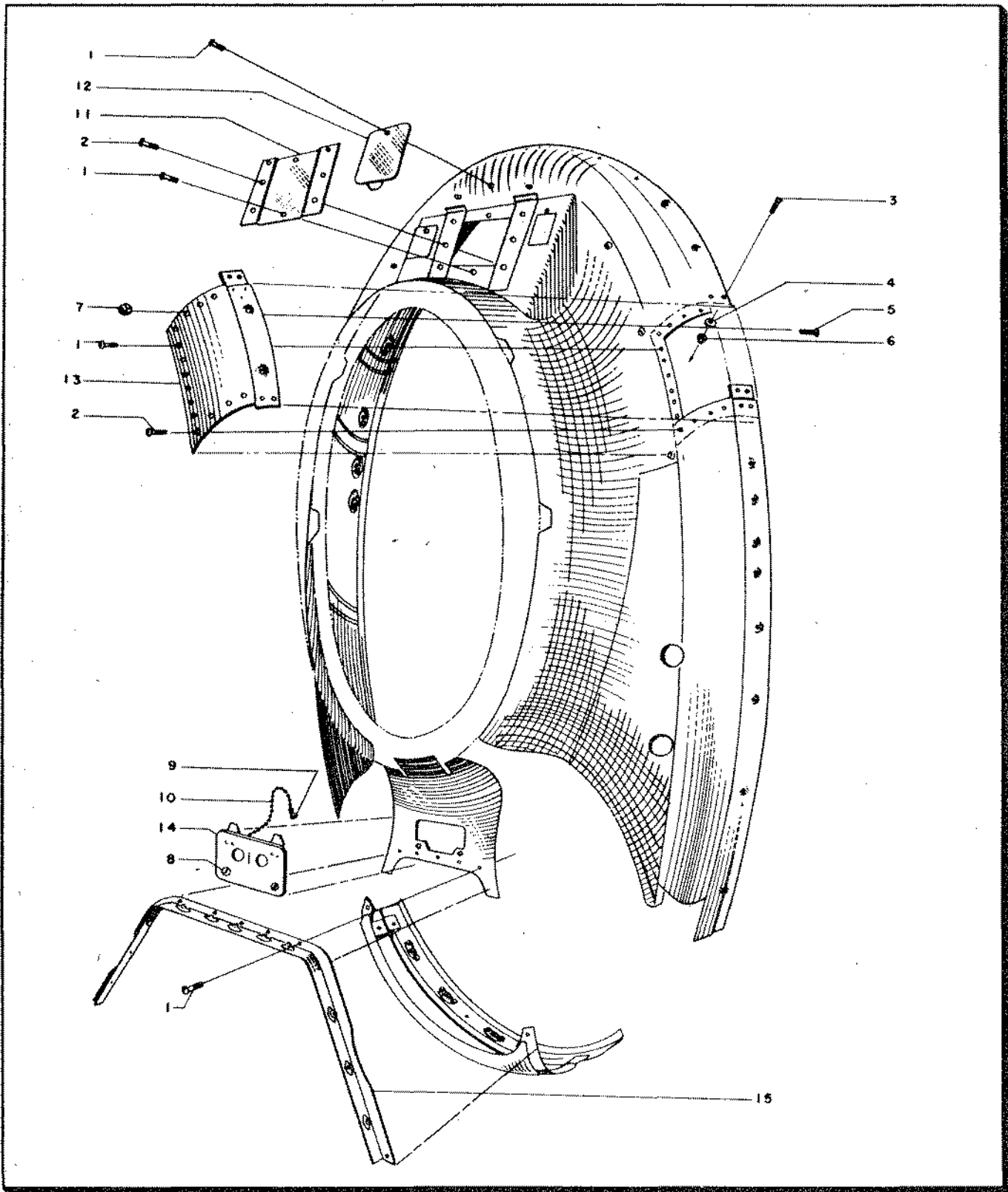


Figure 115—Preheater Assembly

RESTRICTED
AN 01-65BC-4

SECTION II—GROUP ASSEMBLY PARTS LISTS

FIG. NO.	INDEX NO.	S T O C K E D	GROUP POWER PLANT						UNITS PER ASSY.	PROPERTY CLASSIFICATION												
			MAJOR ASSEMBLY			PREHEATER ASSEMBLY				U.S. NAVY	U.S. ARMY	BRITISH										
			PART NUMBER	1	2	3	4	5					6	NOMENCLATURE								
114	14		89P62110														Preheater Assembly			01-N		
115	1		AN526-1032-8														Screw	26			29	
115	2		AN526-1032-10														Screw	20			29	
115	3		AN526-10-4														Screw	4			29	
115	4		AN960-10L														Washer	44			04-A	
115	5		AN526-1032-6														Screw	12			29	
115	6		365-1032														Nut	20			04-A	
115	7		364-1032														Nut	12			04-A	
115	8		3581406-3														Dzus Spring	30			04-A	
115	9		S-318														End	3			01-N	
115	10		S-317-3														Chain	1			01-N	
115	11		89P62110-23														Cover Plate	1			01-N	
115	12		89P62110-29														Door Assembly	2			01-N	
115	13		89P62110-24														Rim and Shoulder Assembly	1L-1R			01-N	
115	14		89P62117														Door Assembly	1			01-N	
115	15		89P62109														Angle	1			01-N	

RESTRICTED

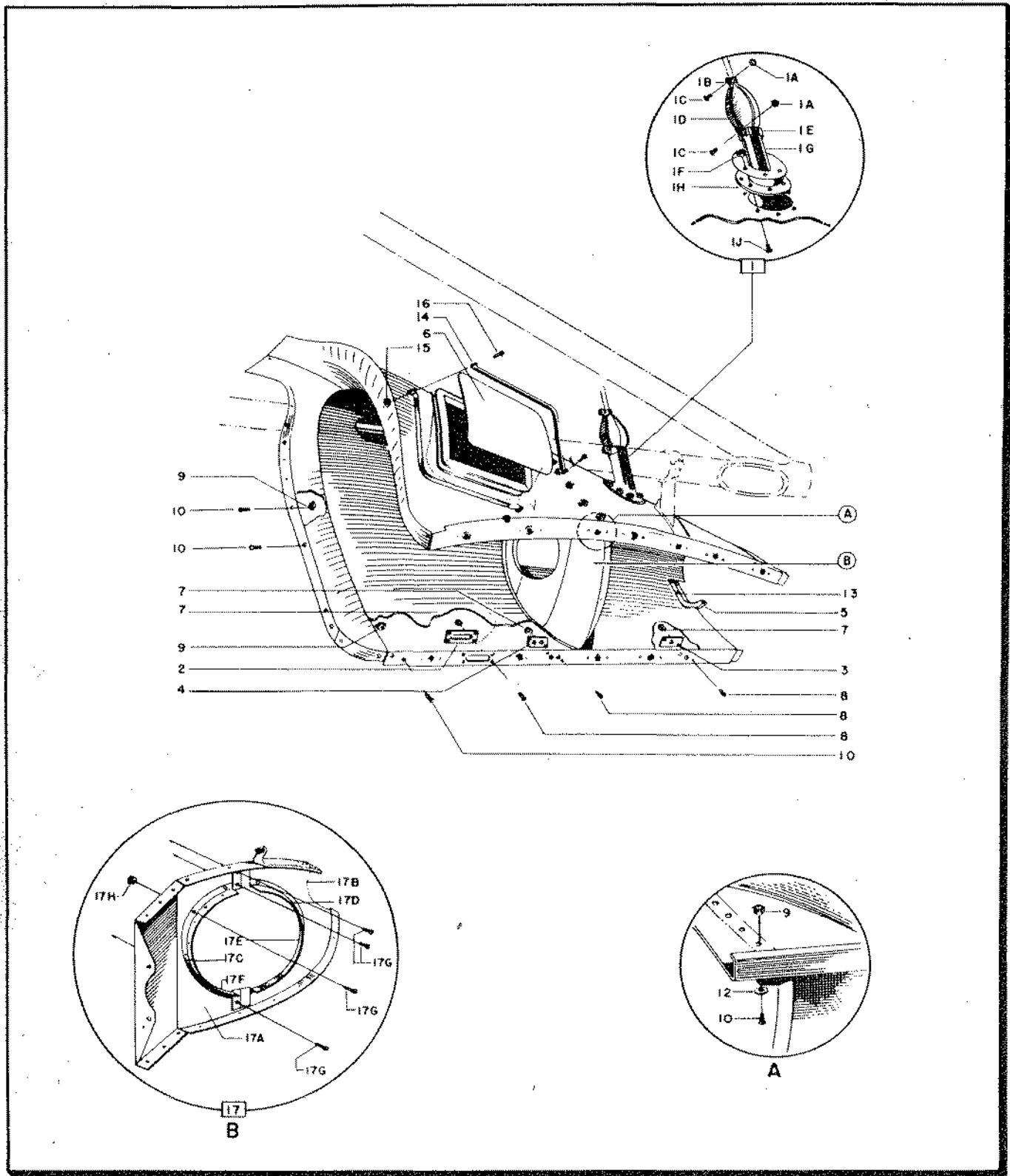
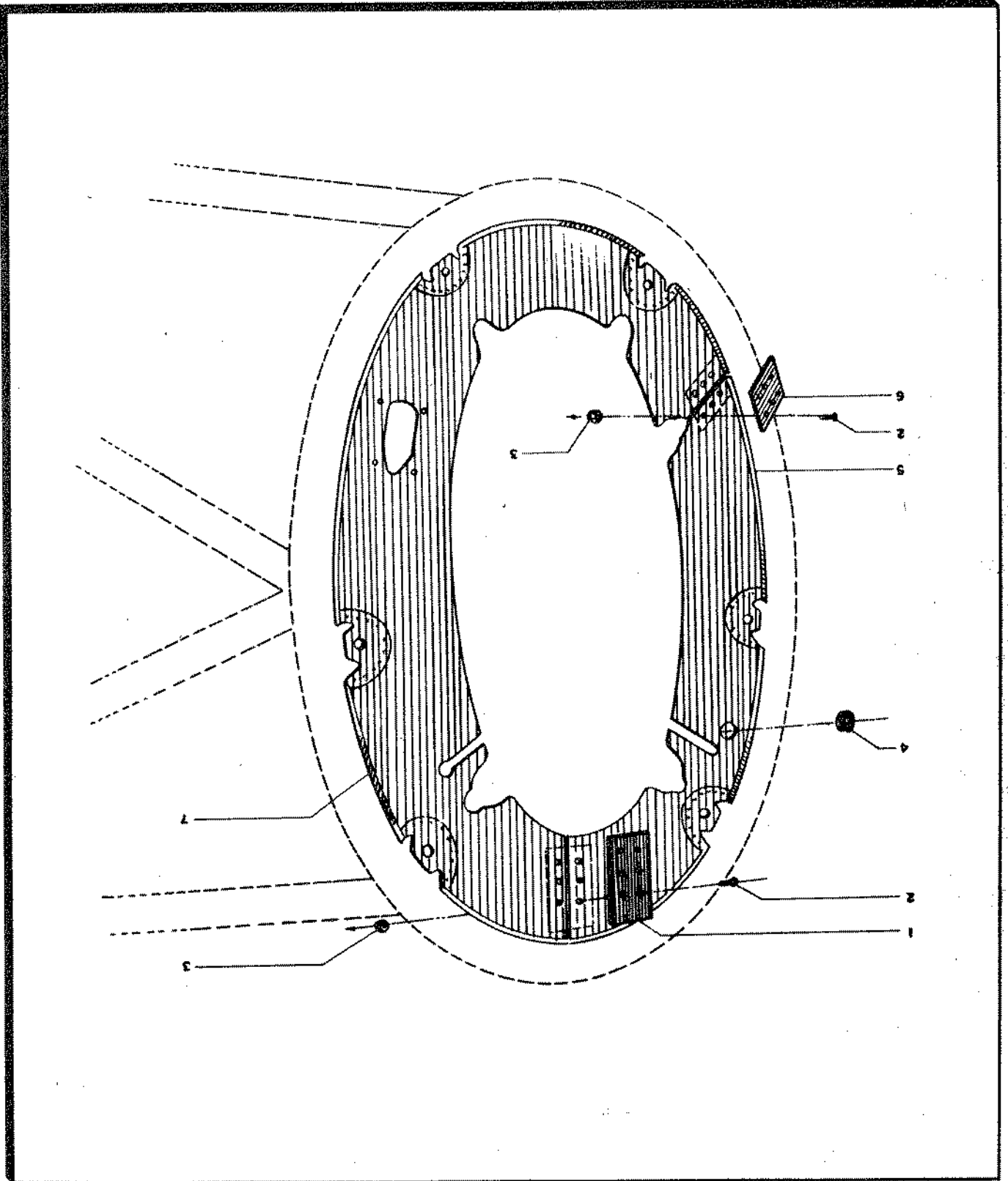


Figure 116—Shroud Assembly—Forward

Figure 117—Baffle Assembly



Section II
Group Assembly Parts List

RESTRICTED
AN 01-6580-4

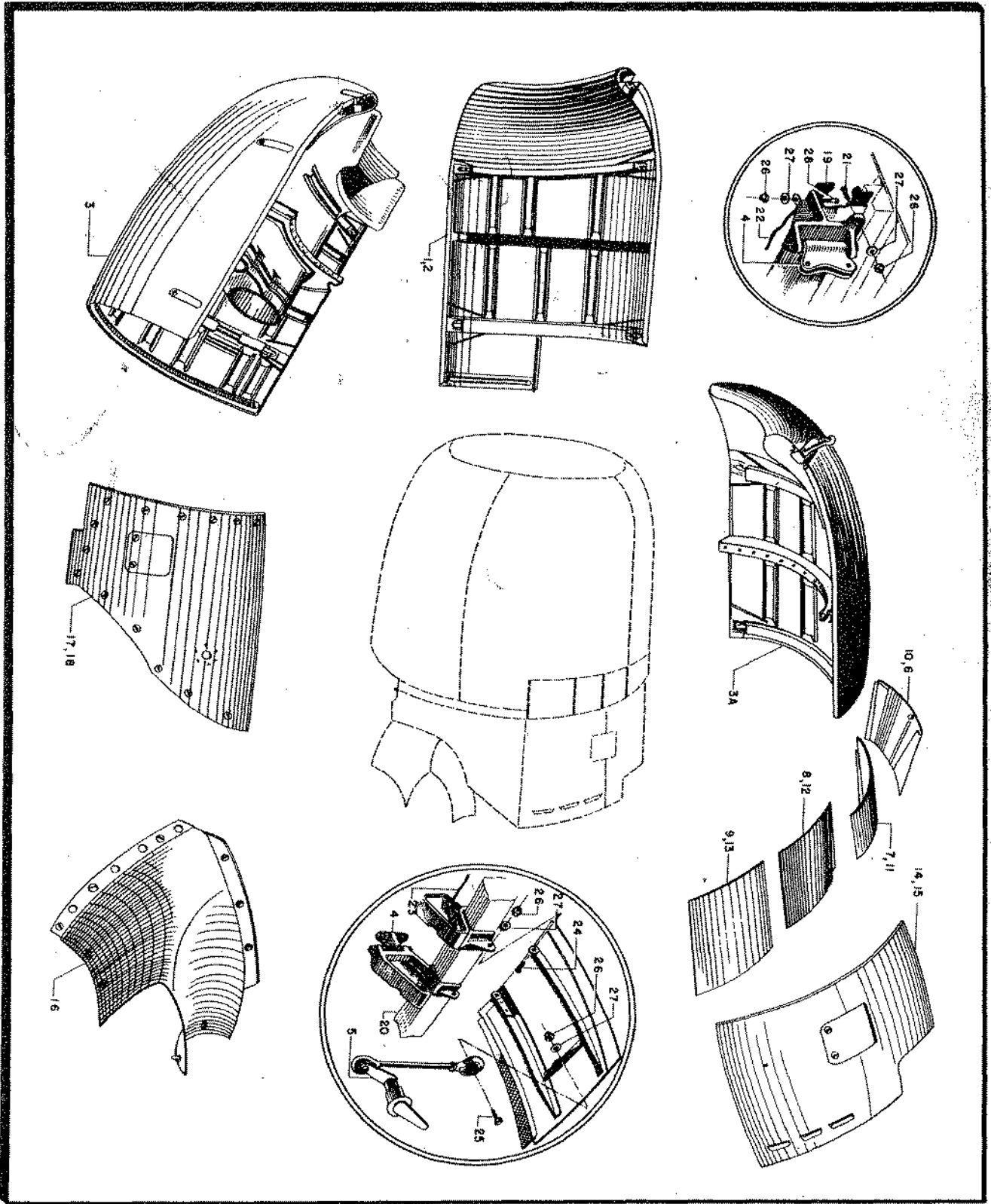


Figure 118—Engine Cowl

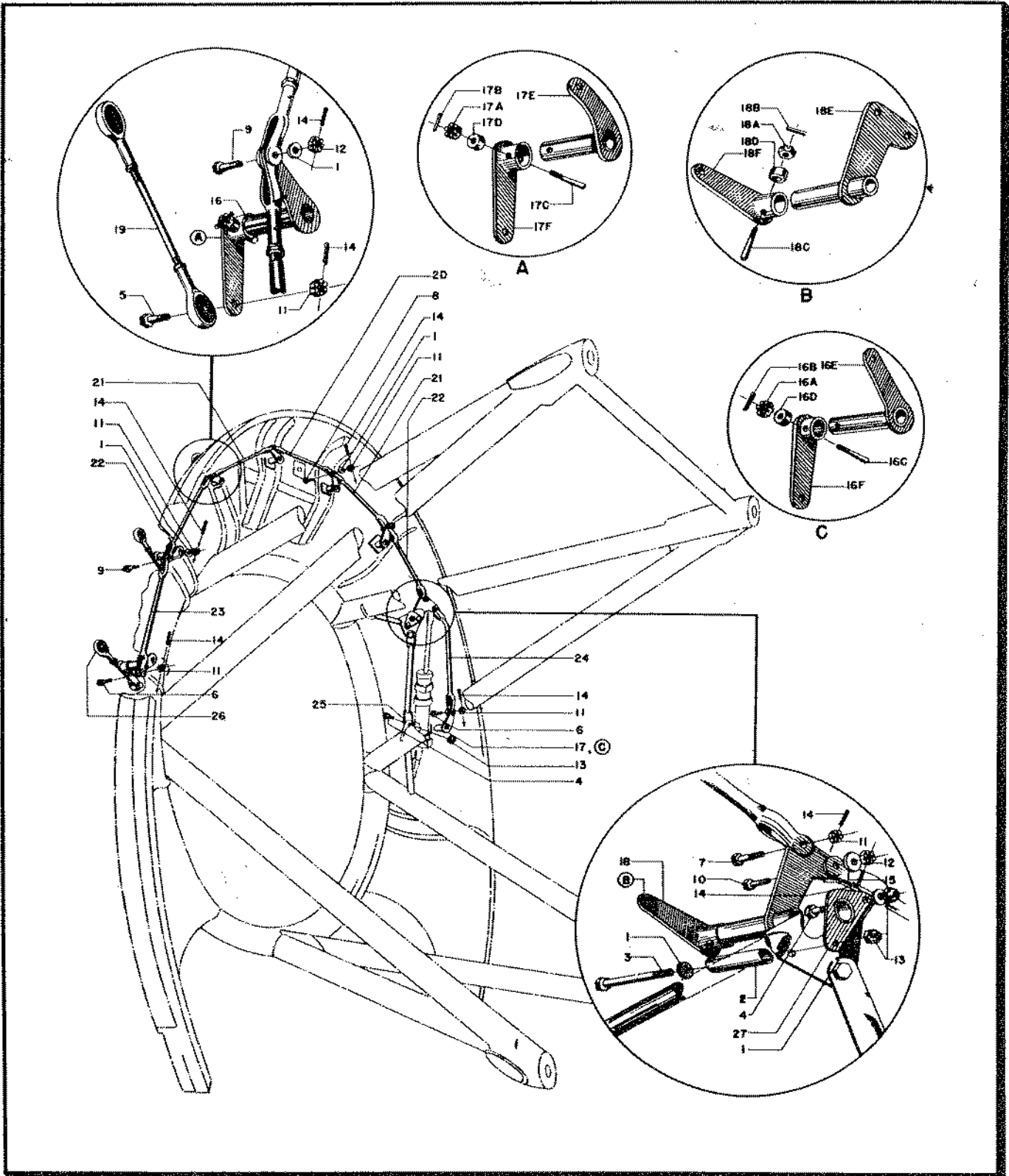


Figure 119—Engine Cowl Flap Mechanism

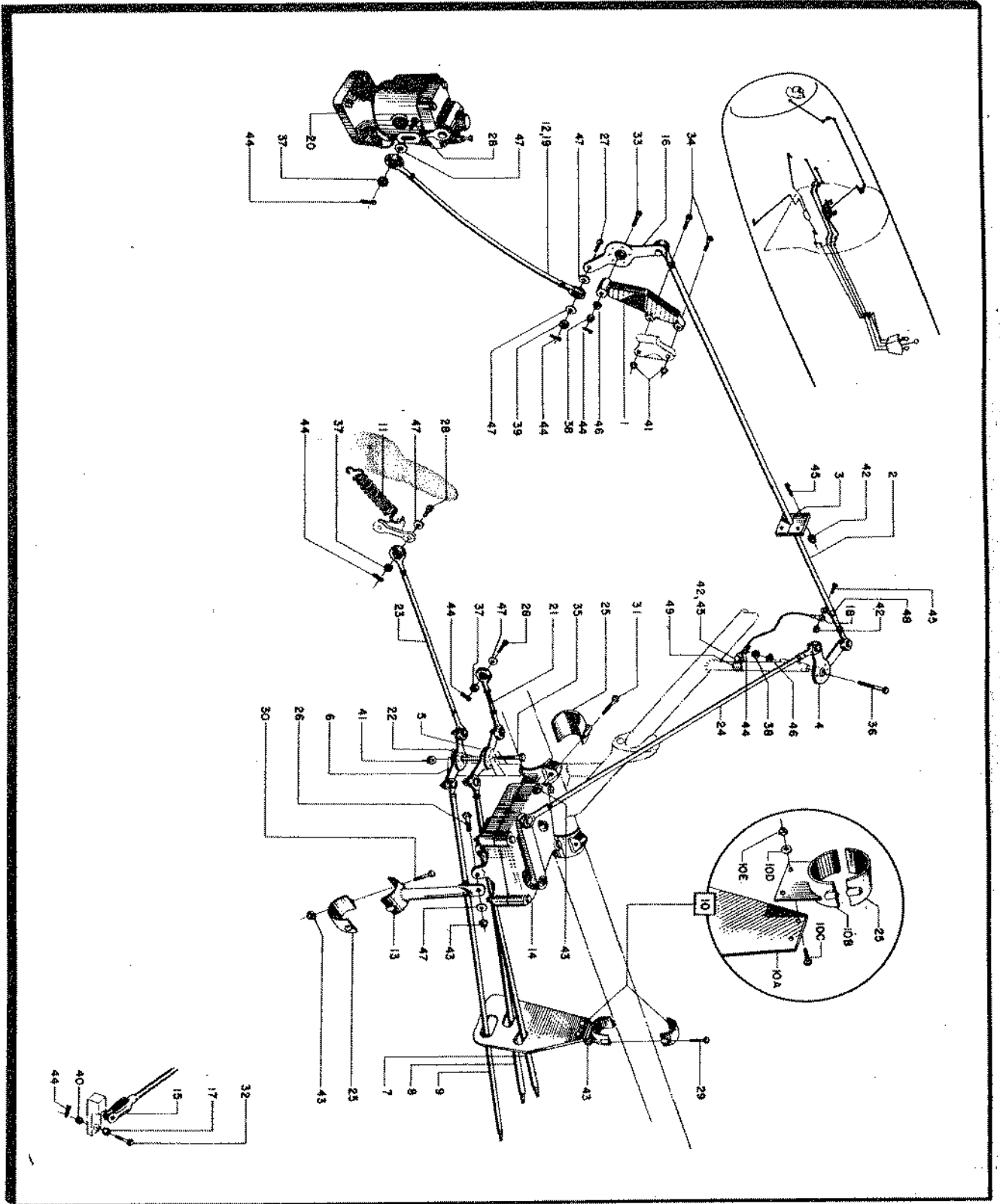


Figure 120—Engine Controls—(Engine Compartment)

RESTRICTED
AN 01-65BC-4
SECTION II—GROUP ASSEMBLY PARTS LISTS

FIG. NO.	INDEX NO.	GROUP	POWER PLANT						UNITS PER ASSY	PROPERTY CLASSIFICATION			
			MAJOR ASSEMBLY	INSTALL ENGINE CONTROLS						U.S. NAVY	U.S. ARMY	BRITISH	
				PART NUMBER	1	2	3	4					5
		89P64002-51							1		01-N		
		89P64002-52							1		01-N		
		89P64002-53							1		01-N		
120	1	89P64112							1		01-N		
120	2	89P64113							1		01-N		
120	3	89P64117							1		01-N		
120	4	89P64119-7							1		01-N		
120	5	89P64120-2							1		01-N		
120	6	89P64120-3							1		01-N		
120	7	89P64132-1							1		01-N		
120	8	89P64132-2							1		01-N		
120	9	89P64132-3							1		01-N		
120	10	89P64135							1		01-N		
120	10A	89P64134							1		01-N		
120	10B	89P64133							1		01-N		
120	10C	AN3-4A							2		04-A		
120	10D	AN 960-10							2		04-A		
120	10E	365-1032							2		04-A		
120	11	89P64136-20							1		01-N		
120	12	89P64145							1		01-N		
120	13	89P64148							1		01-N		
120	14	89P64149							1		01-N		
120	15	89P64162							2		01-N		
120	16	89P64165							1		01-N		
120	17	89P64169							2		01-N		
120	18	3Q6Q							1		08-B		
120	19	93P64101							1		01-N		
120	20	100008-2							1		03-A		
120	21	S-251-2							1		01-N		
120	22	S-9720-4 19/32							1		01-N		
120	23	S-9722-1-10							1		01-N		
120	24	S-9722-1-18							1		01-N		
120	25	S-9724-T028							3		01-N		
120	26	AN 3-5A							1		04-A		
120	27	AN 3-7							10		04-A		
120	28	AN 3-10							3		04-A		
120	29	AN 3-12A							2		04-A		
120	30	AN 3-13A							2		04-A		
120	31	AN 3-14A							4		04-A		
120	32	AN 4-6							2		04-A		
120	33	AN 4-13							1		04-A		
120	34	AN 4-14A							2		04-A		
120	35	AN 4-23A							1		04-A		
120	36	AN 4-30							1		04-A		
120	37	AN 310-3							3		04-A		
120	38	AN 310-4							2		04-A		
120	39	AN 320-3							10		04-A		
120	40	AN 320-4							2		04-A		
120	41	365-428							53		04-A		
120	42	365-832							6		04-A		
120	43	365-1032							9		04-A		
120	44	380-2-2							17		29		
120	45	AN 515-8-7							6		29		
120	46	AN 960-416							2		04-A		
120	47	AN 960-10L							24		04-A		
120	48	735-6							1		04-A		
120	49	735-12							1		04-A		

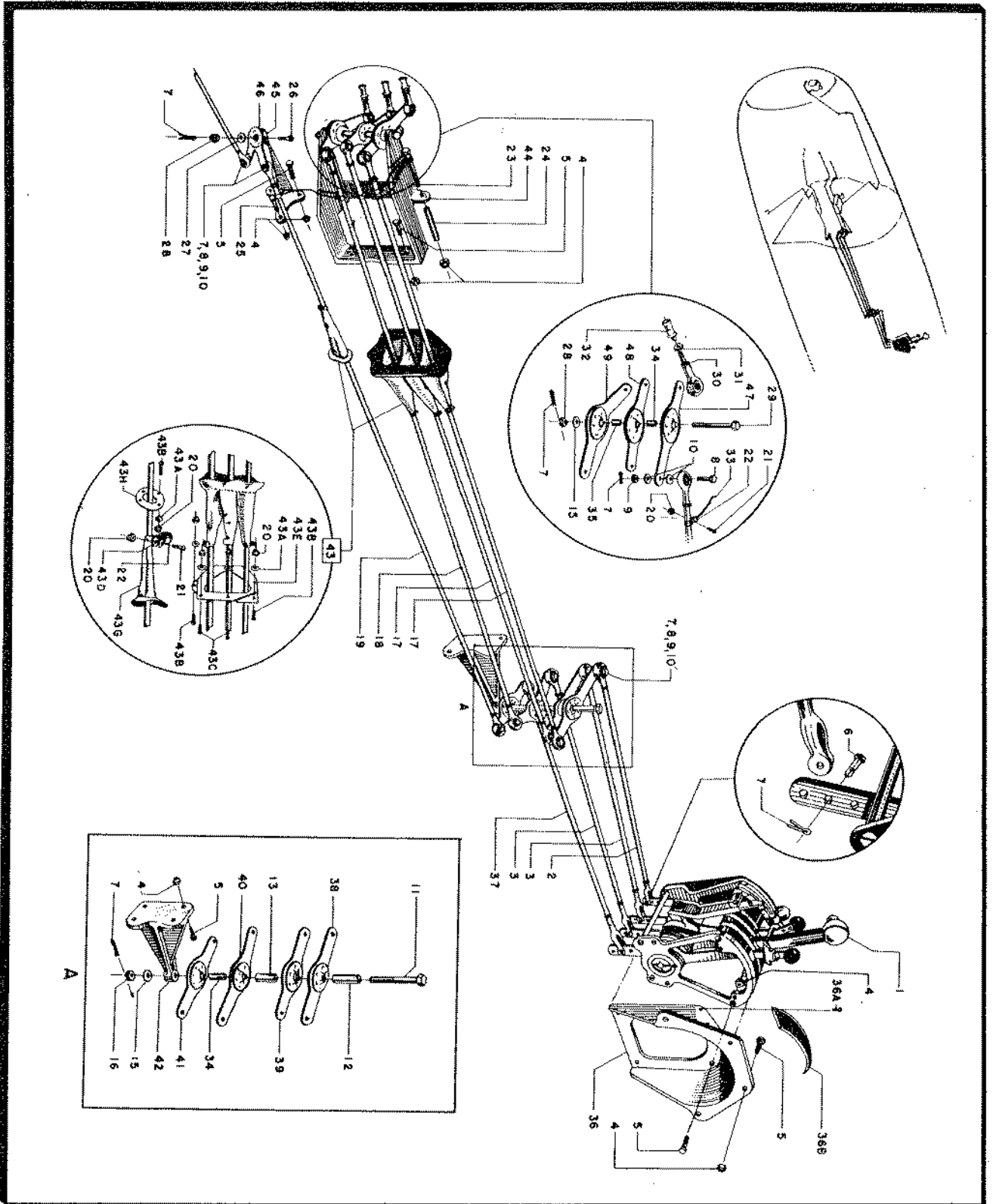


Figure 121—Engine Controls—(Fuselage)

RESTRICTED
AN 01-65BC-4
SECTION II—GROUP ASSEMBLY PARTS LISTS

FIG. NO.	INDEX NO.	STOCKED	POWER PLANT						UNITS PER ASSY	PROPERTY CLASSIFICATION		
			MAJOR ASSEMBLY		INSTALLATION ENGINE CONTROLS					U.S. NAVY	U.S. ARMY	BRITISH
			PART NUMBER	1	2	3	4	5				
			89F64003						1		01-N	
121	1		94200						1		03-J	
121	1		24343						1		03-J	
121	2		S-9723-1-16 7/16						1		01-N	
121	3		S-9723-1-16 3/8						2		01-N	
121	4		AN 365-1032						17		04-A	
121	5		AN 3-5A						16		04-A	
121	6		AN 393-11						4		04-A	
121	7		AN 380-2-2						30		29	
121	8		AN 3-7						16		04-A	
121	9		AN 320-3						16		04-A	
121	10		AN 960-10L						32		04-A	
121	11		AN 4-54						1		04-A	
121	12		S-9720-4-13/16						1		01-N	
121	13		S-9720-4 3/4						1		01-N	
			S-9720-4 1/2						1		01-N	
121	15		AN 960-416						2		04-A	
121	16		AN 310-4						2		04-A	
121	17		S-9722-1-45 7/8						2		01-N	
121	18		S-9722-1-44 5/16						1		01-N	
121	19		S-9722-1-45 5/8						1		01-N	
121	20		AN 365-832						20		04-A	
121	21		AN 515-8-7						8		29	
121	22		AN 735-6						8		04-A	
121	23		AN 3-22A						2		04-A	
121	24		S-9720-3-1 5/8						2		01-N	
121	25		AN 3-6A						1		04-A	
121	26		AN 4-11A						1		04-A	
121	27		AN 960-416L						1		04-A	
121	28		AN 310-4						1		04-A	
121	29		AN 4-35						1		04-A	
121	30		REB-3N						5		04-A	
121	31		AN 316-4R						3		04-A	
121	32		5001-1						3		29	
121	33		BQ4Q						4		08-B	
121	34		S-9720-4 1/2						1		01-N	
121	35		S-9720-4 3/8						1		01-N	
121	36		89F64103						1		01-N	
121	36A		AN 535-6-4						4		29	
121	36B		26729						1		01-N	
121	37		89F64137						1		01-N	
121	38		89P64118-1						1		01-N	
121	39		89P64118-2						1		01-N	
121	40		89P64118-3						1		01-N	
121	41		89P64118-4						1		01-N	
121	42		89P64104						1		01-N	
121	43		89P64109						1		01-N	
121	43A		AN 960-8						8		04-A	
121	43B		AN 515-8-10						6		29	
121	43C		AN 515-8-8						2		29	
121	43D		AN 960-D8						8		04-A	
121	43E		89P64109-1						1		01-N	
121	43F		89P64109-2						1		01-N	
121	43G		89P64109-4						1		01-N	
121	43H		89P64109-5						1		01-N	
121	44		89P64105						1		01-N	
121	45		89F64163						1		01-N	
121	46		89F64147						1		01-N	
121	47		89P64119-1						1		01-N	
121	48		89P64119-2						1		01-N	
121	49		89P64119-3						1		01-N	

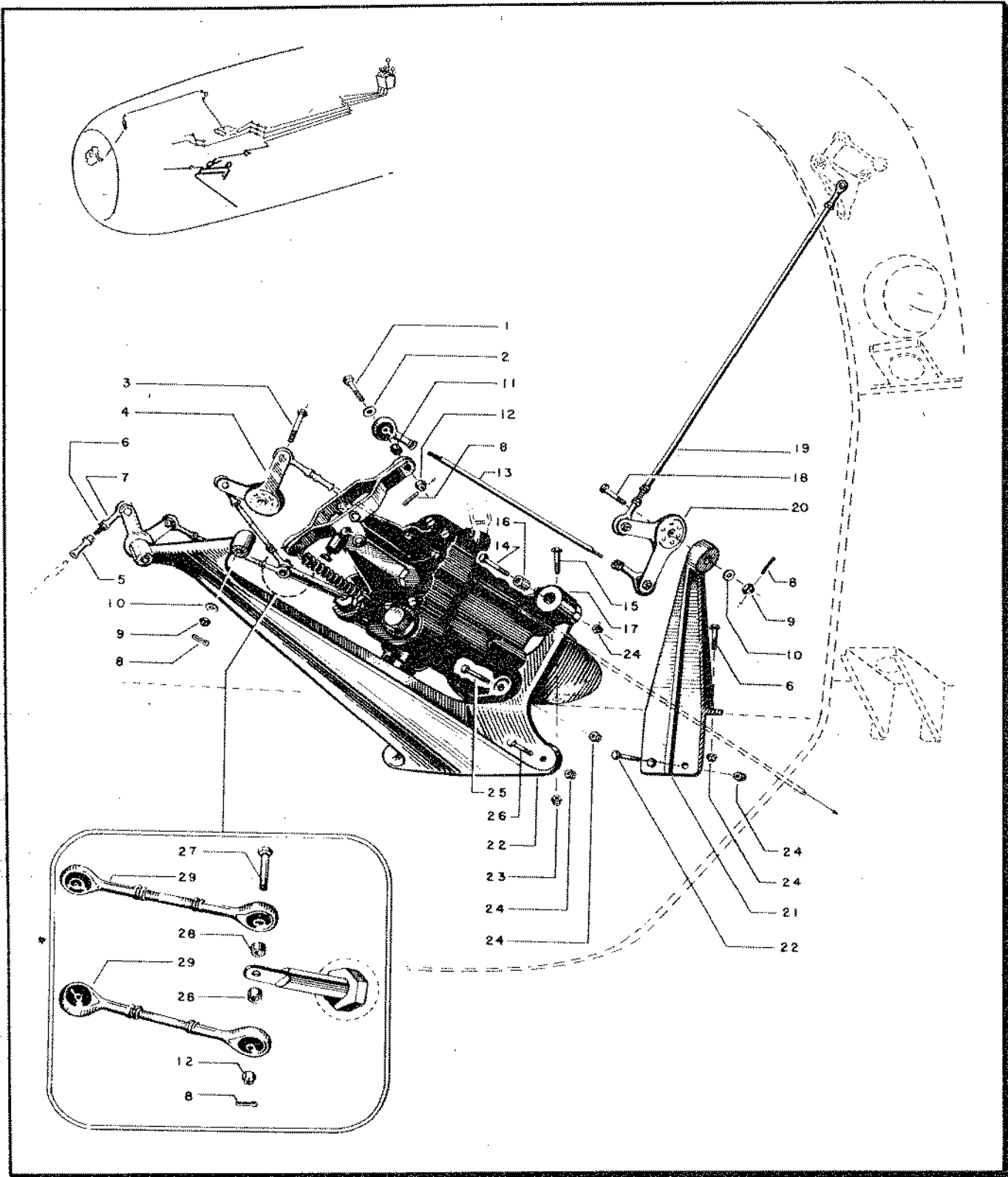


Figure 122—Engine Controls—(Fuselage)

RESTRICTED
AN 01-65B0-4
SECTION II—GROUP ASSEMBLY PARTS LISTS

FIG. NO.	INDEX NO.	STOCKED	GROUP POWER PLANT						UNITS PER ASSY	PROPERTY CLASSIFICATION									
			MAJOR ASSEMBLY INSTALLATION ENGINE CONTROLS FUSELAGE							U.S. NAVY	U.S. ARMY	BRITISH							
			PART NUMBER	1	2	3	4	5					6	NOMENCLATURE					
			89F64003													Installation - Engine Controls Fuselage			01-N
122	1		AN3-11													Bolt	1		04-A
122	2		AN960-10L													Washer	46		04-A
122	3		AN4-16													Bolt	1		04-A
122	4		89P64160													Bellcrank	11-1R		04-A
122	5		5001-1													Collect	5		29
122	6		AN316-4R													Nut	5		04-A
122	7		REB -3N													Bearing	5		04-A
122	8		AN380-2-2													Cotter	33		29
122	9		AN310-4													Nut	5		04-A
122	10		AN960-416													Washer	3		04-A
122	11		89P64123													Bushing	2		01-N
122	12		AN310-3													Nut	3		04-A
122	13		S-9722-1-7½													Rod	1		01-N
122	14		AN5-14A													Bolt	2		04-A
122	15		AN3-10A													Bolt	4		04-A
122	16		89P64122													Bushing	2		01-N
122	17		Type A-17													Super Charger Regulator Eclipse Aviation	1		
122	18		AN4-13													Bolt	1		03-E 04-A
122	19		S-9722-1-18-3/8													Rod	1		01-N
122	20		89P64161													Bellcrank	1		01-N
122	21		89P64107													Bracket	1		01-N
122	22		AN3-13A													Bolt	1		04-A
122	23		365-1032													Nut	19		04-A
122	24		365-524													Nut	5		04-A
122	25		AN5-8A													Bolt	2		04-A
122	26		89P64146													Support Regulator	1		01-N
122	27		AN3-14													Bolt	2		04-A
122	28		89P64123													Bushing	2		01-N
122	29		S-251-2													Rod	2		01-N

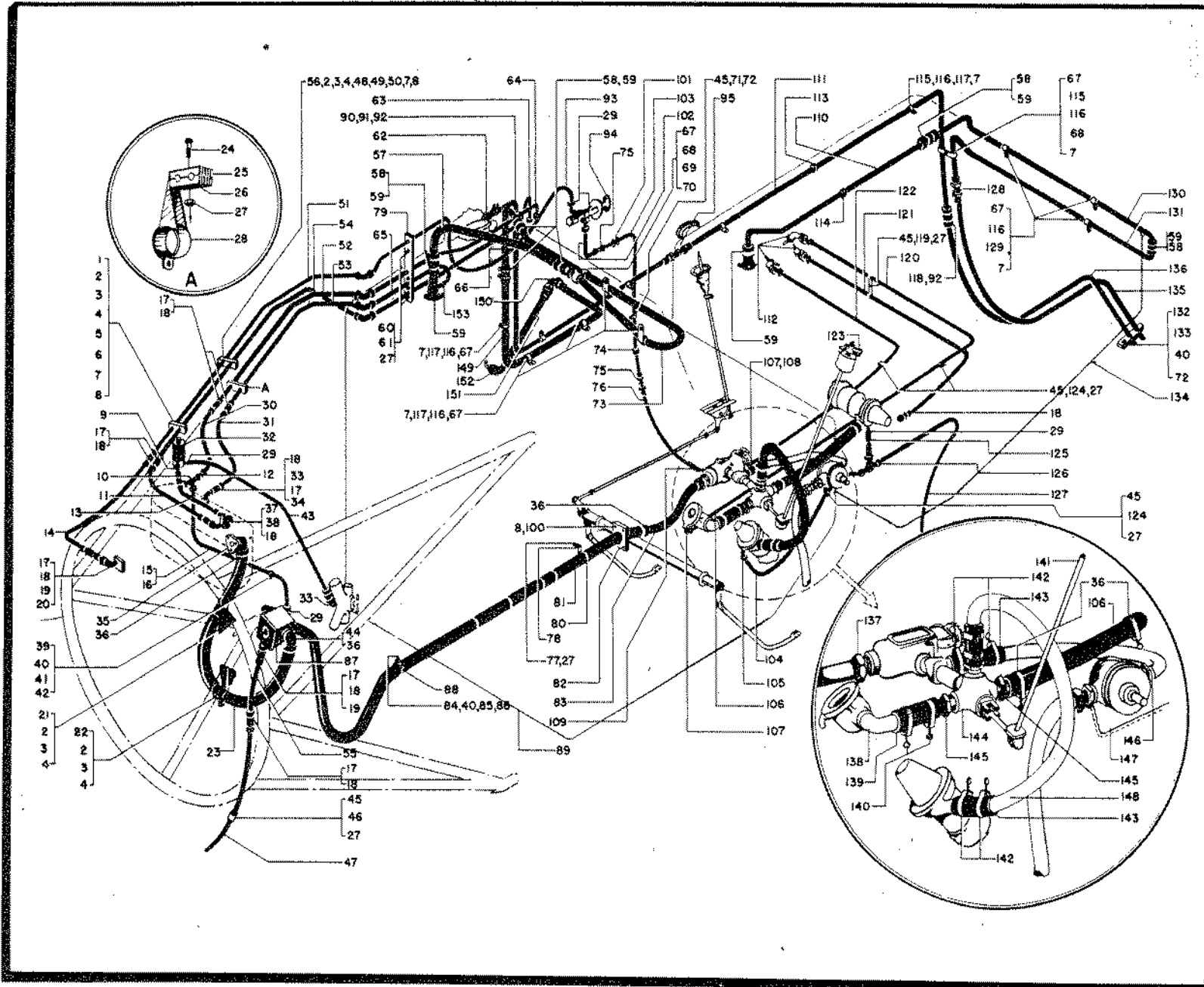


Figure 123—Fuel System

RESTRICTED
AN 01-65BC-4
SECTION II—GROUP ASSEMBLY PARTS LISTS

FIG. NO.	INDEX NO.	S T O C K E D	GROUP POWER PLANT						UNITS PER ASSY	PROPERTY CLASSIFICATION			
			MAJOR ASSEMBLY		INSTALLATION	FUEL LINES	ENGINE	COMPARTMENT		U.S. NAVY	U.S. ARMY	BRITISH	
			PART NUMBER	1	2	3	4	5					6
123	30		89P65166-44							1		01-N	
123	31		89P65166-43							1		01-N	
123	32		89P65180							1		01-N	
123	33		AN844-4D							2		04-A	
123	34		AN915-1D							1		04-A	
123	35		89P66171							1		01-N	
123	36		FB-20A							3		04-A	
123	37		37A3528							1		03-I	
123	38		AN842-4D							2		04-A	
123	39		89P65291							1		01-N	
123	40		365-1032							1		04-A	
123	41		AN515-10-12							1		29	
123	42		AN755-4D							1		04-A	
123	43		89F65166-15							1		01-N	
123	44		AN842-16D							2		04-A	
123	45		S-9795-4							2		01-N	
123	46		AN526-C-832-8							1		29	
123	47		89P65166-28							1		01-N	
123	48		89P65181-2							1		01-N	
123	49		89P65181-1							2		01-N	
123	50		AN515-6-24							2		29	
123	51		89P65166-35							1		01-N	
123	52		89P65166-40							1		01-N	
123	53		89P65166-37							1		01-N	
123	54		89P65166-38							1		01-N	
123	55		89P65166-29							1		01-N	
123	56		89P65182							1		01-N	
			89F65001							1		01-N	
										1		01-N	
123	57		89F65165-45							1		01-N	

RESTRICTED
AN 01-65BC-4
SECTION II—GROUP ASSEMBLY PARTS LISTS

FIG. NO.	INDEX NO.	STOCKED	POWER PLANT						UNITS PER ASSY.	PROPERTY CLASSIFICATION				
			GROUP		MAJOR ASSEMBLY		INSTALLATION FUEL LINES ENGINE COMPARTMENT			U.S. NAVY	U.S. ARMY	BRITISH		
			PART NUMBER	1	2	3	4	5					6	NOMENCLATURE
123	58		AN884-8-12							Hose	6		04-B	
123	59		FB-8A							Clamp (Wittek Mfg. Co.)	13		04-A	
123	60		AN526-832-8							Screw	8		29	
123	61		AN960-D8							Washer	8		04-A	
123	62		89F65177							Contactora	1		01-N	
123	63		89F65165-56							Tube Assembly	1		01-N	
123	64		89F65165-63							Tube Assembly	1		01-N	
123	65		89F35165-53							Tube Assembly	1		01-N	
123	66		89F65165-39							Tube Assembly	1		01-N	
123	67		89695-8							Clip	10		01-N	
123	68		AN515-6-8							Screw	3		29	
123	69		AN340-6-32							Nut	1		29	
123	70		AN935-6							Lockwasher	2		29	
123	71		AN515-10-8							Screw	1		29	
123	72		AN960-D10							Washer	6		04-A	
123	73		89F65165-44							Tube Assembly	2		01-N	
123	74		AN931-4-16							Grommet	4		04-B	
123	75		811-HT-40							Union	2		04-A	
123	76		89F65165-37							Tube Assembly	1		01-N	
123	77		AN515-8-8							Screw	2		29	
123	78		89F65258							Clip	1		01-N	
123	79		89F65286							Bracket	2		01-N	
123	80		AN735-26							Clamp	1		04-A	
123	81		89896418-78							Hose - Self Sealing	1		01-N	
123	82		89F65191							Block	1		01-N	
123	83		89F65165-11							Tube Assembly	1		01-N	
123	84		AN3-11A							Bolt	1		04-A	
123	85		AN960-10							Washer	2		04-A	
123	86		89F84157-1							Bushing	1		01-N	
123	87		Type G-9							Fuel Pump (Government Furnished)	1		03-I	
123	88		755-26							Clamp	5		04-A	

RESTRICTED

RESTRICTED
AN 01-6580-4
SECTION II—GROUP ASSEMBLY PARTS LISTS

FIG. NO.	INDEX NO.	SYMBOL	GROUP POWER PLANT						UNITS PER ASSY	PROPERTY CLASSIFICATION				
			MAJOR ASSEMBLY		INSTALLATION		FUEL LINES			ENGINE COMPARTMENT		U.S. NAVY	U.S. ARMY	BRITISH
			PART NUMBER	1	2	3	4	5		6	NOMENCLATURE			
123	89		89F65105							1		01-N		
123	90		89F65165-40							1		01-N		
123	91		AN884-6-12							2		04-B		
123	92		FB-6A							4		04-A		
123	93		89F65165-56							1		01-N		
123	94		P4CB-1A							1		03-I		
123	95		811-HT-6D							1		04-A		
123	100		AN515-8-12							4		29		
123	101		AN931-4-16							4		04-B		
123	102		89F65165-13							1		01-N		
123	103		89F65165-7							1		01-N		
123	104		89F65165-29							1		01-N		
123	105		811CT45-4D							2		04-A		
123	106		89S96418-12½							1		01-N		
123	107		811CT-4D							4		04-A		
123	108		895-D80							2		04-A		
123	109		811-CT45-4D							2		04-A		
123	110		89F65165-19							1		01-N		
123	111		89F65165-41							1		01-N		
123	112		89F65010							1		01-N		
123	113		AN931-6-10							1		04-B		
123	114		AN931-8-13							1		04-B		
123	115		S9795-6							7		01-N		
123	116		6K45							13		29		
123	117		47B3212							3		04-A		
123	118		AN884-6-12							2		04-B		
123	119		AN515-8-6							4		29		
123	120		89F65165-77							1		01-N		
123	121		89F65165-79							1		01-N		
123	122		89F65165-15							1		01-N		

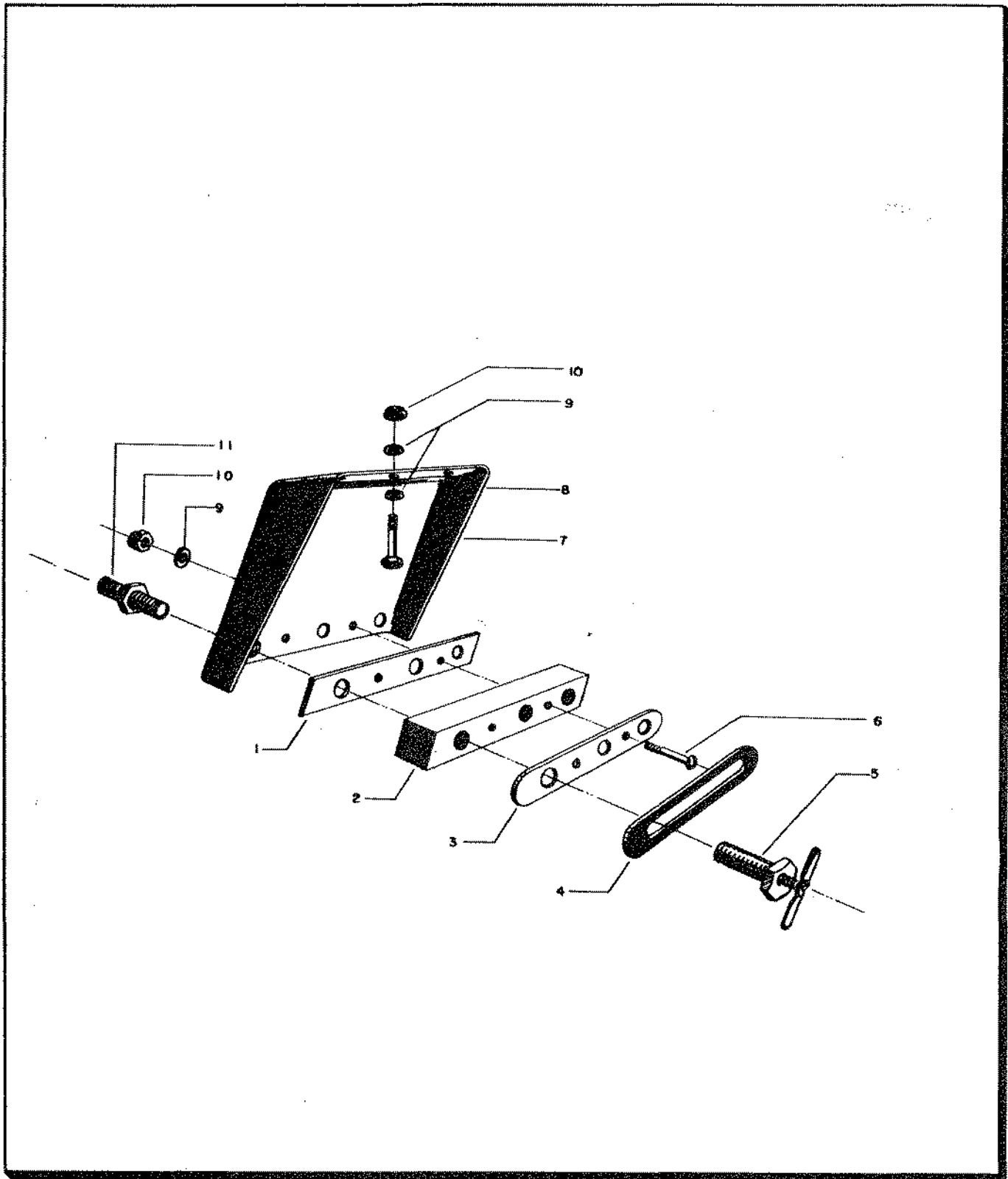


Figure 124—Sump and Strainer Drain Cocks

RESTRICTED

AN 01-65BC-4

SECTION II—GROUP ASSEMBLY PARTS LISTS

FIG. NO.	INDEX NO.	S T O C K E D	GROUP POWER PLANT						UNITS PER ASSY	PROPERTY CLASSIFICATION				
			MAJOR ASSEMBLY		SUMP AND STRAINER DRAIN COCKS					U.S. NAVY	U.S. ARMY	BRITISH		
			PART NUMBER	1	2	3	4	5					6	NOMENCLATURE
123	112		89F65010								5		04-A	
124	1		93F65153								2		04-A	
124	2		93F65141								1		04-A	
124	3		93F65154								1		04-A	
124	4		93F65157								1		04-A	
124	5		AN771-1								3		29	
124	6		AN526-1032-28								2		29	
124	7		AN3-4A								3		04-A	
124	8		93F65156								1		01-N	
124	9		AN960-A10L								8		04-A	
124	10		365-1032								5		04-A	
124	11		811FT-4D								3		04-A	

RESTRICTED

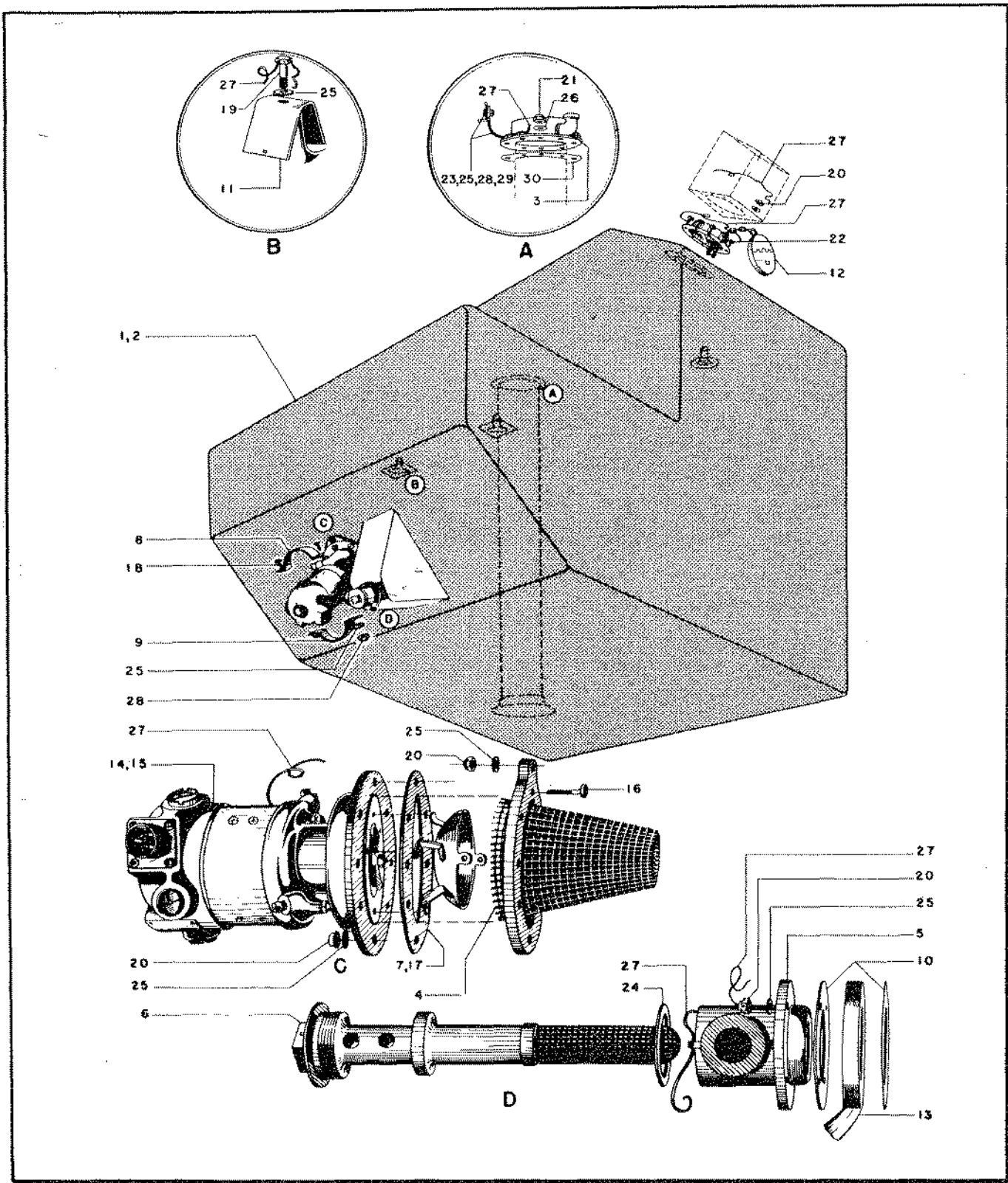


Figure 125—Main Fuel Tank

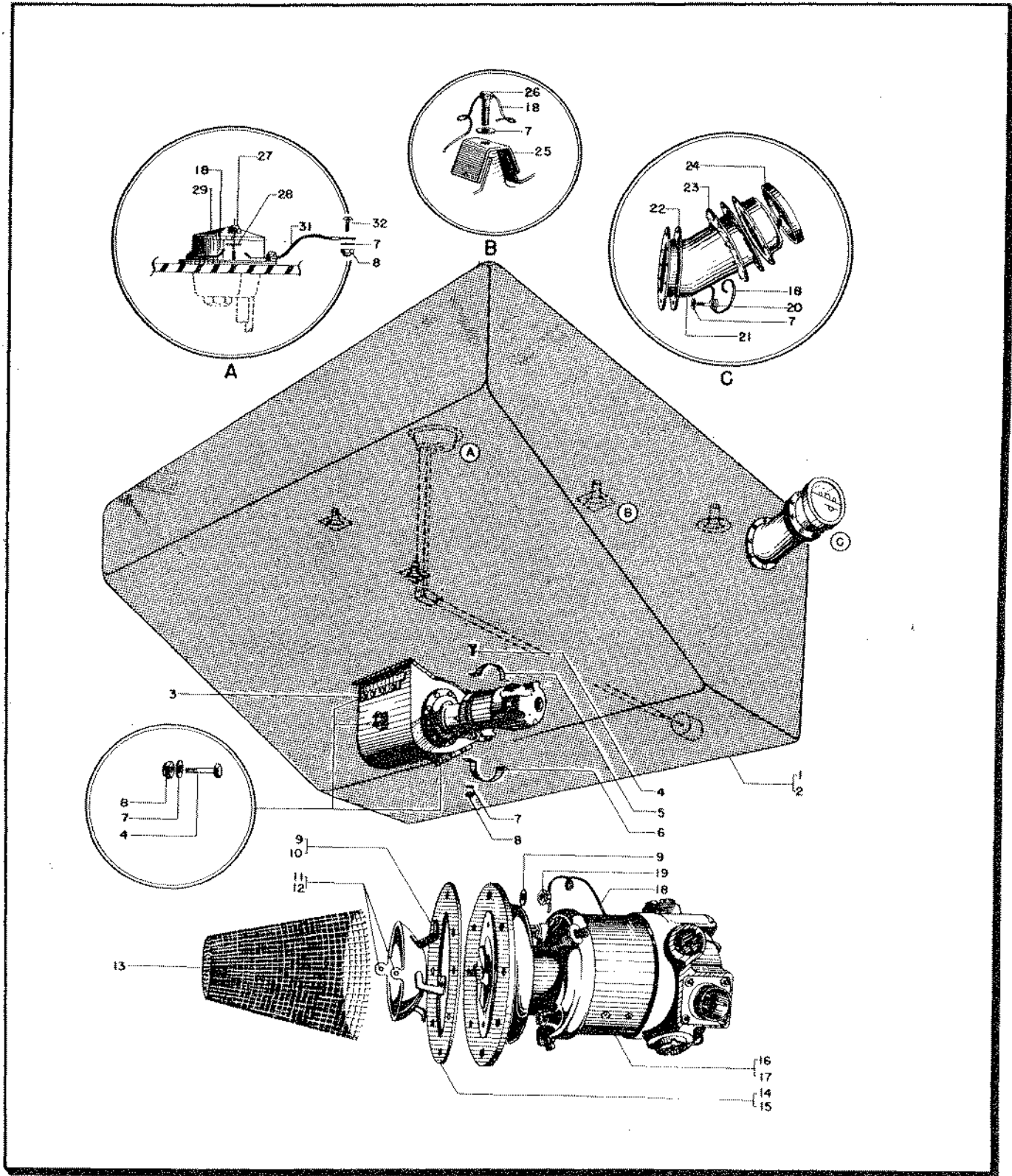


Figure 126—Auxiliary Fuel Tank

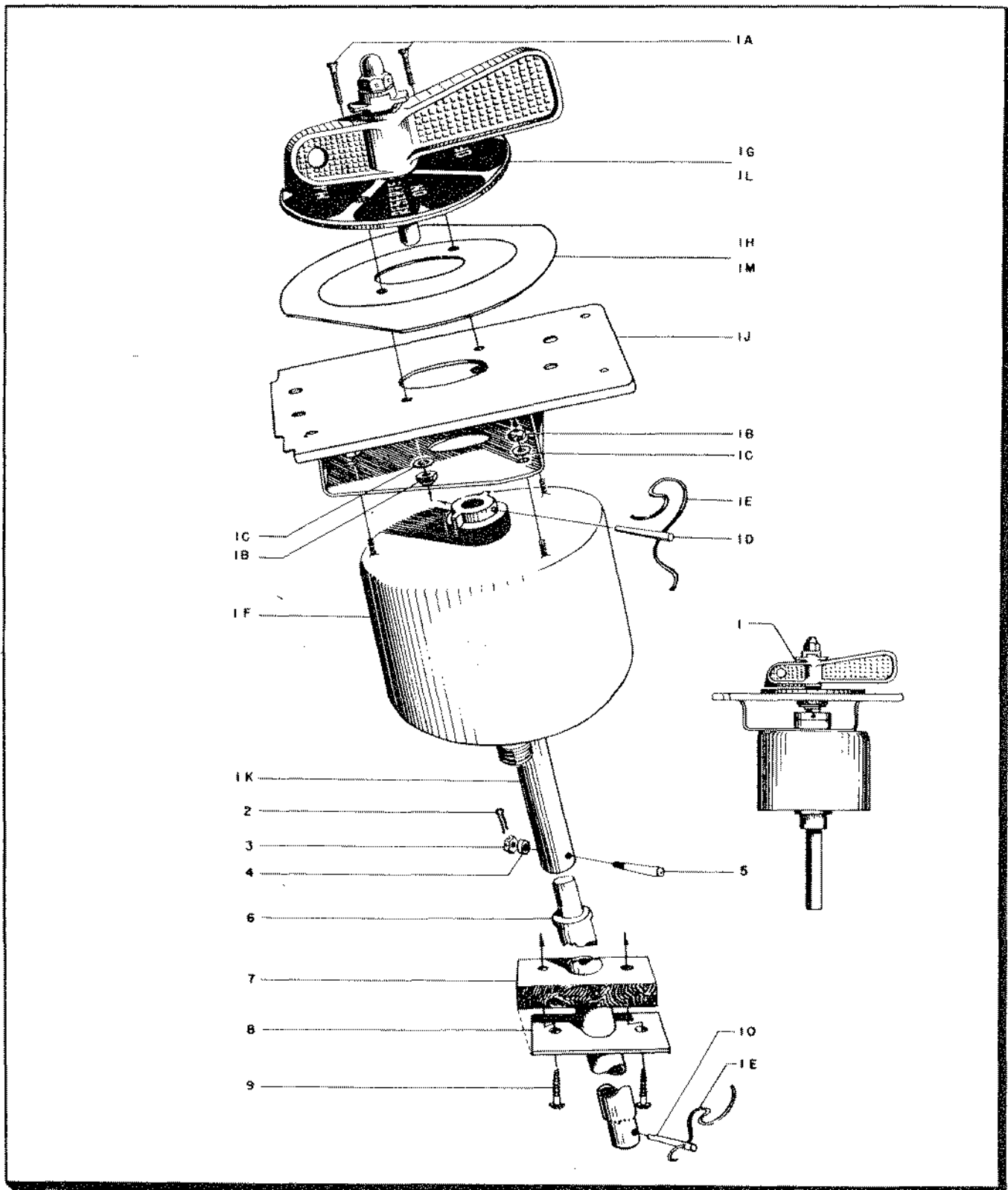


Figure 127—Fuel Selector Valve Control

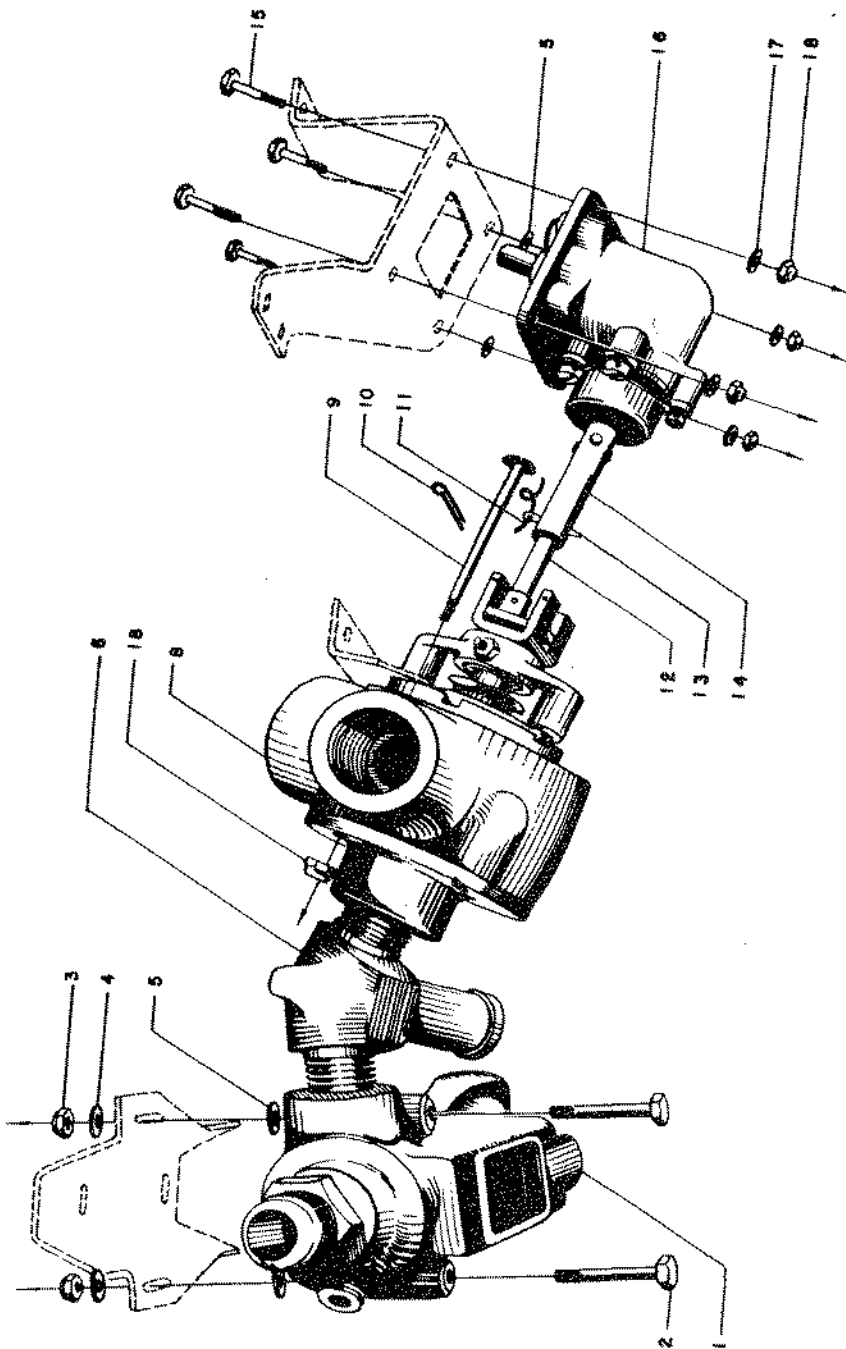


Figure 128—Fuel Strainer and Selector Cock

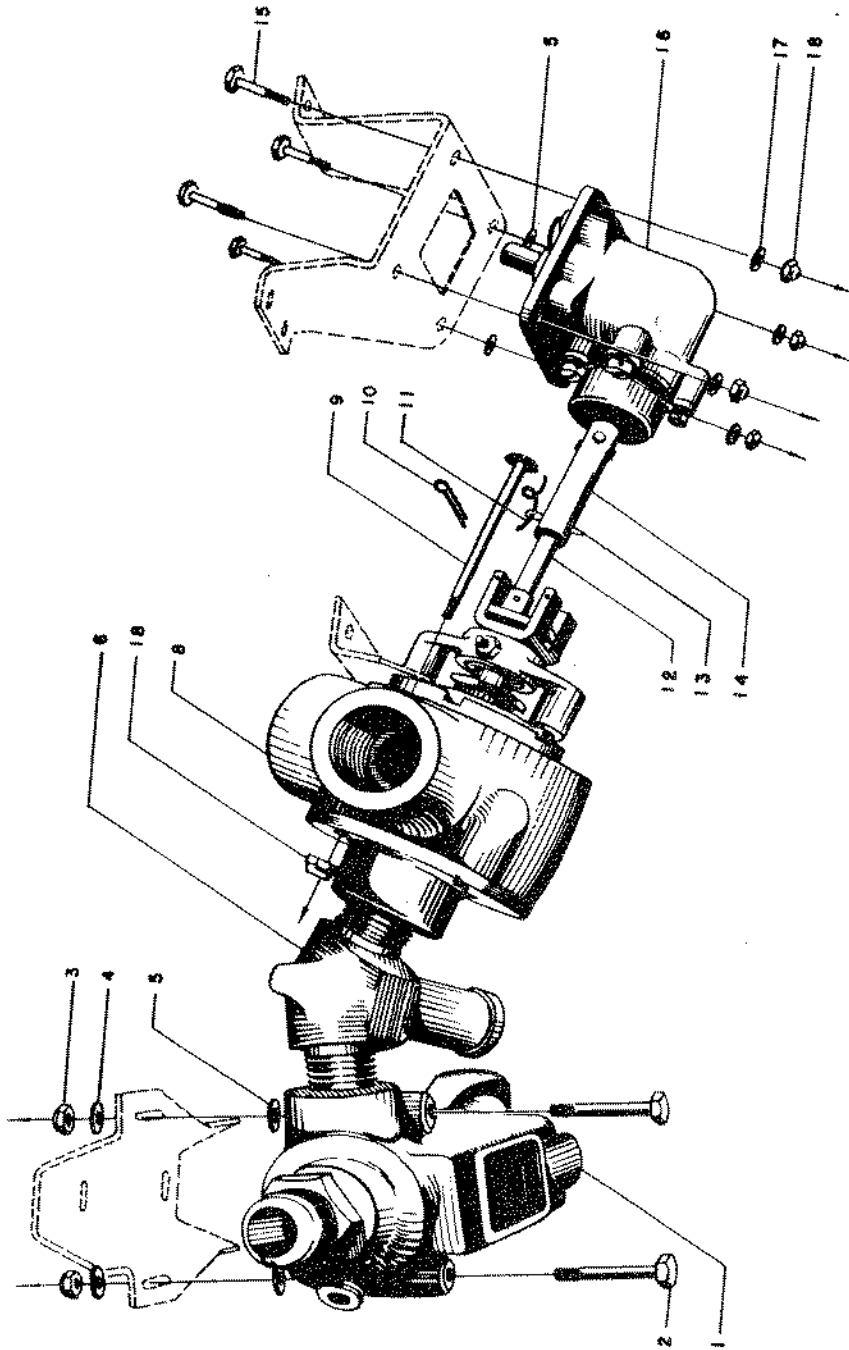


Figure 128—Fuel Strainer and Selector Cock

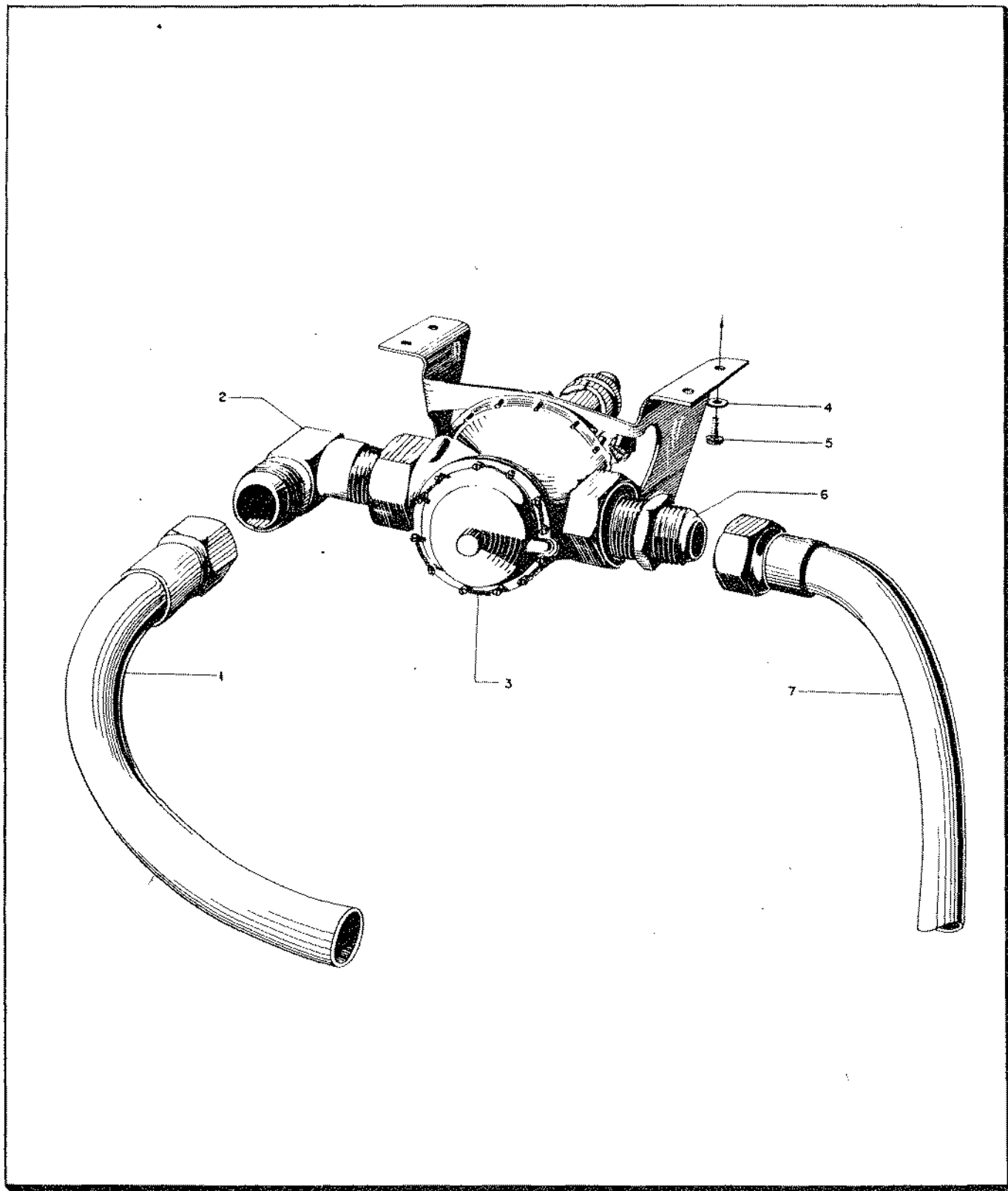


Figure 129—External Auxiliary Fuel Tank System

RESTRICTED
AN 01-65BC-4
SECTION II—GROUP ASSEMBLY PARTS LISTS

FIG. NO.	INDEX NO.	S T O C K E D	GROUP						UNITS PER ASSY	PROPERTY CLASSIFICATION		
			POWER PLANT							U.S. NAVY	U.S. ARMY	BRITISH
			MAJOR ASSEMBLY		EXTERNAL	AUXILIARY	FUEL TANK					
PART NUMBER	1	2	3	4	5	6	NOMENCLATURE					
123	146		89F65233						Installation - Fuel System External Auxiliary Fuel Tank	1		01-N
129	1		89F65165-49						Tube Assembly - Fuel System Fuselage	1		01-N
129	2		AN811-CT-16D						Elbow - 90°	1		01-A
129	3		89F65230						Valve Assembly - External Fuel Tank - Fuel System (P-47C-1-RE and Up)	1		01-N
129	4		AN960-10						Washer	4		01-A
129	5		AN3-5A						Bolt	4		01-A
129	6		AN811-FT-16D						Connector	1		01-A
129	7		89F65165-47						Tube Assembly - Fuel System Fuselage	1		01-N

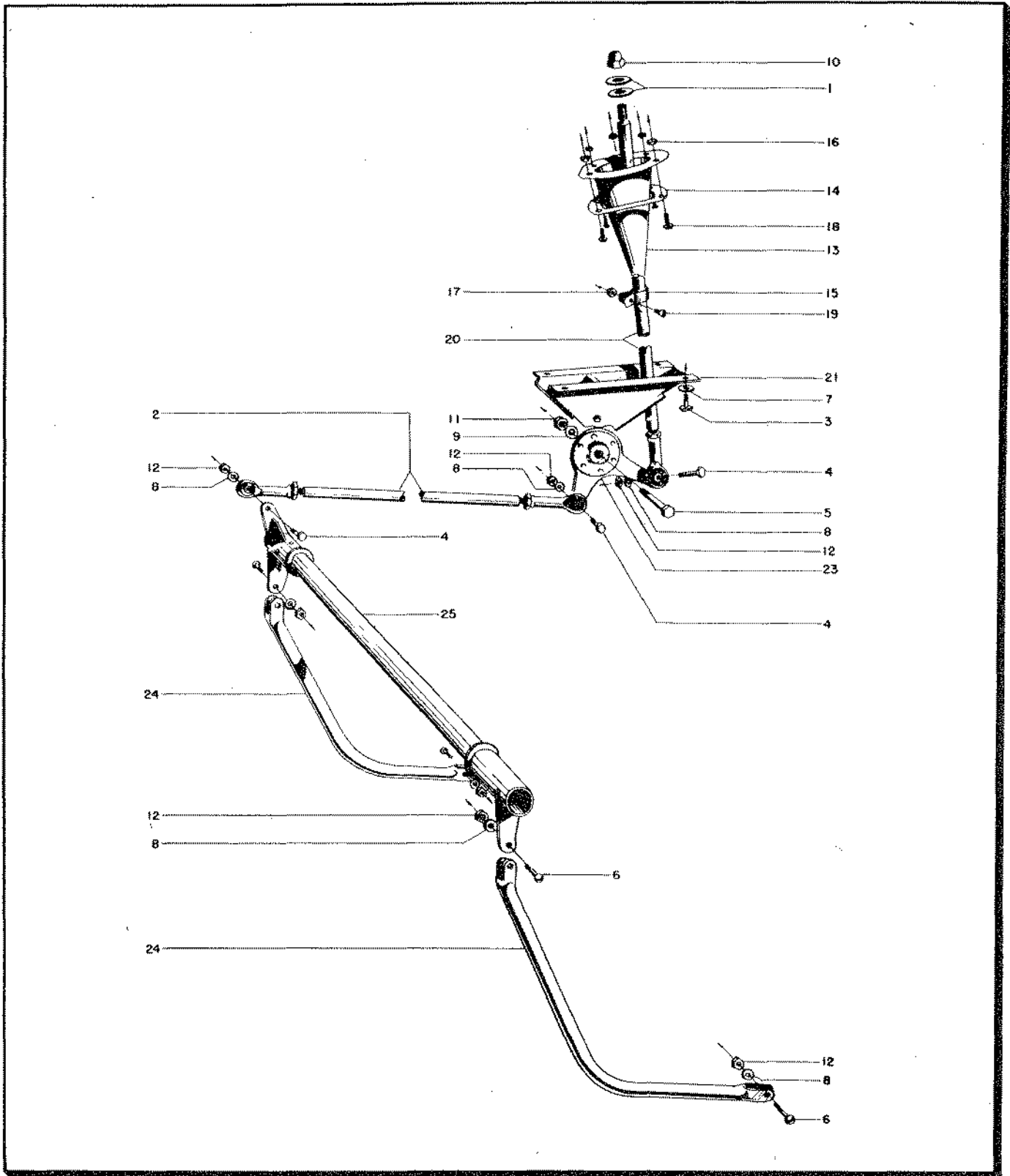


Figure 130—Tank Release Control

RESTRICTED
AN 01-65BC-4
SECTION II—GROUP ASSEMBLY PARTS LISTS

FIG. NO.	INDEX NO.	STOCKED	GROUP POWER PLANT						UNITS PER ASSY	PROPERTY CLASSIFICATION						
			MAJOR ASSEMBLY		TANK RELEASE CONTROL					U.S. NAVY	U.S. ARMY	BRITISH				
			PART NUMBER	1	2	3	4	5					6	NOMENCLATURE		
			89F65265									Installation - Tank Release Control	1		01-N	
130	1		S-2180-4									Washer	2		01-N	
130	2		S-9722-1-21									Rod Assembly	1		01-N	
130	3		AN3-5A									Bolt	4		04-A	
130	4		AN3-7A									Bolt	3		04-A	
130	5		AN5-21A									Bolt	1		04-A	
130	6		AN23-10A									Bolt	4		04-A	
130	7		AN960-10									Washer	4		04-A	
130	8		AN960-10L									Washer	7		04-A	
130	9		960-516L									Washer	2		04-A	
130	10		364-428									Nut	1		04-A	
130	11		364-524									Nut	1		04-A	
130	12		364-1032									Nut	7		04-A	
			89F65268													Installation - Fume Proof Sleeve
130	13		89F65268-1									Sleeve	1		01-N	
130	14		89F65268-2									Plate	1		01-N	
130	15		735-6									Clamp	1		04-A	
130	16		365-6-32									Nut	5		04-A	
130	17		365-8-32									Nut	1		04-A	
130	18		AN515-6-4									Screw	5		29	
130	19		AN515-8-8									Screw	1		29	
130	20		89F65281									Rod Assembly	1		01-N	
130	21		89F65267									Bracket Assembly	1		01-N	
130	23		89F65266									Bellcrank Assembly	1		01-N	
130	24		89F65260									Rod Assembly	1L-1R		01-N	
130	25		89F65262									Installation - Jack Shaft	1		01-N	

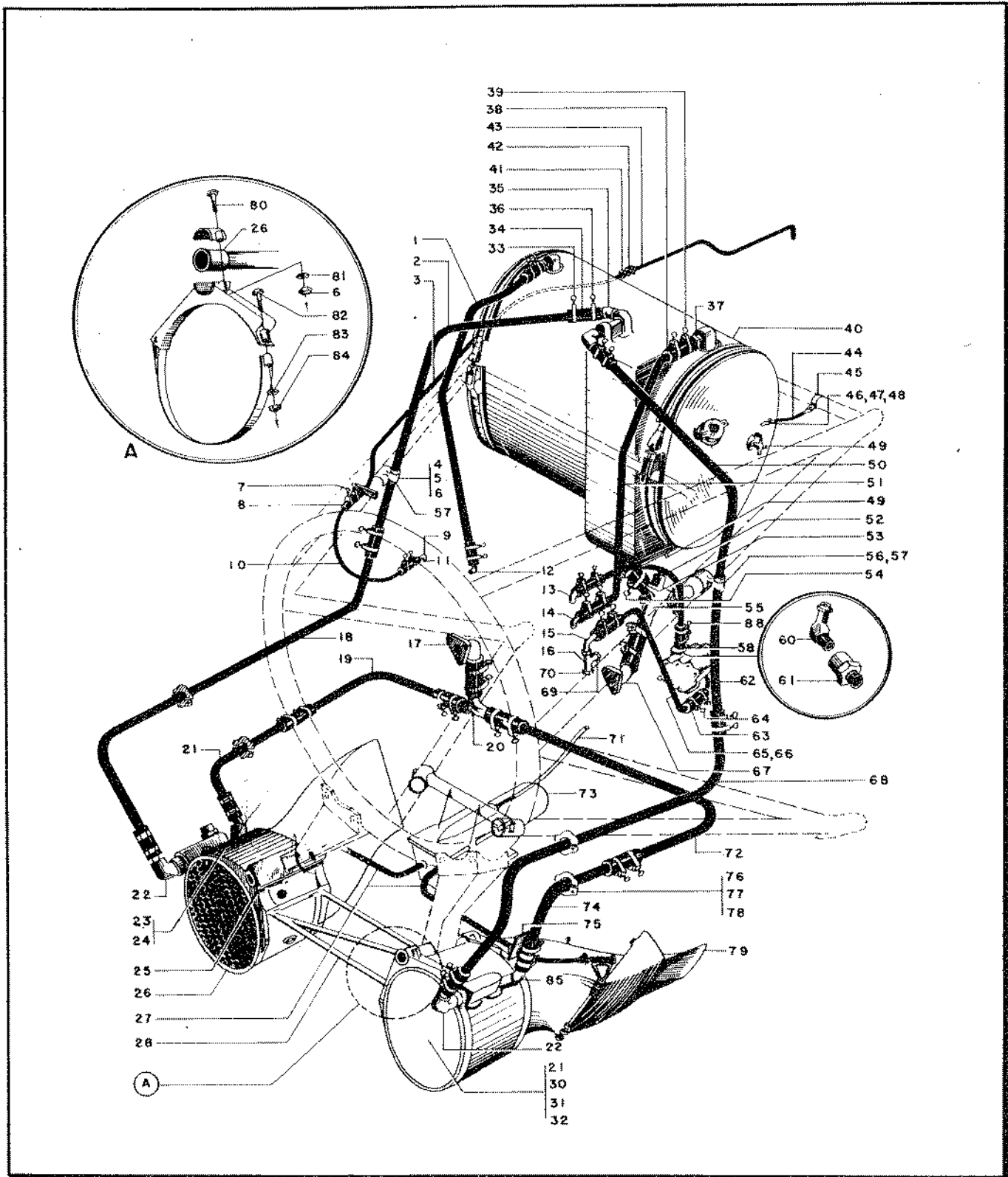


Figure 131—Oil System

RESTRICTED
AN 01-6580-4

SECTION II—GROUP ASSEMBLY PARTS LISTS

FIG. NO.	INDEX NO.	STOCK CODE	GROUP POWER PLANT						UNITS PER ASSY	PROPERTY CLASSIFICATION				
			MAJOR ASSEMBLY		INSTALLATION OIL SYSTEM					U.S. NAVY	U.S. ARMY	BRITISH		
			PART NUMBER	1	2	3	4	5					6	NOMENCLATURE
131	31		B8504190								1		03-I	
131	32		38500								1		03-I	
131	33		FB20A								26		04-A	
131	34		AN884-20-15								13		04-B	
131	35		AN844-21D								3		04-A	
131	36		AN842-21D								3		04-A	
131	37		AN840-12D								2		04-A	
131	38		AN884-12-12								4		04-B	
131	39		FB12A								8		04-A	
131	40		40241E								1		03-F	
131	41		3115-1HT-4D								1		04-A	
131	42		11-1039-1-3D								1		04-A	
131	43		89P66132-24								1		01-N	
131	44		BQ4Q								2		08-B	
131	45		S9795-20								2		01-N	
131	46		AN520-10-7								4		29	
131	47		AN960-10L								2		04-A	
131	48		365-1032								16		04-A	
131	49		AN770-1								2		29	
131	50		89P66132-20								1		01-N	
131	51		89P66132-19								1		01-N	
131	52		89P66132-22								1		01-N	
131	53		AN884-24-16								2		04-B	
131	54		FB28A								4		04-A	
131	55		U-1050-B3								1		03-I	
131	56		89P66178								1		01-N	
131	57		89P66181								2		01-N	
131	58		FB6A								4		04-A	
131	59		AN884-6-12								2		04-B	
131	60		AN844-6D								1		04-A	
131	61		89P66140								1		01-N	

RESTRICTED
AN 01-65BC-4
SECTION II—GROUP ASSEMBLY PARTS LISTS

FIG. NO.	INDEX NO.	STOCKED	GROUP POWER PLANT						UNITS PER ASSY.	PROPERTY CLASSIFICATION			
			MAJOR ASSEMBLY		INSTALLATION OIL SYSTEM					U.S. NAVY	U.S. ARMY	BRITISH	
			PART NUMBER	1	2	3	4	5					6
131	62		AN842-8D							2		04-A	
131	63		AN884-8-12							2		04-A	
131	64		FB8A							4		04-A	
131	65		89P66132-23							1		01-N	
131	66		89P66132-29							1		01-N	
131	67		89P66110							1		01-N	
131	68		89P66132-6							1		01-N	
131	69		AN840-8D							1		04-A	
131	70		AN911-3D							1		04-A	
131	71		89P66170-1							1		01-N	
131	72		89P66132-9							1		01-N	
131	73		89P66153							1		01-N	
131	74		89P66132-2							1		01-N	
131	75		89P66182							2		01-N	
131	76		89P66177							8		01-N	
131	77		AN515-6-6							16		29	
131	78		365-632							16		04-A	
131	79		89P66125							11-1R		01-N	
131	80		AN3-13A							8		04-A	
131	81		AN960-10							12		04-A	
131	82		AN4-13A							8		04-A	
131	83		AN960-416							8		04-A	
131	84		365-428							8		04-A	
131	85		AN844-21D							3		04-A	

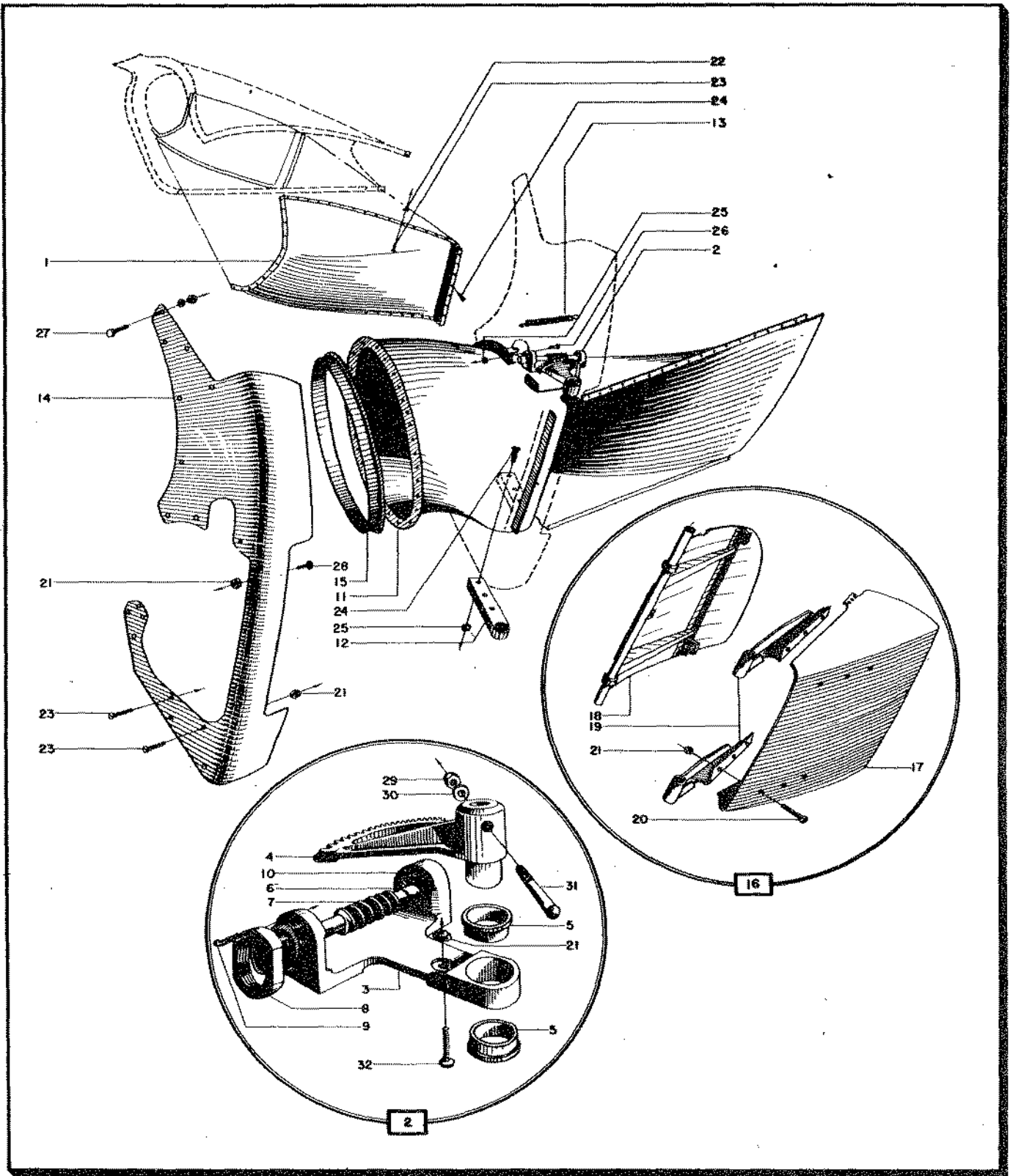


Figure 132—Duct and Operating Mechanism

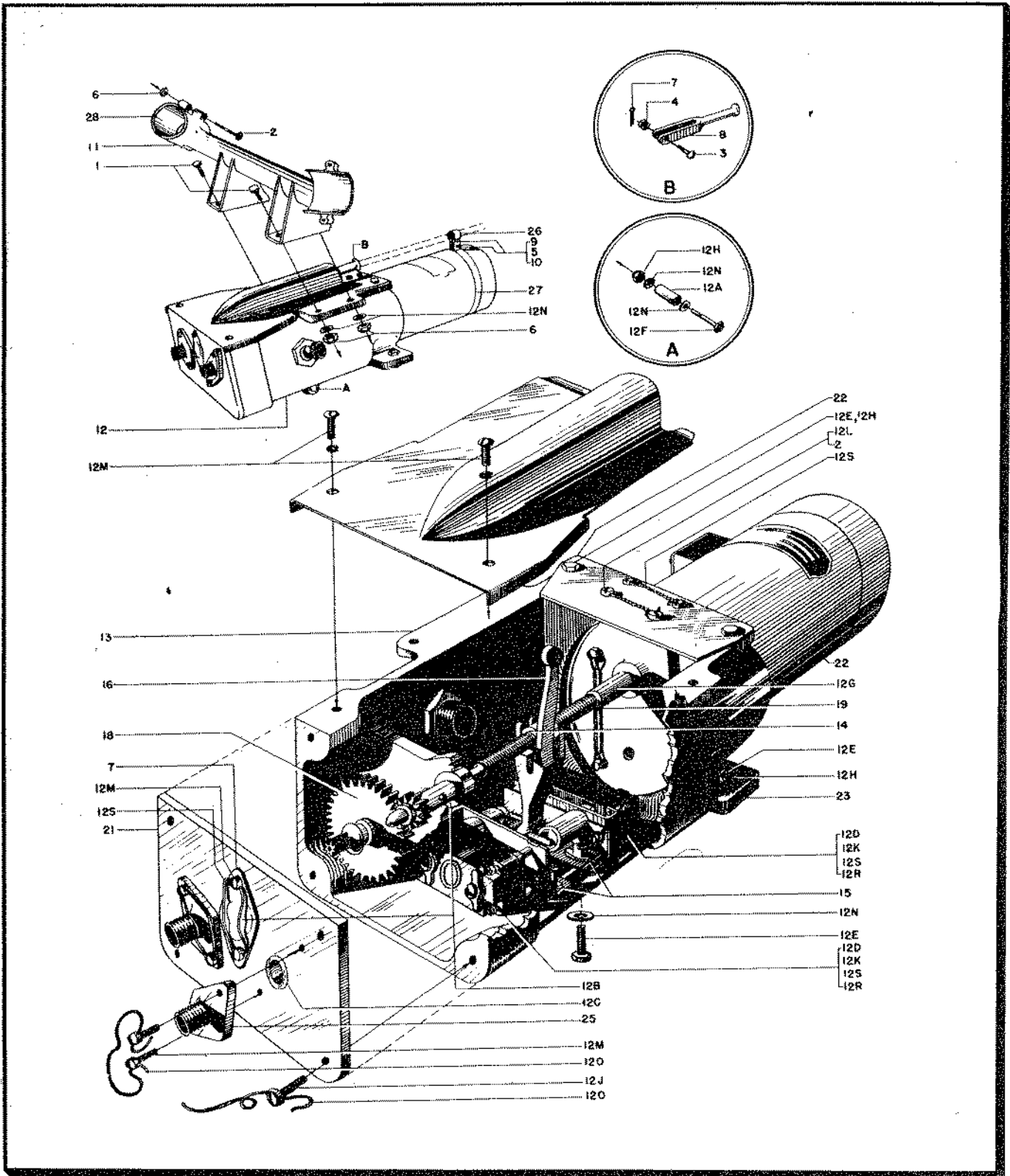


Figure 133—Oil Cooler Door Operating Mechanism

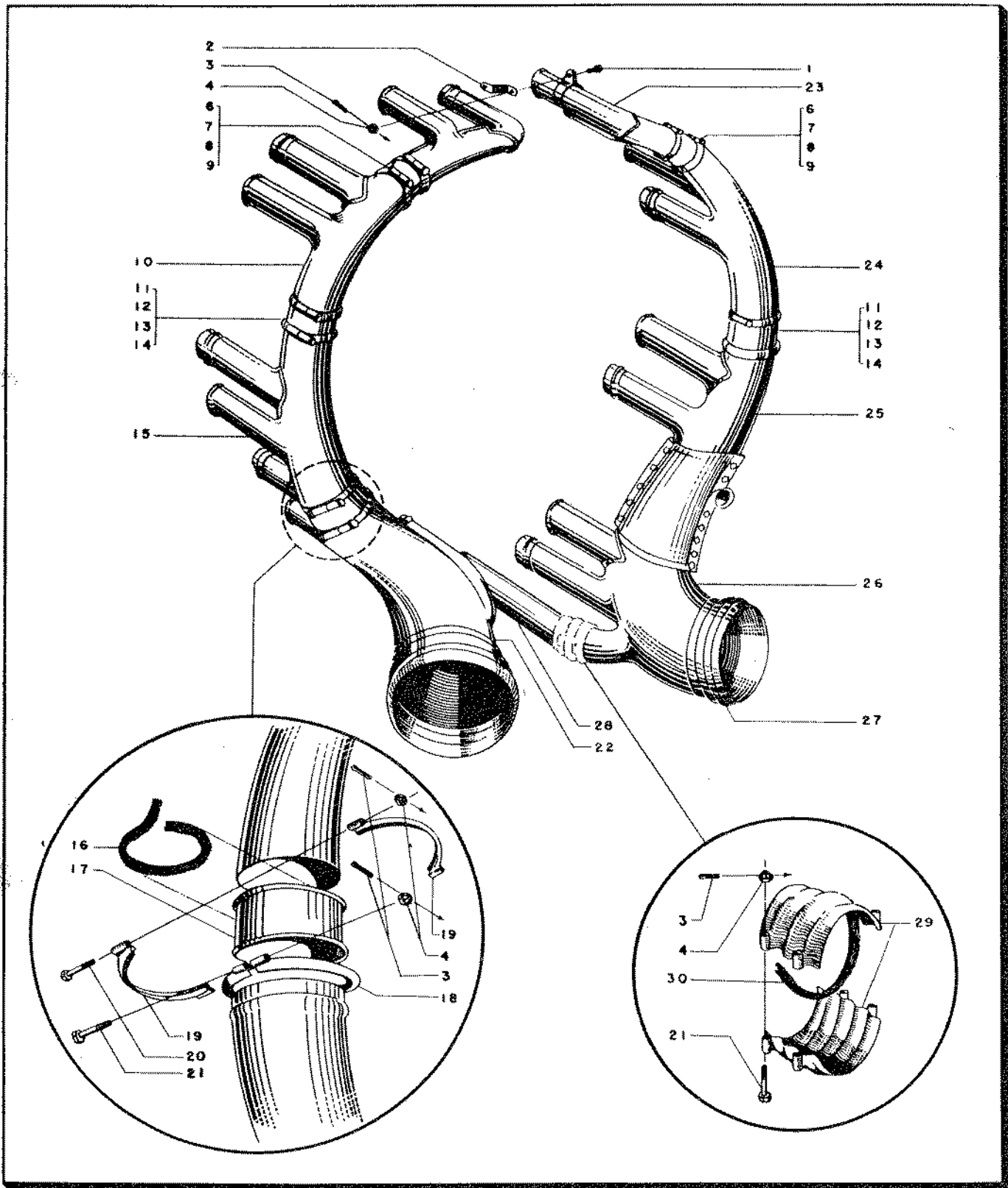


Figure 134—Exhaust Manifold Assembly

SECTION II—GROUP ASSEMBLY PARTS LISTS

FIG. NO.	INDEX NO.	STOCKED	GROUP						UNITS PER ASSY	PROPERTY CLASSIFICATION		
			POWER PLANT							U.S. NAVY	U.S. ARMY	BRITISH
			MAJOR ASSEMBLY		EXHAUST MANIFOLD ASSEMBLY							
PART NUMBER	1	2	3	4	5	6	NOMENCLATURE					
			89P67104						Exhaust Manifold Assembly (Alternate) Solar Aircraft Company 12-857			
134	1		AN4-5						Bolt	1		04-A
134	2		89P67134						Support Link - Exhaust Manifold (Alternate) Solar Aircraft Co. 1-2301	1		04-A
134	3		AN380-C2-2						Pin - Cotter (Alternate) - Solar Aircraft Co. - 1	20		29
134	4		AN310-4						Nut	20		04-A
134	5		89P67104-1						Weld Assembly (Alternate) - Solar Aircraft Co. - 12-745-18-1	1		
134	6		89P67104-49						Packing (Alternate) - Solar Aircraft Co.- 1-2440-105	2		
134	7		89P67105-1						Half Clamp Assembly Exhaust Manifold (Alternate) Solar Aircraft Co. - 3-879-31	4		
134	8		89P67132-1						Sleeve - Exhaust Manifold - (Alternate) Solar Aircraft Co. - 3-877-31	2		
134	9		89P67125-1						Clamp Assembly Exhaust Tail Pipe (Alternate) Solar Aircraft Co. 3-880-31	2		
134	10		89P67104-2						Weld Assembly (Alternate) Solar Aircraft Co. 12-745-16-17	1		
134	11		89P67104-48						Packing (Alternate) Solar Aircraft Co. 1-2440-130	2		
134	12		89P67105-2						Half Clamp Assembly - Exhaust Manifold (Alternate) Solar Aircraft Co. 3-879-37	4		
134	13		89P67132-2						Sleeve - Exhaust Manifold (Alternate) Solar Aircraft Co. 3-877-37	2		
134	14		89P67125-2						Clamp Assembly - Exhaust Tail Pipe (Alternate) Solar Aircraft Co. 3-880-37	2		
134	15		89P67104-3						Weld Assembly (Alternate) Solar Aircraft Co. 12-745-14-15	1		

Unless otherwise noted all parts are in class 01-N.

SECTION II—GROUP ASSEMBLY PARTS LISTS

FIG. NO.	INDEX NO.	STOCKED	GROUP						UNITS PER ASSY	PROPERTY CLASSIFICATION		
			POWER PLANT							U.S. NAVY	U.S. ARMY	BRITISH
			MAJOR ASSEMBLY			EXHAUST MANIFOLD ASSEMBLY						
PART NUMBER	1	2	3	4	5	6	NOMENCLATURE					
134	16							Packing (Alternate) Solar Aircraft Co. 1-24440-161	1		01-N	
134	17							Sleeve - Exhaust Manifold (Alternate) Solar Aircraft Co. 3-877-47	1		01-N	
134	18							Clamp Assembly - Exhaust Tail Pipe (Alternate) Solar Aircraft Co. 3-880-47	1		01-N	
134	19							Half Clamp Assembly - Exhaust Manifold (Alternate) Solar Aircraft Co. 3-879-47	2		01-N	
134	20							Bolt	10		01-A	
134	21							Bolt	9		01-A	
134	22							Weld Assembly (Alternate) Solar Aircraft Co. 12-857-11-12-13	1		01-N	
134	23							Weld Assembly (Alternate) Solar Aircraft Co. 12-857-2-3	1		01-N	
134	24							Weld Assembly (Alternate) Solar Aircraft Co. 12-745-4-5	1		01-N	

SECTION II—GROUP ASSEMBLY PARTS LISTS

FIG. NO.	INDEX NO.	STOCK #	GROUP POWER PLANT								UNITS PER ASSY	PROPERTY CLASSIFICATION		
			MAJOR ASSEMBLY		EXHAUST MANIFOLD ASSEMBLY							U.S. NAVY	U.S. ARMY	BRITISH
			PART NUMBER	1	2	3	4	5	6	NOMENCLATURE				
134	25		89P67104-5								1			
134	26		89P67106-2								1			
134	27		89P67110								1			
134	28		89P67104-8								1			
134	29		89P67108								1			
134	30		89P67104-50								1			

Unless otherwise noted all parts are in class 01-N.

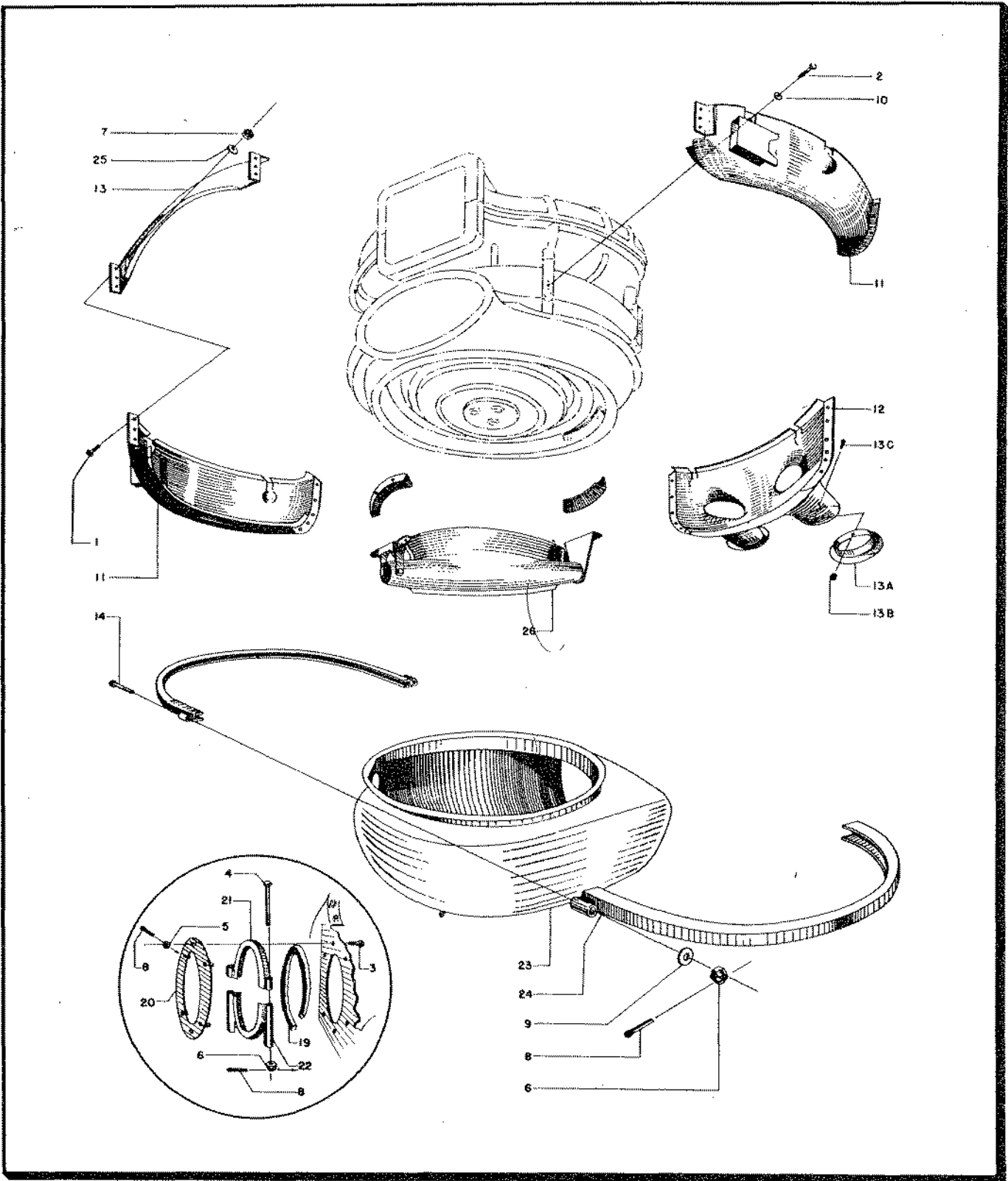


Figure 135—Turbine Exhaust Hood and Shroud

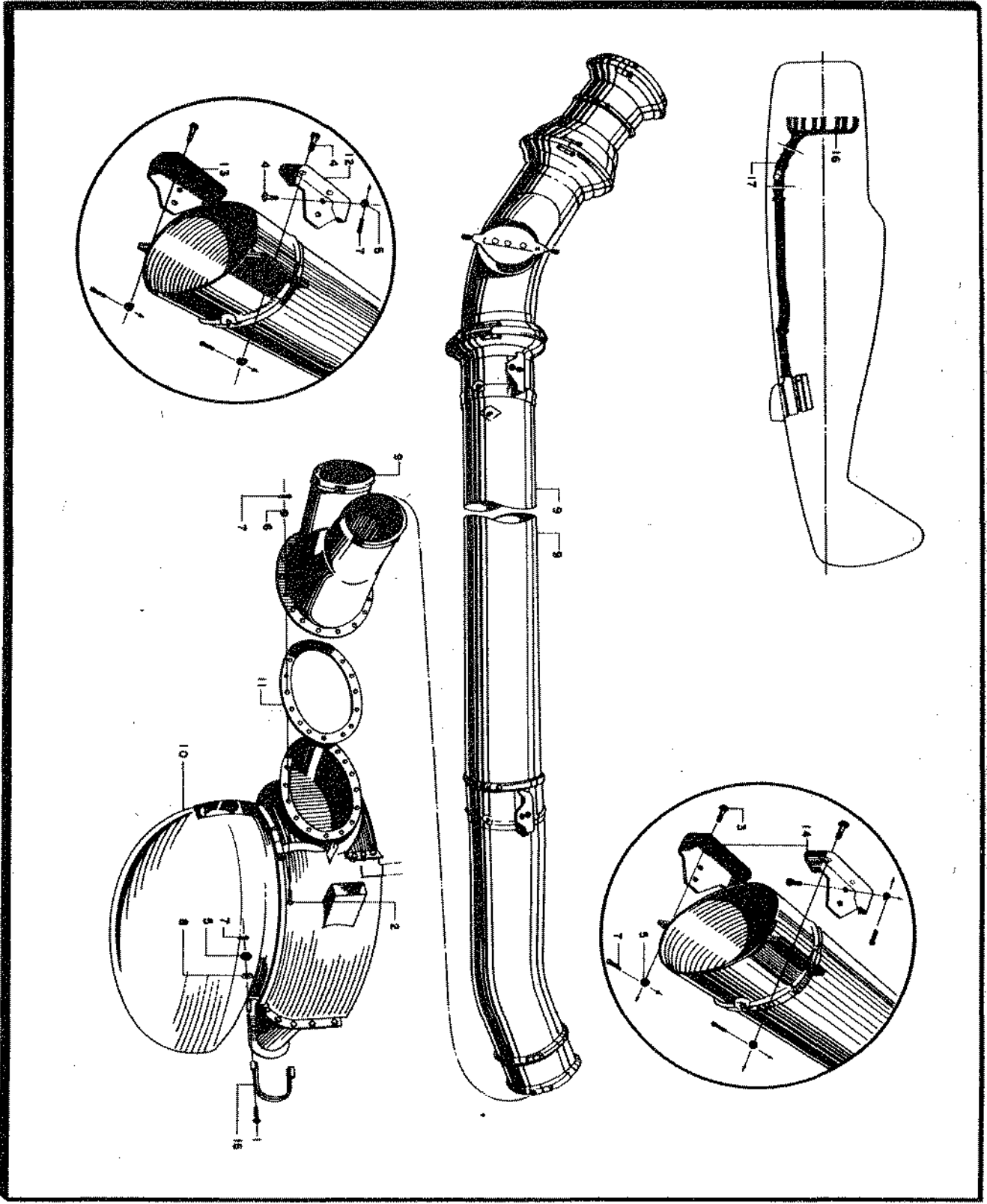


Figure 136—Exhaust Assembly—(Fuselager)

Section II
Group Assembly Parts List

RESTRICTED
AN 01-65BC-4

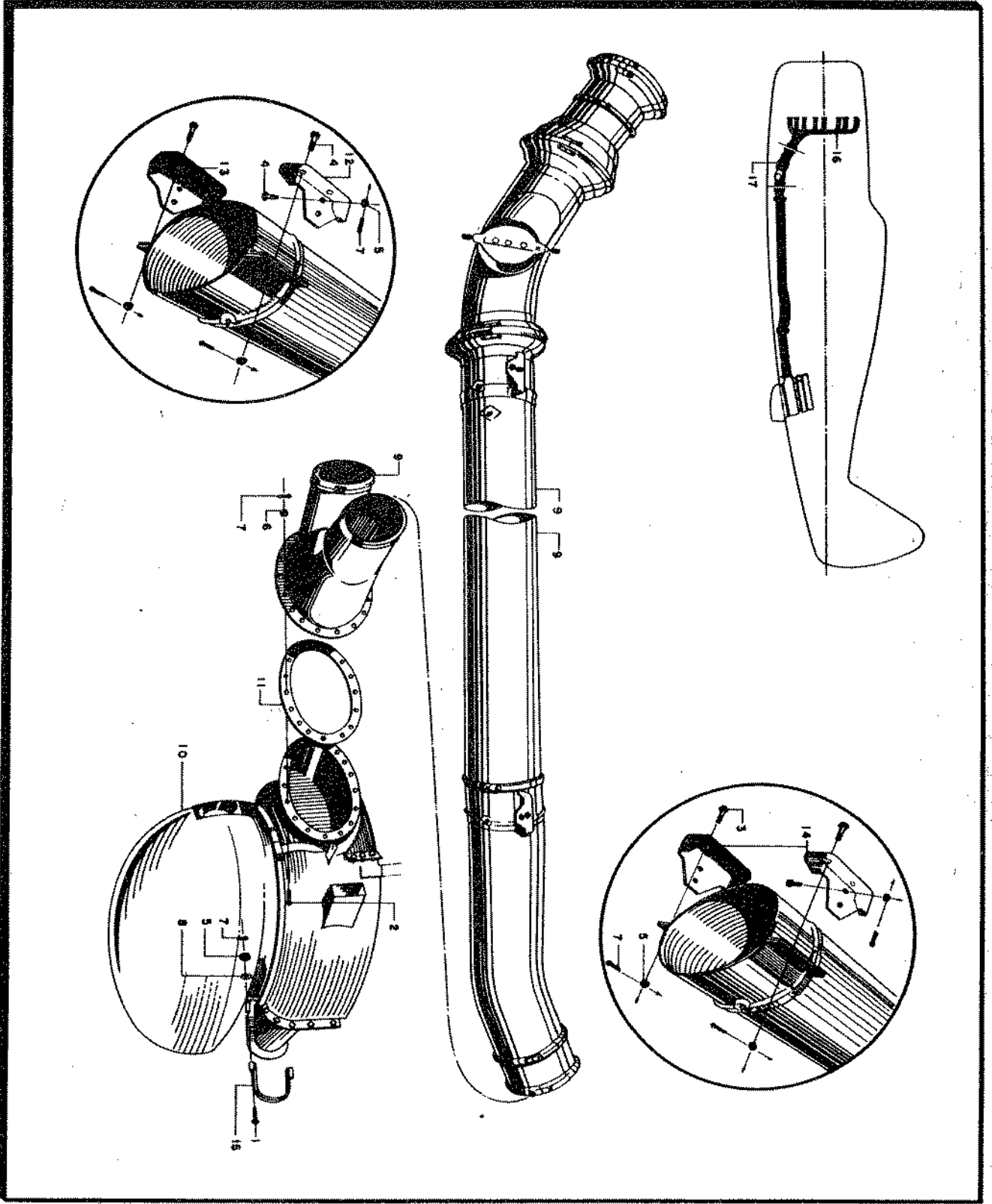


Figure 136—Exhaust Assembly—(Fuselage)

Section II
Group Assembly Parts List

RESTRICTED
AN 01-69BC-4

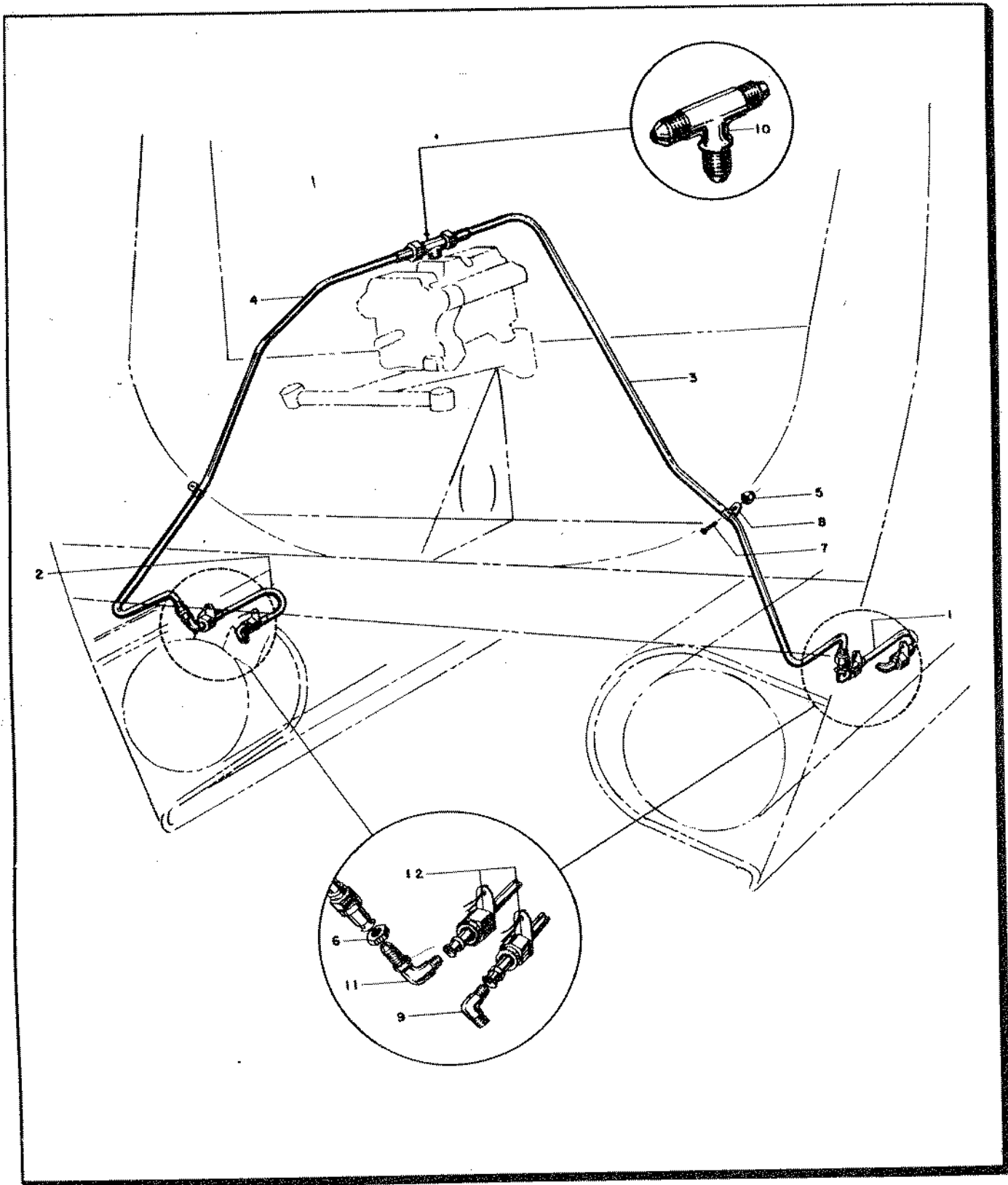


Figure 137—Manifold Pressure to Regulator

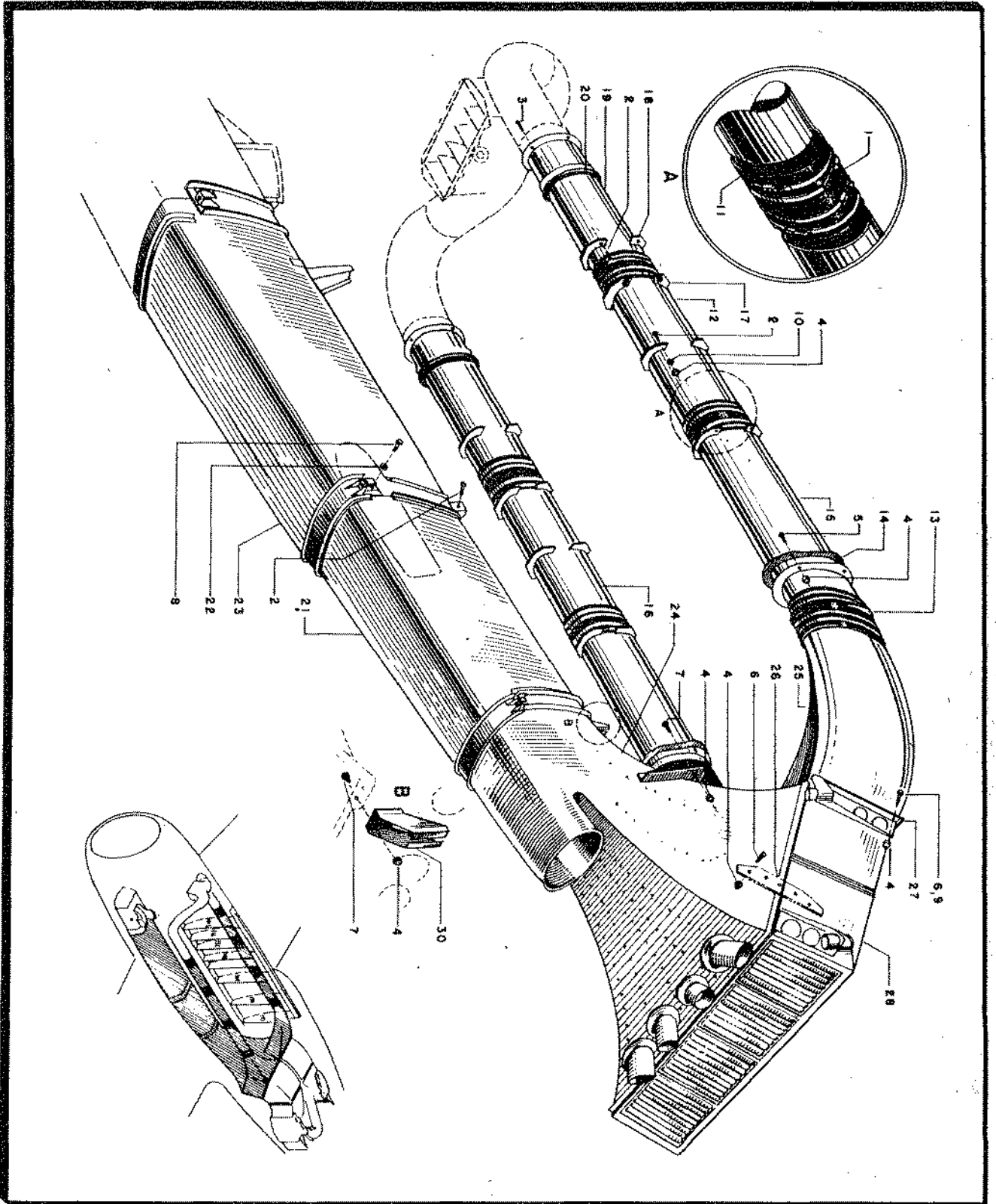


Figure 138—Supercharging and Induction System—(Fuselage)

Section II
Group Assembly Parts List

RESTRICTED
AN 01-65BC-4

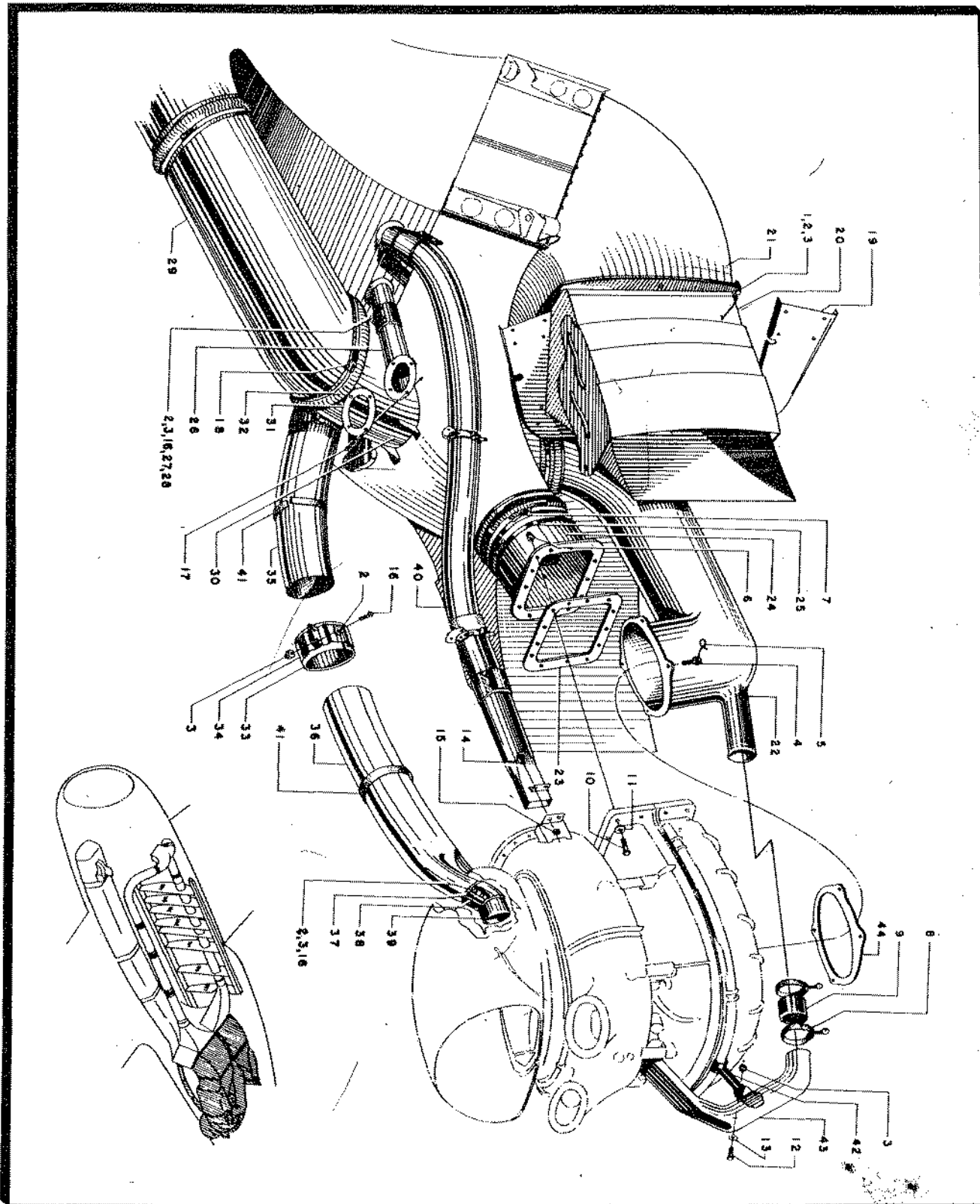


Figure 139—Supercharging and Induction System—(Fuselage)

Section II
Group Assembly Parts List

RESTRICTED
AN 01-65BC-4

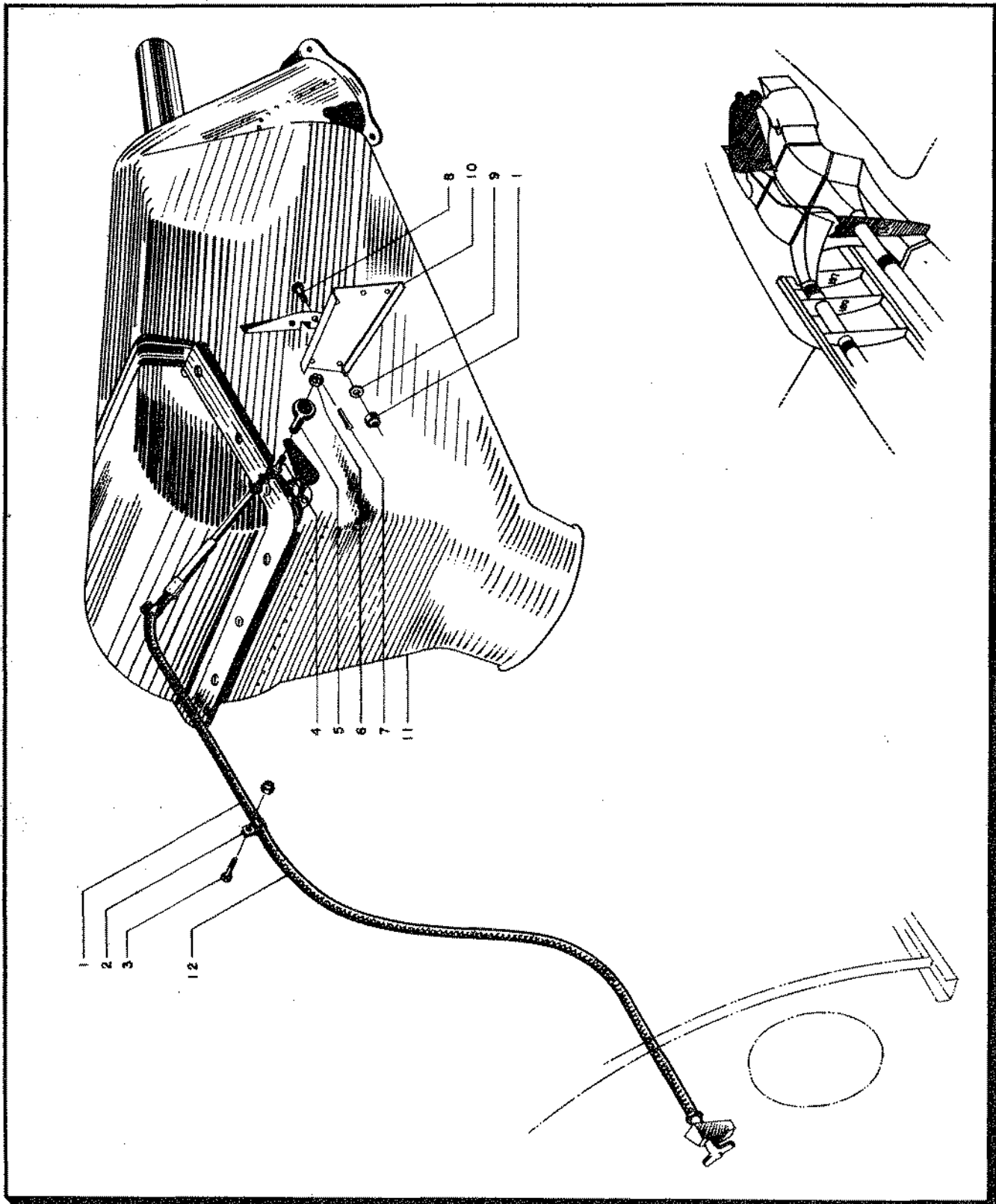


Figure 140—Supercharging and Induction System

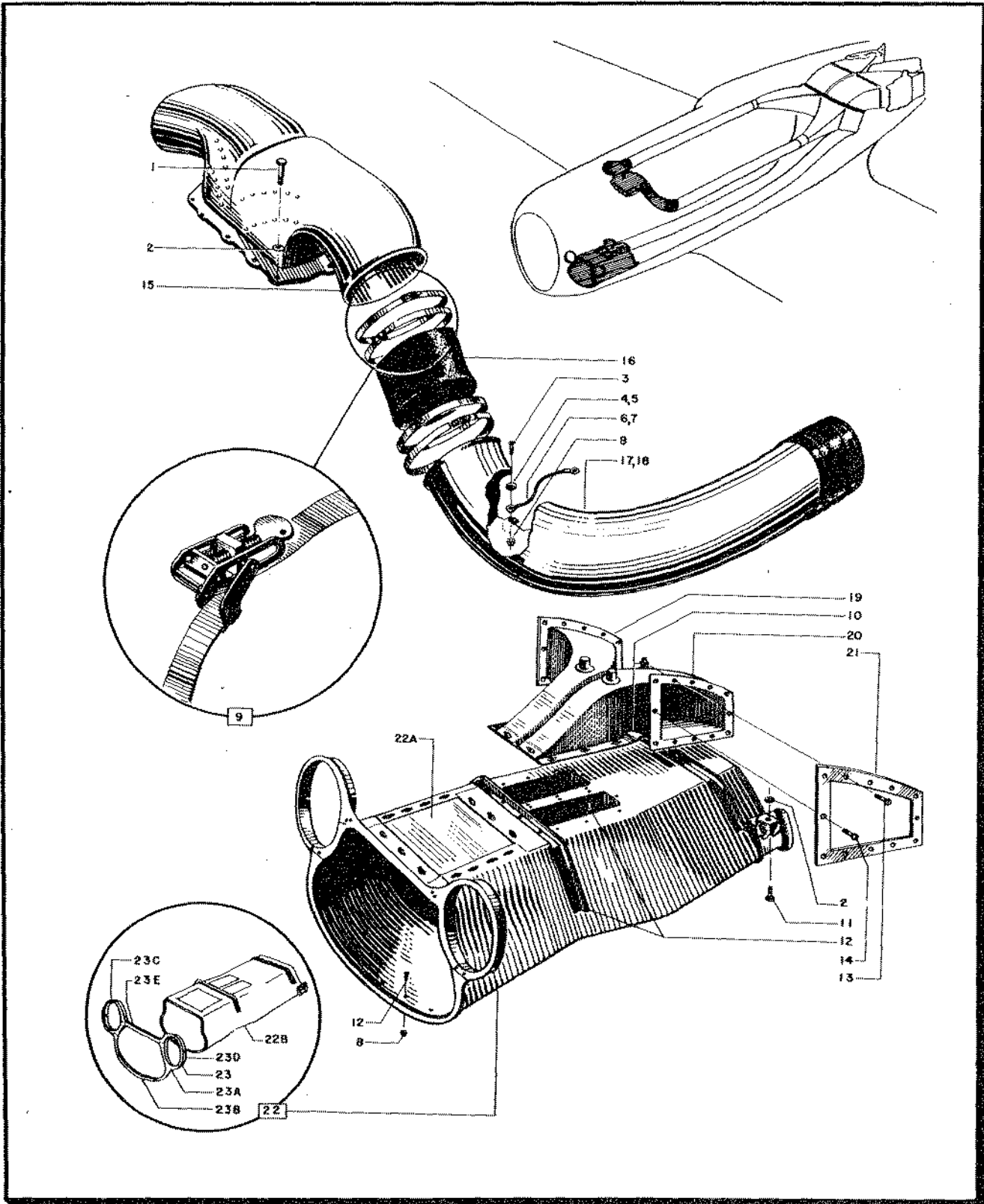


Figure 141—Supercharging and Induction System—(Engine Compartment)

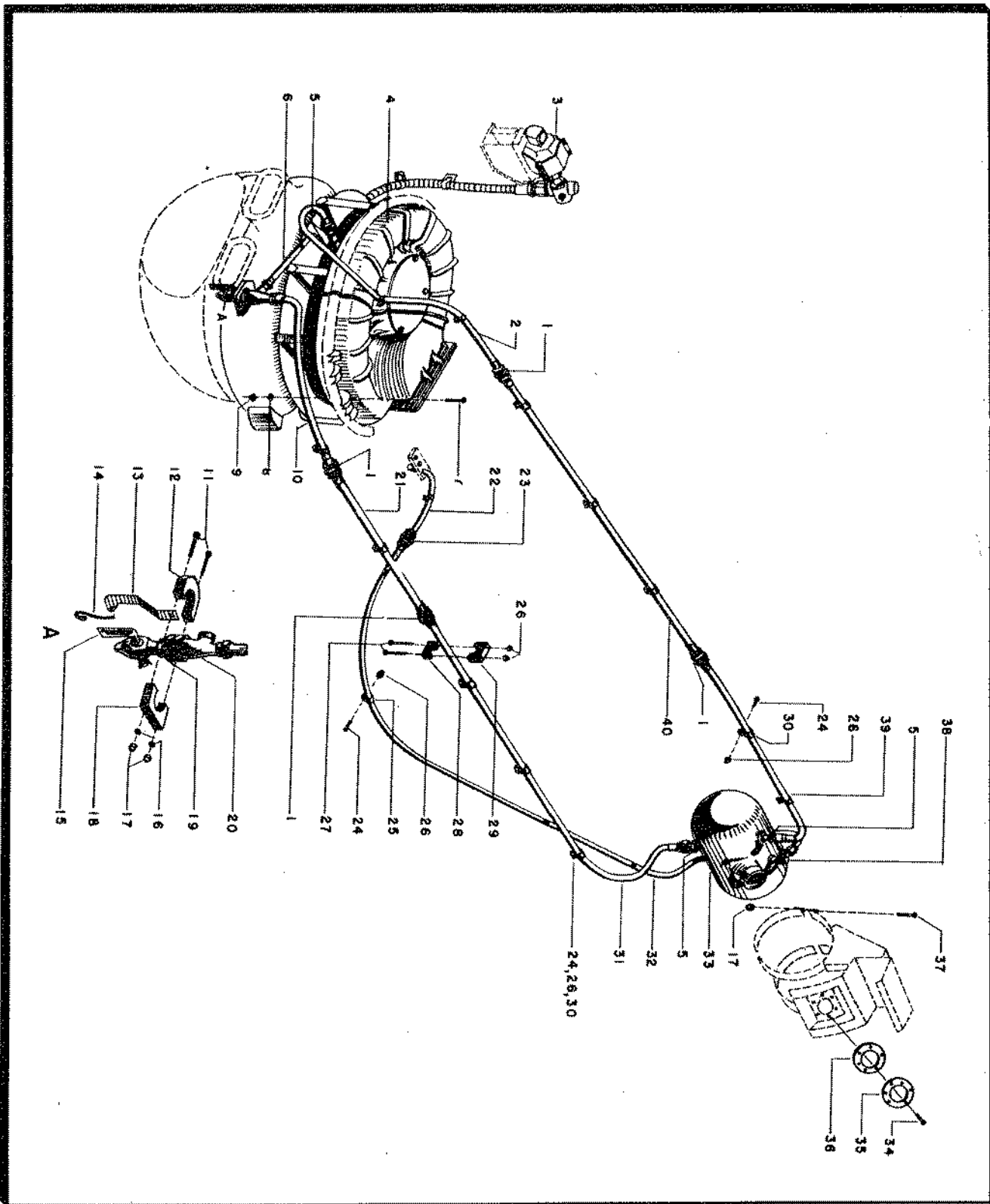


Figure 142.—Supercharger and Supercharger Oil System

Section II
Group Assembly Parts List

RESTRICTED
AN 01-65BC-4

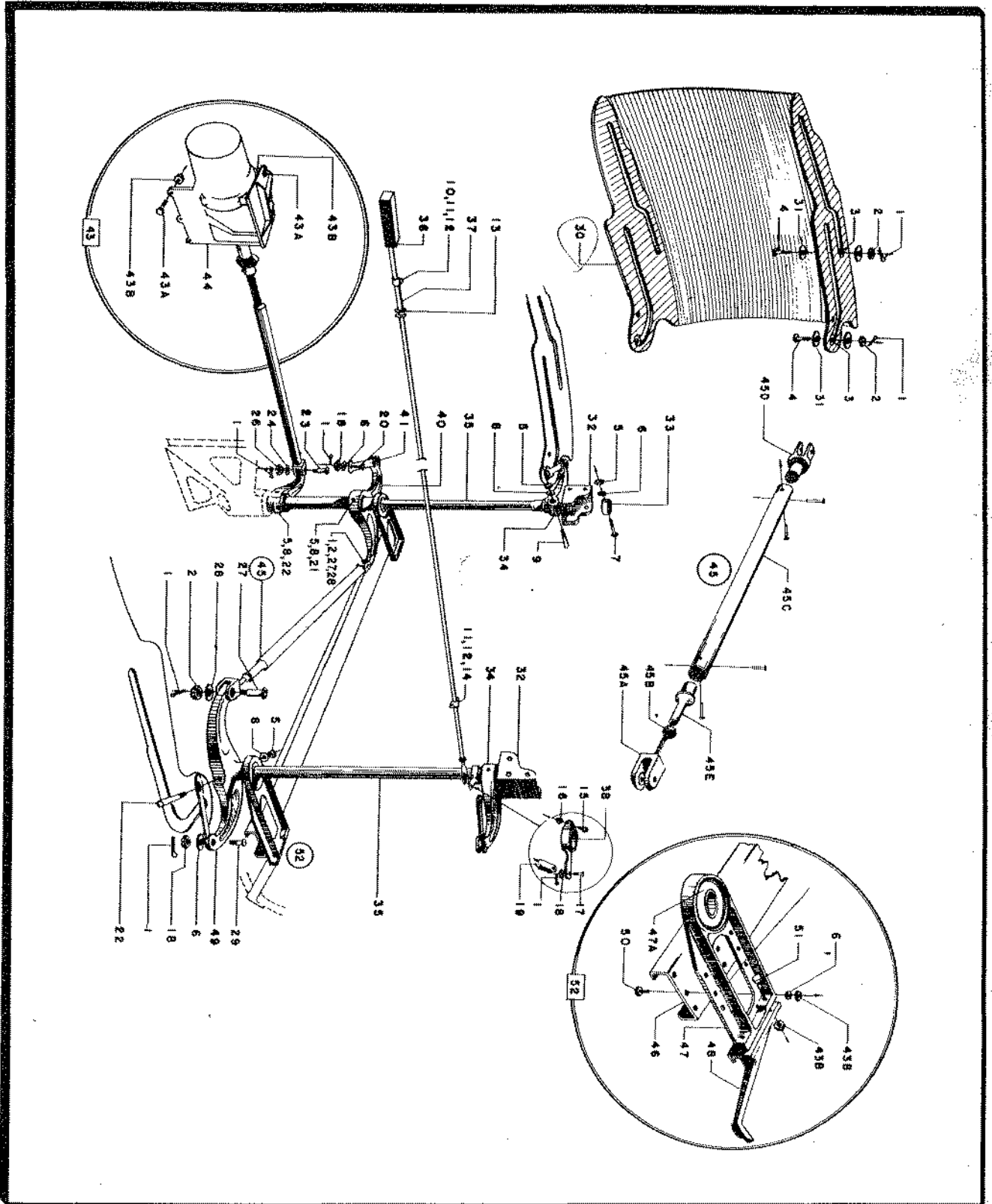
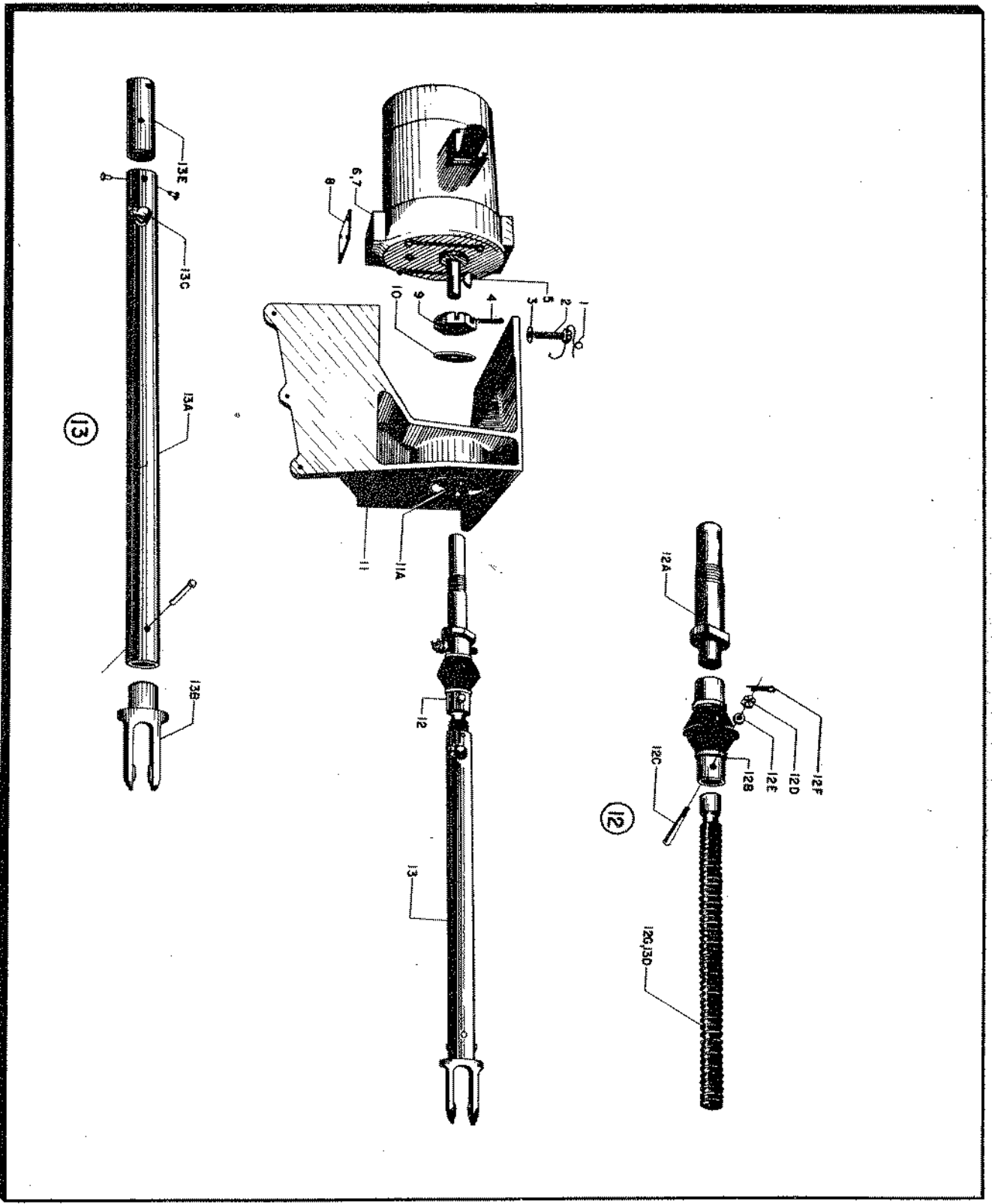


Figure 143—Intercooler Exit Door Control



RESTRICTED

T. O. No. 01-60JC-4

SECTION II—GROUP ASSEMBLY PARTS LISTS

FIG. NO.	INDEX NO.	S T O C K E D	GROUP POWER PLANT						UNITS PER ASSY	PROPERTY CLASSIFICATION			
			MAJOR ASSEMBLY		INTERCOOLER DOOR CONTROL					U.S. NAVY	U.S. ARMY	BRITISH	
			PART NUMBER	1	2	3	4	5					6
			89F68175							1		01-N	
144	1		AN 995-C51-4							As Req		04-A	
144	2		AN 73-4							8		04-A	
144	3		AN 960-D10							8		04-A	
144	4		AN 380-4-5							1		29	
144	5		AN 280-H204							1		29	
144	6		89F68166-2							1		01-N	
144	7		89F68166-1							1		01-N	
144	8		89P68421							3		01-N	
144	9		AN 320-12							1		04-A	
144	10		AN 960-DL216							1		04-A	
144	11		89F68197							1		01-N	
144	11A		K12A							2		04-A	
144	12		89F68215							1		01-N	
144	12A		89F68169							1		01-N	
144	12B		89F68176							1		01-N	
144	12C		S-9075-6							1		01-N	
144	12D		AN 320-2							2		04-A	
144	12E		AN 975-2							2		04-A	
144	12F		AN 380-2-2							2		29	
144	12G		89F68171							1		01-N	
144	13		89F68214							1		01-N	
144	13A		89F68187							1		01-N	
144	13B		89F68216							1		01-N	
144	13C		1646							1		29	
144	13D		89F68171							1		01-N	
144	13E		89F68195							1		01-N	

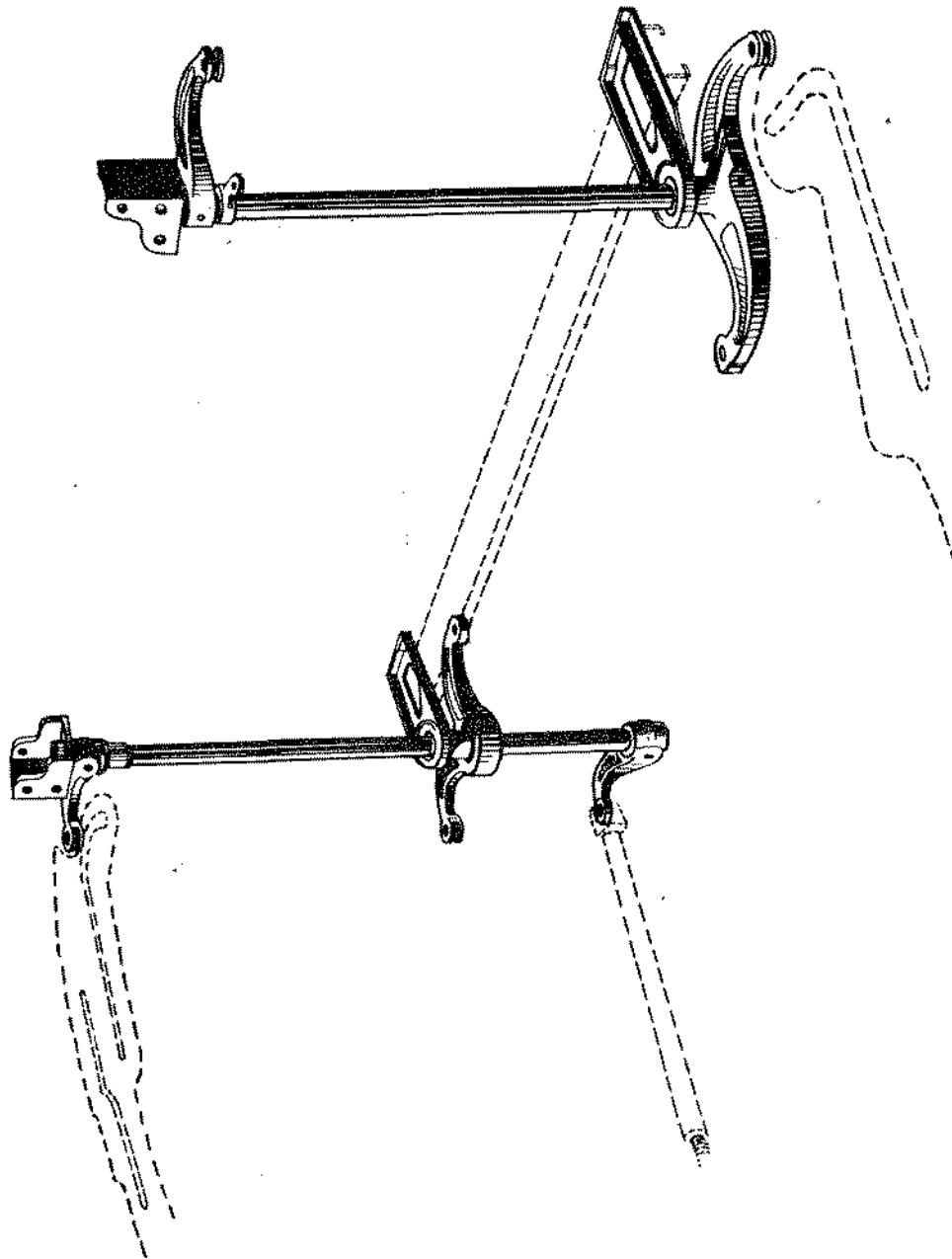
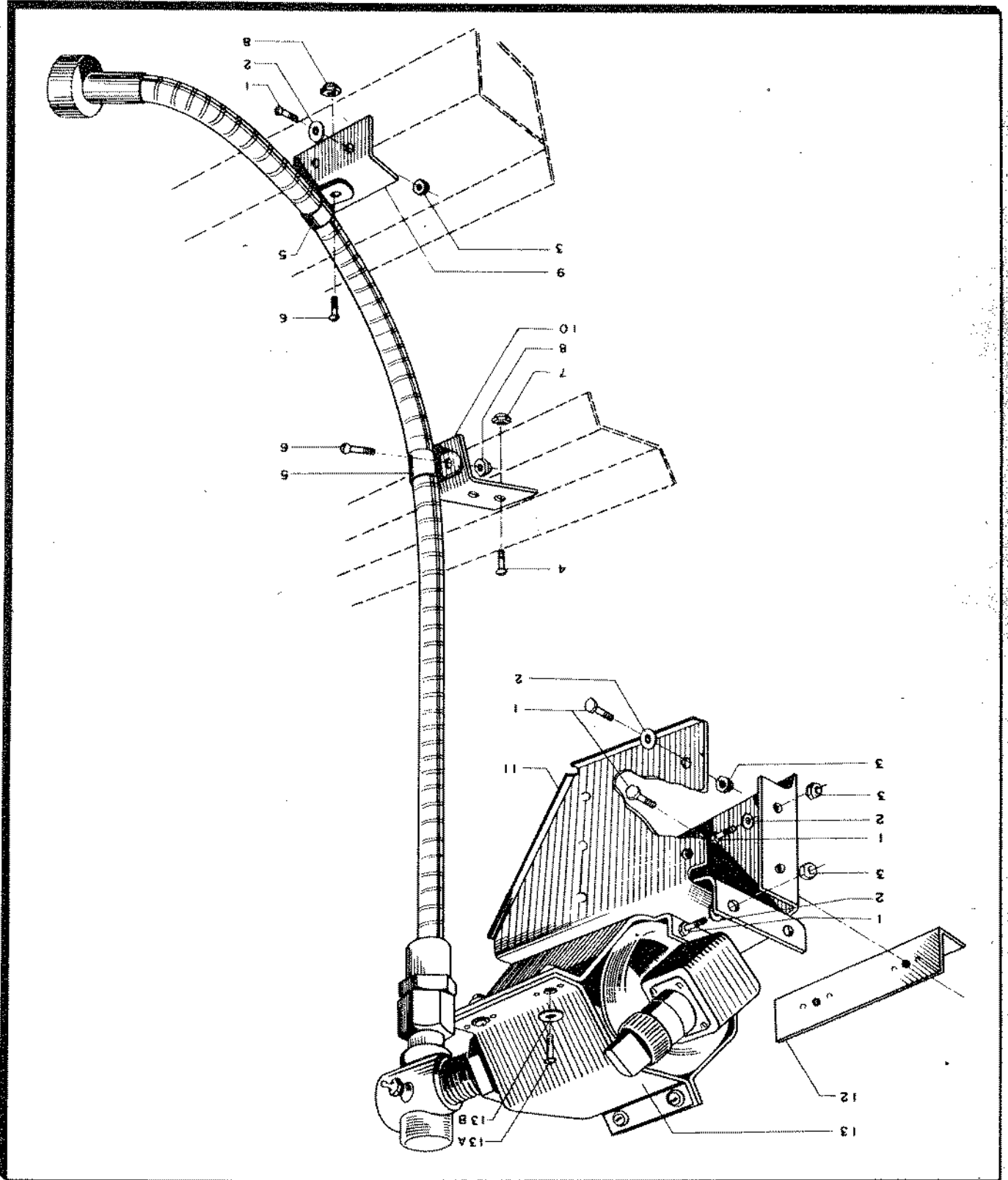


Figure 144A—Shaft Assembly—Intercooler Door Control

Figure 145—Tachometer Generator



Section II
Group Assembly Parts List

RESTRICTED
AN 01-65BC-7

RESTRICTED
AN 01-65BC-4

SECTION II—GROUP ASSEMBLY PARTS LISTS

FIG. NO.	INDEX NO.	S T O C K E D	GROUP POWER PLANT						UNITS PER ASSY	PROPERTY CLASSIFICATION				
			MAJOR ASSEMBLY		TACHOMETER GENERATOR		SUPERCHARGER			U.S. NAVY	U.S. ARMY	BRITISH		
			PART NUMBER	1	2	3	4	5					6	NOMENCLATURE
			89F68326							Installation - Tachometer Generator Supercharger	1		01-N	
145	1		AN 3-4A							Bolt	10		04-A	
145	2		AN 960-D10							Washer	8		04-A	
145	3		AN 365-1032							Nut	8		04-A	
145	4		AN 515-6-5							Screw	2		29	
145	5		S-9795-7							Clamp	2		01-N	
145	6		AN 515-8-6							Screw	2		29	
145	7		AN 365-632							Nut	2		04-A	
145	8		AN 365-832							Nut	2		04-A	
145	9		89F68328							Clip	1		01-N	
145	10		89F68392							Clip	1		01-N	
145	11		89F68324							Bracket Assembly	1		01-N	
145	12		89F68325							Clip	1		01-N	
145	13		89F68323							Clamp	1		01-N	
145	13A		AN 520-10-10							Screw	4		04-A	
145	13B		AN 960-10							Washer	4		04-A	

RESTRICTED

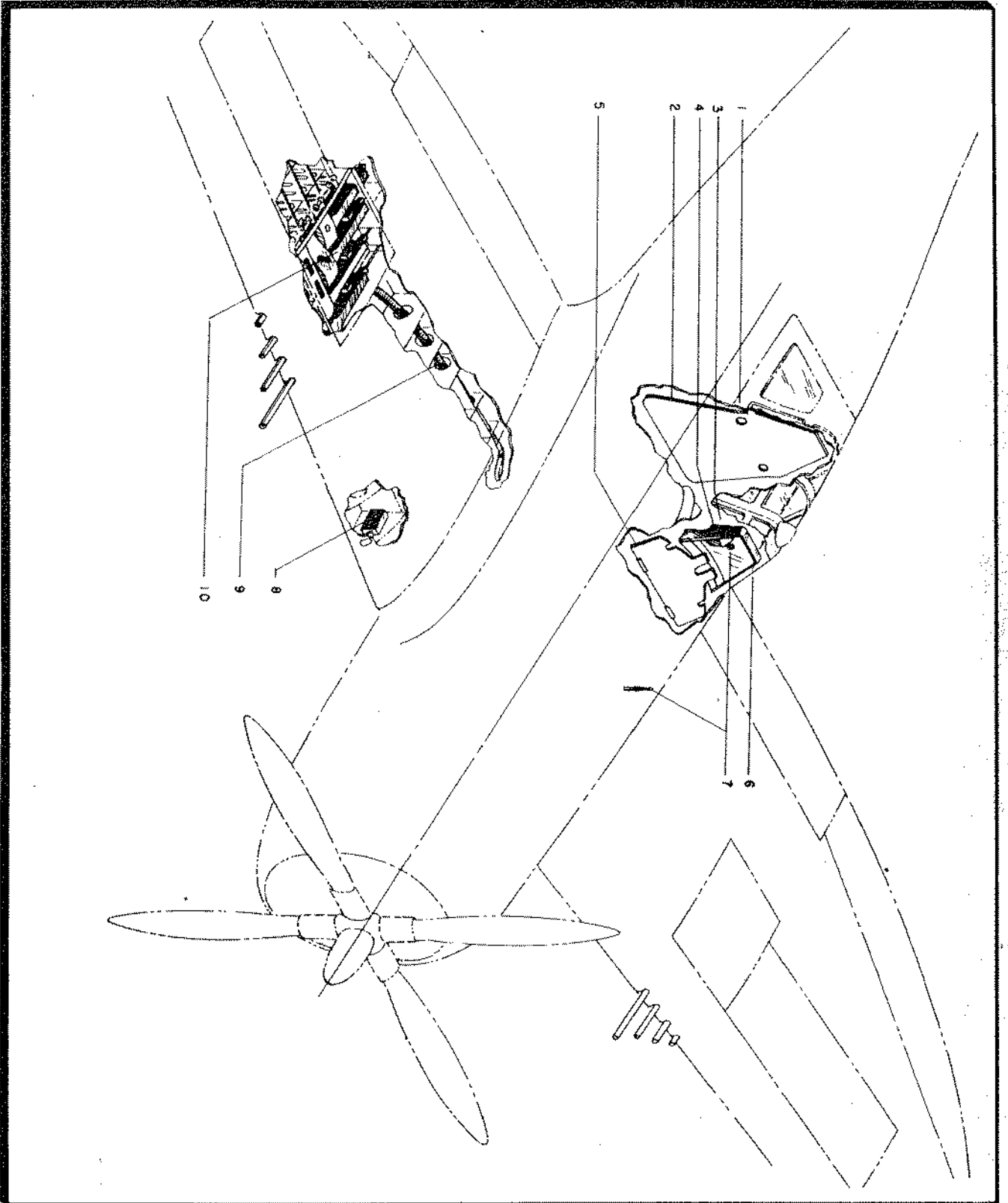


Figure 146—Armament

Section II
Group Assembly Parts List

RESTRICTED
AN 01-65BC-4

RESTRICTED
AN 01-65BC-4
SECTION II—GROUP ASSEMBLY PARTS LISTS

FIG. NO.	INDEX NO.	S T O C K E D	GROUP		ARMAMENT						UNITS PER ASSY	PROPERTY CLASSIFICATION		
			MAJOR ASSEMBLY		INSTALLATION - ARMAMENT							U.S. NAVY	U.S. ARMY	BRITISH
			PART NUMBER		1	2	3	4	5	6				
2	55		89X71000		Installation - Armament									
146	1		89F71155		Installation - Auxiliary - Armor Rear - Fuselage						1			
146	2		89F71109		Installation - Armor Rear Fuselage						1			
146	3		89F71162		Installation - Gun Sight Sun Shade						1			
146	4		89F71101		Installation - Gun Sight						1			
146	5		89F71123		Installation - Armor - Forward Fuselage						1			
146	6		89F71138		Installation - Bullet Proof Glass						1			
146	7		93F71107		Installation - Auxiliary Gun Sight (P-47D-1-RE and up)						1			
146	8		89C77120		Installation - Wing Gun Camera Leading Edge						1			
146	9		89F73207-3		Installation - Gun Bay Heating Controls						1			
146	10		89X73000-5		Installation - Fixed Guns						1			

Unless otherwise noted all parts are in class 01-N.

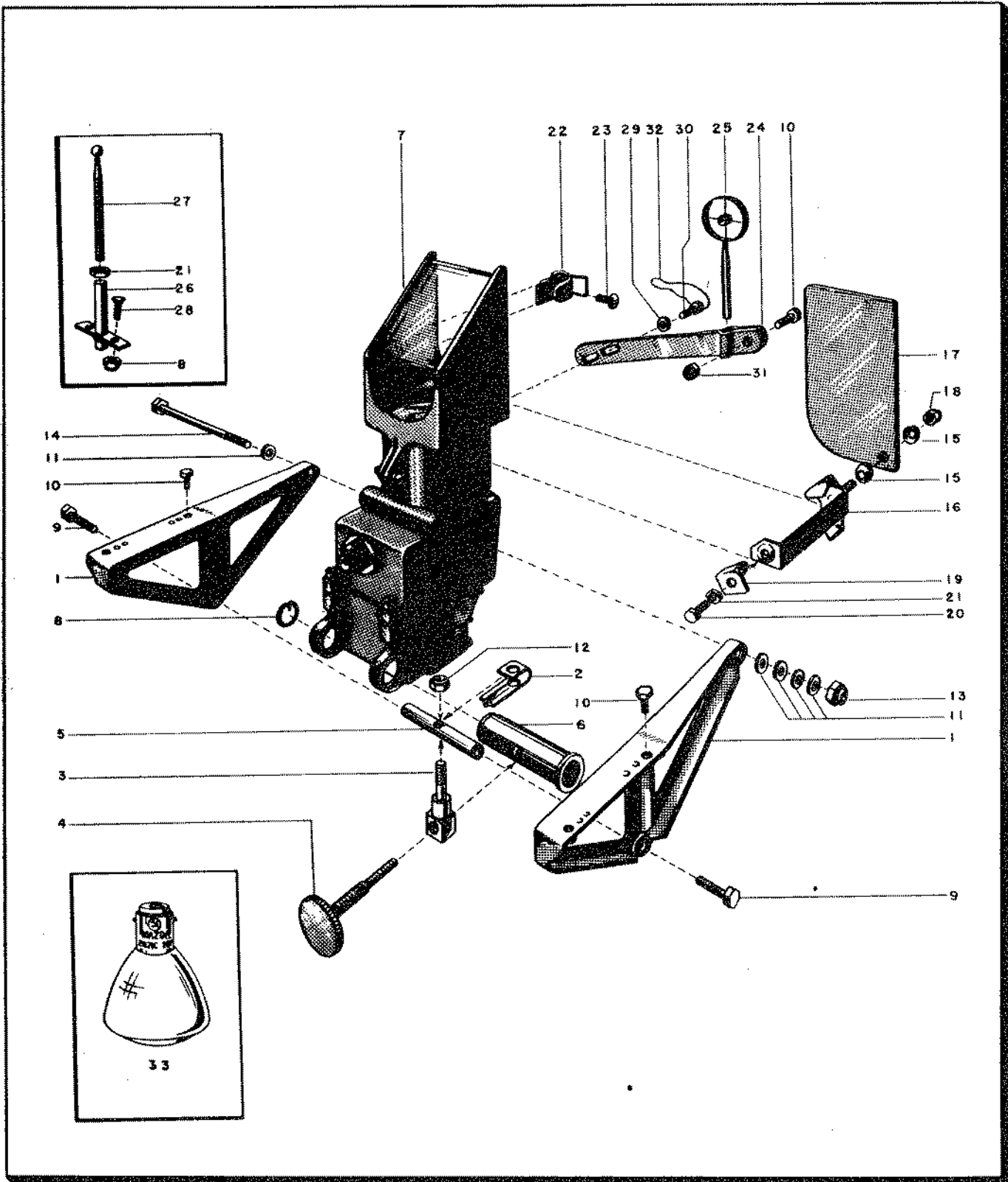


Figure 147—Gun Sight

RESTRICTED
AN 01-65BC-4
SECTION II—GROUP ASSEMBLY PARTS LISTS

FIG. NO.	INDEX NO.	GROUP	ARMAMENT						UNITS PER ASSY	PROPERTY CLASSIFICATION		
			MAJOR ASSEMBLY		GUN SIGHT - SUN SHADE					U.S. NAVY	U.S. ARMY	BRITISH
			PART NUMBER	1	2	3	4	5				
146	4	89X71101							1		01-N	
147	1	89X71104							11-1R		01-N	
147	2	89X71105							1		01-N	
147	3	89X71106							1		01-N	
147	4	89X71108							1		01-N	
147	5	89F71120							1		01-N	
147	6	89F71122							1		01-N	
147	7	42G20092							1		11-B	
147	8	AN996-10							1		04-A	
147	9	AN74-6							2		04-A	
147	10	AN3-5A							4		04-A	
147	11	AN960-D516							5		04-A	
147	12	AN365-428							1		04-A	
147	13	AN365-D524							1		04-A	
147	14	AN5DD37A							1		04-A	
146	3	89F71162							1		01-N	
147	15	89F71158							2		01-N	
147	16	89F71159							1		01-N	
147	17	89F71161							1		01-N	
147	18	AN364-428							1		04-A	
147	19	89F71160							1		01-N	
147	20	AN4-5A							1		04-A	
147	21	AN316-4R							1		04-A	
147	22	89F71102							1		01-N	
147	23	AN526-1032-5							1		29	
146	7	93F71107							1		01-N	
146	7	93F71107-1							1		01-N	
147	24	93F71156							1		01-N	
147	25	93F71166							1		01-N	
147	25	93F71166-7							1		01-N	
147	26	93F71167							1		01-N	
147	27	93F71168							1		01-N	
147	27	93F71168-1							1		01-N	
147	28	8-52-10-1							1		01-N	
147	10	AN3-5A							1		04-A	
147	29	AN960-10L							2		04-A	
147	21	AN316-4R							1		04-A	
147	30	AN503-10-8							2		04-A	
147	31	AN365-1032							3		04-A	
147	32	AN995-41-4							1		04-A	
147	33	28 Volt-R.P.-11							1		08-B	

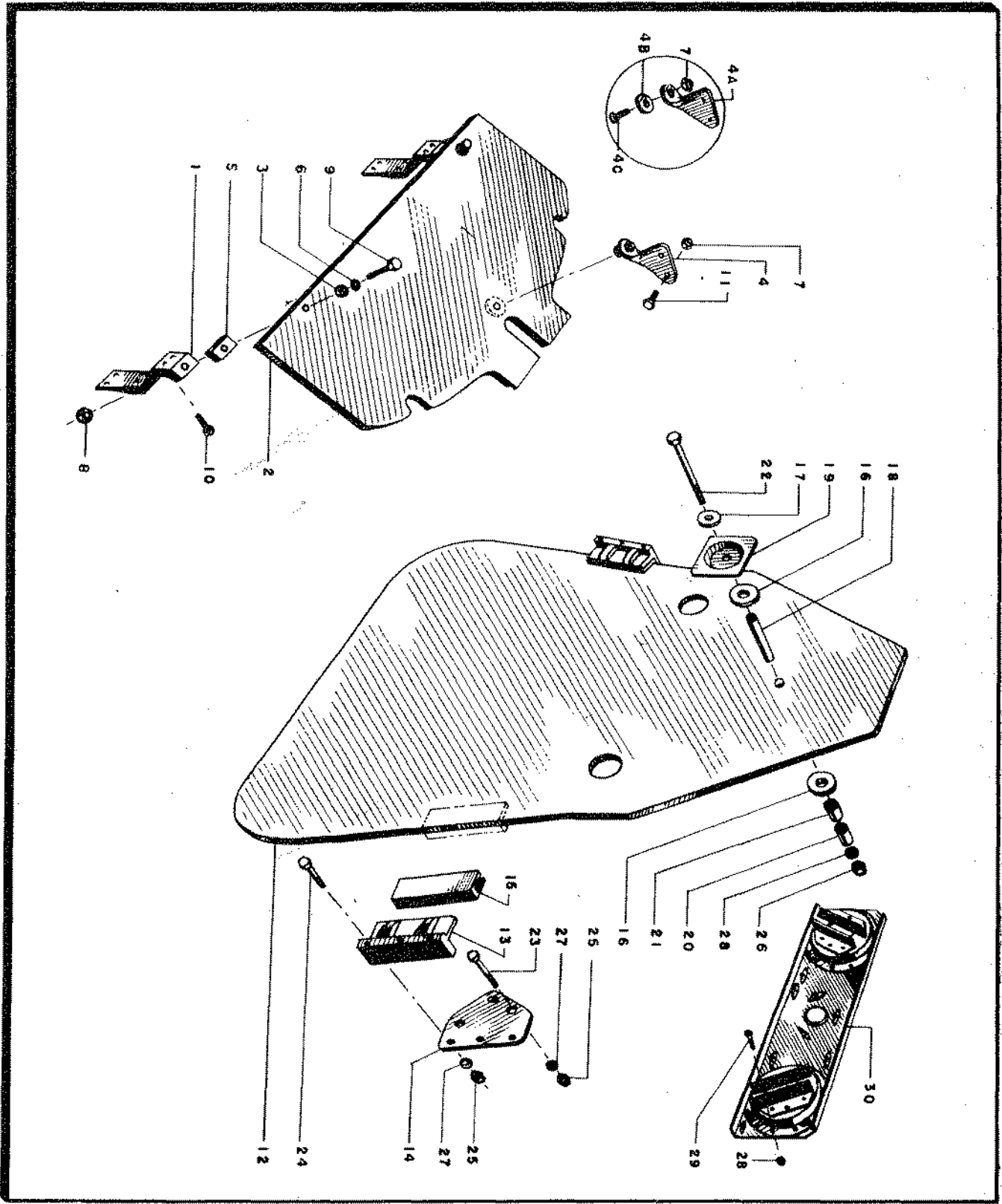


Figure 148—Forward—Rear and Auxiliary Armor

Section II
Group Assembly Parts List

RESTRICTED
AN C1-65BC-4

SECTION II—GROUP ASSEMBLY PARTS LISTS

FIG. NO.	INDEX NO.	STOCKED	GROUP						UNITS PER ASSY	PROPERTY CLASSIFICATION		
			ARMAMENT							U.S. NAVY	U.S. ARMY	BRITISH
			MAJOR ASSEMBLY	INSTALL. ARMOR FORWARD FUSELAGE								
PART NUMBER	1	2	3	4	5	6	NOMENCLATURE					
146	5		89F71123						Installation - Armor Forward Fuse-	1		01-N
									lage			
148	1		89F11658						Support	2		01-N
148	2		89F71124						Armor Plate	1		01-N
148	3		89F71135						Washer	2		01-N
148	4		89F71140						Brace Assembly	1		01-N
148	4A		89F71141						Brace	1		01-N
148	4B		89F71142						Pad	1		01-N
148	4C		AN 526-1032-10						Screw	1		29
148	5		89F71144						Pad	2		04-A
148	6		AN 960-516						Washer	2		04-A
148	7		AN 365-1032						Nut	2		04-A
148	8		AN 365-524						Nut	2		04-A
148	9		AN 5-15A						Bolt	2		04-A
148	10		AN 3-10A						Bolt	4		04-A
148	11		AN 3-5A						Bolt	2		04-A
146	2		89F71109						Installation - Armor Rear Fuselage	1		01-N
148	12		89F71110						Armor Plate	1		01-N
148	13		89F71111						Clamp	2		01-N
148	14		89F71112						Bracket	L/R		01-N
148	15		S-130-41						Pad	2		01-N
148	16		89F71114						Spacer	2		01-N
148	17		89F71115						Washer	1		01-N
148	18		89F71116						Support	1		01-N
148	19		89F71117						Retainer Assembly	1		01-N
148	20		89F71143						Spacer	1		01-N
148	21		89F71113						Spacer	1		01-N
148	22		AN 6-4A						Bolt	1		04-A
148	23		AN 510-C416-40						Screw	6		29
148	24		AN 4-20A						Bolt	6		04-A
148	25		AN 365-428						Nut	12		04-A
148	26		AN 365-524						Nut	1		04-A
148	27		AN 960-D436						Washer	12		04-A
			AN 960-D616						Washer	1		04-A
148	28		AN 365-1032						Nuts	4		04-A
148	29		AN 3-20A						Bolts	4		04-A
148	30		89F71153						Armor Assembly	1		01-N

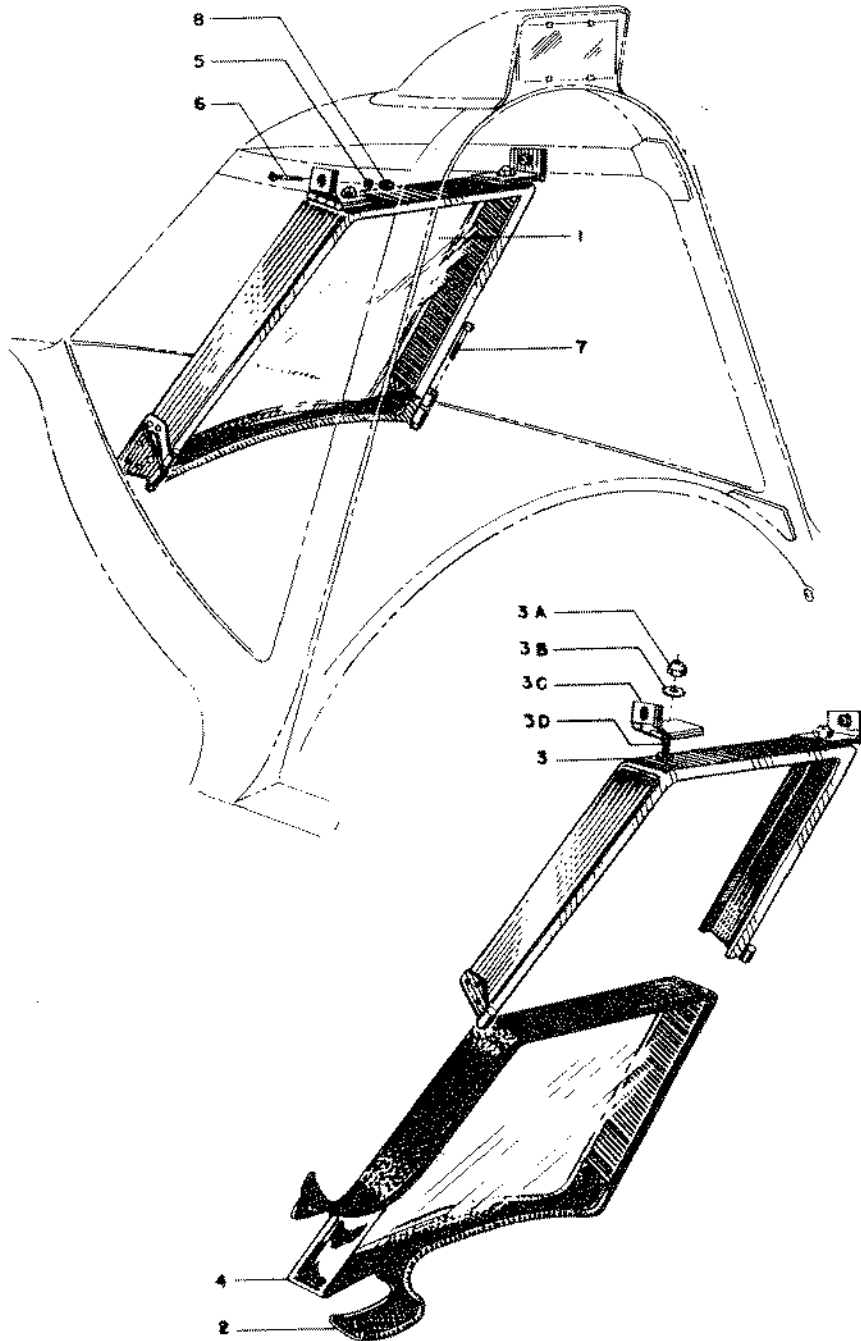


Figure 149—Bullet Proof Glass

RESTRICTED
AN 01-65BC-4
SECTION II—GROUP ASSEMBLY PARTS LISTS

FIG. NO.	INDEX NO.	STOCKED	GROUP						UNITS PER ASSY	PROPERTY CLASSIFICATION			
			MAJOR ASSEMBLY		ARMAMENT					U.S. NAVY	U.S. ARMY	BRITISH	
			INSTALLATION - BULLET PROOF GLASS		NOMENCLATURE								
PART NUMBER	1	2	3	4	5	6							
146	6		89F71138						Installation - Bullet Proof Glass	1		01-N	
149	1		89F71137						Glass Assembly	1		01-N	
149	2		89F71137-1						Felt	As Req.		01-N	
149	3		89F71139						Frame Assembly	1		01-N	
149	3A		AN365-428						Nut	2		04-A	
149	3B		89F71165						Washer	2		01-N	
149	3C		89F71133						Hinge Assembly	11-1R		01-N	
149	4		89F71119						Glass	1		01-N	
149	5		89F71163						Washer	2		01-N	
149	6		S-52-10-12						Screw	2		01-N	
149	7		AN3-13A						Bolt	2		04-A	
149	8		AN365-1032						Nut	2		04-A	

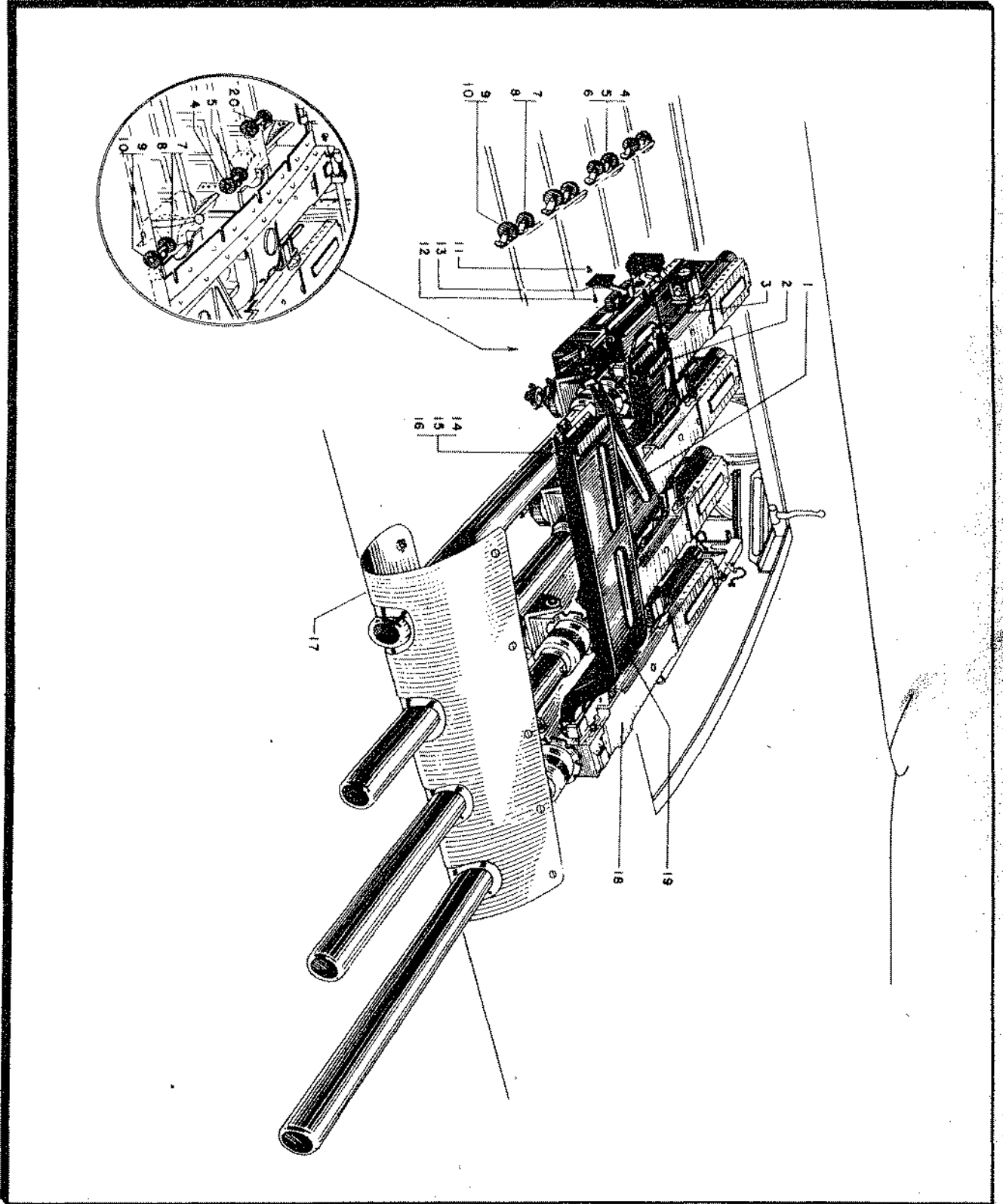


Figure 150—Fixed Guns

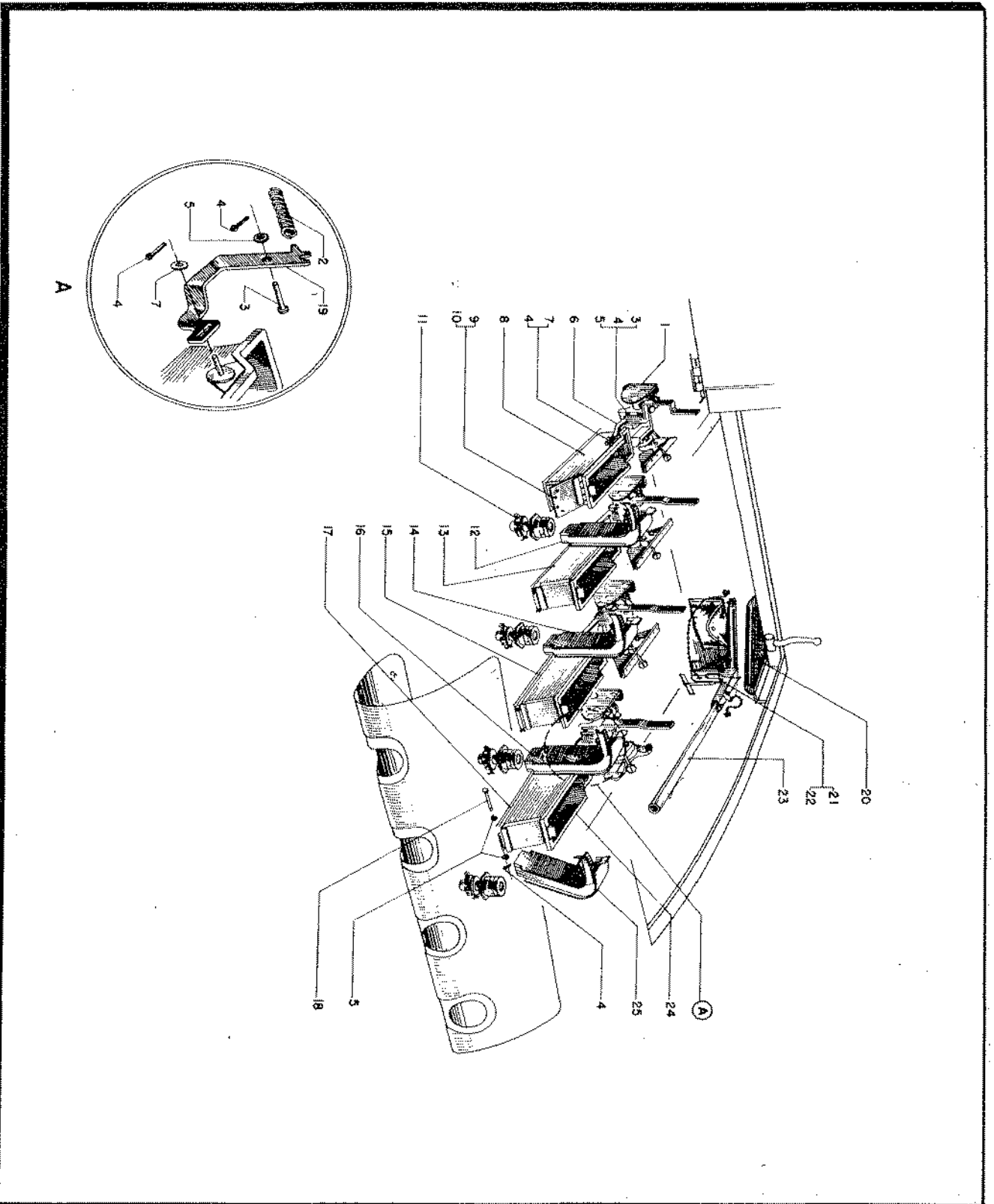
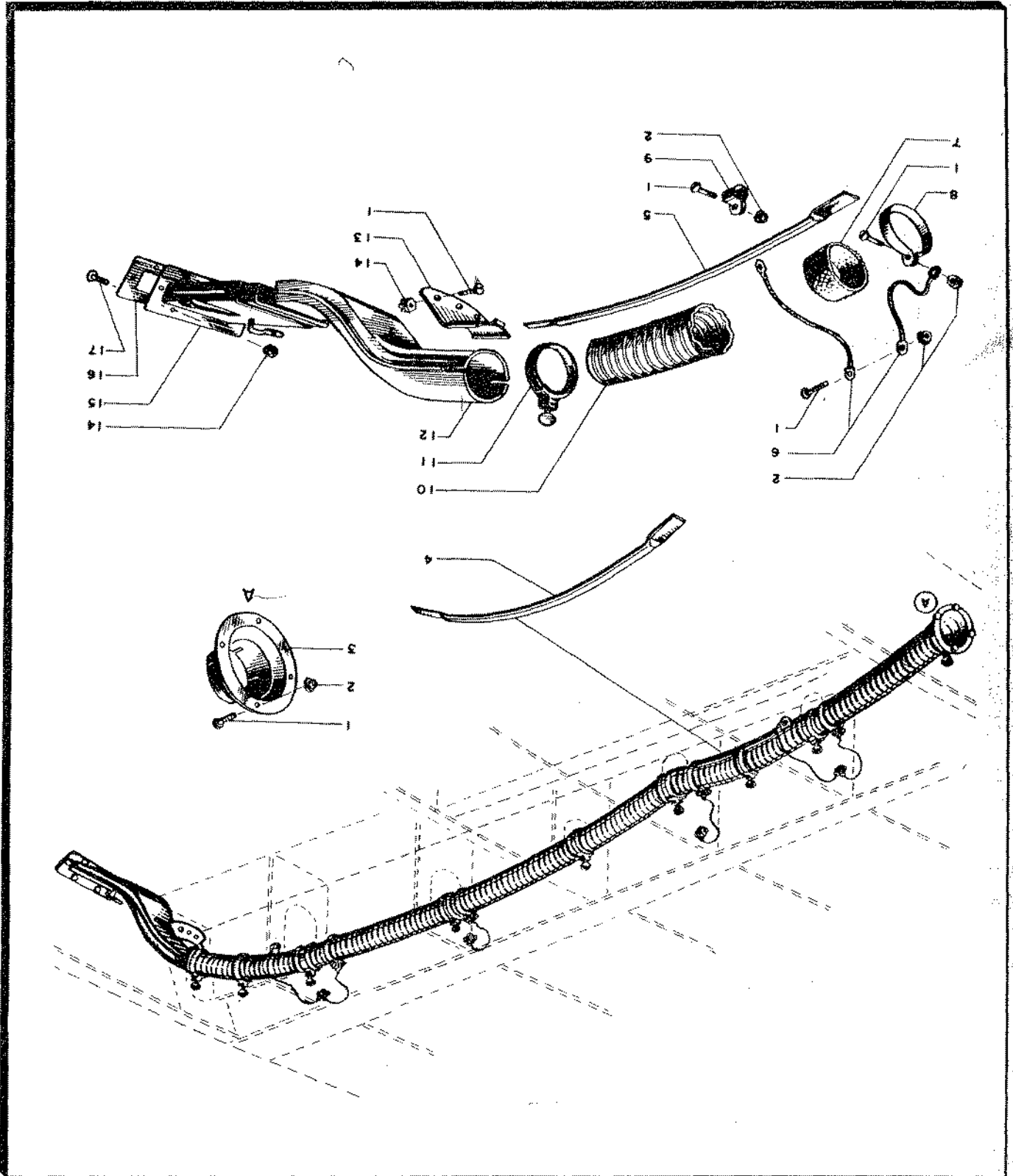


Figure 151—Fixed Gun Details

Figure 152—Gun Bay Heating Provision



Section II
Group Assembly Parts List

RESTRICTED
AN 01-65BC-4

RESTRICTED
AN 01-65BC-4
SECTION II—GROUP ASSEMBLY PARTS LISTS

FIG. NO.	INDEX NO.	STOCKED	GROUP						ARMAMENT						PROPERTY CLASSIFICATION			
			MAJOR ASSEMBLY INSTALLATION - GUN BAY HEATING PROVISION												UNITS PER ASSEY	U.S. NAVY	U.S. ARMY	BRITISH
			PART NUMBER	1	2	3	4	5	6	NOMENCLATURE								
			89X73103										Installation - Gun Bay Heating Provision	1			01-N	
152	1		AN515-8-7										Screw	17			29	
152	2		365-832										Nut	14			04-A	
152	3		89073205										Collar	1			01-N	
152	4		89073489-1										Brace	1			01-N	
152	5		89073489-2										Brace	1			01-N	
152	6		5ATJ6-6										Jumper (Thomas & Betts Co.)	6			08-B	
152	7		89073447-2										Insulator	5			01-N	
152	8		AN735-32										Clamp	4			04-A	
152	9		AN735-6										Clamp	2			04-A	
152	10		89X73103-1										Duct	1			01-N	
152	11		AN745-5A										Clamp Hose	9			04-A	
152	12		89F73199-2										Duct	1			01-N	
152	13		89073206										Support	1			01-N	
152	14		372-832										Nut	9			04-A	
152	15		89F73198										Duct Assembly	1L			01-N	
152	16		89F73209										Gasket	1			01-N	
152	17		AN526-832-8										Screw	6			29	

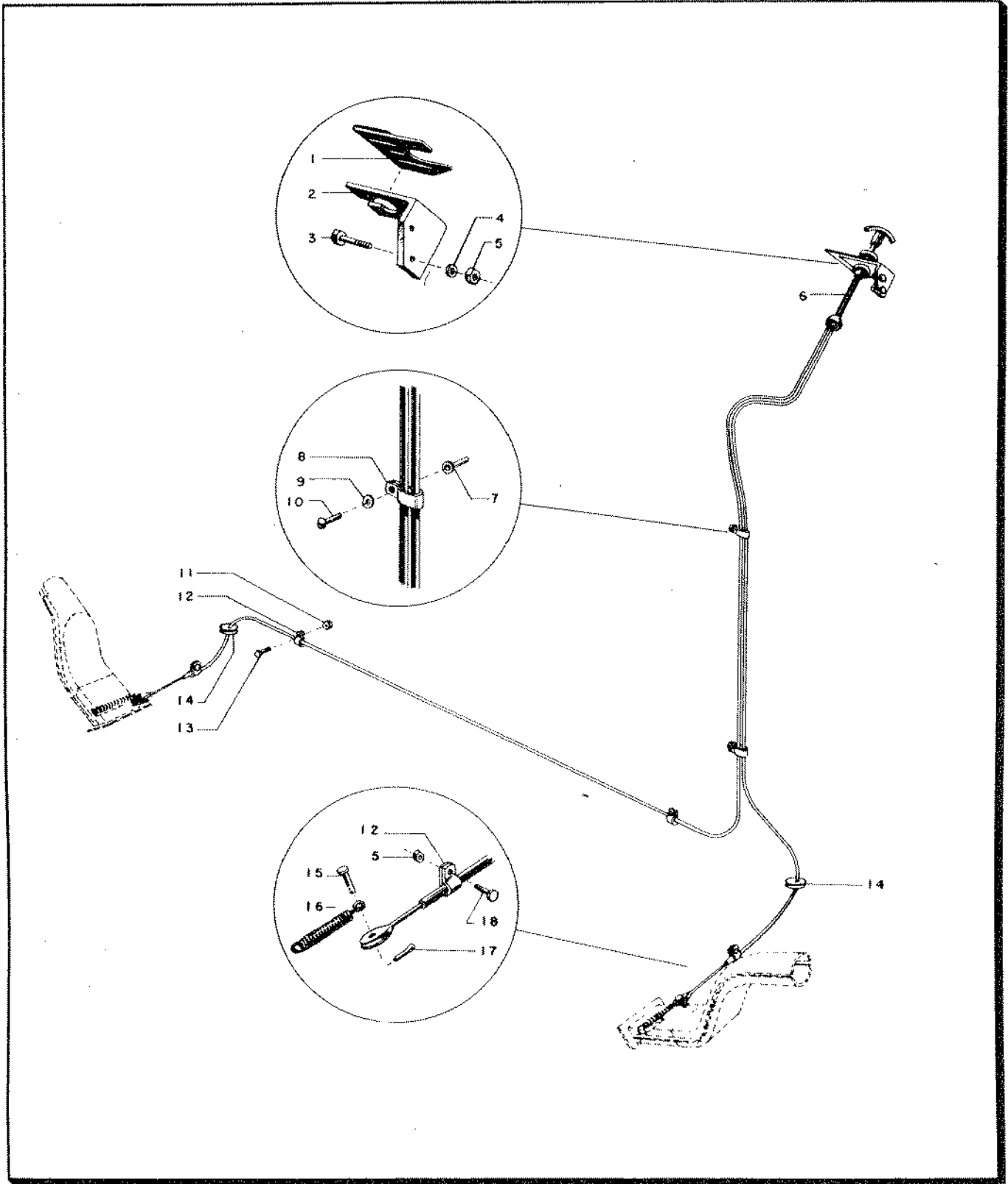


Figure 153—Gun Bay Heating Provision Controls

RESTRICTED
AN 01-65BC-4
SECTION II—GROUP ASSEMBLY PARTS LISTS

FIG. NO.	INDEX NO.	S T Y C K E D	GROUP ARMAMENT						UNITS PER ASSY	PROPERTY CLASSIFICATION				
			MAJOR ASSEMBLY		GUN BAY HEATING PROVISION CONTROLS					U.S. NAVY	U.S. ARMY	BRITISH		
			PART NUMBER	1	2	3	4	5					6	NOMENCLATURE
146	9		89F73207-3								1		01-N	
153	1		89F73495								1		01-N	
153	2		89F73105								1		01-N	
153	3		AN 3-5A								2		04-A	
153	4		AN 960-D10								2		04-A	
153	5		AN 365-1032								4		04-A	
153	6		89F73210-2								1		01-N	
153	7		6K-45								2		29	
153	8		S-9795-5								2		01-N	
153	9		AN 935-6								2		04-A	
153	10		AN 515-6-6								2		29	
153	11		AN 365-832								2		04-A	
153	12		S-9795-4								4		01-N	
153	13		AN 505-8-8								2		29	
153	14		AN 931-4-16								2		04-B	
153	15		AN 392-11								2		04-A	
153	16		89F73208								2		01-N	
153	17		AN 380-2-2								2		29	
153	18		AN 3-5A								2		04-A	

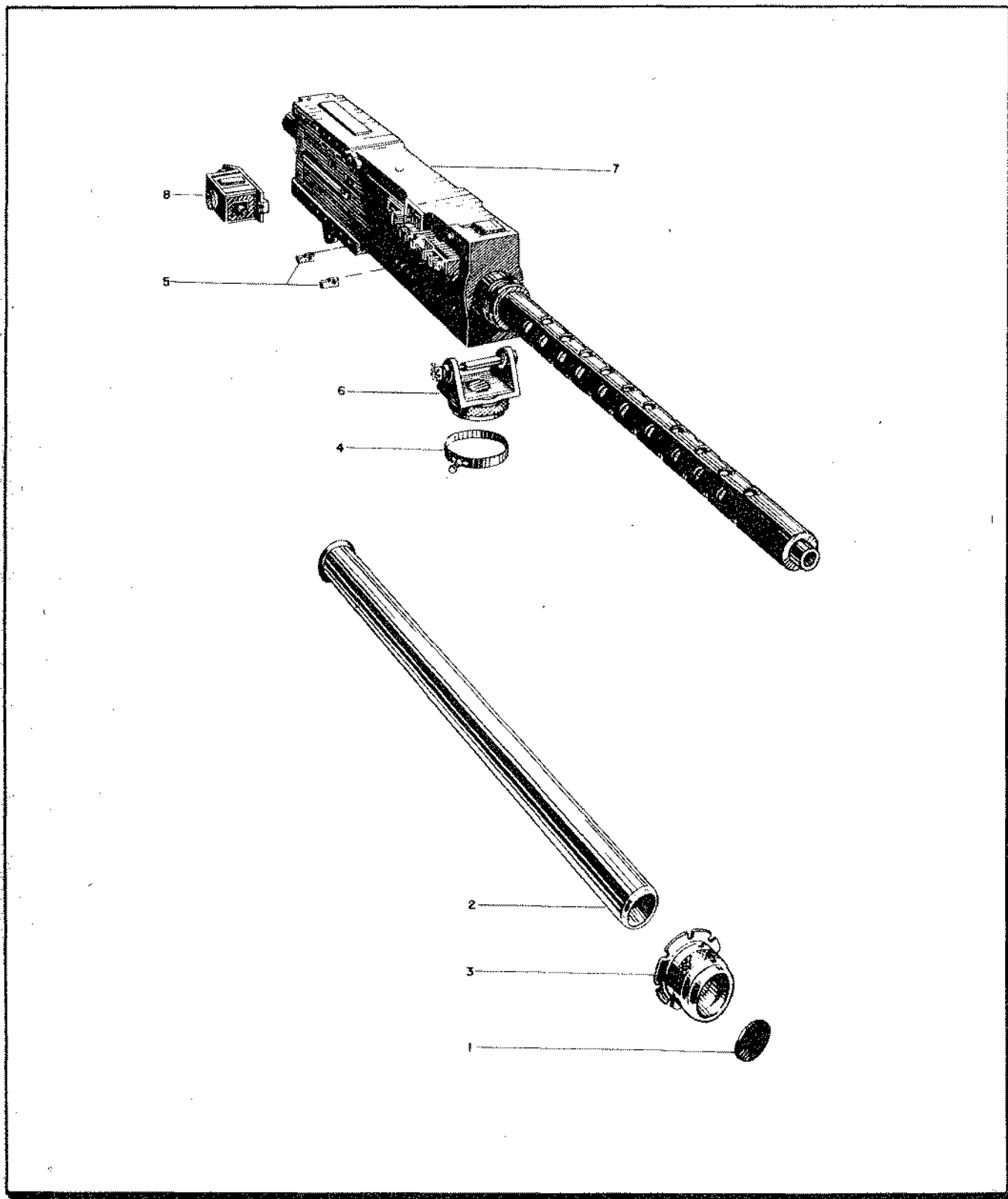


Figure 154—Wing Gun Access Equipment

SECTION II—GROUP ASSEMBLY PARTS LISTS

FIG. NO.	INDEX NO.	STOCKED	GROUP						UNITS PER ASSY	PROPERTY CLASSIFICATION			
			ARMAMENT							U.S. NAVY	U.S. ARMY	BRITISH	
			MAJOR ASSEMBLY		WING GUN ACCESSORY EQUIPMENT								
PART NUMBER	1	2	3	4	5	6	NOMENCLATURE						
150	18		89C73275-3						Installation - Wing Gun Accessory Equipment	L/R		01-N	
154	1		89C73127						Plug	1		01-N	
154	2		89C73149						Sleeve	1		01-N	
154	3		89C73283						Nut Assembly	1		01-N	
154	4		89C73332						Release Clamp	1		01-N	
154	5		89C73393						Lug (Ammunition Feed Chute)	2		01-N	
154	6		32B1644						Bolt & Bracket Assembly - Gun Trunnion, Type A-3 (GFE)	1		11-B	
154	7		H39G5332						Calibre .50 Model M-2 Machine Gun (GFE)	1		Ord.	
154	8		H41D10358						Solenoid - Type G-9 (GFE)	1		11-B	

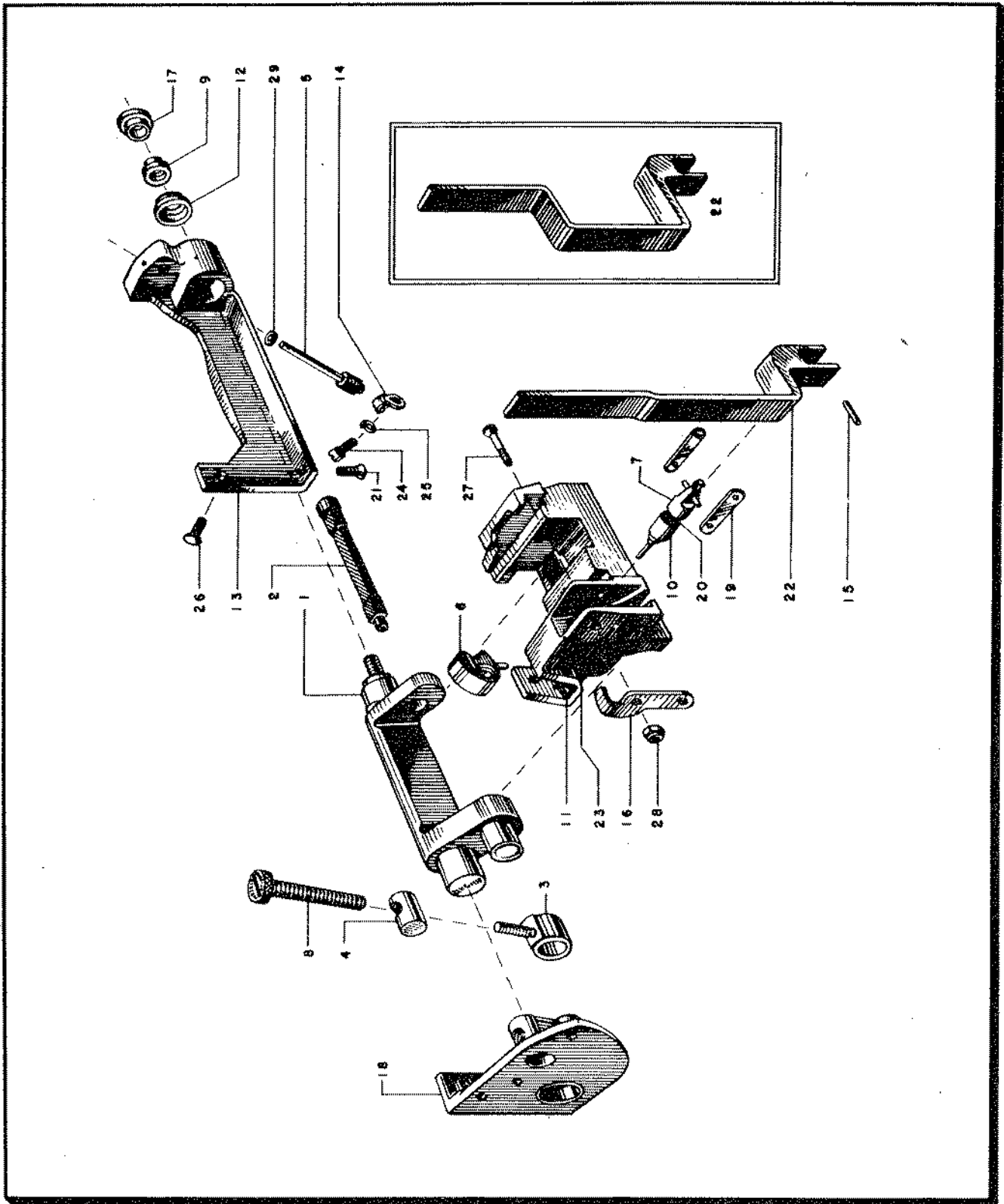


Figure 155—Wing Gun Rear Mounts

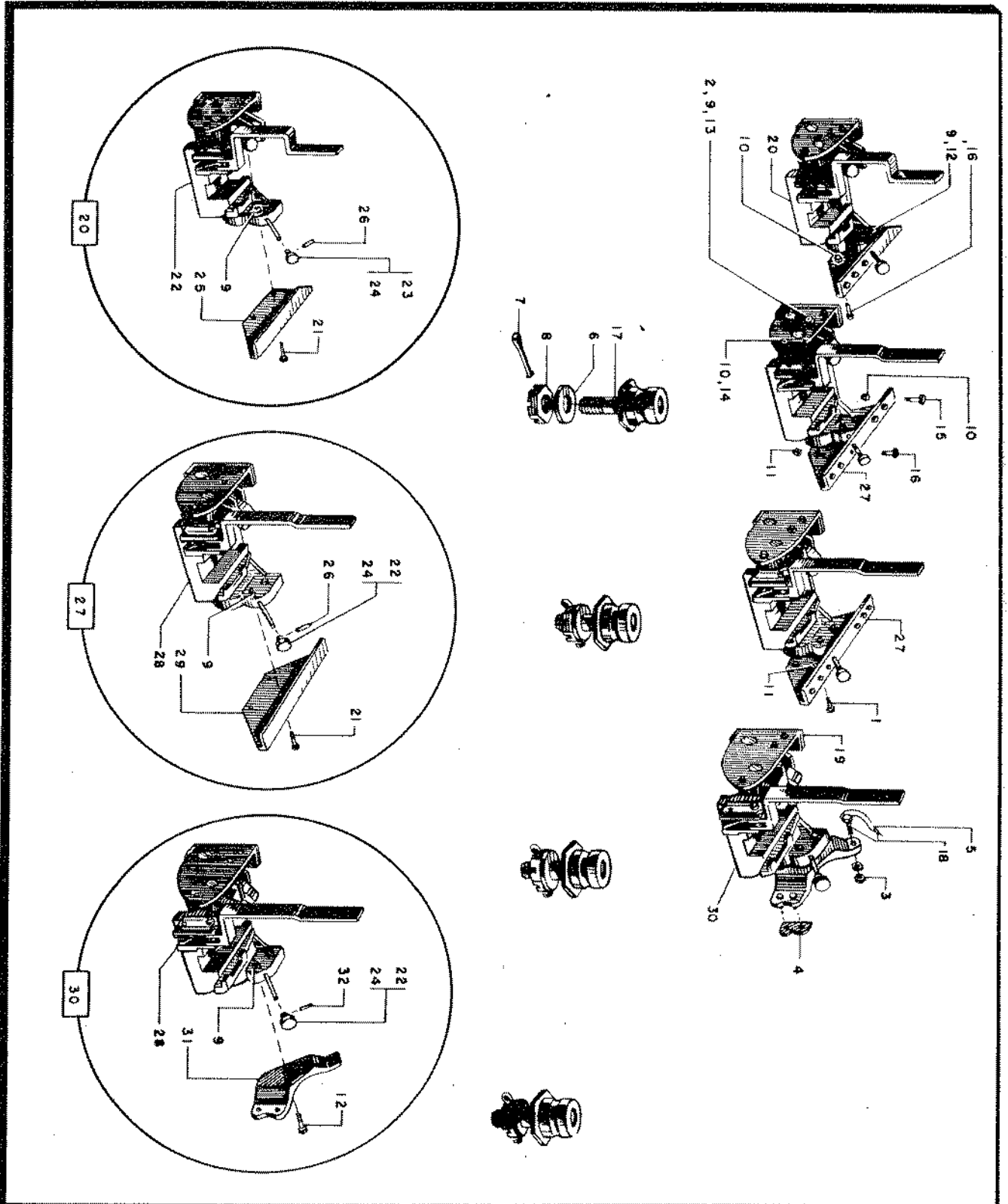


Figure 156—Gun Rear Mounts and Trunnion Posts

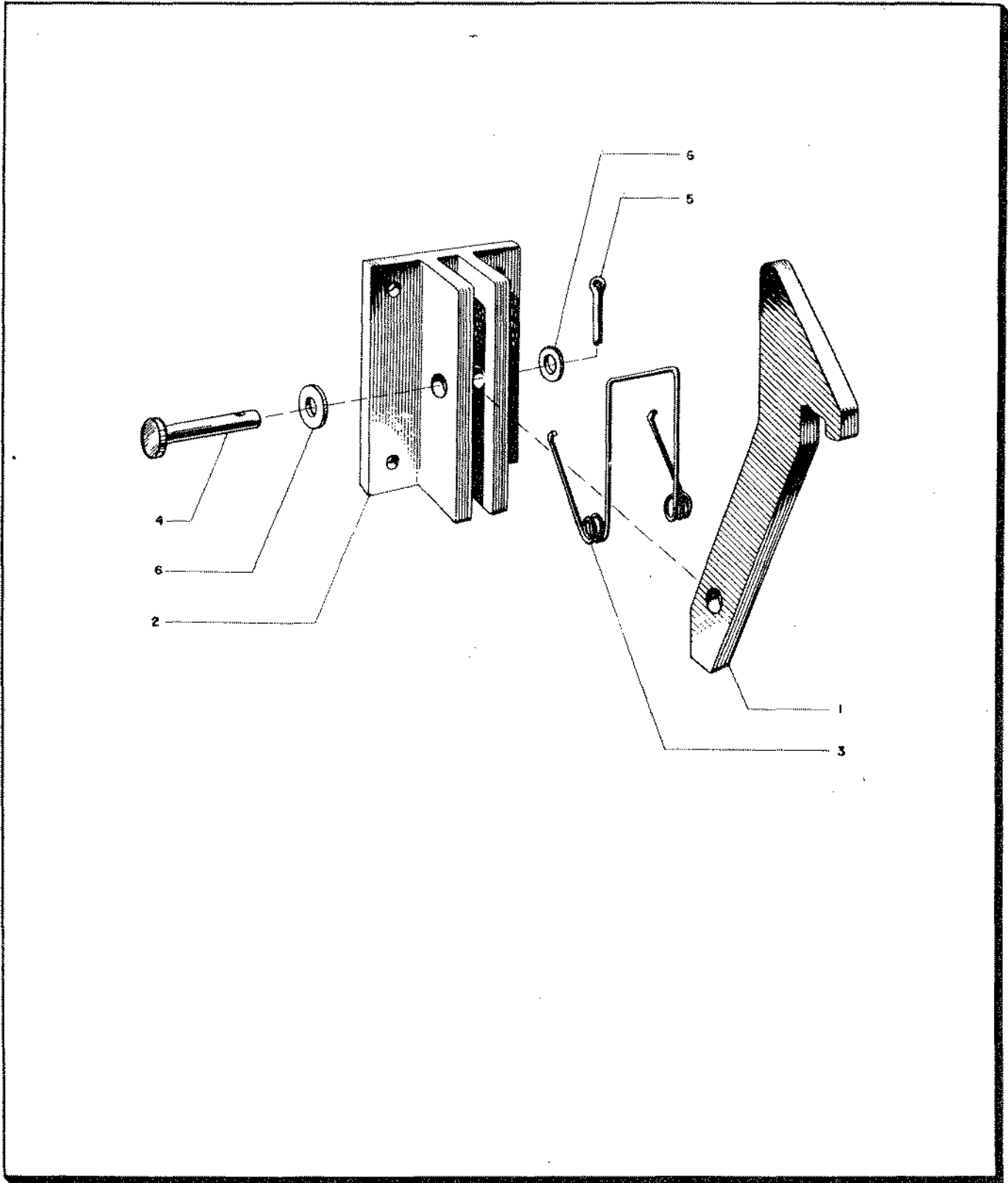


Figure 157—Latch Assembly

RESTRICTED
AN 01-65BC-4
SECTION II—GROUP ASSEMBLY PARTS LISTS

FIG. NO.	INDEX NO.	STOCKED	GROUP						ARMAMENT						UNITS PER ASSY	PROPERTY CLASSIFICATION		
			MAJOR ASSEMBLY		LATCH ASSEMBLY #4		REAR GUN MOUNT									U.S. NAVY	U.S. ARMY	BRITISH
			PART NUMBER		1	2	3	4	5	6	NOMENCLATURE							
150	13		89073449												1			01-N
157	1		89073441												1			01-N
157	2		89073448												1			01-N
157	3		89073121												1			01-N
157	4		AN393-21												1			01-A
157	5		AN380-2-2												1			01-A
157	6		AN960-10L												2			01-A

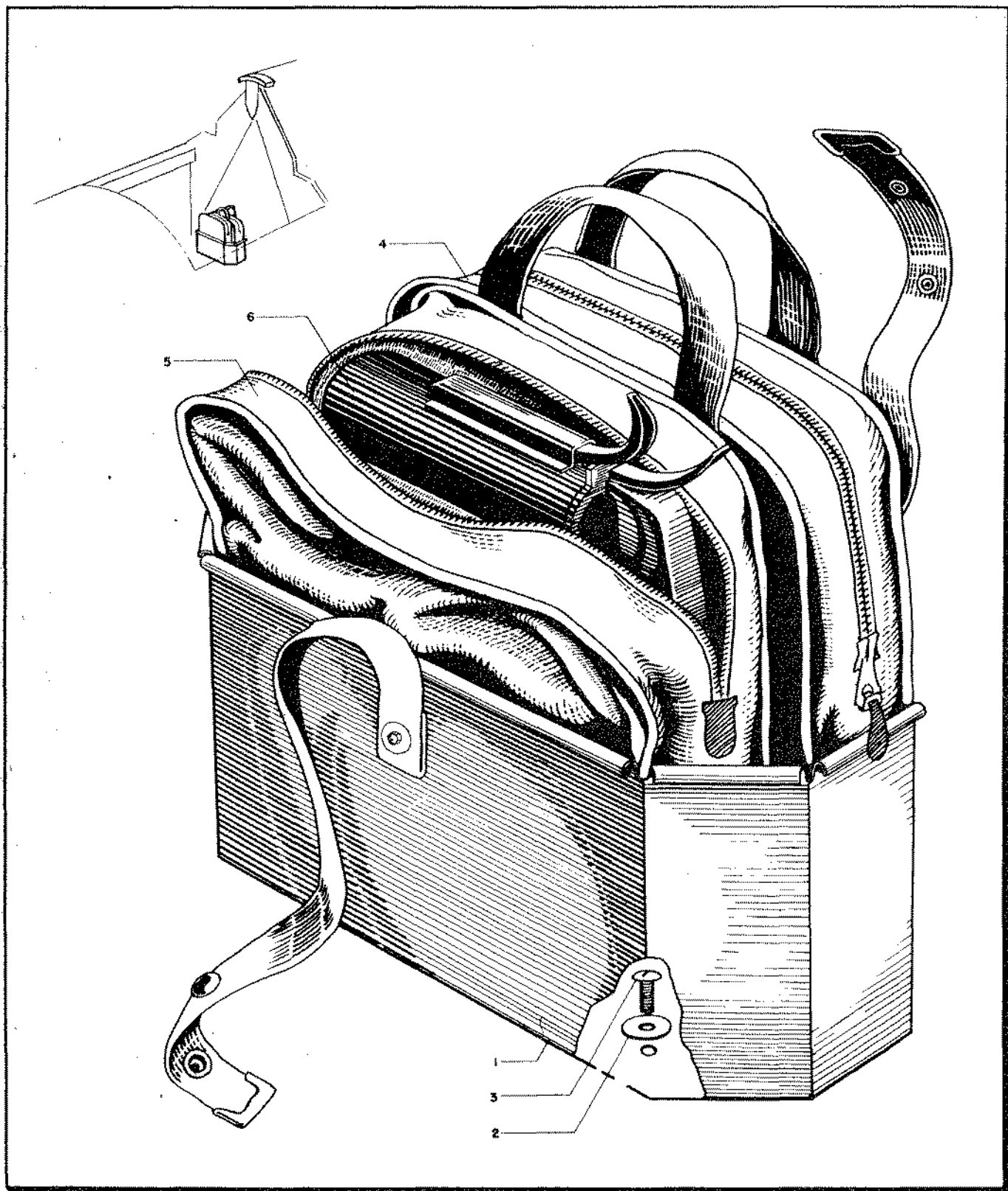


Figure 158—Pyrotechnics

RESTRICTED
AN 01-65BC-4
SECTION II—GROUP ASSEMBLY PARTS LISTS

FIG. NO.	INDEX NO.	SYMBOL	GROUP						ARMAMENT		UNITS PER ASSY	PROPERTY CLASSIFICATION								
			MAJOR ASSEMBLY		INSTALLATION - PYROTECHNICS							U.S. NAVY	U.S. ARMY	BRITISH						
			PART NUMBER		1	2	3	4	5	6					NOMENCLATURE					
2	23		89X76000																	
158	1		89X76101								1									
158	2		S-9125-1								4									
158	3		AN526-832-9								4									
158	4		42G2215								1									
158	5		41G8920								1									
158	6		H41D10594								1									

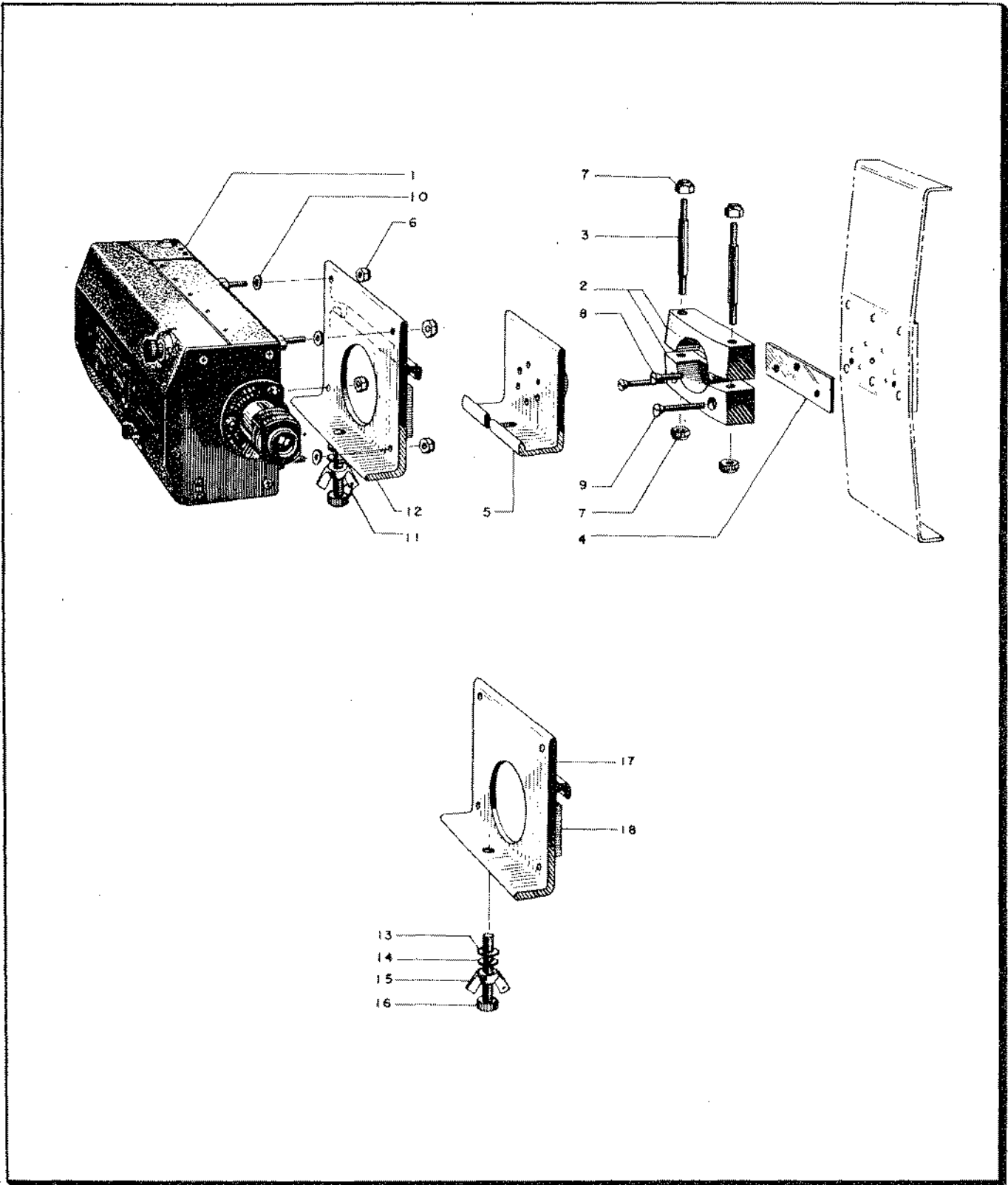


Figure 159—Wing Gun Camera

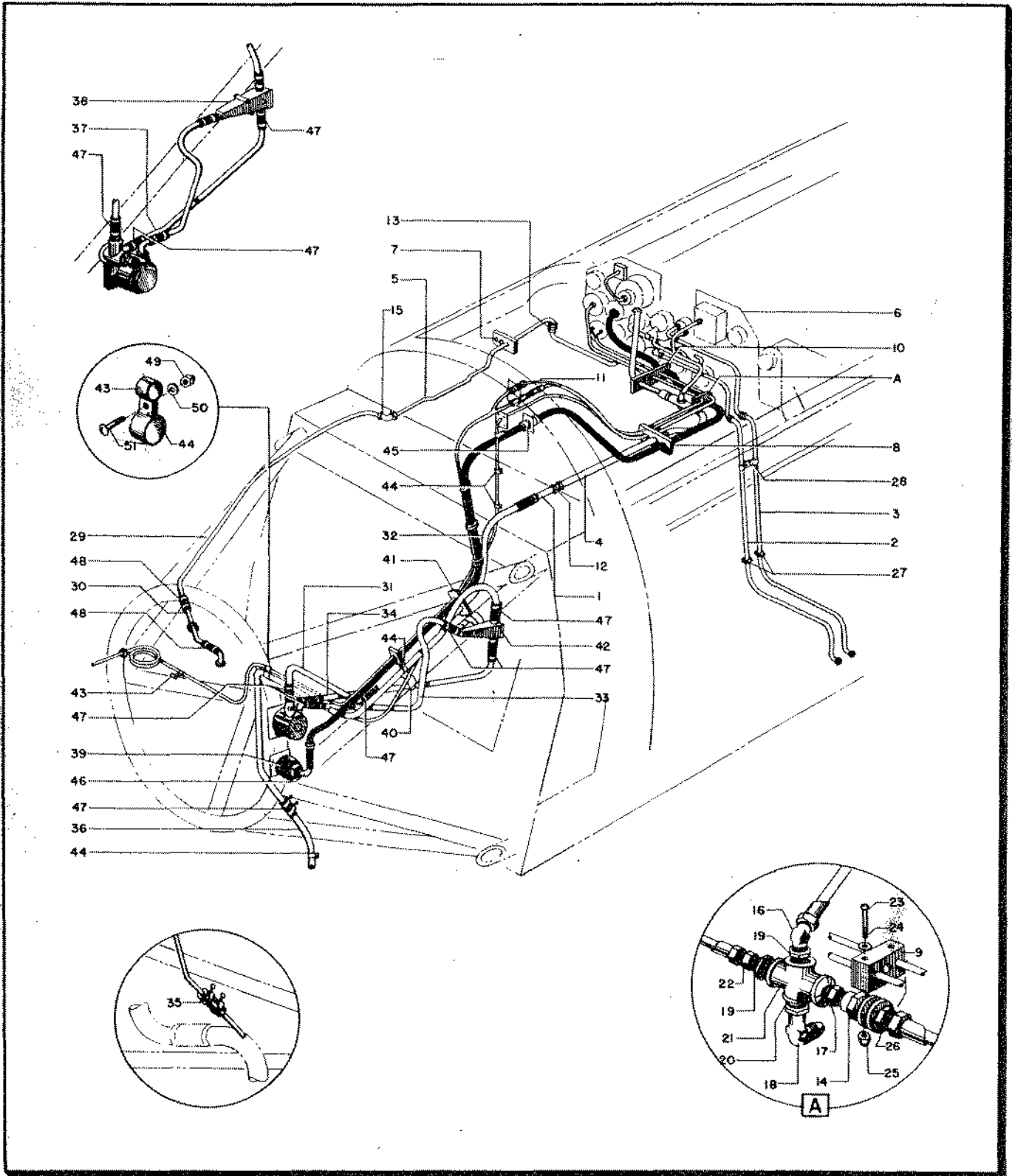


Figure 160—Instruments—(Engine and Fuselage)

RESTRICTED
AN 01-65BC-4
SECTION II—GROUP ASSEMBLY PARTS LISTS

FIG. NO.	INDEX NO.	SYMBOL	GROUP		INSTRUMENTS							UNITS PER ASSY	PROPERTY CLASSIFICATION		
			MAJOR ASSEMBLY		INSTALLATION								U.S. NAVY	U.S. ARMY	BRITISH
			PART NUMBER		1	2	3	4	5	6	NOMENCLATURE				
2	13		89X81000		Installation - Instruments - (P-47B, P-47C)							1			
2	13		93X81000		Installation - Instruments - (P-47D)							1			
			89F81001-20		Installation-Instruments - (Fuselage) (P-47C-1-RE, P-47C-2-RE)							1			Unless otherwise noted all parts are in class 01-N.
			89F81001-30		Installation-Instruments-(Fuselage) (P-47C-5-RE)							1			
			89F81001-40		Installation-Instruments-(Fuselage) (P-47D-RE)							1			
			89F81001-50		Installation-Instruments-(Fuselage) (P-47D-1-RE and up)							1			
160	1		89F81001-1		Tube Assembly							1			
160	2		89F81001-2		Tube Assembly							1			
160	3		89F81001-3		Tube Assembly							1			
160	4		89F81001-5		Tube Assembly							1			
160	5		89F81001-6		Tube Assembly							1			
160	6		93F81110		Installation-Instrument Panel (P-47D-RE and up)							1			
160	6		89F81110-52		Installation-Instrument Panel (P-47C-1-RE and P-47C-2-RE)							1			
160	6		89F81110-53		Installation-Instrument Panel (P-47C-5-RE)							1			
160	7		89F81114-8		Block Assembly							1			
160	8		89F81114-9		Block Assembly							1			
160	9		89F81114-10		Block Assembly							1			
160	10		89F81114-11		Block Assembly							1			
160	11		S-131-15-10		Thermocouple Leads							1			
160	12		3115-1HT-8D		Bulkhead Connection - (Parker Appliance Co.)							1		04-A	
160	13		3115-1HT-4D		Bulkhead Connection - (Parker Appliance Co.)							4		04-A	
			3115-1GT-8D		Bulkhead Connection - (Parker Appliance Co.)							1		04-A	
160	15		3115-1ET-4D		Bulkhead Elbow - (Parker Appliance Co.)							1		04-A	
160	16		811CT-45°-6D		Elbow							1		04-A	

RESTRICTED
AN 01-65BC-4
SECTION II—GROUP ASSEMBLY PARTS LISTS

FIG. NO.	INDEX NO.	STOCKED	GROUP		INSTRUMENTS						UNITS PER ASSY	PROPERTY CLASSIFICATION		
			MAJOR ASSEMBLY		INSTALLATION							U.S. NAVY	U.S. ARMY	BRITISH
			PART NUMBER	1	2	3	4	5	6	NOMENCLATURE				
160	17		AN911-3D								1		04-A	
160	18		811CT-4D								1		04-A	
160	19		AN912-2D								2		04-A	
160	20		AN912-3D								1		04-A	
160	21		AN918-3D								1		04-A	
160	22		811FT-6D								1		04-A	
160	23		AN515-5-24								2		29	
160	24		AN960-D6								2		04-A	
160	25		AN365-832								2		04-A	
160	26		39B1024-8D								2		04-A	
160	27		AN931-4-16								2		04-B	
160	28		S-9795-4								2		01-N	
160	28		89P81130								1		01-N	
													Installation-Instruments - Engine Compartment	
160	29		89P81130-1								1		01-N	
160	30		89P81130-2								1		01-N	
160	31		89P81130-3								1		01-N	
160	32		89P81130-4								1		01-N	
160	33		89P81130-5								1		01-N	
160	34		89P81130-6								1		01-N	
160	35		89P81130-7								1		01-N	
													Tube Assembly - (P-47C-5-RE and up)	
160	36		89P81130-8								1		01-N	
160	37		89P81130-12								1		01-N	
160	38		28390								1		03-I	
160	38		28390								1		03-I	
160	39		94-27950								1		05-D	
													Generator Tachometer - Type E-9A G.F.E.	
160	40		89P81116-3								1		01-N	
160	41		89P81116-2								1		01-N	
160	42		89P81115								1		01-N	

RESTRICTED
AN 01-65BC-4
SECTION II—GROUP ASSEMBLY PARTS LISTS

FIG. NO.	INDEX NO.	S T O C K E D	GROUP		INSTRUMENTS						UNITS PER ASSEY	PROPERTY CLASSIFICATION		
			MAJOR ASSEMBLY		INSTALLATION							U.S. NAVY	U.S. ARMY	BRITISH
			PART NUMBER	1	2	3	4	5	6	NOMENCLATURE				
160	43		S-9795-4								3		01-N	
160	44		S-9795-8								3		01-N	
160	45		S-175A-4-51								1		01-N	
160	46		AN3106-14S-1S								1		03-C	
160	47		884-8-12								8		04-B	
160	48		884-4-12								2		04-B	
160	49		365-832								5		04-A	
160	50		AN960-8								3		04-A	
160	50		365-1032								9		04-A	
160	51		AN515-8-8								3		29	
160	51		AN520-10-28C-5								4		29	

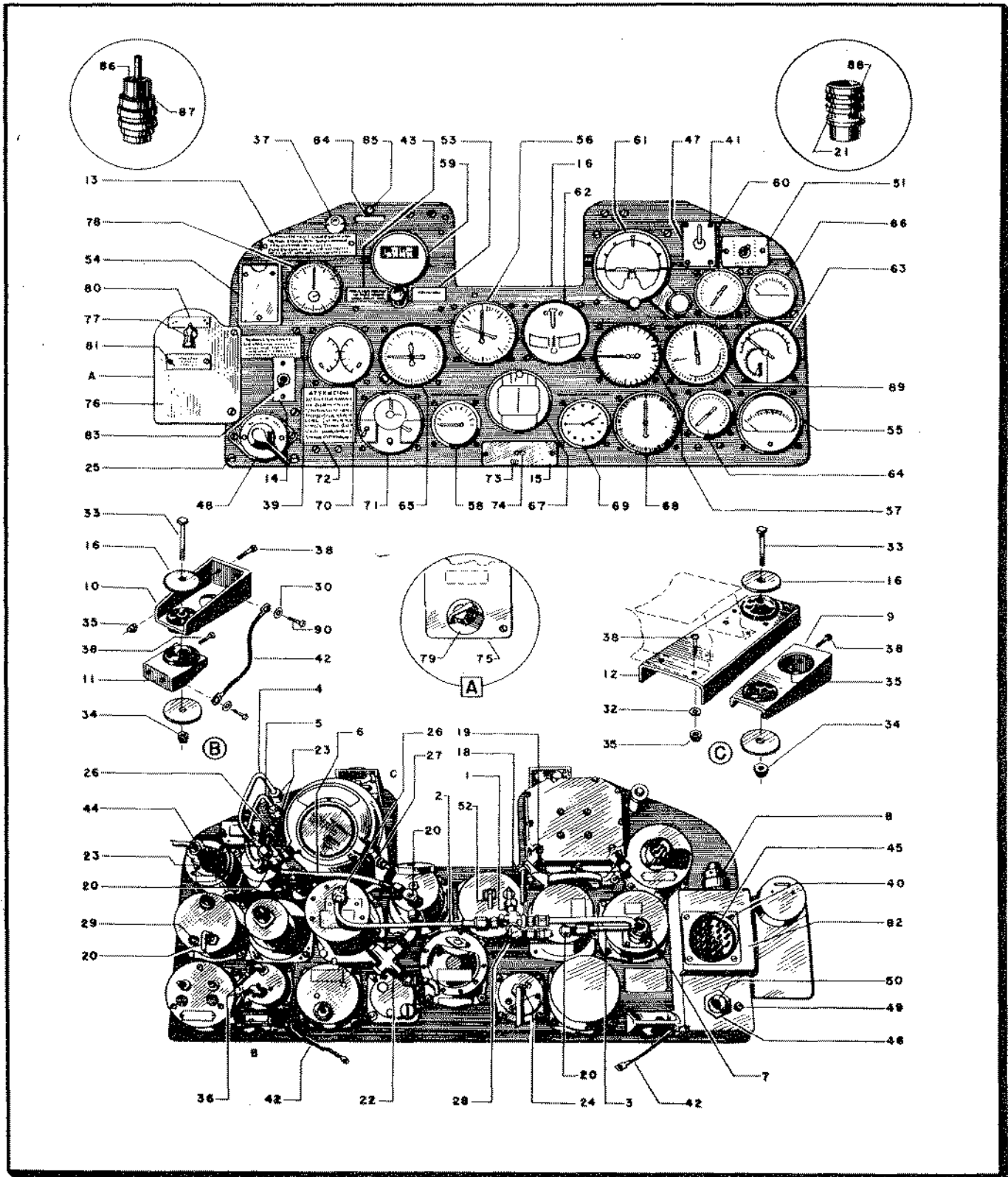


Figure 161—Instrument Panel

RESTRICTED
AN 01-65BC-4
SECTION II—GROUP ASSEMBLY PARTS LISTS

FIG. NO.	INDEX NO.	S T O C K E D	GROUP		INSTRUMENTS							UNITS PER ASSY	PROPERTY CLASSIFICATION					
			MAJOR ASSEMBLY		INSTALLATION - INSTRUMENT PANEL								U.S. NAVY	U.S. ARMY	BRITISH			
			PART NUMBER		1	2	3	4	5	6	NOMENCLATURE							
161	1																	
161	2																	
161	3																	
161	4																	
161	5																	
161	6																	
161	7																	
161	8																	
161	9																	
161	10																	
161	11																	
161	12																	
161	13																	
161	14																	
161	15																	
161	16																	
161	18																	04-A
161	19																	04-A
161	20																	04-A
161	21																	03-C
161	22																	03-I

Unless otherwise noted all parts are in class 01-N.

RESTRICTED
AN 01-65BC-4
SECTION II—GROUP ASSEMBLY PARTS LISTS

FIG. NO.	INDEX NO.	STOCKED	GROUP		INSTRUMENTS						UNITS PER ASSY	PROPERTY CLASSIFICATION			
			MAJOR ASSEMBLY		INSTALLATION - INSTRUMENT PANEL							U.S. NAVY	U.S. ARMY	BRITISH	
			PART NUMBER		1	2	3	4	5	6					NOMENCLATURE
161	23		811FT-4D									8		04-A	
161	24		3156-7T-4									1		04-A	
161	25		AN-526DD832-24									2		29	
161	26		811CT45-4D									3		04-A	
161	27		811CT45-6D									1		04-A	
161	28		AN918-1D									1		04-A	
161	29		AN912-10									1		04-A	
161	30		936-B8									4		29	
161	31		936-A6									6		29	
161	32		AN960-D8									14		04-A	
161	33		AN4DD-16A									4		04-A	
161	34		365-D428									4		04-A	
161	35		365-832									16		04-A	
161	36		39B3480-414									5		04-B	
161	37		T-3 $\frac{1}{4}$									1		08-B	
161	38		AN-526C832-10									20		29	
161	39		AN-526DD832-22									4		29	
161	40		AN515-B8-8									4		29	
161	41		AN515-B6-8									8		29	
161	42		4ATJ-6-6									2		08-B	
161	43		89F81124									1		01-N	
161	44		AN3106-145-15									1		03-C	
161	45		AN3102-36-1P									1		03-C	
161	46		AN3066-8									2		04-A	
161	47		276310									1		04-A	
161	48		Type A-9									1		03-C	
161	49		AN520-B10-8									1		29	
161	50		AN3064-8									2		04-A	
161	51		39A2513									1		03-C	
161	52		39B3481-414									2		04-B	
161	53		0153316-16									1		03-F	

RESTRICTED
AN 01-65BC-4
SECTION II—GROUP ASSEMBLY PARTS LISTS

FIG. NO.	INDEX NO.	SYMBOL CODE	GROUP		INSTRUMENTS							UNITS PER ASSY	PROPERTY CLASSIFICATION		
			MAJOR ASSEMBLY		INSTALLATION - INSTRUMENT PANEL								U.S. NAVY	U.S. ARMY	BRITISH
			PART NUMBER		1	2	3	4	5	6	NOMENCLATURE				
161	54		074837									1			03-F
161	55		94-27928									1			05-D
161	56		94-27953									1			05-C
161	57		94-27967									1			05-C
161	58		94-27922									1			05-D
161	59		94-27963									1			05-C
161	60		94-27923									1			05-C
161	60		94-27336									1			05-C
161	61		94-27962									1			05-C
161	62		94-27955									1			05-C
161	63		94-27943									1			05-D
161	64		94-27919									1			05-D
161	65		94-27957									1			05-D
161	65		94-27930									1			05-D
161	66		94-22945									1			05-D
161	67		94-27807									1			05-C
161	68		94-27938									1			05-D
161	69		94-27970									1			05-C
161	70		89F65195									1			01-N
161	71		H42G3746									1			08-B
161	72		89F81127									1			01-N
161	73		89F81122-2									1			01-N
161	74		89F81122-1									1			01-N
161	75		89F81129-1									1			01-N
161	76		89F81125									1			01-N
161	77		94-32259									1			03-C
161	78		Model 8DJ13ABZ									1			05-D
161	79		94-32356-A									1			03-C
161	80		89F82250									1			01-N
161	81		89F82195									1			01-N
161	82		89F81109-2									1			01-N
161	82		89F81109-1									1			01-N
161	83		AN3015									1			03-C
161	84		89F81112-10									1			01-N
161	85		36A3344									1			05-E
161	86		AN931-4-7									1			04-B
161	87		AN3054-4									2			04-A
161	88		S-161-4									3			01-N
161	89		94-27950									1			05-D
161	90		S-3-8-6									4			01-N

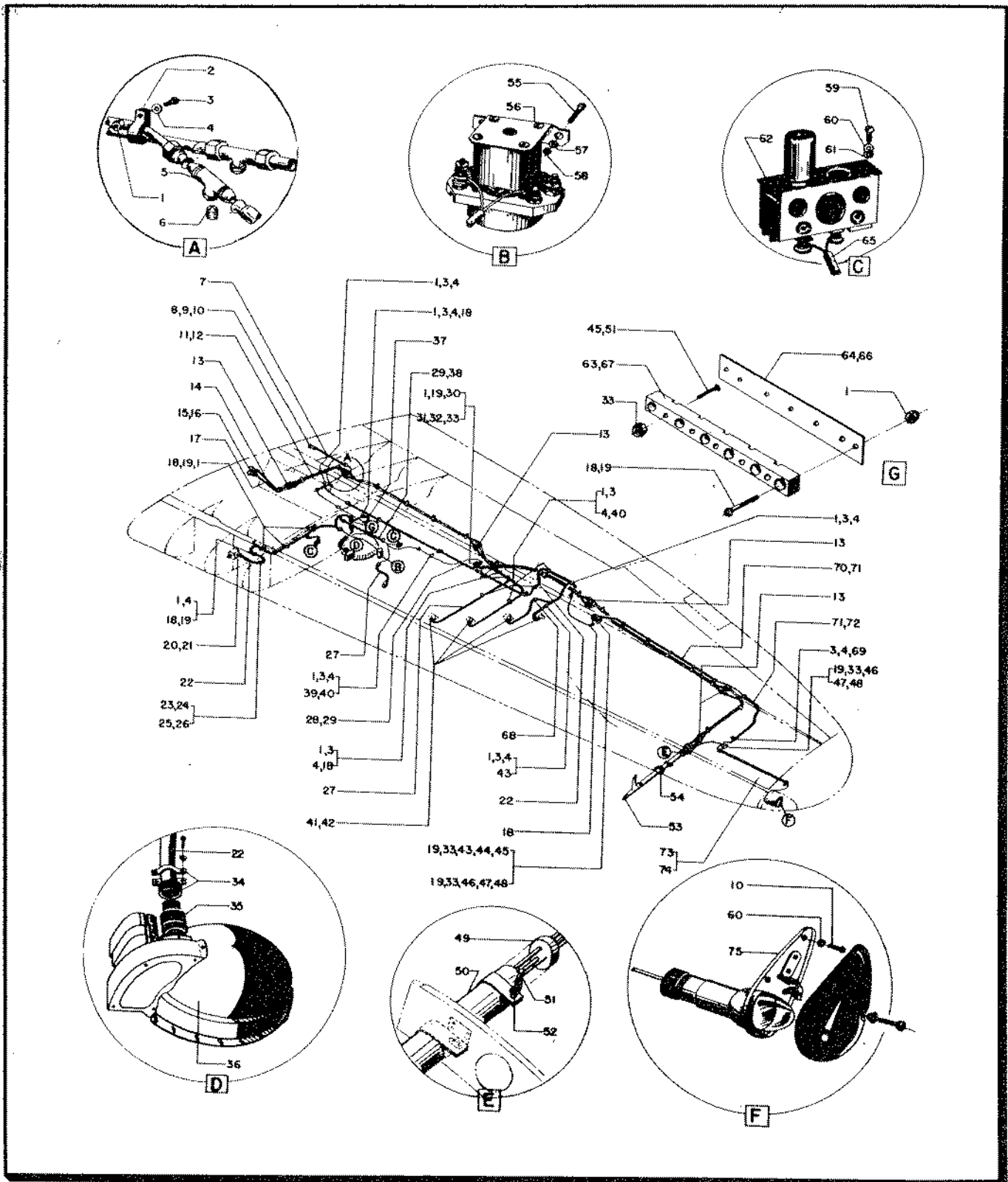


Figure 162—Electrical System—(Wing)

RESTRICTED
AN 01-65BC-4
SECTION II—GROUP ASSEMBLY PARTS LISTS

FIG. NO.	INDEX NO.	S T O C K E D	GROUP ELECTRICAL SYSTEM						UNITS PER ASSY	PROPERTY CLASSIFICATION											
			MAJOR ASSEMBLY		INSTALLATION WING ELECTRICAL SYSTEM					U.S. NAVY	U.S. ARMY	BRITISH									
			PART NUMBER	1	2	3	4	5					6	NOMENCLATURE							
			89082103														Installation Electrical System Wing	1		01-N	
162	1		365-832														Nut	47		04-A	
162	2		S9224-3														Clamp	16		01-N	
162	3		AN515-8-8														Screw	40		29	
162	4		AN960-D8														Washer	40		04-A	
162	5		811-0T-4D														Fitting	2		04-A	
162	6		895-870														Fitting	2		04-A	
162	7		Insulated Tubing														.526" I.D. (Surco Soflex Form "B" Superanant Electrical Mfg. Co., Boston, Mass.)	1			
162	8		AN3100-28-9P														Receptacle	1		08-B	
162	9		S-161-16														Clamp	1		01-N	
162	10		AN515-6-8														Screw	4		29	
162	11		89082103-21														Tube (P-47C-1RE and Up)	1		01-N	
162	12		89082103-22														Tube (P-47C-1RE and Up)	1		01-N	
162	13		811-HT-4D														Fitting	10		04-A	
162	14		89082103-19														Tube (P-47C-1RE and Up)	1		01-N	
162	15		3115-1HT-4D														Fitting (Parker Appliance Co.)	2		04-A	
162	16		11-1039-1-3D														Lock Nut (Parker Appliance Co.)	2		04-A	
162	17		89082103-20														Tube (P-47C-1RE and Up)	1		01-N	
162	18		S-9795-6														Clamp	15		01-N	
162	19		AN515-8-10														Screw	12		29	
162	20		E-1002-3-160														Plug (Breeze Corp., Newark, N.J.)	1		03-C	
162	21		S-161-6														Clamp	4		01-N	
162	22		Insulated Tubing														.347" I.D. (Surco Soflex Form "B" Superanant Electrical Mfg. Co. Boston, Mass.)	1		08-B	
162	23		2980-6														Clip (Tinnerman Products, Cleveland, Ohio)	1		03-C	
162	24		6083-8Z														Angle (Tinnerman Products, Cleveland, Ohio)	1		04-A	
162	25		AN530-8-6														Screw	1		29	
162	26		AN530-8-10														Screw	1		29	
162	27		Insulated Tubing														.1B3" I.D. (Surco Soflex Form "B" Superanant Electrical Mfg. Co., Boston, Mass.)	1		08-B	
162	28		S-183-4-70														Loom	1		01-N	

RESTRICTED
AN 01-65BC-4
SECTION II—GROUP ASSEMBLY PARTS LISTS

FIG. NO.	INDEX NO.	STOCKED	GROUP ELECTRICAL SYSTEM						UNITS PER ASSY	PROPERTY CLASSIFICATION			
			MAJOR ASSEMBLY		INSTALLATION WING ELECTRICAL SYSTEM					U.S. NAVY	U.S. ARMY	BRITISH	
			PART NUMBER	1	2	3	4	5					6
162	29		S-182-4							4		01-N	
162	30		S-46-1							1		01-N	
162	31		S-45-1							1		01-N	
162	32		S-42-10-12							13		01-N	
162	33		365-B1032							13		04-A	
162	34		S-161-10							1		01-N	
162	35		AN3106-18-58							1		03-C	
162	36		94-32221							1L		03-C	
162	37		Insulated Tubing										
162	38		S-183-4-12							1		08-B	
162	39		89022654-4							1		01-N	
162	40		S-9795-4							5		01-N	
162	41		AN3106-108-28							4		03-C	
162	42		S-161-3							7		01-N	
162	43		S-46-4							1		01-N	
162	44		S-45-4							1		01-N	
162	45		S-42-10-12							13		01-N	
162	46		S-46-3							2		01-N	
162	47		S-45-3							2		01-N	
162	48		S-42-10-12							13		01-N	
162	49		89082115							1		01-N	
162	50		89082116							1		01-N	
162	51		AN4-5A							1		04-A	
162	52		AN960-D416							1		04-A	
162	53		94-27876							1		03-C	
162	54		89996448							1		01-N	
162	55		AN520-10-10							2		29	
162	56		32351							1L		03-C	
162	57		AN960-D10							2		04-A	
162	58		AN365-1032							2		04-A	
162	59		AN520-6-5							8		29	

RESTRICTED
AN 01-65BC-4
SECTION II—GROUP ASSEMBLY PARTS LISTS

FIG. NO.	INDEX NO.	SYMBOL	GROUP ELECTRICAL SYSTEM						UNITS PER ASSY	PROPERTY CLASSIFICATION			
			MAJOR ASSEMBLY		INSTALLATION WING ELECTRICAL SYSTEM					U.S. NAVY	U.S. ARMY	BRITISH	
			PART NUMBER	1	2	3	4	5					6
162	60		AN960-D6							8		01-A	
162	61		AN935-6							8		29	
162	62		40A5554							1		03-C	
162	63		S-45-5							1		01-N	
162	64		S-46-5							1		01-N	
162	65		Insulated Tubing							1		08-B	
162	66		S-46-6							1		01-N	
162	67		S-45-6							1		01-N	
162	68		2827-M-1							1		03-C	
162	69		S-9795-8							1		01-N	
162	70		S-183-3-55							1		01-N	
162	71		S-182-3							4		01-N	
162	72		S-183-3-26							1		01-N	
162	73		S-183-2-34							1		01-N	
162	74		S-182-2							2		01-N	
162	75		32262							11-1R		03-C	

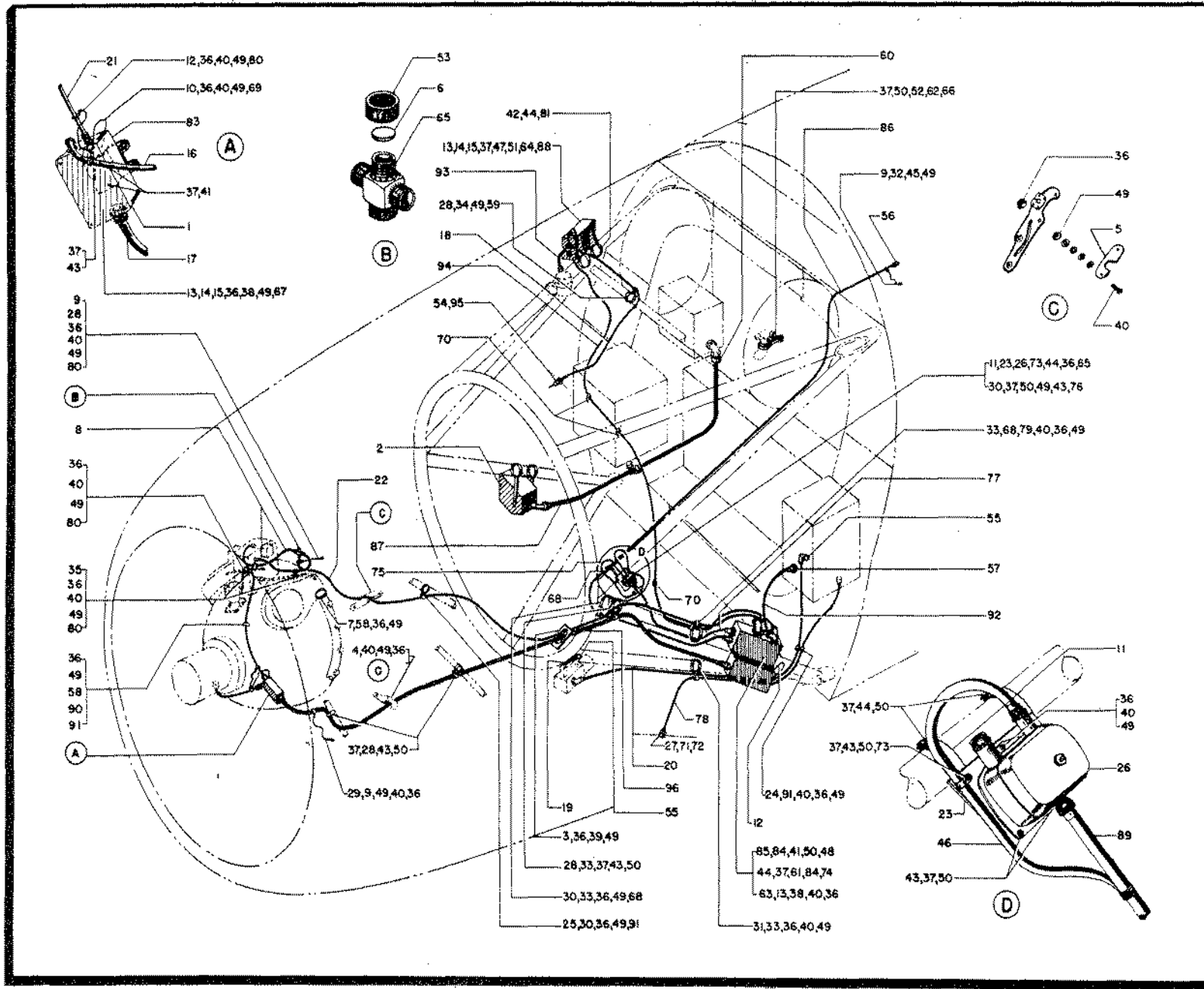


Figure 163—Electrical System—(Engine Compartment)

RESTRICTED
AN 01-65BC-4
SECTION II—GROUP ASSEMBLY PARTS LISTS

FIG. NO.	INDEX NO.	STOCKED	ELECTRICAL SYSTEM						UNITS PER ASSY	PROPERTY CLASSIFICATION				
			GROUP		INSTALLATION ELECTRICAL SYSTEM					U.S. NAVY	U.S. ARMY	BRITISH		
			MAJOR ASSEMBLY	PART NUMBER	1	2	3	4					5	6
			89P82105								1		01-N	
163	1		89P82123								1		01-N	
163	2		89P82171								1		01-N	
163	3		89P82186								1		01-N	
163	4		89P82199								1		01-N	
163	5		89P82200								1		01-N	
163	6		89P82205								1		01-N	
163	7		89P82221								4		01-N	
163	8		89P82224								2		01-N	
163	9		5ATJ6-6								3		08-B	
163	10		6ATJ6-6								1		08-B	
163	11		89P82262								2		01-N	
163	12		4ATJ6-6								2		08-B	
163	13		S-42-10-12								13		01-N	
163	14		S-45-3								3		01-N	
163	15		S-46-3								3		01-N	
163	16		S-174A-10-17								1		01-N	
163	17		S-174A-12-68								1		01-N	
163	18		S-177A-4-23								1		01-N	
163	19		S-177A-6-4½								1		01-N	
163	20		S-177A-6-40								1		01-N	
163	21		S-179A-6-32								1		01-N	
163	22		S-177A-6-74								1		01-N	
163	23		89P82261								1		01-N	
163	24		2980-11								2		04-A	
163	25		S-9795-17								1		01-N	
163	26		VJR24B3								1		03-C	
163	27		S-245-8								1		01-N	
163	28		S-9795-16								7		01-N	
163	29		S-9795-14								1		01-N	
163	30		AN515-8-14								4		29	
163	31		2980-9								5		04-A	

RESTRICTED
AN 01-65BC-4
SECTION II—GROUP ASSEMBLY PARTS LISTS

FIG. NO.	INDEX NO.	STOCK #	ELECTRICAL SYSTEM						UNITS PER ASSY	PROPERTY CLASSIFICATION				
			GROUP		INSTALLATION ELECTRICAL SYSTEM					U.S. NAVY	U.S. ARMY	BRITISH		
			MAJOR ASSEMBLY	PART NUMBER	1	2	3	4					5	6
163	32		2982-10							Clamp (Tinnerman Products Corp.)	2		04-A	
163	33		2980-30							Clamp (Tinnerman Products Corp.)	4		04-A	
163	34		2981-7							Clamp (Tinnerman Products Corp.)	1		04-A	
163	35		735-5							Clamp	2		04-A	
163	36		365-832							Nut	39		04-A	
163	37		365-1032							Nut	19		04-A	
163	38		365-B1032							Nut	10		04-A	
163	39		AN515-8-8							Screw	4		29	
163	40		AN515-8-10							Screw	19		29	
163	41		AN520-10-8							Screw	9		29	
163	42		AN520-10-10							Screw	3		29	
163	43		AN520-10-14							Screw	7		29	
163	44		AN520-10-16							Screw	7		29	
163	45		530-8-6							Screw	1		29	
163	46		S-180A-31							Conduit Assembly	1		01-N	
163	47		936-B10							Lock Washer	2		29	
163	48		936-A10							Lock Washer	2		29	
163	49		AN960-D8							Washer	60		04-A	
163	50		AN960-D10							Washer	21		04-A	
163	51		345-10							Nut	2		29	
163	52		AN520-10-12							Screw	2		29	
163	53		AN3054-4							Coupling Nut	1		04-A	
163	54		AN3106-12S-3S							Plug	1		03-C	
163	55		AN3108-16S-4S							Plug	1		03-C	
163	56		AN3106-18-2S							Plug	1		03-C	
163	57		AN3106-22-5P							Plug	1		03-C	
163	58		AN515-8-12							Screw	9		29	
163	59		530-8-8							Screw	2		29	
163	60		AN3108-32-1P							Plug	1		03-C	
163	61		104309							Propeller Relay Box (G.F.E.)	1		03-C	
163	62		89P82223							Socket	1		01-N	
163	63		S-46-2							Insulator	2		01-N	

RESTRICTED
AN 01-6580-4
SECTION II—GROUP ASSEMBLY PARTS LISTS

FIG. NO.	INDEX NO.	S T O C K E D	ELECTRICAL SYSTEM								UNITS PER ASSY	PROPERTY CLASSIFICATION		
			GROUP		INSTALLATION ELECTRICAL SYSTEM							U.S. NAVY	U.S. ARMY	BRITISH
			MAJOR ASSEMBLY	PART NUMBER	1	2	3	4	5	6				
163	64	S-187							Filler		1		01-N	
163	65	S-186							Fitting		2		01-N	
163	66	89P82104							Clamp		1		01-N	
163	67	AN515-8-11							Screw		4		29	
163	68	S-9795-11							Clamp		3		01-N	
163	69	S-9795-12							Clamp (Tinnerman Products Corp.)		1		01-N	
163	70	27959							Clamp		3		01-N	
163	71	AN3066-8							Nut		1		04-A	
163	72	AN3064-8							Connector		1		04-A	
163	73	S-9795-6							Clamp		2		01-N	
163	74	S-45-2							Block		2		01-N	
163	75	S-180A-14							Conduit Assembly		2		01-N	
163	76	AN3068-4							Adapter		1		04-A	
163	77	S-177A-6-16							Conduit Assembly		1		01-N	
163	78	S-174A-8-30							Conduit Assembly		1		01-N	
163	79	S-9795-9							Clamp		1		01-N	
163	80	735-8							Clamp		6		04-A	
163	81	89P82108							Clamp Assembly		2		01-N	
163	82	89P82109-7							Box Assembly Engine Mount (P-47B, P-47C-RE only)		1		01-N	
163	83	89P82118							Bracket		1		01-N	
163	84	89P82120							Box Assembly		1		01-N	
163	85	89P82122							Support Assembly		1		01-N	
163	86	S-177A-8-75							Conduit Assembly		1		01-N	
163	87	S-177A-16-40							Conduit Assembly		1		01-N	
163	88	89P82109-4							Box Assembly (P-47C-1RE and Up)		1		01-N	
163	89	S-177A-4-19							Conduit Assembly		1		01-N	
163	90	735-24							Clamp		4		04-A	
163	91	2980-9							Clamp (Tinnerman Products Corp.)		1		04-A	
163	92	S-178A-8-8							Conduit Assembly		1		01-N	
163	93	S-177A-4-8							Conduit Assembly		1		01-N	
163	94	S-174A-8-62							Conduit Assembly		1		01-N	
163	95	27945							Carburetor Temperature Bulb		1		01-N	
163	96	15-1-D							Wax Cord	As Req			21	

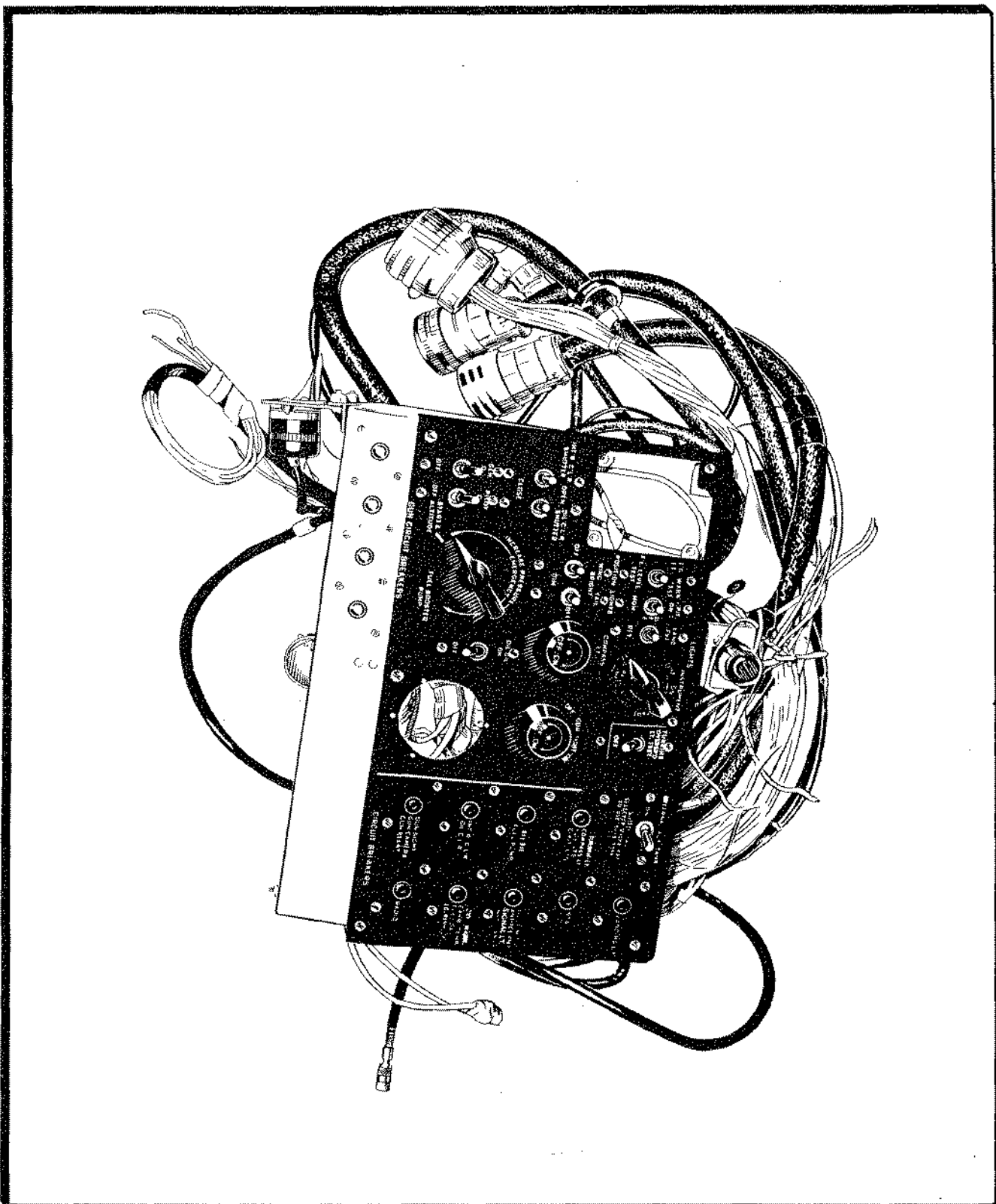


Figure 163A—Main Switch and Fuse Box Complete

RESTRICTED
AN 01-65BC-4
SECTION II—GROUP ASSEMBLY PARTS LISTS

FIG. NO.	INDEX NO.	STOCKED	GROUP						UNITS PER ASSY	PROPERTY CLASSIFICATION		
			ELECTRICAL SYSTEM							U.S. NAVY	U.S. ARMY	BRITISH
			MAJOR ASSEMBLY	MAIN SWITCH AND FUSE BOX COMPLETE								
PART NUMBER	1	2	3	4	5	6	NOMENCLATURE					
163A			93F82500-1						Main Switch and Fuse Box Complete (P-47D-1-RE, P-47D-2-RE, P-47D-5-RE)		01-N	
163A			93F82500-2						Main Switch and Fuse Box Complete (P-47D-10-RE)		01-N	
163A			93F82500-3						Main Switch and Fuse Box Complete (P-47C-1-RE, P-47C-2-RE)		01-N	
163A			93F82500-4						Main Switch and Fuse Box Complete (P-47C-5-RE)		01-N	
166									Installation - Main Switch and Fuse			
<p>NOTE: THIS ASSEMBLY CONTAINS ALL CONDUITS AND WIRE LEADING FROM THIS BOX. FOR SPARES PROCUREMENT ONLY.</p>												

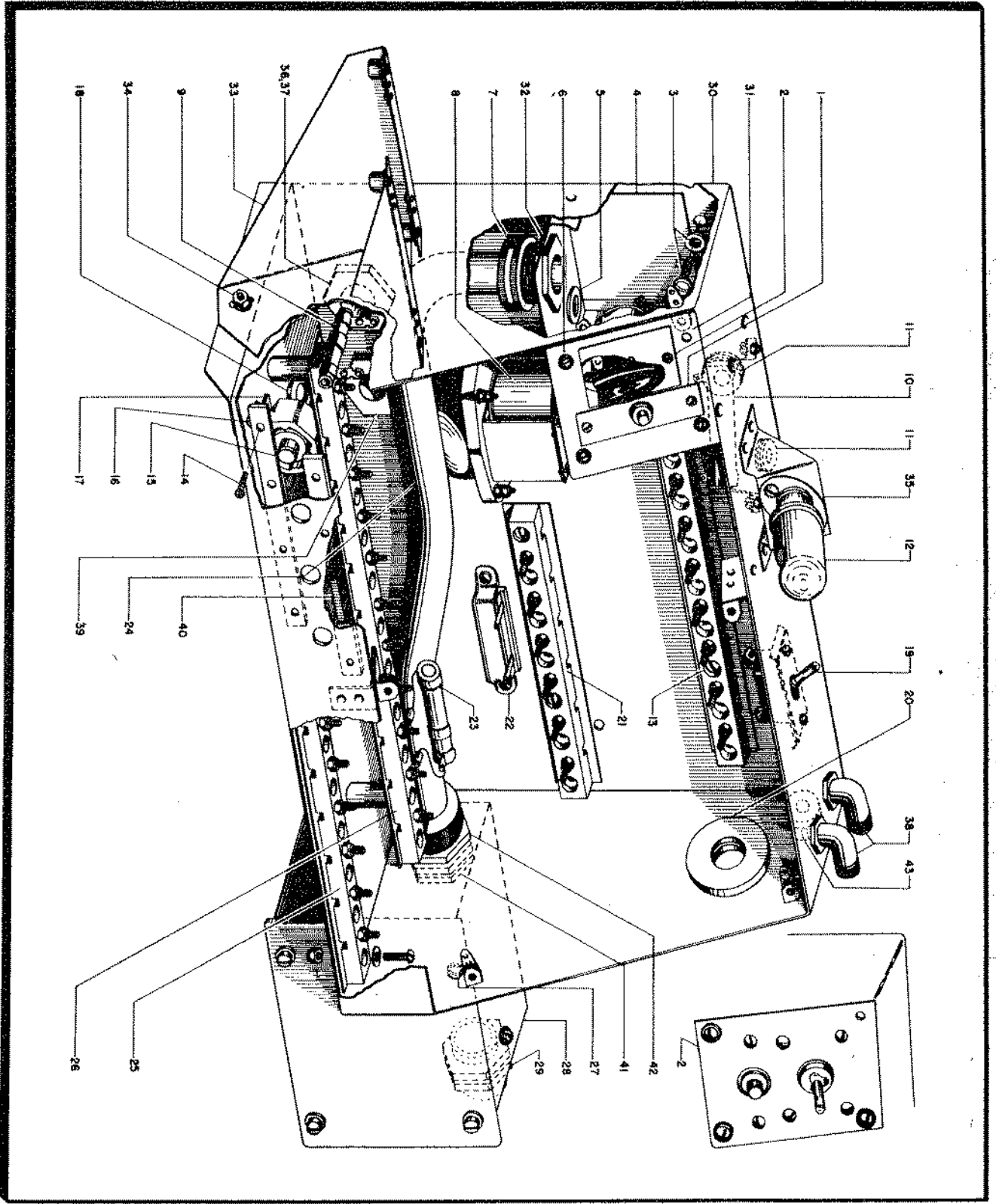


Figure 164—Main Switch and Fuse Box

Section II
Group Assembly Parts List

RESTRICTED
AN 01-65BC-14

RESTRICTED
AN 01-65BC-4
SECTION II—GROUP ASSEMBLY PARTS LISTS

FIG. NO.	INDEX NO.	SYMBOL	ELECTRICAL SYSTEM						UNITS PER ASSY	PROPERTY CLASSIFICATION			
			MAJOR ASSEMBLY INSTALLATION—MAIN SWITCH & FUSE BOX							U.S. NAVY	U.S. ARMY	BRITISH	
			PART NUMBER	1	2	3	4	5					6
			89F82107-50							1		01-N	
			89F82107-51							1		01-N	
			89F82107-52							1		01-N	
			89F82107-53							1		01-N	
			93F82110-3							1		01-N	
			93F82110-4							1		01-N	
			93F82110-5							1		01-N	
164	1		109116-25							1		03-C	
164	1		109117							1		03-C	
164	1		111024-25							1		03-C	
164	2		102911							1		03-C	
164	2		108770							1		03-C	
164	2		111024-25							1		29	
164	3		AN525-10-9							6		04-A	
164	3		AN960-D10							6		01-N	
164	4		89F82107-2							1		04-B	
164	5		AN931-5-9							2		04-A	
164	6		AN960-D6							3		01-N	
164	6		S8945							3		04-A	
164	7		AN3053-12							2		04-A	
164	7		AN3054-12							2		01-N	
164	8		89F82204							1		03-C	
164	8		X86382							1		03-C	
164	8		6041-H67							1		03-C	
164	9		A10F							1		03-C	
164	9		S-9795-8							1		08-B	
164	9		S-187							1		01-N	
164	9		AN515-8-28							1		01-N	
164	10		Type "Acker"							1		29	
										1		08-B	
164	11		AN931-7-11							2		04-B	
164	11		38A1762							1		03-C	
164	12		AN515-6-6							2		29	
164	12		AN960-D6							2		04-A	
164	12		365-632							2		04-A	

RESTRICTED
AN 01-65BC-4
SECTION II—GROUP ASSEMBLY PARTS LISTS

FIG. NO.	INDEX NO.	SYMBOL	ELECTRICAL SYSTEM						UNITS PER ASSY	PROPERTY CLASSIFICATION			
			GROUP	MAJOR ASSEMBLY INSTALLATION - MAIN SWITCH AND FUSE BOX						U.S. NAVY	U.S. ARMY	BRITISH	
			PART NUMBER	1	2	3	4	5					6
164	13		S-45-10							1		01-N	
164	13		S-46-10							1		01-N	
164	13		S-42-10-12							10		01-N	
164	13		365-B1032							10		04-A	
164	13		AN515-8-10							2		29	
164	13		AN960-D8							2		04-A	
164	14		AN515-6-10							8		29	
164	14		365-632							8		04-A	
164	15		NAF1131-35							4		03-C	
164	16		89F82215							2		01-N	
164	17		89F82142							3		01-N	
164	17		AN520-B416-8							3		29	
164	17		365-B428							3		04-A	
164	18		AN930-10-14							1		04-B	
164	19		AN3016							1		03-C	
164	19		AN515-6-6							2		29	
164	19		365-632							2		04-A	
164	20		AN931-12-23							1		04-B	
164	21		S-45-6							1		01-N	
164	21		S-46-6							1		01-N	
164	22		Type MW-2							1		03-C	
164	22		AN515-6-8							2		29	
164	23		Brown Devil							1		03-C	
164	24		89F82107-1							1		01-N	
164	25		S-45-7							1		01-N	
164	25		S-46-7							1		01-N	
164	26		S-45-11							1		01-N	
164	26		S-47-7/8							3		01-N	
164	26		S-45-12							1		01-N	
164	26		S-46-12							1		01-N	
164	26		S-47-7/8							3		01-N	
164	26		S-45-10							1		01-N	
164	26		S-46-10							1		01-N	
164	26		S-47-7/8							3		01-N	
164	27		AN520-10-10							2			
164	27		AN960-D10							2			
164	28		89F82141							1		04-A	
164	29		AN3058-10							1		04-A	
164	29		AN3066-10							1		01-N	
164	30		89F82132-50							1			
164	30		89F82132-51							1		01-N	
164	30		89F82132-52							1		01-N	
164	30		89F82132-53							1		01-N	
164	30		93F82115-30							1		01-N	
164	30		93F82115-15							1		01-N	
164	30		93F82115-17							1		01-N	
164	31		89F82139							1		01-N	

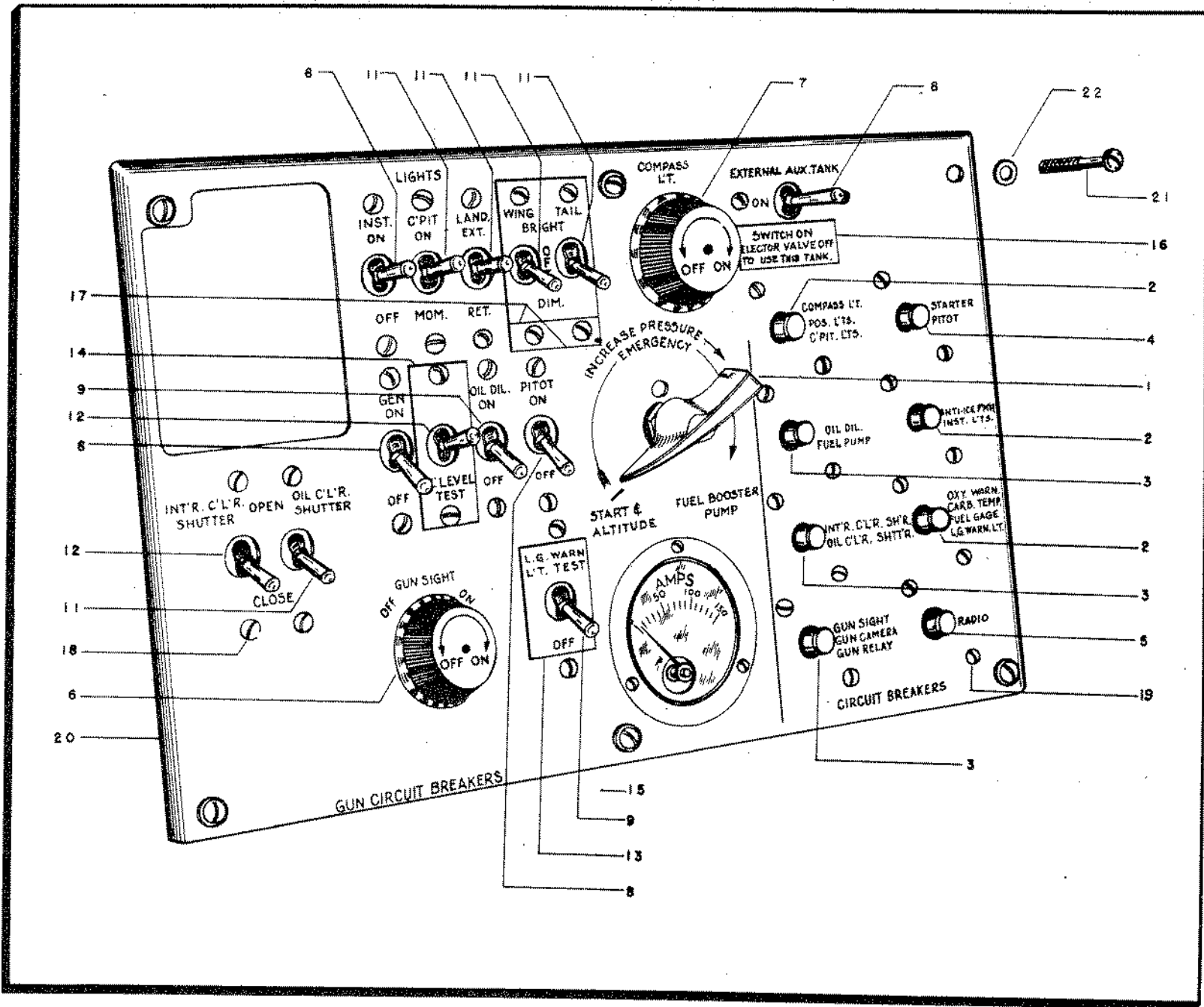


Figure 165—Main Switch and Fuse Box

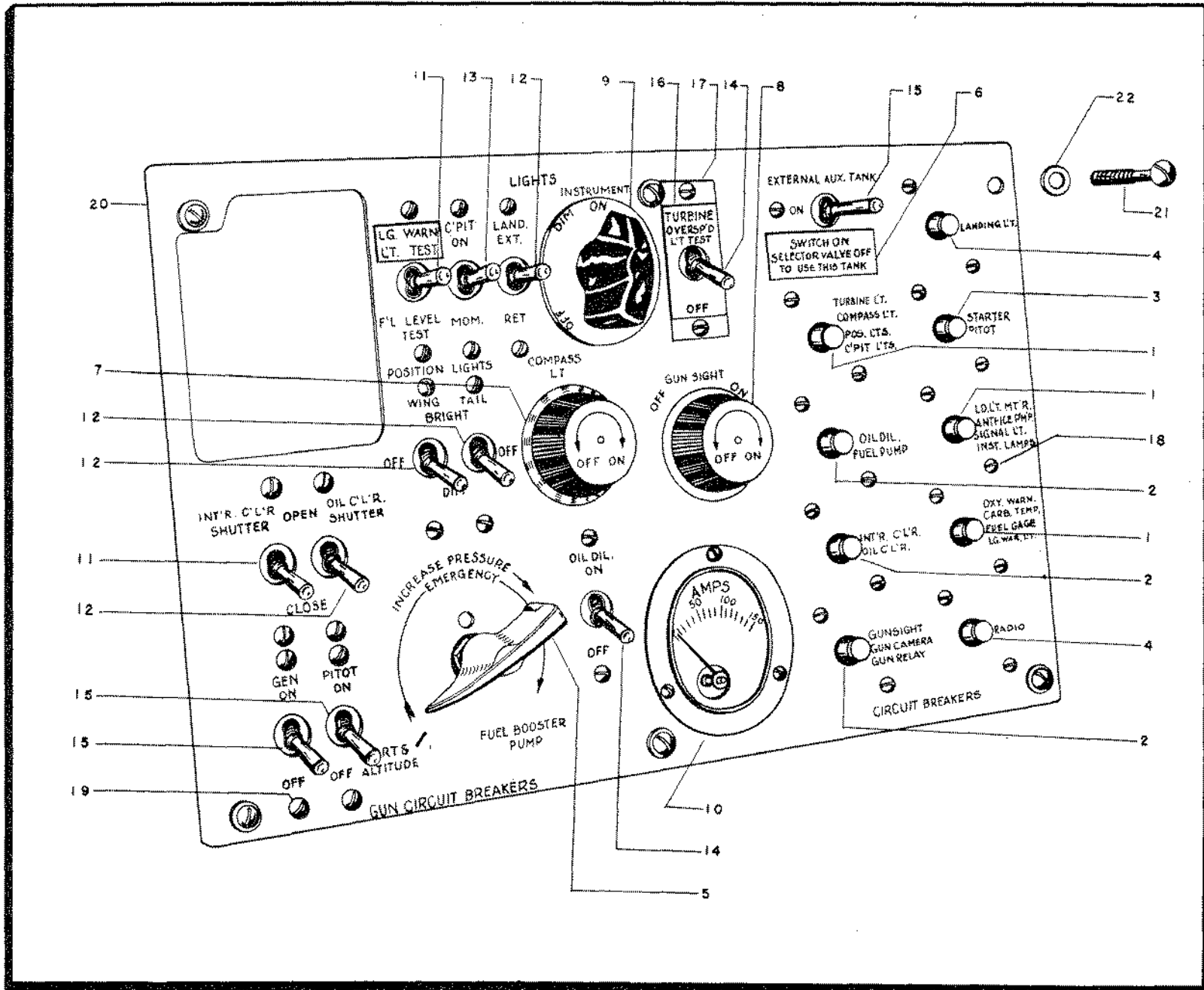


Figure 166—Main Switch and Fuse Box Panel

RESTRICTED
AN 01-65B0-4

SECTION II—GROUP ASSEMBLY PARTS LISTS

FIG. NO.	INDEX NO.	STOCKED	GROUP						UNITS PER ASSY	PROPERTY CLASSIFICATION		
			ELECTRICAL SYSTEM							U.S. NAVY	U.S. ARMY	BRITISH
			MAJOR ASSEMBLY		MAIN SWITCH AND FUSE BOX							
PART NUMBER	1	2	3	4	5	6	NOMENCLATURE					
								Installation Main Switch and Fuse Box (P-47D-RE)	1		01-N	
								Installation Main Switch and Fuse Box (P-47D-1-RE, P-47D-2-RE)	1		01-N	
								Installation Main Switch and Fuse Box (P-47D-5-RE and Up)	1		01-N	
166	1							Circuit Breaker (P-47D) (Spencer Thermostat Co.)	3		03-C	
166	2							Circuit Breaker (P-47D) (Spencer Thermostat Co.)	3		03-C	
166	3							Circuit Breaker (P-47D) (Spencer Thermostat Co.)	1		03-C	
166	4							Circuit Breaker (P-47D) (Spencer Thermostat Co.)	2		03-C	
166	5							Rheostat (P-47D) (Curtis Pump Co.)	1		03-I	
166	6							Decalcomania (P-47D-1-RE and Up)	1		01-N	
166	7							Rheostat Type C-1 (P-47D)	1			
166	8							Rheostat Type O-1B (P-47D)	1		03-C	
166	9							Rheostat (P-47D)	1		03-C	
166	10							Ammeter Type F-1 (P-47D) G.F.E.	1		05-C	
166	11							Switch Type B-11 (P-47D)	2		03-C	
166	12							Switch Type B-9A (P-47D)	4		03-C	
166	13							Switch Type B-7A (P-47D)	1		03-C	
166	14							Switch Type B-6B (P-47D)	3		03-C	
166	15							Switch Type B-5A (P-47D)	3		03-C	
166	16							Decalcomania (P-47D-1-RE and Up)	1		01-N	
166	17							Plate (P-47D-1-RE, P-47D-2-RE)	1		01-N	
166	17							Plate (P-47D-2-RE and Up)	1		01-N	
166	18							Screw	20		29	
166	19							Screw	32		29	
								Box and Panel Assembly	1		01-N	
166	20							Panel (P-47D-RE)	1		01-N	
166	20							Panel (P-47D-1-RE and P-47D-2-RE)	1		01-N	
166	20							Panel (P-47D-5-RE and Up)	1		01-N	
166	21							Screw - Captive	6		29	
166	22							Washer	6		04-A	

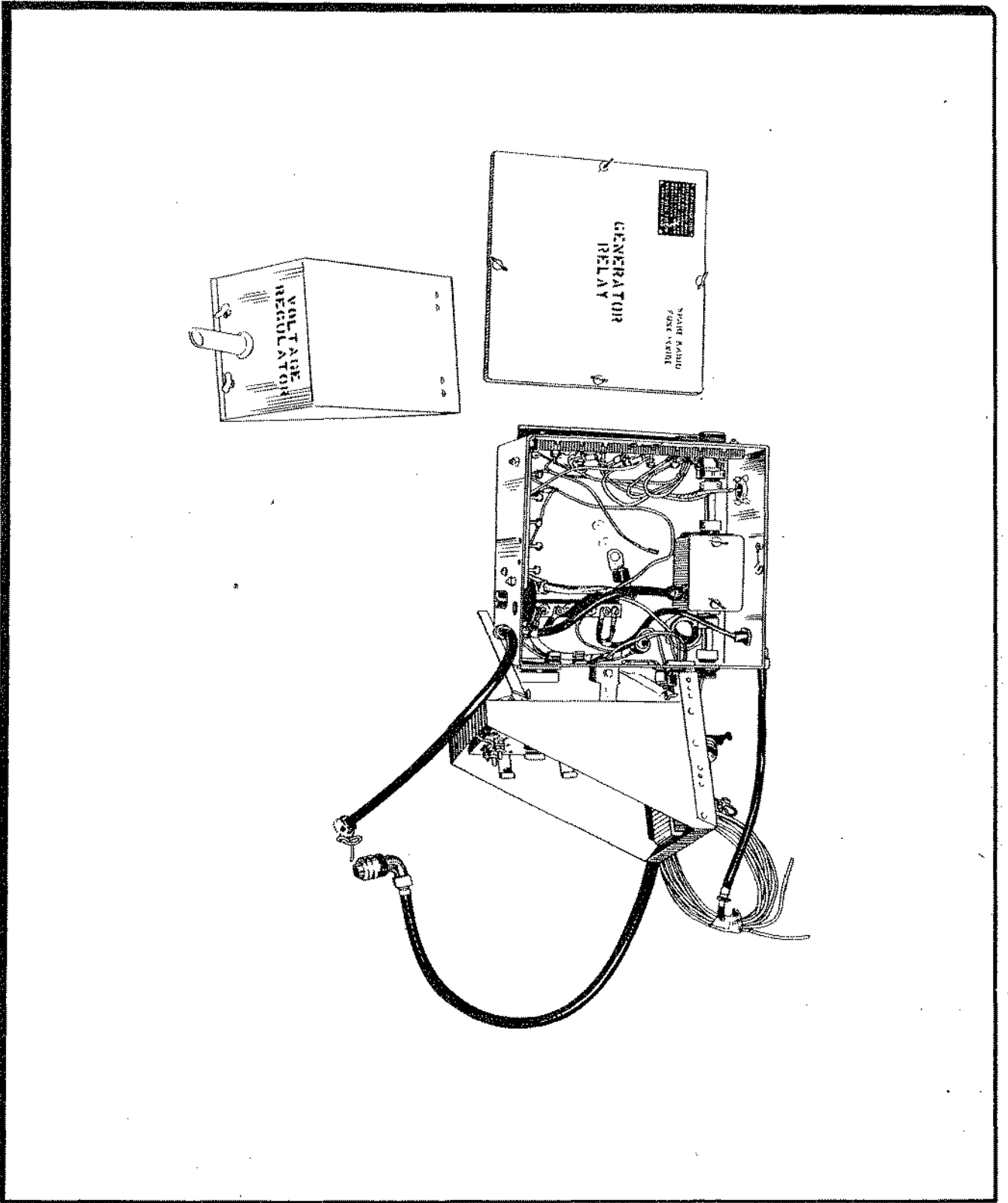


Figure 166A—Firewall Junction Box and Voltage Regulator

RESTRICTED
AN 01-65BC-4
SECTION II—GROUP ASSEMBLY PARTS LISTS

FIG. NO.	INDEX NO.	S T O C K E D	GROUP						UNITS PER ASSY	PROPERTY CLASSIFICATION		
			ELECTRICAL SYSTEM							U.S. NAVY	U.S. ARMY	BRITISH
			MAJOR ASSEMBLY FIREWALL JUNCTION BOX & VOLTAGE REGULATOR									
PART NUMBER	1	2	3	4	5	6	NOMENCLATURE					
166A								93F82502-1	Installation-Firewall Junction and Voltage Regulator Boxes Complete (P-47D-1-RE and P-47D-2-RE)			01-N
166A								93F82502-2	Installation-Firewall Junction and Voltage Regulator Boxes Complete (P-47D-5-RE, P-47D-6-RE, P-47D-10-RE)			01-N
166A								93F82502-3	Installation-Firewall Junction and Voltage Regulator Boxes Complete (P-47C-1-RE and P-47C-2-RE)			01-N
166A								93F82502-4	Installation-Firewall Junction and Voltage Regulator Boxes Complete (P-47C-5-RE)			01-N
168	155								Installation-Firewall Junction Box			
<p>NOTE: THIS ASSEMBLY CONTAINS ALL CONDUITS AND WIRES LEADING TO FIREWALL JUNCTION BOX. FOR SPARES PROCUREMENT ONLY.</p>												

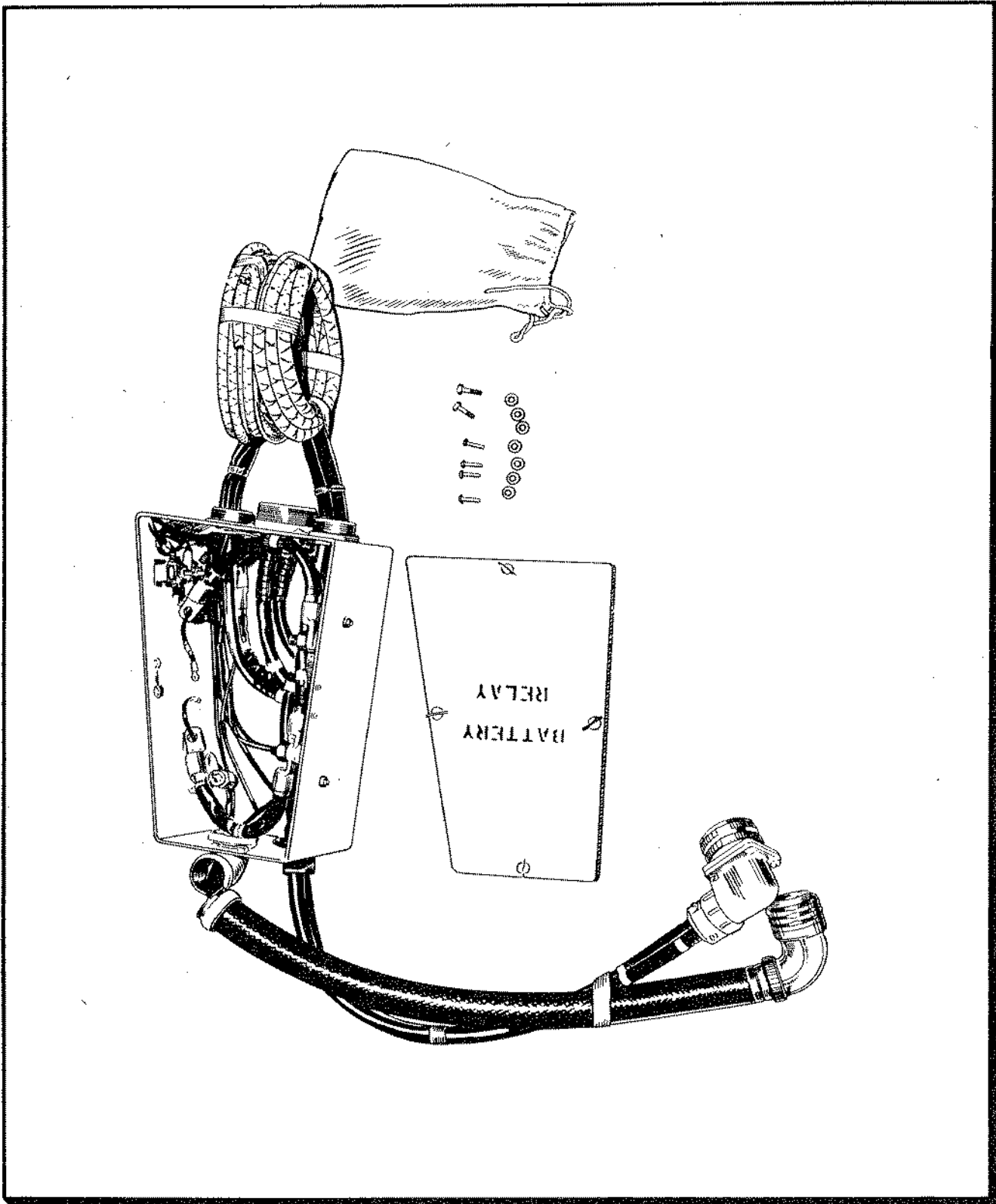


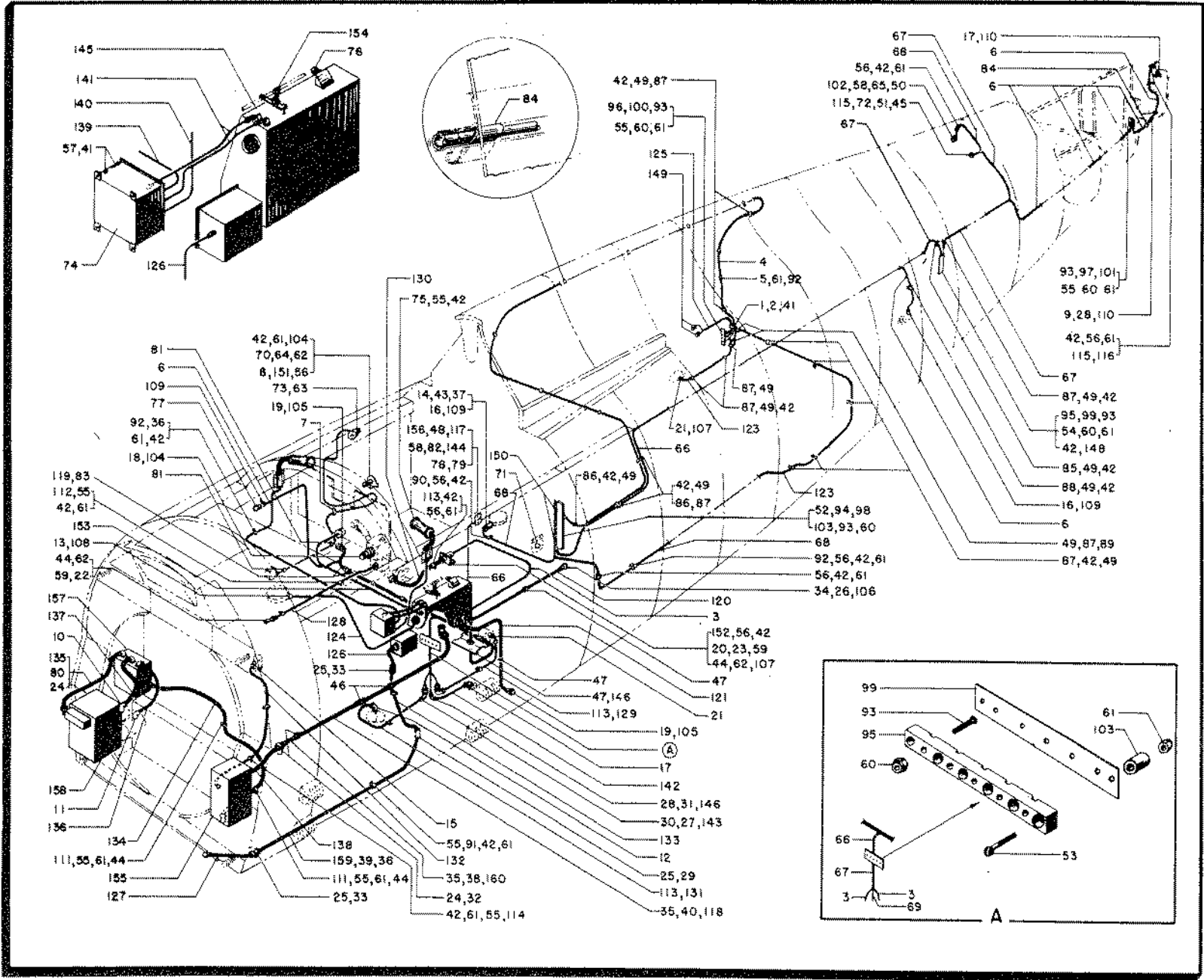
Figure 167A—Battery Junction Box Complete

RESTRICTED
AN 01-65BC-4
SECTION II—GROUP ASSEMBLY PARTS LISTS

FIG. NO.	INDEX NO.	S T O C K E D	GROUP						ELECTRICAL SYSTEM	UNITS PER ASSY	PROPERTY CLASSIFICATION								
			MAJOR ASSEMBLY		BATTERY JUNCTION BOX COMPLETE						U.S. NAVY	U.S. ARMY	BRITISH						
			PART NUMBER	1	2	3	4	5						6	NOMENCLATURE				
167A			93F82501-4													Battery Junction Box - Complete - (P-47D-6-RE and up)			01-N
167A			93F82501-3													Battery Junction Box - Complete - (P-47D-5-RE)			01-N
167A			93F82501-2													Battery Junction Box - Complete - (P-47D-1-RE to P-47D-5-RE)			01-N
167A			93F82501-1													Battery Junction Box - Complete - (P-47C-1-RE and up to P-47D-RE)			01-N
168	157															Installation - Battery Junction Box			01-N
<p>NOTE: THIS ASSEMBLY IS COMPLETE AND CONTAINS ALL WIRES AND CONDUITS LEADING FROM THIS BOX FOR SPARES PROCUREMENT ONLY.</p>																			

RESTRICTED

395B



RESTRICTED

Figure 168—Electrical System—(Fuselage)

RESTRICTED
AN 01-65BC-4
SECTION II—GROUP ASSEMBLY PARTS LISTS

FIG. NO.	INDEX NO.	S T O C K E D	ELECTRICAL SYSTEM						UNITS PER ASSY	PROPERTY CLASSIFICATION				
			GROUP		INSTALLATION ELECTRICAL SYSTEM FUSELAGE					U.S. NAVY	U.S. ARMY	BRITISH		
			MAJOR ASSEMBLY	PART NUMBER	1	2	3	4					5	6
168	31		AN3062-3								1		04-A	
168	32		AN3058-16								2		04-A	
168	33		AN3058-12								2		04-A	
168	34		AN3058-10								1		04-A	
168	35		AN3054-16								3		04-A	
168	36		AN3054-12								2		04-A	
168	37		AN3054-4								1		04-A	
168	38		AN3053-16								2		04-A	
168	39		AN3053-12								2		04-A	
168	40		AN3050-16								1		04-A	
168	41		AN960-D10								4		04-A	
168	42		AN960-D8								39		04-A	
168	43		AN931-4-7								1		04-B	
168	44		AN960-D4								8		04-A	
168	45		AN936-A6								2		29	
168	46		AN931-24-28								3		04-B	
168	47		AN931-14-20								3		04-B	
168	48		AN535-4-6								2		29	
168	49		530-8-10								15		29	
168	50		AN960-D6								2		04-A	
168	51		AN520-6-5								2		29	
168	52		AN515-8-20								2		29	
168	53		AN515-8-16								2		29	
168	54		AN515-8-12								2		29	
168	55		AN515-8-10								18		29	
168	56		AN515-8-8								10		29	
168	57		AN520-10-8								4		29	
168	58		AN515-6-6								4		29	
168	59		AN515-4-8								8		29	
168	60		365-B1032								27		04-A	
168	61		365-832								20		04-A	

RESTRICTED
AN 01-65BC-4
SECTION II—GROUP ASSEMBLY PARTS LISTS

FIG. NO.	INDEX NO.	S T O C K E D	GROUP ELECTRICAL SYSTEM						UNITS PER ASSY	PROPERTY CLASSIFICATION				
			MAJOR ASSEMBLY	INSTALLATION ELECTRICAL SYSTEM FUSELAGE						U.S. NAVY	U.S. ARMY	BRITISH		
			PART NUMBER	1	2	3	4	5					6	NOMENCLATURE
168	62		365-440								10		04-A	
168	63		AN515-6-12								2		29	
168	64		AN505-4-6								2		29	
168	65		188-M-1								2		04-A	
168	66		Insulated Tubing								1		08-B	
168	67		Insulated Tubing								1		08-B	
168	68		Insulated Tubing								1		08-B	
168	69		Insulated Tubing								1		08-B	
168	70		39B2822-2								1		03-C	
168	71		A-1258								1		03-C	
168	72		40A5554								1		03-C	
168	73		Type C-5								1		03-C	
168	74		Type B-8								1		03-C	
168	75		Type C-1								2		03-C	
168	76		T-4½								1		08-B	
168	77		AN3106-10SL-4S								1		03-C	
168	78		39A-2512								1		03-C	
168	79		8916-K-524								1		03-C	
168	80		NAF 1149-16								1		04-A	
168	81		S-9795-5								2		01-N	
168	82		880-M-1								2		04-A	
168	83		3088								5		04-A	
168	84		3087								76		04-A	

RESTRICTED

RESTRICTED
AN 01-65BC-4
SECTION II—GROUP ASSEMBLY PARTS LISTS

FIG. NO.	INDEX NO.	GROUP	ELECTRICAL SYSTEM						UNITS PER ASSY	PROPERTY CLASSIFICATION				
			MAJOR ASSEMBLY	INSTALLATION ELECTRICAL SYSTEM FUSELAGE						U.S. NAVY	U.S. ARMY	BRITISH		
			PART NUMBER	1	2	3	4	5					6	NOMENCLATURE
168	85	2982-5									3		04-A	
168	86	2981-8									1		04-A	
168	87	2981-6									11		04-A	
168	88	2981-4									4		04-A	
168	89	2980-6									1		04-A	
168	90	2981-3									1		04-A	
168	91	S-9795-12									1		01-N	
168	92	9795-6									1		04-A	
168	93	S-42-10-12									27		01-N	
168	94	S-45-12									1		01-N	
168	95	S-45-5									2		01-N	
168	96	S-45-4									1		01-N	
168	97	S-45-1									1		01-N	
168	98	S-46A-12									1		01-N	
168	99	S-46-5									2		01-N	
168	100	S-46-4									1		01-N	
168	101	S-46-1									1		01-N	
168	102	39A3756									1		03-C	
168	103	S-47-1/2									4		01-N	
168	104	S-161-24									1		01-N	

RESTRICTED
AN 01-65BC-4
SECTION II—GROUP ASSEMBLY PARTS LISTS

FIG. NO.	INDEX NO.	SYMBOL	ELECTRICAL SYSTEM						UNITS PER ASSY	PROPERTY CLASSIFICATION			
			GROUP							U.S. NAVY	U.S. ARMY	BRITISH	
			MAJOR ASSEMBLY	INSTALLATION	ELECTRICAL	SYSTEM	FUSELAGE						
			PART NUMBER	1	2	3	4	5	6	NOMENCLATURE			
168	105		S-161-16				Clamp				2		
168	106		S-161-10				Clamp				1		
168	107		S-161-8				Clamp				2		
168	108		S-161-6				Clamp				1		
168	109		S-161-4				Clamp				4		
168	110		S-161-3				Clamp				3		
168	111		S-9795-20				Clamp				2		
168	112		S-9795-11				Clamp				1		
168	113		S-9795-9				Clamp				4		
168	114		S-9795-7				Clamp				2		
168	115		S-9795-4				Clamp				2		
168	116		S-9795-3				Clamp				1		
168	117		S-9746-4-3/16				Spacer				2		
168	118		S-183-8-48				Loom				1		
168	119		S-183-5-80				Loom				1		
168	120		S-183-5-40				Loom				1		
168	121		S-183-5-35				Loom				1		
168	122		S-183-2-86				Loom				1		
168	123		S-183-2-56				Loom				1		
168	124		S-183-2-26				Loom				1		
168	125		S-183-2-12				Loom				1		

Unless otherwise noted all parts are in class 01-N.

RESTRICTED
AN 01-65BC-4
SECTION II—GROUP ASSEMBLY PARTS LISTS

FIG. NO.	INDEX NO.	GROUP	ELECTRICAL SYSTEM						UNITS PER ASSY	PROPERTY CLASSIFICATION		
			MAJOR ASSEMBLY		INSTALLATION ELECTRICAL SYSTEM FUSELAGE					U.S. NAVY	U.S. ARMY	BRITISH
			PART NUMBER	1	2	3	4	5				
168	126	S-177A-10-20							1			Unless otherwise noted all parts are in class 01-N.
168	127	S-177A-10-13							1			
168	128	S-177A-8-40							1			
168	129	S-177A-6-35							1			
168	130	S-177A-6-25							1			
168	131	S-177A-6-19							1			
168	132	S-177A-4-29							1			
168	133	S-175A-10-16							1			
168	134	S-174A-16-4B							1			
168	135	S-174A-16-23							1			
168	136	S-174A-16-22							1			
168	137	S-174A-16-17							1			
168	138	S-174A-16-9							1			
168	139	S-174A-3-64							1			
168	140	S-174A-3-32							1			
168	141	S-174A-3-11							2			
168	142	S-174A-3-6							1			
168	143	S245-6							2			
168	144	29512-1							1		08-B	
168	145	89F82107-52							1			
168	146	89F82225-2							1			
168	147	S-245-3							1			
168	148	89F82202							2			
168	149	89F82242							2			
168	150	89F82149							2			
168	151	89F82312							1			
168	152	89F82193							1			
168	153	89F82143							1			
168	154	89F82136-2							1			

RESTRICTED
AN 01-65BC-4
SECTION II—GROUP ASSEMBLY PARTS LISTS

FIG. NO.	INDEX NO.	STOCKED	GROUP ELECTRICAL SYSTEM						UNITS PER ASSY	PROPERTY CLASSIFICATION				
			MAJOR ASSEMBLY	INSTALLATION ELECTRICAL SYSTEM FUSELAGE						U.S. NAVY	U.S. ARMY	BRITISH		
			PART NUMBER	1	2	3	4	5					6	NOMENCLATURE
168	155		89F82269-51							Installation Fire Wall Junction Box	1			
168	156		89F82208							Name Plate - Gun and Camera Switch	1			
168	157		89F82267-51							Installation Battery Junction Box	1			
168	158		89F82251							Installation - Storage Battery Drain Tube	1			
168	159		89F82300-1							Conduit	1			
168	160		89F82300-2							Conduit	1			

Unless otherwise noted all parts are in class 01-K.

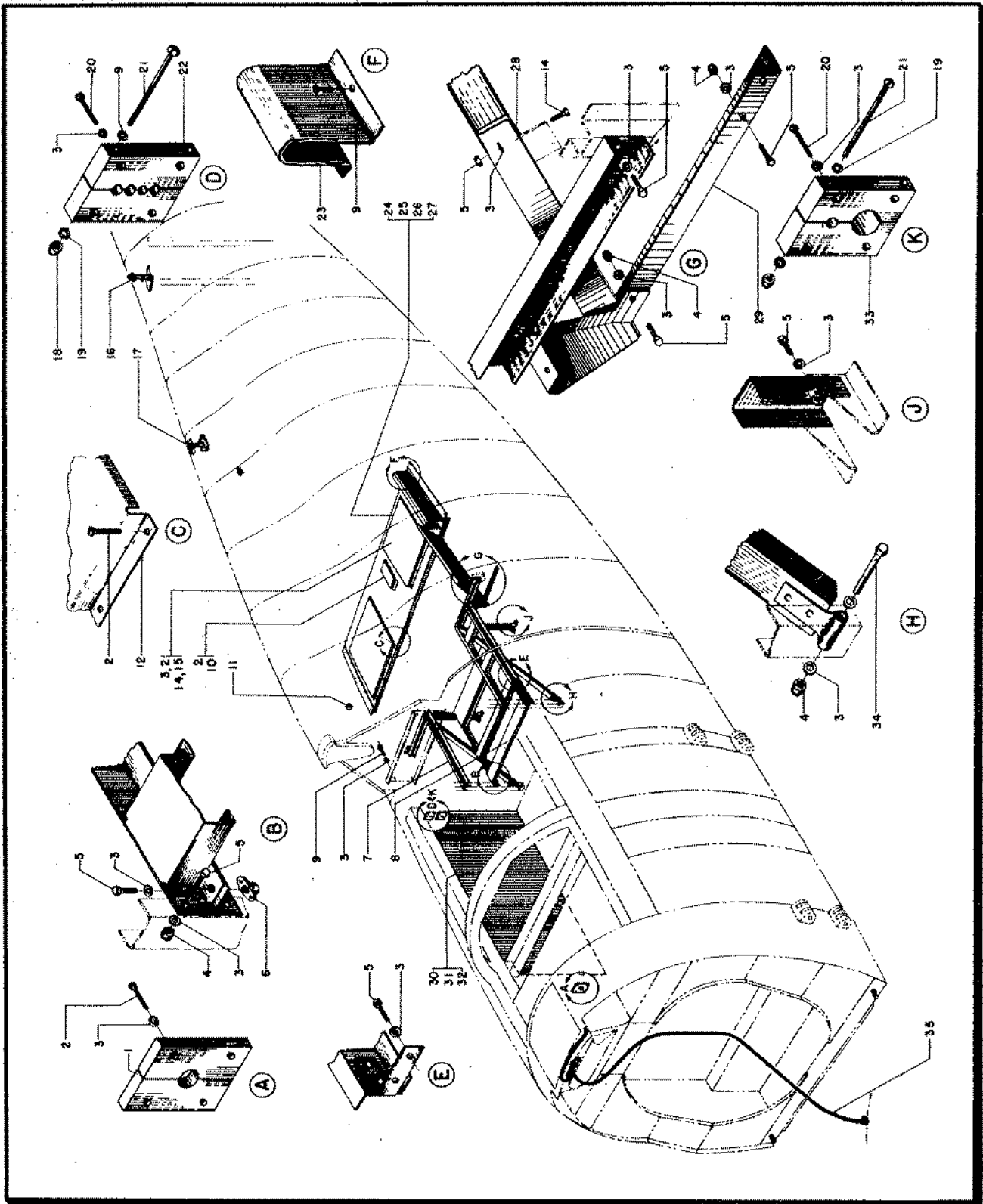


Figure 169—Radio Fixtures

RESTRICTED
AN 01-65BC-4
SECTION II—GROUP ASSEMBLY PARTS LISTS

FIG. NO.	INDEX NO.	STOCKED	GROUP						UNITS PER ASSY	PROPERTY CLASSIFICATION		
			MAJOR ASSEMBLY		INSTALLATION OF RADIO FIXTURES					U.S. NAVY	U.S. ARMY	BRITISH
			PART NUMBER	1	2	3	4	5				
169	1		89F83302						1		01-N	
169	2		89F83389						2		01-N	
			AN520-10-14									
169	3		AN960-D10						24		29	
169	4		365-1032						39		04-A	
169	5		AN3-1032						15		04-A	
169	6		AN3-4A						31		04-A	
169	7		366-F1032						12		04-A	
169	8		89F83382									
			89F83382									
169	8		89F83385						1		01-N	
			89F83385									
169	9		AN520-10-17						1		01-N	
169	10		89F8332						5		29	
169	11		89F8332						1		01-N	
169	12		AN931-5-9						1		04-B	
169	13		89F83331-3						1		01-N	
169	13		89F83333-3									
			89F83333-3						1		01-N	
169	14		89F83033									
			89F83033									
169	15		AN520-10-8						1		01-N	
169	16		89F83361						4		29	
			89F83361									
169	17		89F83360						1		01-N	
			89F83360									
169	18		365-832						1		01-N	
169	19		AN960-8						2		04-A	
169	20		AN520-10-18						4		04-A	
169	21		AN515-8-48						8		29	
169	22		89F83380-1						2		29	
			89F83380-1									
169	23		89F83365									
			89F83365						1		01-N	
169	24		89F83330-15						1		01-N	
			89F83330-15									
169	25		89F83330-16						1		01-N	
			89F83330-16									
169	26		ANA-4A						1		01-N	
169	27		AN960-D416						6		04-A	
169	28		89F83317						6		04-A	
			89F83317									
169	29		89F83320						1		01-N	
169	30		89F83340						1		01-N	
			89F83340									
169	31		89F83040						1		01-N	
			89F83040									
169	32		89F83041						1		01-N	
			89F83041									
169	33		89F83381-1						1		01-N	
169	34		AN3-15A						2		01-N	
169	35		89F83395						31		04-A	
			89F83395									
			89F83395						1		01-N	

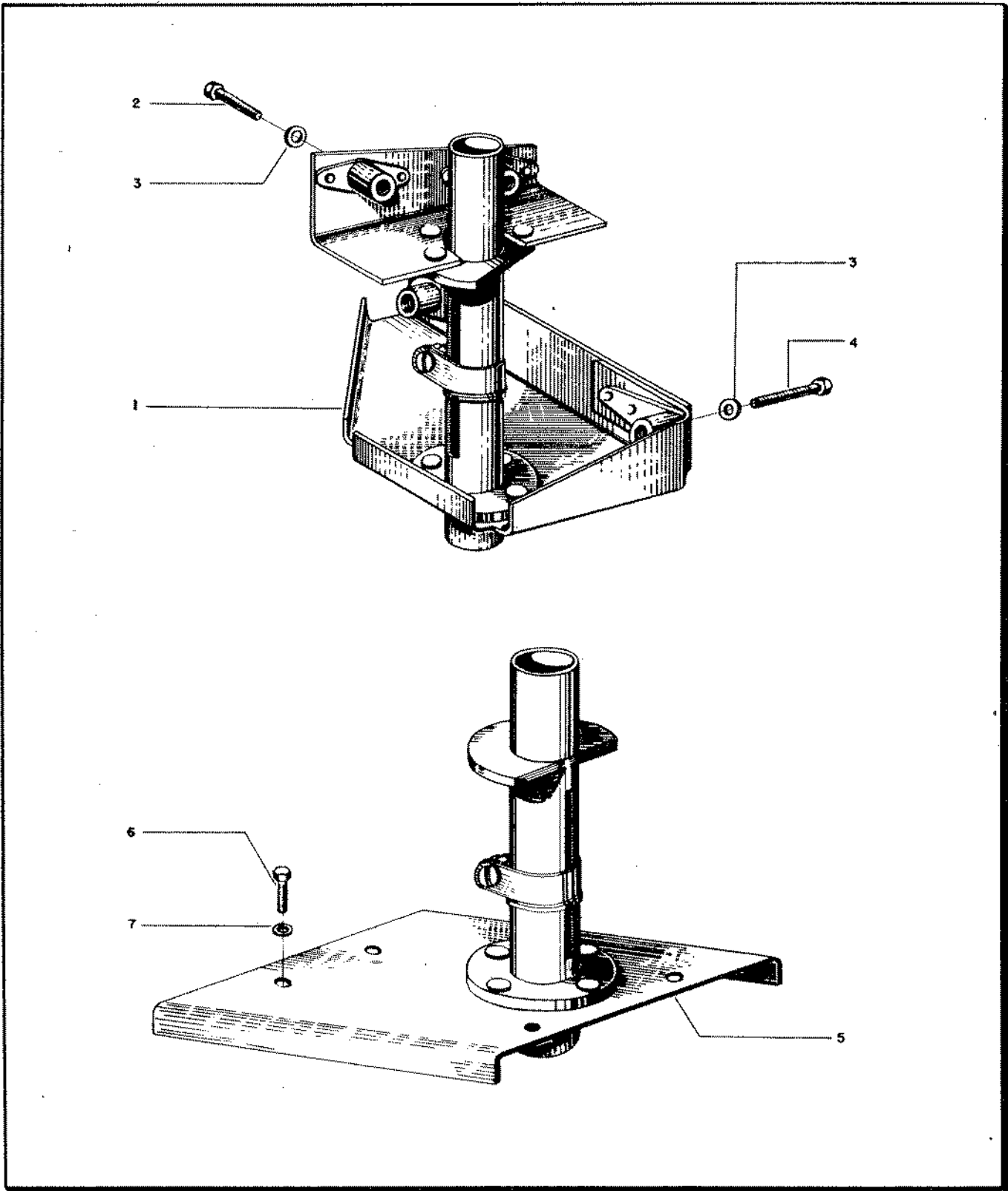


Figure 170—Dipole Supports

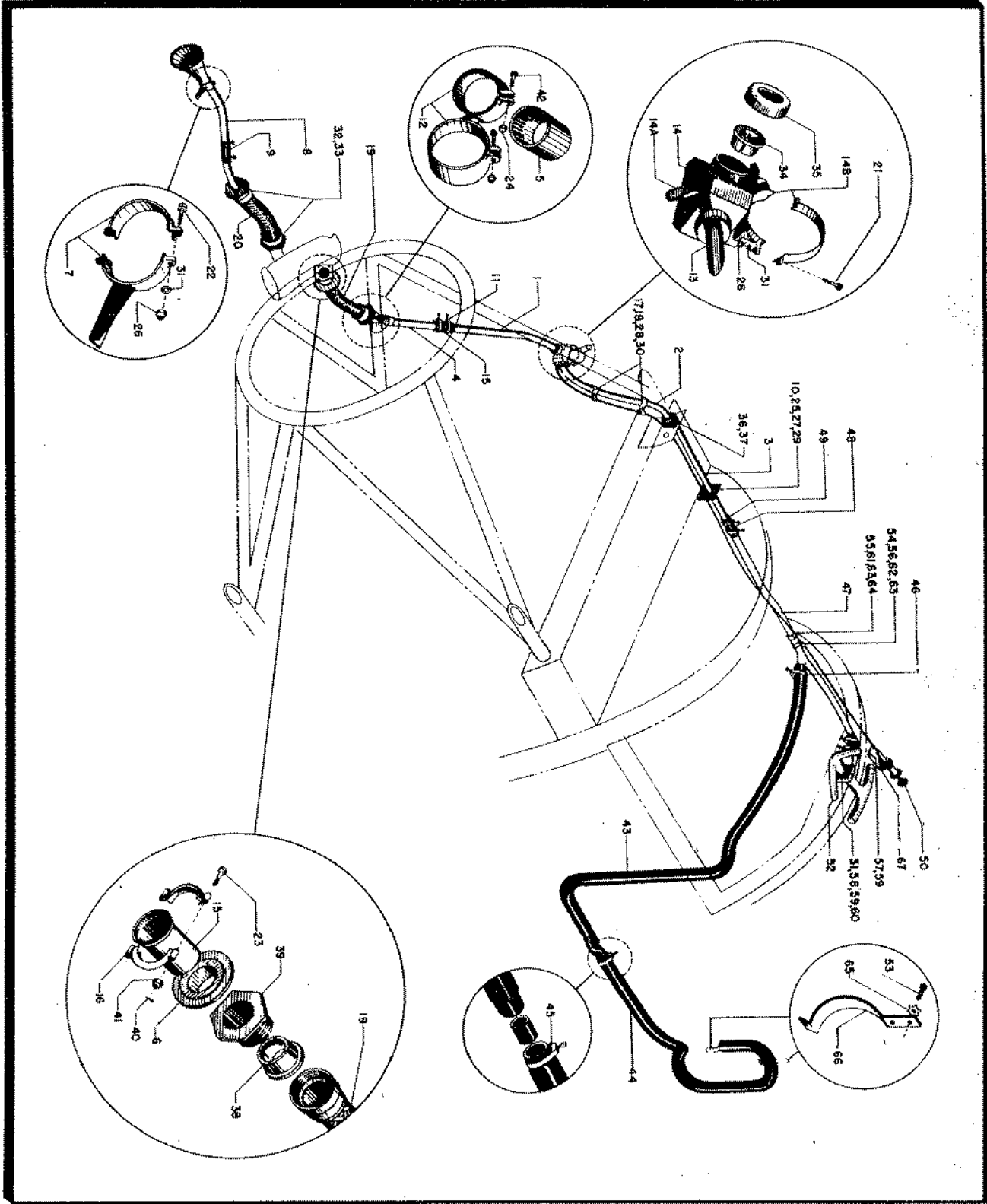


Figure 171—Windshield Defroster and Cockpit Heater

RESTRICTED
AN 01-65BC-4
SECTION II—GROUP ASSEMBLY PARTS LISTS

FIG. NO.	INDEX NO.	STOCK NUMBER	GROUP		EQUIPMENT						UNITS PER ASSEMBLY	PROPERTY CLASSIFICATION			
			MAJOR ASSEMBLY INSTALLATION WINDSHIELD DEFROSTER EQUIPMENT						U.S. NAVY	U.S. ARMY		BRITISH			
			PART NUMBER	1	2	3	4	5					6	NOMENCLATURE	
			89P84250									1			
171	1		89P84250-3									1			
171	2		89P84250-4									1			
171	3		89P84250-5									1			
171	4		89P84250-6									1			
171	5		89P66181									1			
171	6		89P84176									1			
171	7		89P84183									1			
171	8		89P84185-8									1			
171	9		89P84186									1			
171	10		89P84189									2			
171	11		89P84206-2									1			
171	12		89P84225									1			
171	13		89P84228									1			
171	14		89P84335									1			
171	14B		89P84336									1			
171	14A		89P84339									1			
171	15		89P84318									1			
171	16		89P84182									2			
171	17		2982-4									2		04-A	
171	18		S-9795-16									2			
171	19		S-174-20-6									1			
171	20		S-174-24-10 $\frac{1}{2}$									1			
171	21		AN3-7A									2		04-A	
171	22		AN3-13A									2		04-A	
171	23		AN3-13									2		04-A	
171	24		AN365-428									2		04-A	
171	25		AN365-832									4		04-A	
171	26		AN365-1032									4		04-A	
171	27		AN515-8-8									4		29	

Unless otherwise noted all parts are in class 01-N.

RESTRICTED
AN 01-65BC-4
SECTION II—GROUP ASSEMBLY PARTS LISTS

FIG. NO.	INDEX NO.	GROUP	EQUIPMENT						UNITS PER ASSY	PROPERTY CLASSIFICATION			
			MAJOR ASSEMBLY INSTALLATION WINDSHIELD DEFROSTER EQUIPMENT							U.S. NAVY	U.S. ARMY	BRITISH	
			PART NUMBER	1	2	3	4	5					6
171	28	AN530-8-8							2		29		
171	29	AN960-8							4		04-A		
171	30	AN960-D8							2		04-A		
171	31	AN960-10							4		04-A		
171	32	AN3053-24							2		04-A		
171	33	AN3056-24							2		04-A		
171	34	AN3053-16							4		04-A		
171	35	AN3054-16							5		04-A		
171	36	AN3058-16							1		04-A		
171	37	AN3066-16							1		04-A		
171	38	AN3053-20							2		04-A		
171	39	AN3056-20							2		04-A		
171	40	AN380-C2-2							2		29		
171	41	AN310-3							2		04-A		
171	42	AN3-11A							2		04-A		
		89F84002							1		01-N		
		Installation Windshield Defroster and Cockpit Heater (P47C, P-47D)											
		89F84002-1							1		01-N		
171	43	89F84237-1							1		01-N		
171	44	89F84237-2							1		01-N		
171	45	FB20A							1		04-A		
171	46	FB16A							1		04-A		
171	47	89F84236							1		01-N		
171	48	89F84206-3							2		01-N		
171	49	89F84341-1							1		01-N		
171	50	89F84338-2							1		01-N		
171	51	89F84323							1		01-N		
171	51	89F84337							1		01-N		
171	52	89F84331							1		01-N		
171	53	S-3-8-5							2		01-N		
171	54	S-9795-16							1		01-N		
171	55	S-9796-16L							1		01-N		

RESTRICTED
AN 01-65BC-4
SECTION II—GROUP ASSEMBLY PARTS LISTS

FIG. NO.	INDEX NO.	STOCKED	GROUP						EQUIPMENT						UNITS PER ASSY	PROPERTY CLASSIFICATION		
			MAJOR ASSEMBLY INSTALLATION WINDSHIELD DEFROSTER EQUIPMENT													U.S. NAVY	U.S. ARMY	BRITISH
			PART NUMBER	1	2	3	4	5	6	NOMENCLATURE								
171	56		2982-4											1			04-A	
171	57		AN525-10-8											1			29	
171	58		AN3-23A											1			04-A	
171	59		AN365-1032											2			04-A	
171	60		AN960-D10											2			04-A	
171	61		AN515-8-10											1			29	
171	62		AN530-8-8											1			29	
171	63		AN960-D8											2			04-A	
171	64		AN365-832											1			04-A	
171	65		AN936-A8											2			29	
171	66		89F84309											1			01-N	

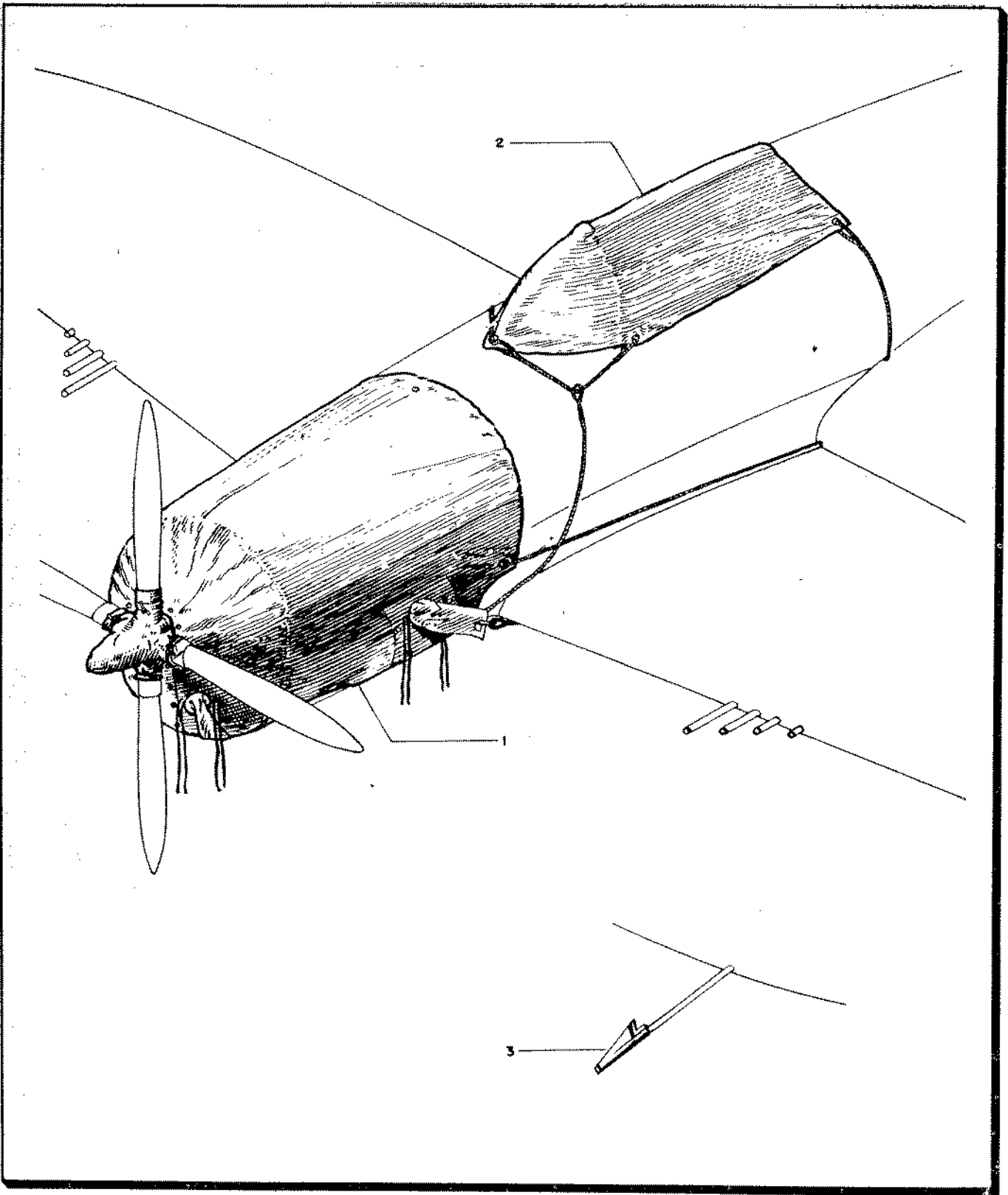


Figure 172—Cover Assembly Engine and Hub

RESTRICTED
AN 01-65BC-4
SECTION II—GROUP ASSEMBLY PARTS LISTS

FIG. NO.	INDEX NO.	STOCKED	GROUP	EQUIPMENT						UNITS PER ASSY	PROPERTY CLASSIFICATION										
			MAJOR ASSEMBLY	INSTALLATION - EQUIPMENT & FURNISHINGS							U.S. NAVY	U.S. ARMY	BRITISH								
			PART NUMBER	1	2	3	4	5	6					NOMENCLATURE							
2	2		89X84300																		
172	1		89P84100																	01-N	
172	2		89X84301																		01-N
172	3		89F8419C																		01-N

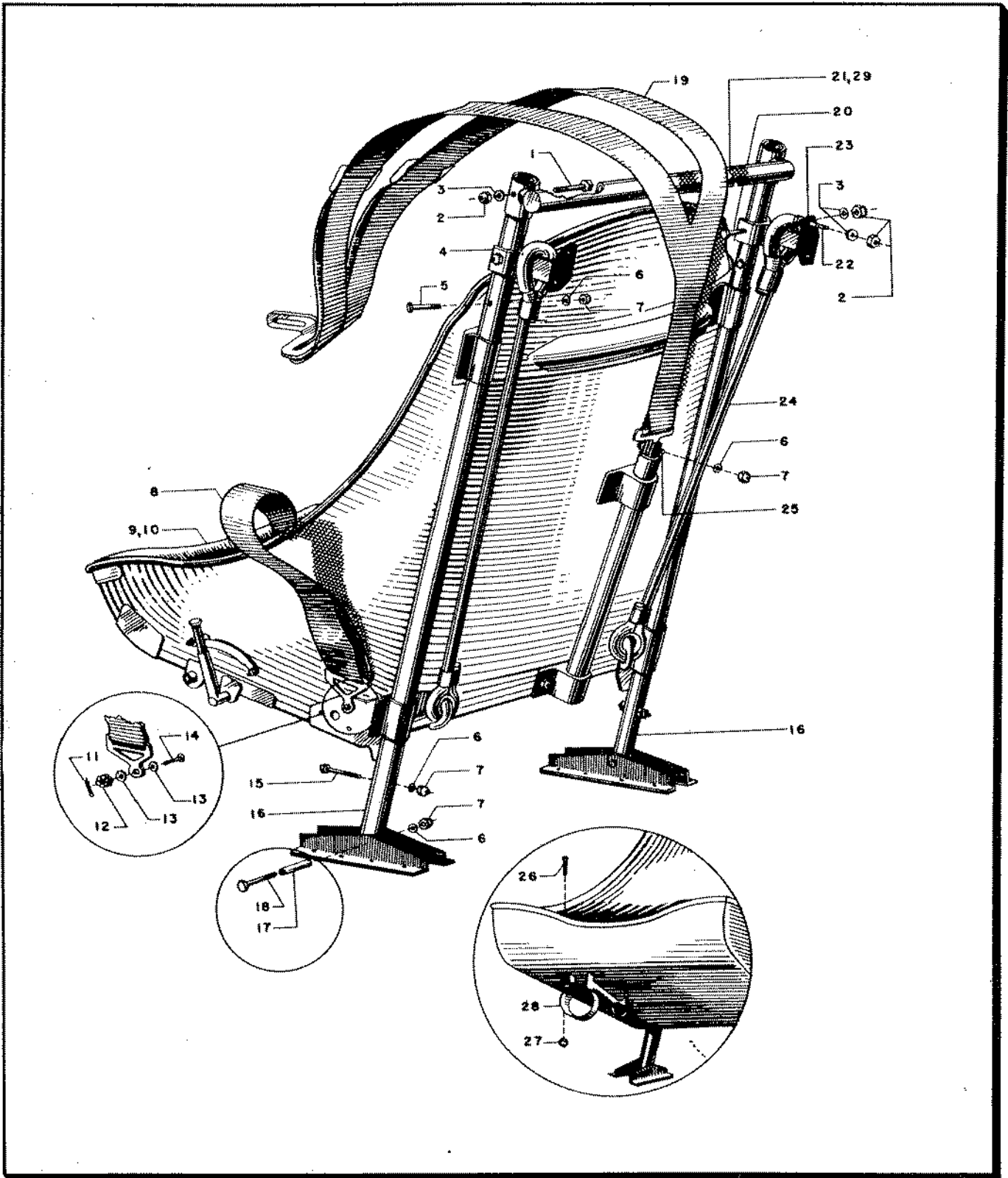


Figure 173—Pilot's Seat

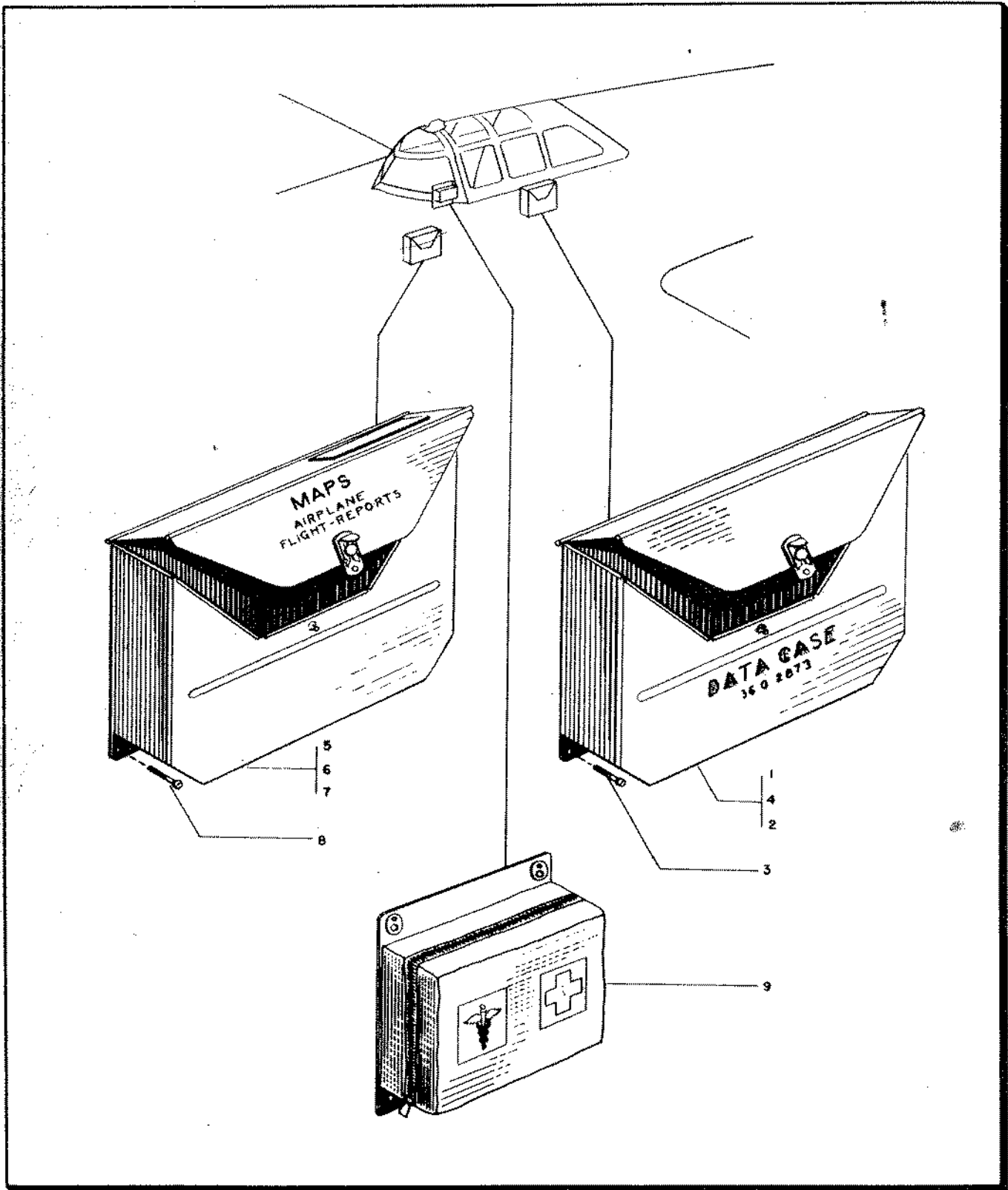


Figure 174—Data Case

RESTRICTED
AN 01-65BC-4
SECTION II—GROUP ASSEMBLY PARTS LISTS

FIG. NO.	INDEX NO.	STOCKED	GROUP		EQUIPMENT						UNITS PER ASSY	PROPERTY CLASSIFICATION		
			MAJOR ASSEMBLY		INSTALLATION - DATA CASE							U.S. NAVY	U.S. ARMY	BRITISH
			PART NUMBER		1	2	3	4	5	6				
174	1		89F84103									1	01-N	
174	2		AN525-10-10									4	29	
174	3		AN510-10-10									4	29	
174	4		89F84324-2									1	01-N	
174	5		89F84302									1	01-N	
174	6		89F84324-1									1	01-N	
174	7		AN525-10-10									4	29	
174	8		AN510-10-8									4	29	
174	9		X42D7411									1	Med Corps	

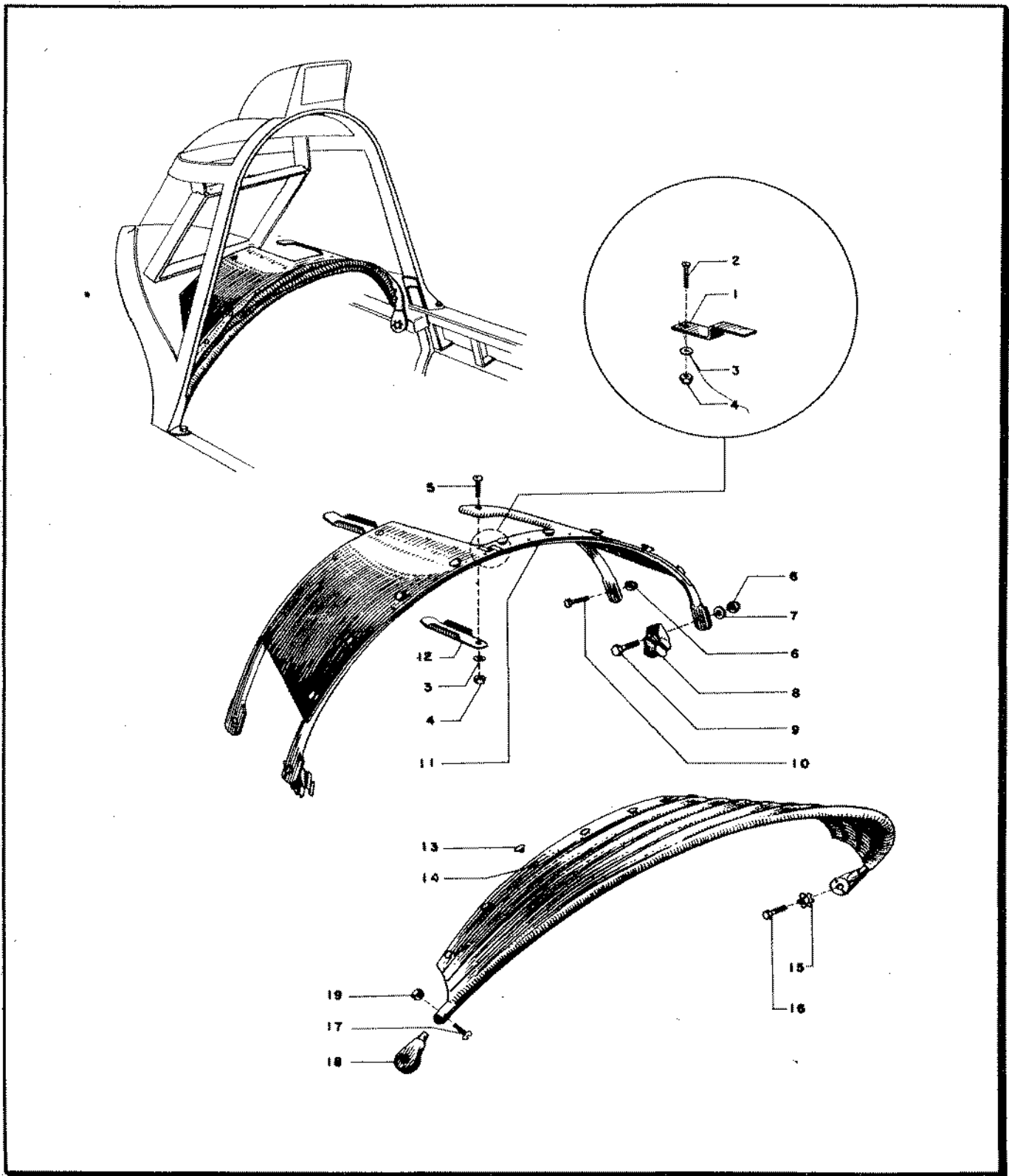


Figure 175—Anti-Glare Shield

RESTRICTED
AN 01-65BC-4
SECTION II—GROUP ASSEMBLY PARTS LISTS

FIG. NO.	INDEX NO.	STOCKED	GROUP		EQUIPMENT						UNITS PER ASSY.	PROPERTY CLASSIFICATION						
			MAJOR ASSEMBLY	INSTALLATION	-ANTI-GLARE SHIELD							U.S. NAVY	U.S. ARMY	BRITISH				
					PART NUMBER	1	2	3	4	5					6	NOMENCLATURE		
175	1		89X84105									1		01-N				
175	2		93F11210									1		01-N				
175	2		AN515-8-10									2		29				
175	3		AN960-D8									4		04-A				
175	3		AN960-D8									2		04-A				
175	4		AN365-832									4		04-A				
175	4		AN365-832									2		04-A				
175	5		AN515-8-16									2		29				
175	6		AN365-1032									4		04-A				
175	7		AN960-10									2		04-A				
175	8		89F84197									2		01-N				
175	9		AN3-5A									2		04-A				
175	10		AN3-4A									2		04-A				
175	11		89F84105-1									1		01-N				
175	12		89F84198									2		01-N				
175	12		89F84106									1		01-N				
175	13		AN224-1									9		29				
175	14		AN224-2									9		29				
175	15		3422-10									4		29				
175	16		AN3-10A									2		04-A				
175	17		AN515-6-12									2		29				
175	18		89F84107-7									2		01-N				
175	19		AN365-632									2		04-A				

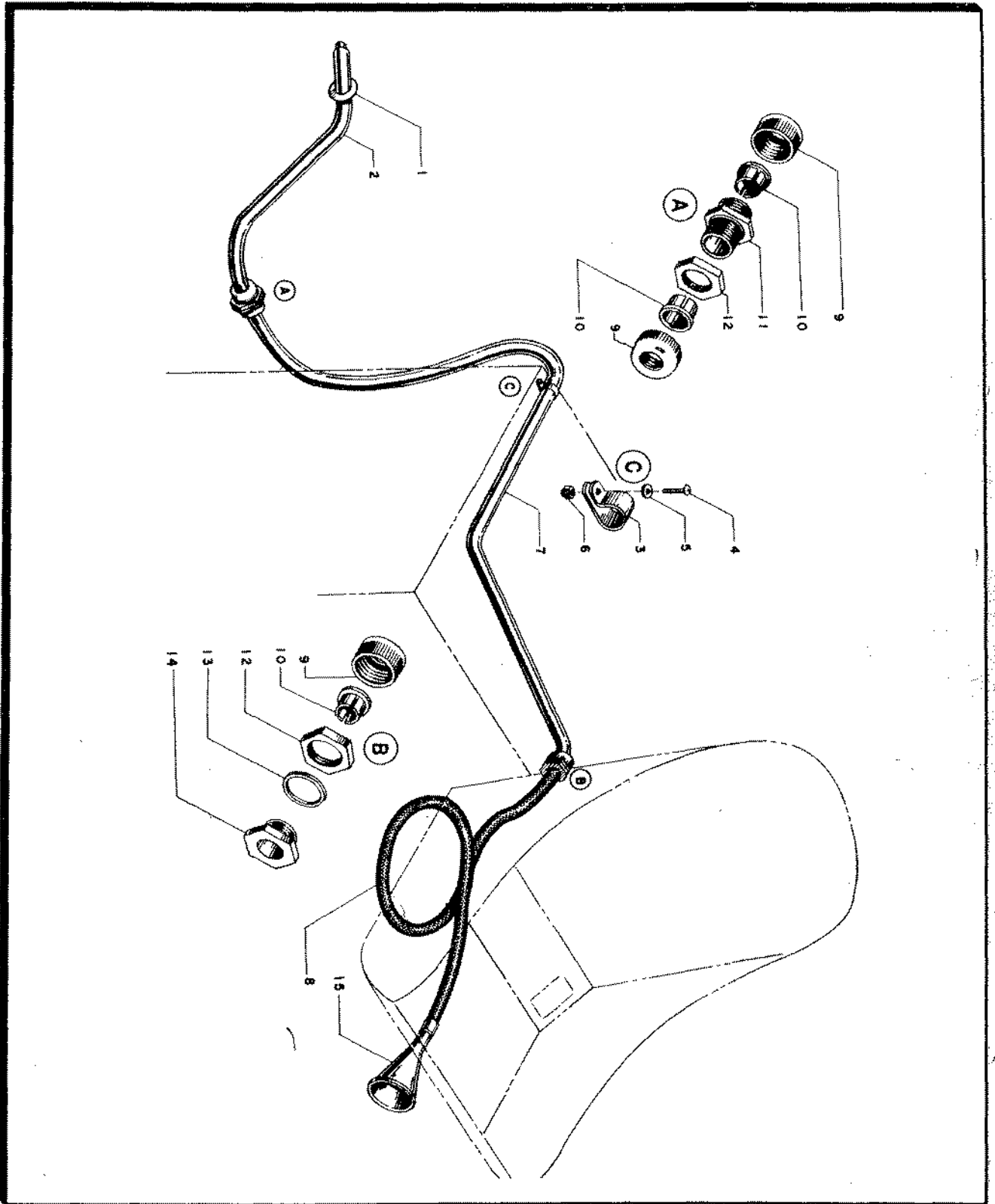


Figure 176—Pilot's Relief Tube

Section II
Group Assembly Parts List

RESTRICTED
AN 01-658C-4

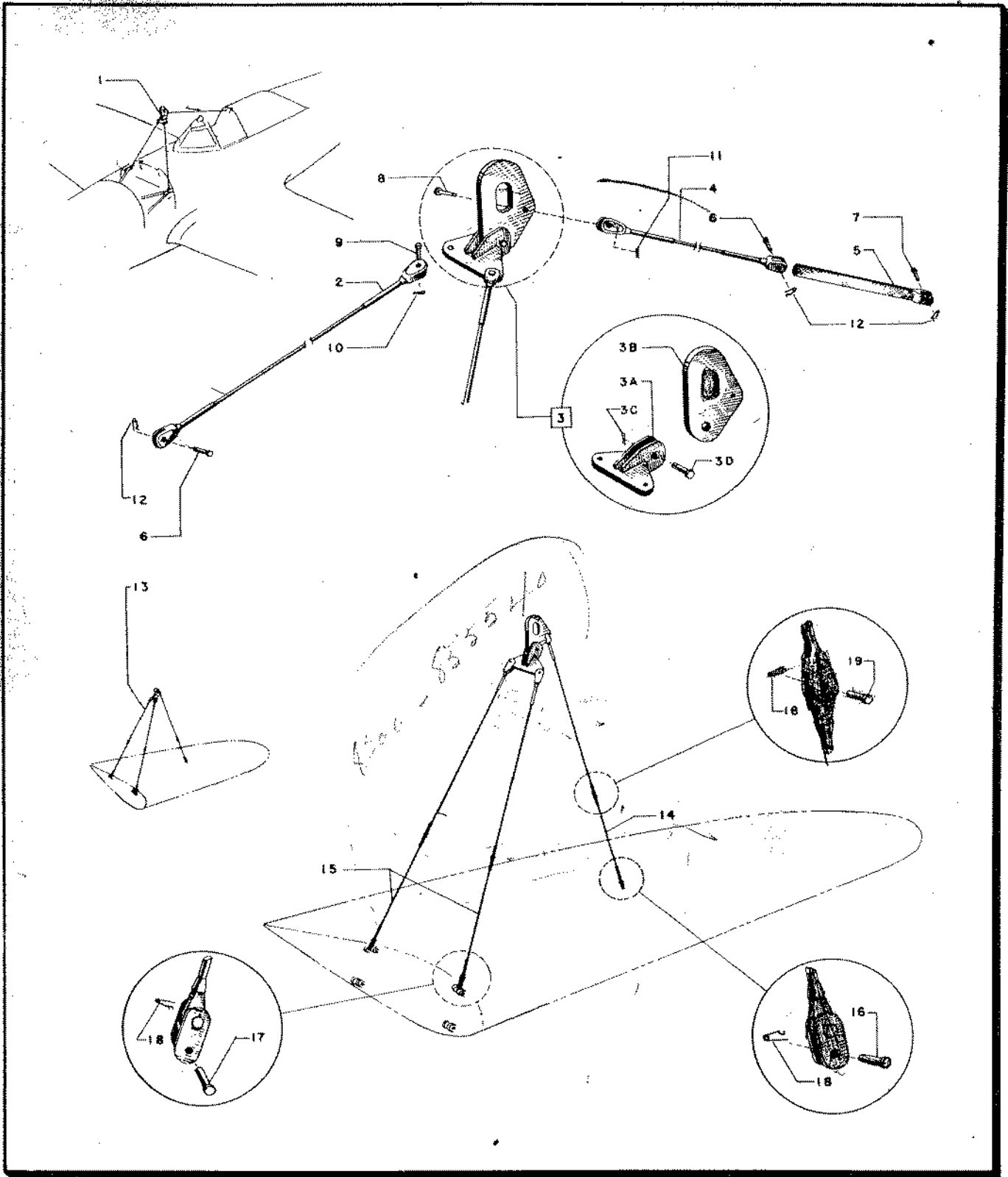


Figure 177—Handling Equipment

RESTRICTED
AN 01-65BC-4
SECTION II—GROUP ASSEMBLY PARTS LISTS

FIG. NO.	INDEX NO.	GROUP	EQUIPMENT						UNITS PER ASSY	PROPERTY CLASSIFICATION											
			MAJOR ASSEMBLY	INSTALLATION - HANDLING EQUIPMENT						U.S. NAVY	U.S. ARMY	BRITISH									
				PART NUMBER	1	2	3	4					5	6	NOMENCLATURE						
		89X84108-1															Installation-Handling Equipment (P-47B, P-47C-RE)			01-N	
		89X84108-2															Installation-Handling Equipment (P-47C-1-RE and up)			01-N	
177	1	89F84234-1															Hoist Sling Assembly - (P-47D)	1		01-N	
177	1	89F84234-2															Hoist Sling Assembly - (P-47C)	1		01-N	
177	2	89X84904															Cable Assembly - (P-47C, P-47D)	2		01-N	
177	3	89X84902															Fitting Assembly - (P-47C, P-47D)	1		01-N	
177	3A	89X84902-1															Welded Assembly	1		01-N	
177	3B	89X84902-4															Lug	1		01-N	
177	3C	AN380-4-5															Pin Cotter	1		29	
177	3D	AN402-33															Pin Flat Head	1		04-A	
177	4	89X84903-1															Cable Assembly - (P-47C)	1		01-N	
177	4	89X84903-2															Cable Assembly - (P-47D)	1		01-N	
177	5	89X84233															Link Assembly - (P-47C)	1		01-N	
177	6	AN397-33															Pin Flat Head - (P-47C, P-47D)	3		04-A	
177	7	AN397-25															Pin Flat Head - (P-47C)	1		04-A	
177	8	AN397-35															Pin Flat Head - (P-47C, P-47D)	1		04-A	
177	9	AN398-33															Pin Flat Head - (P-47C, P-47D)	2		04-A	
177	10	AN380-3-4															Cotter Pin - (P-47C, P-47D)	2		29	
177	11	AN380-3-3															Cotter Pin - (P-47C, P-47D)	1		29	
177	12	AN416-2															Safety Pin - (P-47C, P-47D)	4		04-A	
177	13	89X84910															Hoist Sling Assembly - Wing (P-47B, P-47C, P-47D)	1		01-N	
177	14	89X84911-3															Cable Assembly	1		01-N	
177	14	89X84911-4															Cable Assembly	1		01-N	
177	15	89X84912-3															Cable Assembly	2		01-N	
177	15	89X84912-4															Cable Assembly	2		01-N	
177	16	AN396-19															Pin	1		04-A	
177	17	AN395-19															Pin	2		04-A	
177	18	AN416-2															Safety Pin	3		04-A	
177	19	AN397-33															Pin	1		04-A	

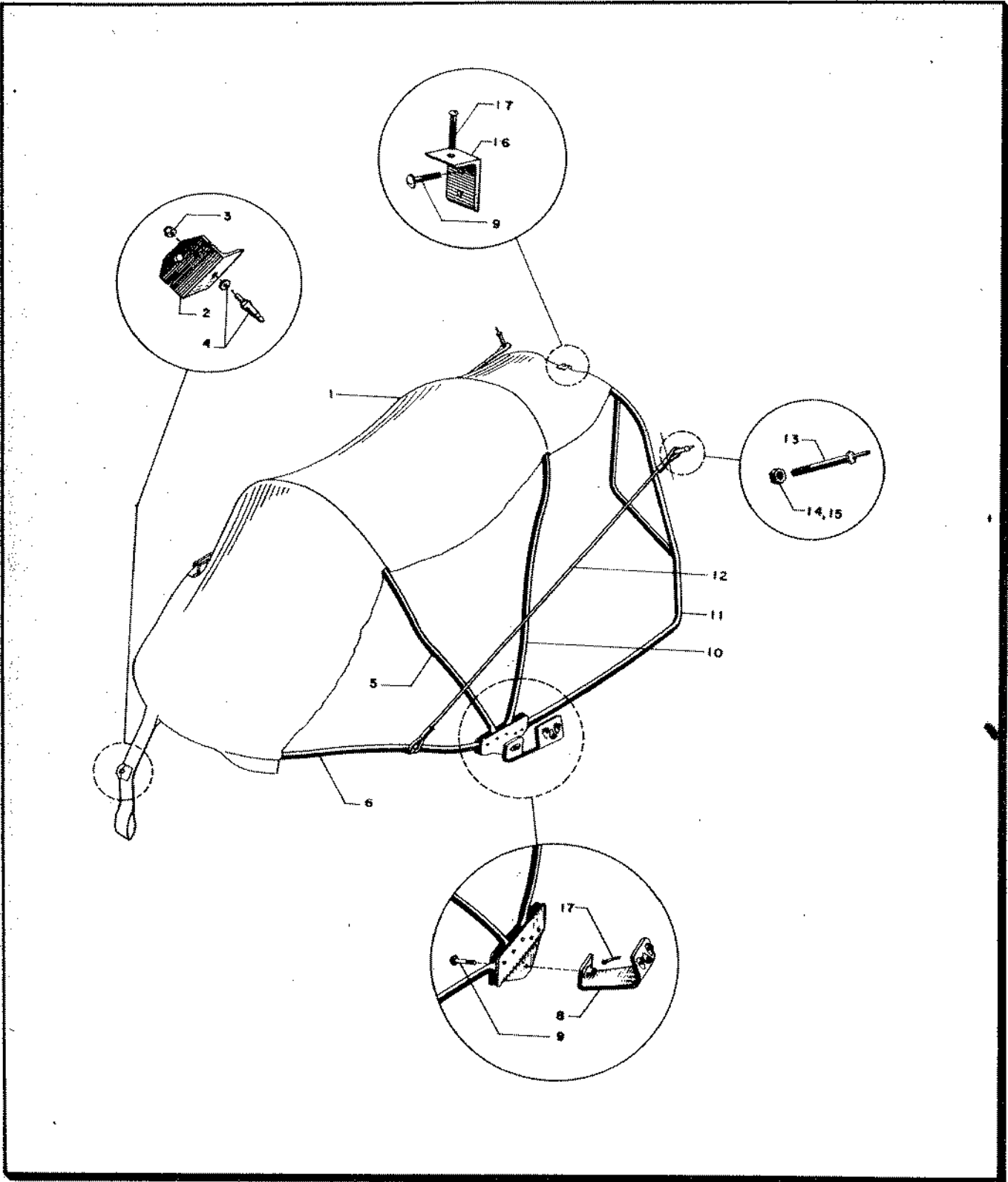
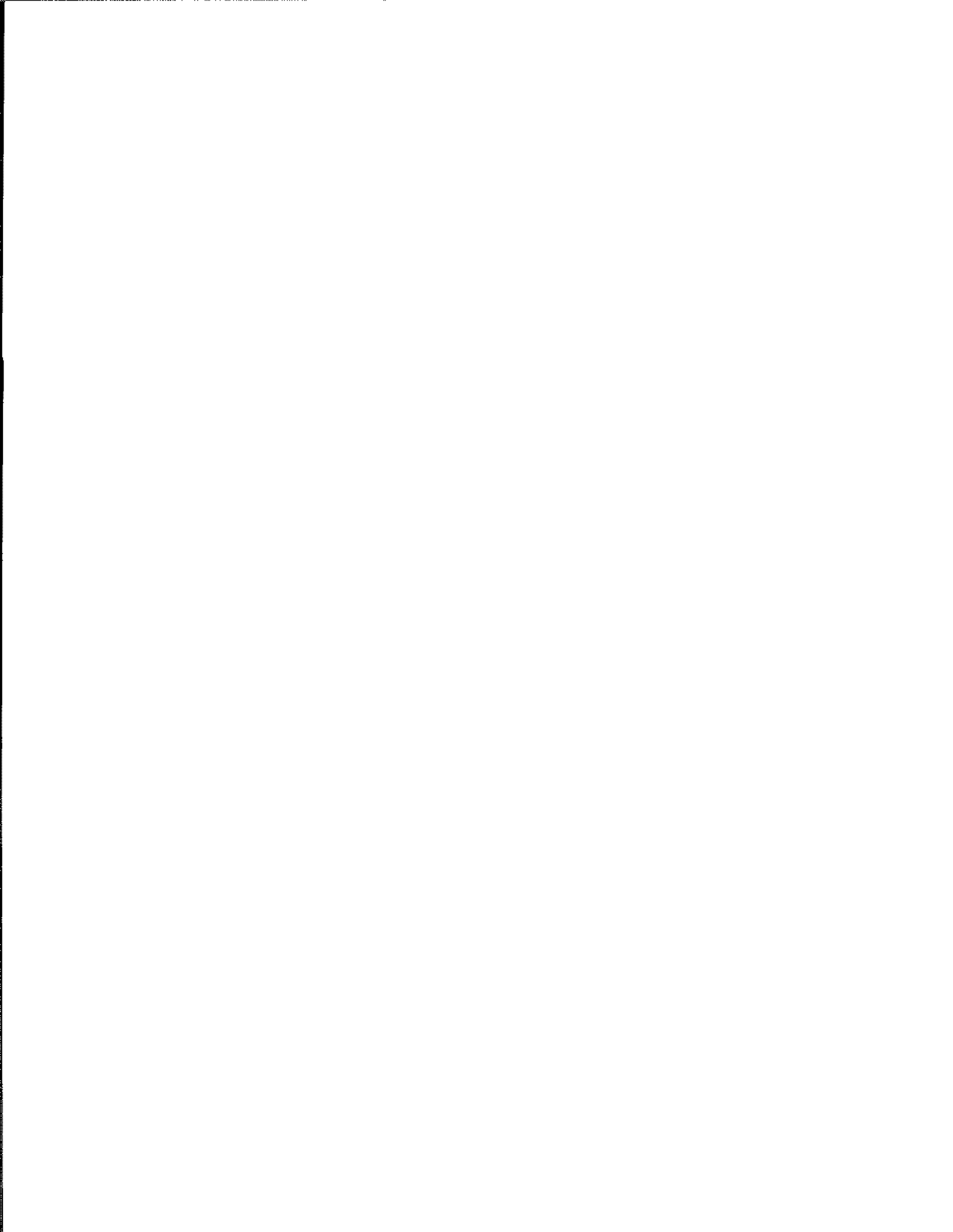


Figure 178—Blind Flying Hood



RESTRICTED
AN 01-65BC-4
SECTION II—GROUP ASSEMBLY PARTS LISTS

FIG. NO.	INDEX NO.	S T O C K E D	GROUP		EQUIPMENT							UNITS PER ASSY	PROPERTY CLASSIFICATION		
			MAJOR ASSEMBLY		BLIND FLYING HOOD								U.S. NAVY	U.S. ARMY	BRITISH
			PART NUMBER		1	2	3	4	5	6	NOMENCLATURE				
178	1		89F84110									1		01-N	
			89F84144									1		01-N	
178	2		89F84137									1		01-N	
178	3		AN365-832									1		04-A	
178	4		AN225-2									1		29	
178	5		89F84140									1		01-N	
178	6		89F84139									1		01-N	
			AN505D8-10									1		29	
178	8		89F84138									1		01-N	
178	9		AN525D10-10									3		29	
178	10		89F84141									1		01-N	
178	11		89F84142									1		01-N	
178	12		89F84144-13									2		01-N	
178	13		89F84150-1									2		01-N	
178	14		AN315-3R									2		04-A	
178	15		AN365-1032									2		04-A	
178	16		89F84145									1		01-N	
178	17		AN515D8-12									1		29	

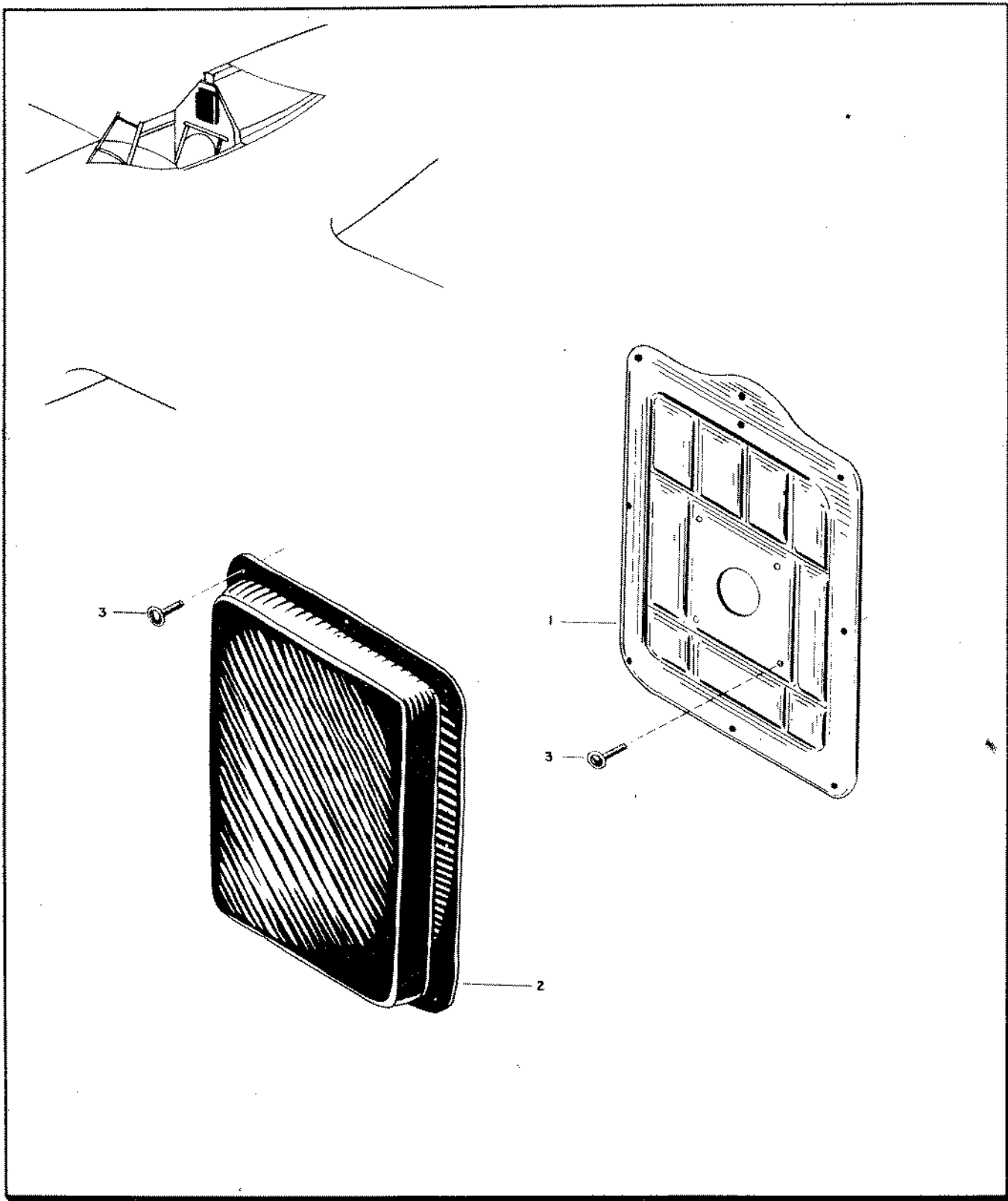


Figure 179—Head Rest

RESTRICTED
AN 01-65EC-4
SECTION II—GROUP ASSEMBLY PARTS LISTS

FIG. NO.	INDEX NO.	GROUP	EQUIPMENT						UNITS PER ASSY	PROPERTY CLASSIFICATION			
			MAJOR ASSEMBLY		HEAD REST					U.S. NAVY	U.S. ARMY	BRITISH	
			PART NUMBER	1	2	3	4	5					6
			89F84111							1		01-N	
179	1		89F84113							1		01-N	
179	2		89F84112							1		01-N	
179	3		525-10-8							12		29	

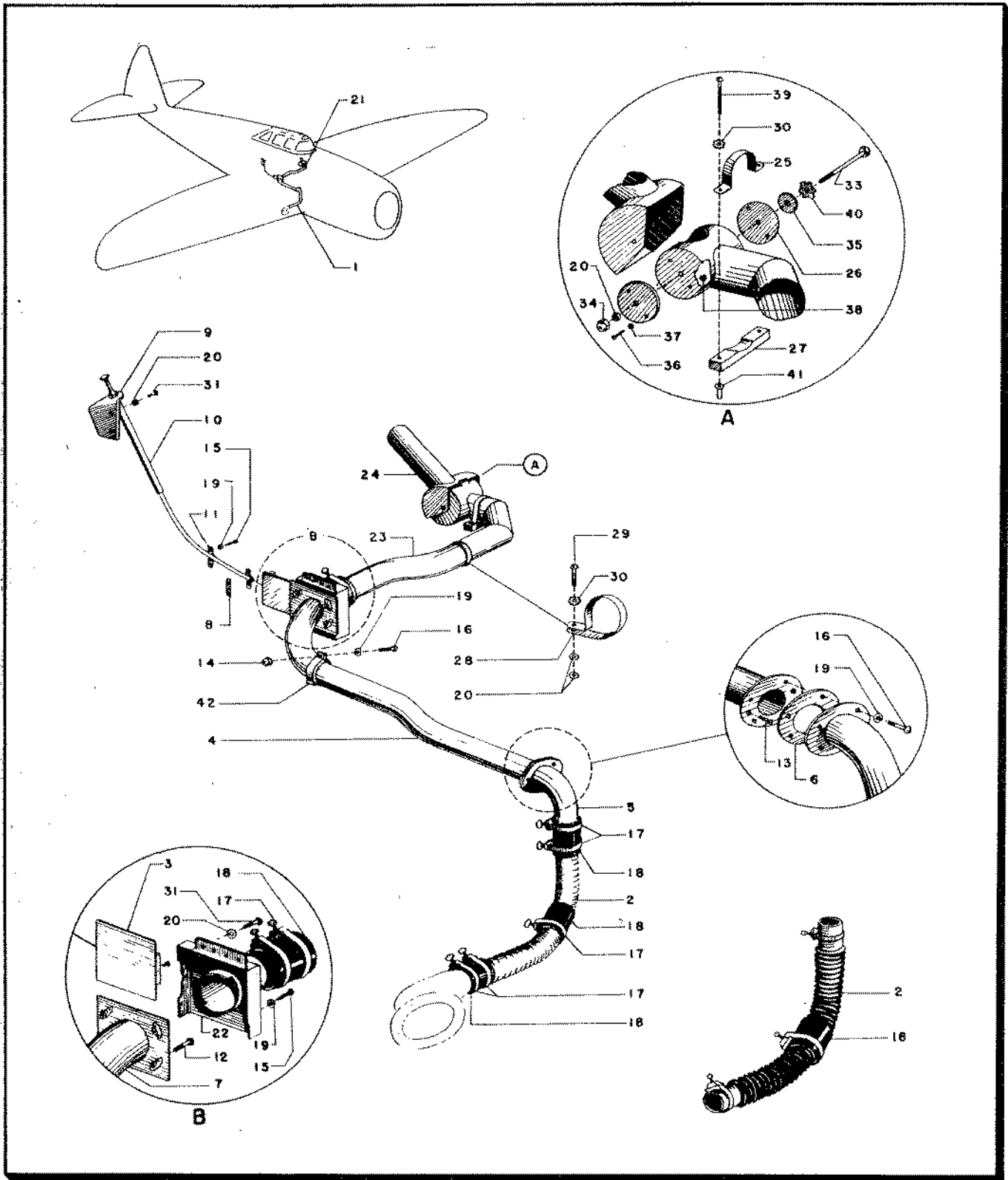


Figure 180—Cockpit Vent

RESTRICTED
AN 01-65BC-4
SECTION II—GROUP ASSEMBLY PARTS LISTS

FIG. NO.	INDEX NO.	STOCK CODE	GROUP		EQUIPMENT						UNITS PER ASSY	PROPERTY CLASSIFICATION			
			MAJOR ASSEMBLY		COCKPIT VENT							U.S. NAVY	U.S. ARMY	BRITISH	
			PART NUMBER		1	2	3	4	5	6					NOMENCLATURE
			89F84118-50									1		01-N	
			89F84118-51									1		01-N	
			89F84118-52									1		01-N	
180	1		89F84118-1									1		01-N	
180	1		89F84235									1		01-N	
180	2		89F84122									1		01-N	
180	3		89F84125									1		01-N	
180	4		89F84126									1		01-N	
180	4		89F84227									1		01-N	
180	5		89F84127									1		01-N	
180	6		89F84128									1		01-N	
180	7		89F84134									1		01-N	
180	8		89F84219									1		01-N	
180	9		89F84213									1		01-N	
180	9		89F84344									1		01-N	
180	10		89F84215-1									1		01-N	
180	10		89F84215-2									1		01-N	
180	11		89F84216									1		01-N	
180	12		S-52-8-2									4		01-N	
180	13		S-52-8-4									2		01-N	
180	14		AN365-832									1		04-A	
180	15		AN515-8-8									5		29	
180	16		AN515-8-12									5		29	
180	17		FB44A									4		04-A	
180	17		FB36A									4		04-A	
180	18		AN884-32-14									2		04-B	
180	18		89F84319									2		01-N	
180	19		AN960-D8									9		04-A	
180	20		AN960-D10									2		04-A	
180	21		89F84201									1		01-N	
180	22		89F84200									1		01-N	
180	23		89F84202									1		01-N	
180	24		89F84208									1		01-N	
180	25		89F84207									1		01-N	
180	26		89F84202									2		01-N	
180	27		89F84212									1		01-N	
180	28		S-9795-32									1		01-N	
180	29		S-3-8-10									1		01-N	
180	30		AN936-A8									3		29	
180	31		AN520-10-10									4		29	
180	32		AN515-8-8									2		29	
180	33		AN3-33A									1		04-A	
180	34		AN365-1032									1		04-A	
180	35		S-9125-2									1		01-N	
180	36		AN505-4-6									2		29	
180	37		AN960-D4									2		04-A	
180	38		AN365-440									2		04-A	
180	39		AN515-8-16									2		29	
180	40		3532-14									2		29	
180	41		8K107									1		29	
180	42		89F84134									2		29	
												1		01-N	

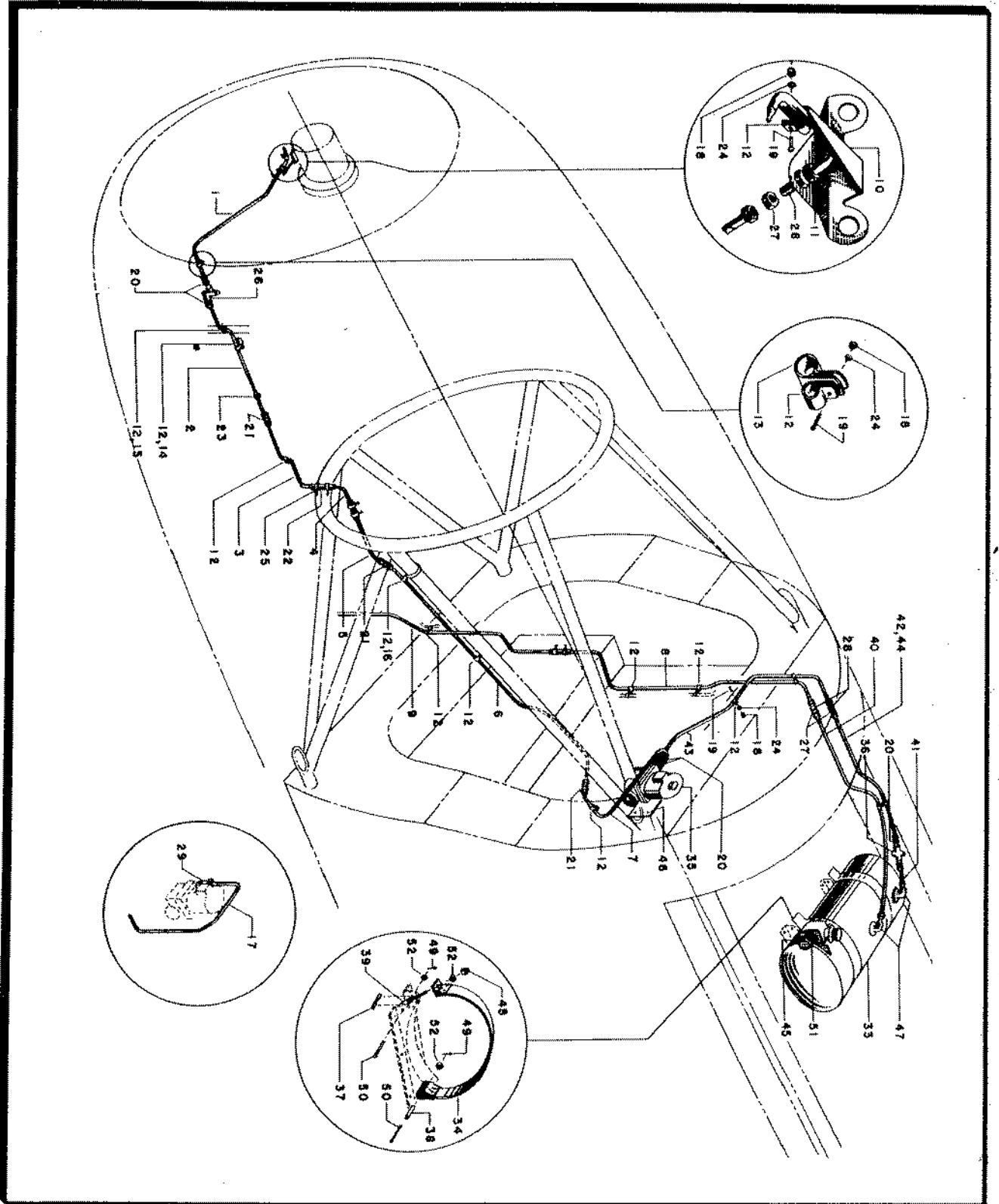


Figure 181—Anti-icing System

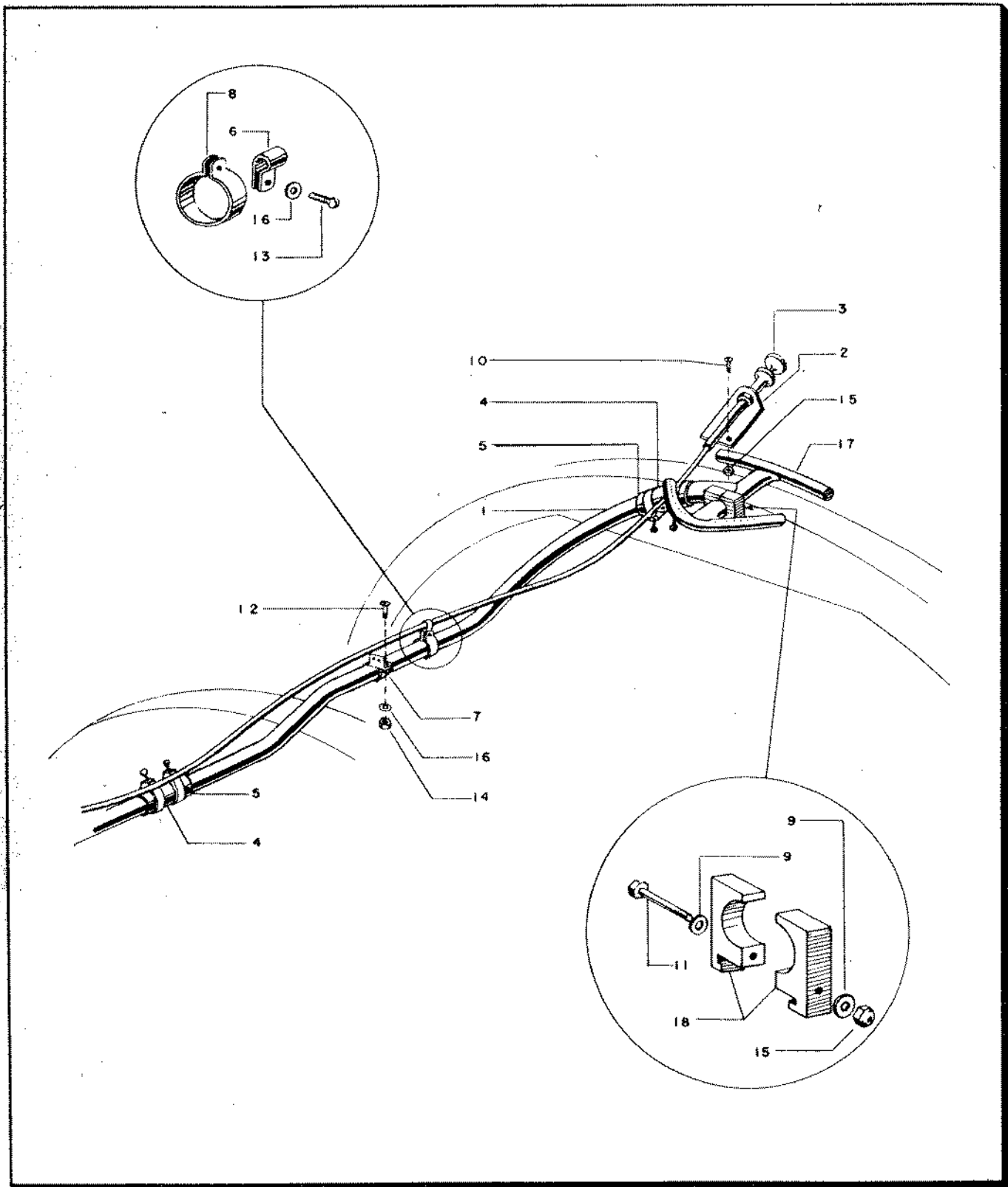


Figure 182—Windshield Defroster

RESTRICTED
AN 01-65BC-4
SECTION II—GROUP ASSEMBLY PARTS LISTS

FIG. NO.	INDEX NO.	S T O C K E D	GROUP		EQUIPMENT							UNITS PER ASSY	PROPERTY CLASSIFICATION			
			MAJOR ASSEMBLY		INSTALLATION - WINDSHIELD DEFROSTER								U.S. NAVY	U.S. ARMY	BRITISH	
			PART NUMBER		1	2	3	4	5	6	NOMENCLATURE					
182			89F84303										1		01-N	
182	1		89F84303-1										1		01-N	
182	2		89F84340										1		01-N	
182	3		89F84338-2										1		01-N	
182	3		89F84338-1										1		01-N	
182	4		89F84206-3										2		01-N	
182	5		89P84341-1										2		01-N	
182	6		S-9795-16										1		01-N	
182	7		S-9795-16-L										1		01-N	
182	8		2982-4										1		04-A	
182	9		AN960-D10										2		04-A	
182	10		525-10-8										1		29	
182	11		AN3-23A										1		04-A	
182	12		AN515-8-10										1		29	
182	13		530-8-8										1		29	
182	14		365-832										1		04-A	
182	15		365-1032										2		04-A	
182	16		AN960-D8										2		04-A	
182	17		89F84331										1		01-N	
182	18		89F84337										1		01-N	

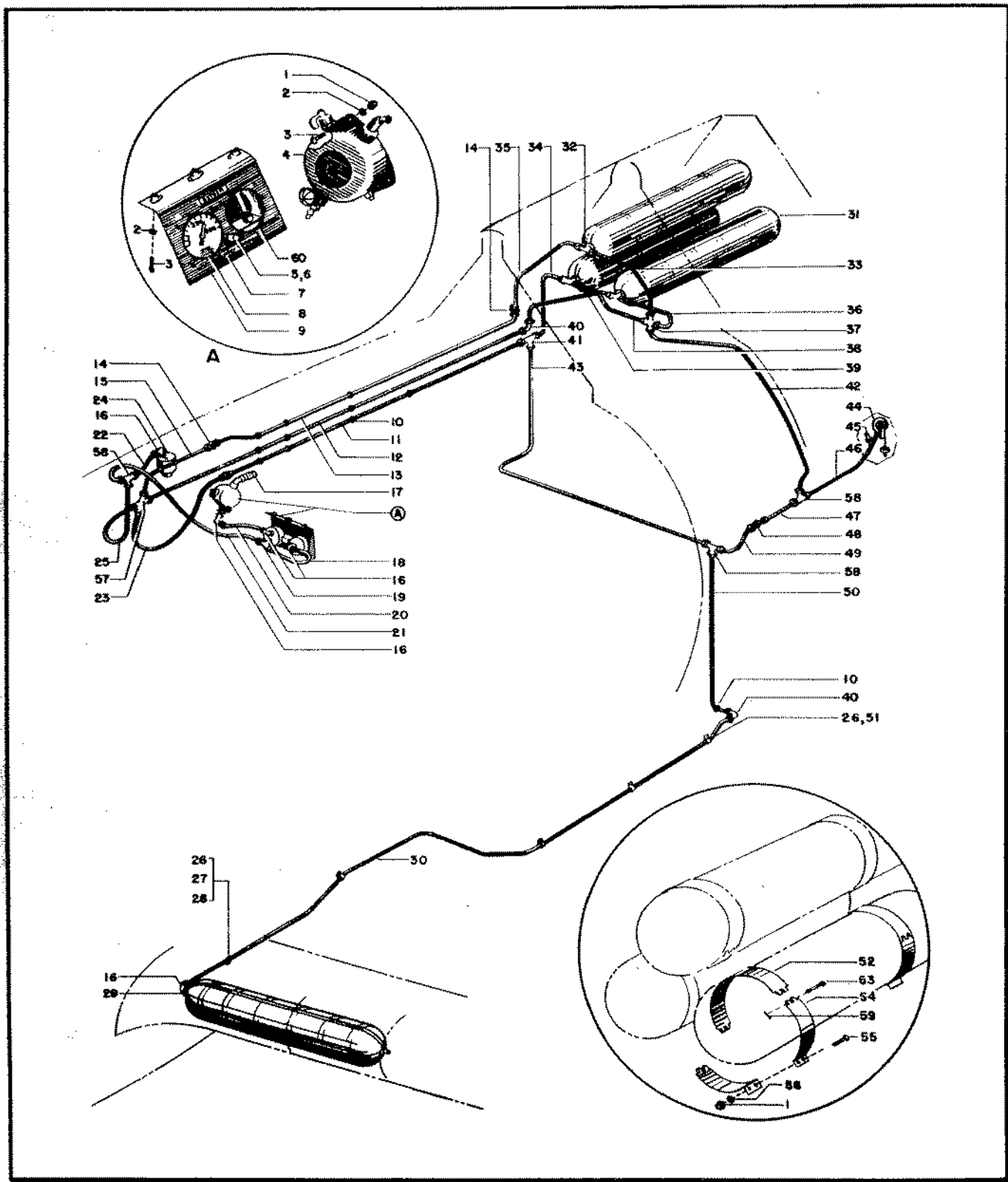


Figure 183—Oxygen Equipment

**NUMERICAL
PARTS LIST**

SECTION III

RESTRICTED

AN 01-65BC-4
SECTION III—NUMERICAL PARTS LIST

PART NUMBER	GROUP LIST PAGE NUMBERS	TOTAL QUANTITY	PART NUMBER	GROUP LIST PAGE NUMBERS	TOTAL QUANTITY	PART NUMBER	GROUP LIST PAGE NUMBERS	TOTAL QUANTITY
A-10F	387	1	1-2341-25-12	177	4	89F11050	17,21,27	As Req.
A-1258	399	1	2E-616C	259	1	89F11050-50	13	1
AT-4	241	1	2F-1-6-661	299	1	89F11050-51	13	1
B-88	225	2	3Q6Q	283	1	89F11050-52	13	1
B-223	131	10	4ATJ-6-6	376	2	89F11051	18,27	1
B-226	129	82	5-ATJ6-6	147,355	20	89F11051-13	18	2
B-10287-7	196	1	6-120	351	4	89F11051-26	18	4
B-10291-2	199	2	6-ATJ6-6	147	4	89F11051-50	13	1
BP-7P	85	4	6-K-45	292,357	15	89F11051-51	13	1
BQ-4Q	137,285	6	8-K107	429	2	89F11051-52	13,18	2
BQ-5Q	137,155	11	10-FNT-D	269	1	89F11052-50	59	1
BQ-6Q	333	1	11-1039-1-3D	295	3	89F11052-51	59	1
BQ-8Q	333	1	11-1039-1-3D	379	2	89F11052-52	59	1
BQ-45	297,299	2	11-1039-1-4D	201	2	89F11052-53	59	1
C-11275	299	1	11-1039-1-14D	269	1	89F11053-1	29	1
D-59356	199	1	12-857	323	1	89F11055-4	29	1
E-1002-3-160	379	1	12-929-50	323	1	89F11056	29	1
E-64024	199	1	12-1109	323	1	89F11057	29	1
FA-5-45	27,129	4	35B1406-3	71,75	144	89F11061	67	1
FA-5-55	129,131	26	35B1406-7	129,131	37	89F11065	18	1
FA-5-60	129,131	9	40-A5554		2	89F11073	17,27	2
FA-5-70	131	1	42-E126	271	2	89F11074	27	1
FB-4A	193,289	38	42-E144	14,271	4	89F11075	27	1
	431	4	42-E164	14	2	89F11079	21,31	2
FB-6A	292	4	89F11001-1	15	1	89F11079-3	31	1
FB-8A	267,291	17	89F11001-52	11,13	2	89F11079-4	31	1
FB-16A	267,293	14	89F11001-53	11,13	2	89F11088-50	55	1
FB-20A	290,293	11	89F11001-54	11,13	2	89F11088-51	55	1
FB-36A	429	4	89F11001-55	11,13	2	89F11093	77	1
FB-44A	429	4	89F11001-56	11,13	2	89F11101-50	21	1
FB-60A	329	2	89F11001-57	11,13	2	89F11101-51	21	1
HA-8045-1	201	2	89F11001-58	11,13	2	89F11102	21	As Req.
K-4A	313,337	9	89F11001-59	11,13	2	89F11102-1	21	1
K-5A	313	2	89F11002	59	1	89F11102-2	21	As Req.
K-6A	313	4	89F11002-52	11	1	89F11103	21	As Req.
K-12A	339	2	89F11002-53	11	1	89F11103-1	21	1
K-21B	337	1	89F11003-1	77	1	89F11103-2	21	1
MR-36A	271	6	89F11003-2	11,77	2	89F11104	21	1
NAF-1131-15	391,393	6	89F11003-3	11,77	2	89F11104-1	21	1
NAF-1131-20	391,393	6	89F11017	21	1	89F11104-2	21	1
NAF-1131-30	391,393	2	89F11017-1	21	1	89F11105	21	As Req.
NAF-1131-40	391,393	3	89F11026	14	2	89F11105-50	21	1
NPAA-4005	299	1	89F11027	14	2	89F11105-52	21	1
O-3732	415	1	89F11029	14	2	89F11106	22	1
P-4CB-1A	292	1	89F11030	67,69	2	89F11107-50	22	1
P-6155R1	73,75	19	89F11031-1	18	1L/1R	89F11108	37	1
PBQ-11T	271	2	89F11031-2	18	1L/1R	89F11108-50	22	1
R-2800-21	271	1	89F11033	29	1	89F11109-50	22	1
RC-35	217	2	89F11034	51	1L	89F11110	22	1
RE-3FL4	137	1	89F11035	51	1	89F11111	22	1
REB-3N	221,285	7	89F11036	49	2	89F11112	22	1
	137	1	89F11039	49	1	89F11113	22	1
TFA-6303	299	1	89F11039-51	47	1	89F11114-12	63	1
TFA-6307	297,299	2	89F11039-52	47	1	89F11115	61	1
TFA-6577	299	1	89F11041-52	49	1L/1R			
TFB-6860	391,393	2	89F11042	49	2			
TFD-6800	299	1	89F11047	29	1			
X-86382	387	1	89F11048	17,29	2			

SECTION III—NUMERICAL PARTS LIST

PART NUMBER	GROUP LIST PAGE NUMBERS	TOTAL QUANTITY	PART NUMBER	GROUP LIST PAGE NUMBERS	TOTAL QUANTITY	PART NUMBER	GROUP LIST PAGE NUMBERS	TOTAL QUANTITY
89F11116	61	1	89F11154-8	61	1	89F11154-66	63	1
89F11117	61	1	89F11154-9	63	1	89F11154-67	63	1
89F11118	61	1	89F11154-10	63	1	89F11154-68	63	1
89F11119	46	1	89F11154-11	61	1	89F11154-69	63	1
89F11120-22	22	1	89F11154-12	61	1	89F11154-70	63	1
89F11120-23	22	1	89F11154-13	61	1	89F11154-71	63	1
89F11120-24	22	1	89F11154-14	61	1	89F11154-72	63	1
89F11120-25	22	1	89F11154-15	61	1	89F11154-73	59	1
89F11121-50	46	1	89F11154-16	61	1	89F11155-1	55	1
89F11121-51	46	1	89F11154-17	61	1	89F11155-2	55	1
89F11122-1	45	1	89F11154-18	61	1	89F11155-8	12, 55	1
89F11122-2	45	1	89F11154-19	61	1	89F11155-9	47, 55	1
89F11123-1	45	1	89F11154-20	61	1	89F11160-52	63	1
89F11124	46	1	89F11154-21	61	1	89F11160-53	63	1
89F11124-29	36	1	89F11154-22	61	1	89F11161	65	1
89F11125-1	45	1	89F11154-25	61	1	89F11161-3	65	1
89F11125-2	45	1	89F11154-26	61	1	89F11161-5	65	1
89F11127-51	46	1	89F11154-27	61	1	89F11161-52	61	1
89F11128-1	45	1	89F11154-28	61	1	89F11162-50	61	1
89F11128-2	45	1	89F11154-29	61	1	89F11162-52	61	1
89F11129-1	45	1	89F11154-30	61	1	89F11165	61	1
89F11129-2	45	1	89F11154-31	61	1	89F11166	53	1
89F11130-1	45	1	89F11154-32	61	1	89F11166-51	47, 53	1
89F11130-2	45	1	89F11154-33	61	1	89F11166-52	47, 53	1
89F11130-3	45	1	89F11154-34	61	1	89F11167	61	1
89F11130-4	45	1	89F11154-35	61	1	89F11168	59	1
89F11131-10	46	1	89F11154-36	61	1	89F11169-1	46	1
89F11132-10	46	1	89F11154-37	62	1	89F11169-2	46	1
89F11132-13	46	1	89F11154-38	62	1	89F11170	37	1
89F11132-14	46	1	89F11154-39	62	1	89F11171-50	23	1
89F11133-50	46	1	89F11154-40	62	1	89F11171-51	23	1
89F11133-52	46	1	89F11154-41	62	1	89F11172-1	33	1
89F11133-53	46	1	89F11154-42	62	1	89F11172-2	33	1
89F11134-7	62	1	89F11154-43	62	1	89F11172-7	33	1
89F11141-50	23	1L-1R	89F11154-44	62	1	89F11172-11	23, 33	1
89F11141-51	23	1L-1R	89F11154-45	62	1	89F11172-12	23	1
89F11141-52	23	1L-1R	89F11154-46	62	1	89F11173	61	1
89F11141-53	23	1L-1R	89F11154-47	62	1	89F11173-2	61	1
89F11141-54	23	1L-1R	89F11154-48	62	1	89F11174	63	1
89F11142	51	1	89F11154-50	59	1	89F11174-1	63	1
89F11142-50	45	1L-1R	89F11154-51	59	1	89F11175	35	1
89F11144	47	2	89F11154-52	59	1	89F11175-1	23, 35	1
89F11145-52	45	1L-1R	89F11154-53	62	1	89F11175-2	35, 46	1
89F11145-53	45	1L-1R	89F11154-54	62	1	89F11175-3	35, 46	1
89F11147-9	36	1	89F11154-55	62	1	89F11175-4	23, 35	1
89F11150	17, 21, 33	1	89F11154-56	62	1	89F11175-5	35, 46	1
89F11152	18, 45	1	89F11154-57	62	1	89F11175-7	23, 35	1
89F11154	61	1	89F11154-58	62	1	89F11175-8	23, 35	1
89F11154-1	61	1	89F11154-59	62	1	89F11175-9	23, 35	1
89F11154-2	61	1	89F11154-60	62	1	89F11175-10	35, 46	1
89F11154-3	61	1	89F11154-61	62	1	89F11175-11	36, 46	1
89F11154-4	61	1	89F11154-62	62	1	89F11176-26	35	1
89F11154-5	61	1	89F11154-63	63	1	89F11176-27	35	1
89F11154-6	61	1	89F11154-64	63	1	89F11177-51	36	1
89F11154-7	61	1	89F11154-65	63	1	89F11177-52	36	1
						89F11177-53	36	1

RESTRICTED
AN 01-65BC-4
SECTION III—NUMERICAL PARTS LIST

JATO PART NUMBER	GROUP LIST PAGE NUMBERS	TOTAL QUANTITY	PART NUMBER	GROUP LIST PAGE NUMBERS	TOTAL QUANTITY	PART NUMBER	GROUP LIST PAGE NUMBERS	TOTAL QUANTITY
89F11178-3	45,55	2	89F11255-1	24	1	89F11474	17,29	1
89F11178-4	45,55	2	89F11255-2	24	1	89F11478	19	1
89F11178-5	46,55	2	89F11256-1	47	1	89F11483	15	2
89F11178-6	46,55	2	89F11256-2	47	1	89F11501	45,57	1
89F11178-7	46,55	2	89F11258-1	47	1	89F11506	55	1
89F11179-13	36	1	89F11258-2	47	1	89F11516	62	1
89F11179-14	36	1	89F11259-1	47	1	89F11517	24	1
89F11181	15	1	89F11259-2	47	1	89F11519	24	1
89F11183	47	1L/1R	89F11261-1	47	1	89F11519-1	24	1
89F11184	23	1	89F11261-2	47	1	89F11521	24	1L/1R
89F11185	17	1	89F11263-1	47	1	89F11522	24	1
89F11186	25	1	89F11263-2	47	1	89F11526	15	1L/1R
89F11187	62	1	89F11264-1	47	1	89F11538	57	2
89F11188	59	1	89F11264-2	47	1	89F11551	24	1
89F11189	23	1	89F11266-1	47	1	89F11554	24	1
89F11189-1	23	1	89F11266-2	47	1	89F11575	46	1
89F11189-2	23	1	89F11267-1	47	1	89F11583-1	15	1
89F11190	35	1	89F11267-2	47	1	89F11592	46	1
89F11191-50	37	1	89F11269-1	47	1	89F11595	17	1L
89F11191-51	36	1	89F11269-2	47	1	89F11596	17	1L/1R
89F11191-52	36	1	89F11269-6	47	1	89F11601-51	17	1L/1R
89F11191-53	36	1	89F11270-1	47	1	89F11602-50	45	1
89F11192-50	37	1	89F11270-2	47	1	89F11602-51	45	1
89F11192-52	37	1	89F11271-1	37	1	89F11602-52	45	1
89F11193-1	35	1	89F11271-2	37	1	89F11603	45	1
89F11193-11	35	1	89F11273	57	1	89F11604	25,45	2L/2R
89F11193-12	35	1	89F11283-3	51	1	89F11611	33	1
89F11194-28	36	1	89F11285	59	1	89F11613	13	1
89F11195-L/R	36	1	89F11287	63	1L/1R	89F11620	15	1
89F11197-L/R	36	1	89F11288	63	1	89F11629	47	1L/1R
89F11201	63	1	89F11306-2	47	10	89F11630	15	1L/1R
89F11203	29	1	89F11328	49	2	89F11634	47	1
89F11209	51	2L/2R	89F11334	51	1	89F11635	47	1
89F11217-1	22	1	89F11354	18	1L	89F11641	38	1L/1R
89F11217-2	22	1	89F11355	17,27	2	89F11642	39	1
89F11220	62	2	89F11355-3	27	1	89F11643	39	1
89F11228	61	1	89F11355-7	27	1	89F11645	25	1
89F11229	61	1L/1R	89F11359	18	1L/1R	89F11645-1	39	1
89F11237-4	55	1	89F11364	15	2	89F11645	39	1
89F11237-5	55	1	89F11383	17	1	89F11648	27	1
89F11237-8	55	1	89F11401	18	2	89F11650	27	1
89F11242-1	55	1	89F11402	18	2	89F11651	17,27	1
89F11242-2	55	1	89F11404	18	2	89F11658	347	2
89F11243-11	55	1	89F11405	19	2	89F11662	13	2
89F11243-12	55	1	89F11406	19	2	89F11663	13	2
89F11243-14	55	1	89F11407	19	1L/1R	89F11666	22	1
89F11243-18	55	1	89F11409-2	45	1	89F11668	55	1
89F11249-1	24	1	89F11409-3	45	1	89F11671	22	1
89F11249-2	24	1	89F11414-L/R	79	1L/1R	89F11694	18	1
89F11249-7	24	1	89F11415	79	1	89F11701-50	37	1
89F11250-1	24	1	89F11416	79	1	89F11701-52	37	1
89F11250-2	24	1	89F11428-2	79	1	89F11708	51	1L
89F11251-1	46	1	89F11428-8-R/L	79	1	89F11709	25	1L/1R
89F11251-2	46	1	89F11429-1	79	1	89F11710	46	1
89F11253-1	47	1	89F11429-2	79	1	89F11711	15	1L/1R
89F11253-2	47	1	89F11430	79	1L/1R	89F11712	25	1
89F11254-1	24	1	89F11453	81,83	1	89F11713-1	62	1L/1R
89F11254-2	24	1	89F11473	29	1	89F11716	27	2
						89F11716-1	17	1

RESTRICTED
AN 01-65BC-4
SECTION III—NUMERICAL PARTS LIST

PART NUMBER	GROUP LIST PAGE NUMBERS	TOTAL QUANTITY	PART NUMBER	GROUP LIST PAGE NUMBERS	TOTAL QUANTITY	PART NUMBER	GROUP LIST PAGE NUMBERS	TOTAL QUANTITY
89F11716-4	59	1	89F11839-5	25	1	89F11915-4	67	1
89F11717-1	27	1	89F11839-6	25	1	89F11916-14	67	1
89F11717-5	27	1	89F11842	41	1	89F11916-15	67	1
89F11719	29	1	89F11850-52	49	2	89F11917	75	1L
89F11725-1	19	1	89F11851-2	49	2	89F11918	71	1
89F11729-1	45	1	89F11853-1	47	1	89F11919	71	1
89F11729-2	45	1	89F11853-2	47	1	89F11920	71	1
89F11740	11	1	89F11854-1	25	1	89F11921	69	1
89F11742	45	1	89F11854-2	25	1	89F11922	71	1
89F11749-1	47	1	89F11855-1	47	1	89F11923	69	1
89F11749-2	47	1	89F11855-2	47	1	89F11924-1	73	1
89F11750	27	1	89F11856-1	25	1	89F11924-8	73	1
89F11750-2	19,27	1	89F11856-2	25	1	89F11925-1	73	1
89F11755	19,27	1	89F11857-1	24	1	89F11925-4	73	1
89F11755-4	27	1	89F11857-2	24	1	89F11926-1	73	1
89F11763	22	1	89F11859	79	2	89F11926-2	73	1
89F11764	51	2	89F11861	79	1	89F11929	69	1
89F11778	41	1L-1R	89F11865	17	1	89F11929-1	69	1L-1R
89F11782	59	1	89F11868	79	1L-1R	89F11930	69	1L-1R
89F11792	57	1	89F11872	77	1	89F11932-1	45	2L
89F11802-1	25	1	89F11873	77	1L-1R	89F11932-2	45	1
89F11802-2	25	1	89F11874	77	1L-1R	89F11933-51	69	1L-1R
89F11803	46	1	89F11875	41	1L-1R	89F11933-52	69	1L-1R
89F11808	81,83	1L-1R	89F11887-10	41	4	89F11938	67	1
89F11810	77,79	1	89F11890	79	1L-1R	89F11939	73	1
89F11810-10	79	1	89F11898	25,43	1	89F11942	67	1
89F11810-17	79	1	89F11902-52	45	1L-1R	89F11942-1	67	1
89F11810-19	79	1	89F11902-53	45	1L-1R	89F11942-2	67	1
89F11810-40	79	1	89F11904-3	71	1	89F11942-19	67	1
89F11810-41	79	1	89F11904-4	71	1	89F11942-20	67	1
89F11811	81,83	1	89F11904-6	71	1	89F11947	43	1
89F11812	77,81	1	89F11904-7	71	1	89F11949	43	1
89F11812-1	81	1	89F11904-8	71	1	89F11951	43	1
89F11812-11	81	1	89F11904-11	71	1	89F11952	43	1
89F11812-12	81	1	89F11904-52	67	1L-1R	89F11960	18	1
89F11813	41	1	89F11904-53	67	1L-1R	89F11961	171	2
89F11817-6	81	1	89F11905-7	73	2	89F11965	25	1
89F11817-7	81	1L-1R	89F11905-8	73	2	89F11970	46	1
89F11817-8	81	1	89F11905-52	67,73	1	89F11970-1	46	1
89F11817-9	81	1	89F11906-5	71	1	89F11970-2	46	1
89F11817-10	81	1	89F11906-6	71	1	89F11970-3	46	1
89F11817-13	81	1	89F11906-7	71	1	89F11978	13	1
89F11817-14	81	1	89F11907-7	73	1	89F11980	22	1
89F11822-1	41	1L-1R	89F11907-8	73	1	89F11983	19	1
89F11824	41	1L-1R	89F11909-2	67	1	89F11984	18	1
89F11828	41	1L-1R	89F11909-3	67	1	89F11987-2	47	2
89F11829	17	1	89F11909-4	67	1	89F11988	47	2
89F11830	41	1	89F11909-5	67	1	89F11989	47	2
89F11830-50	25	1	89F11909-52	67	1	89F11990	47	2
89F11830-51	25	1	89F11910-51	67	1	89F11991	11	1
89F11830-52	25	1	89F11910-52	67	1	89F11992	11	1
89F11834-50	17	1	89F11911-6	67	1			
89F11834-51	17	1	89F11913	67	1L-1R			
89F11834-52	17	1	89F11914	67	1			
89F11839	25	1	89F11915	67	1			

RESTRICTED

AN 01-65BC-4

SECTION III—NUMERICAL PARTS LIST

PART NUMBER	GROUP LIST PAGE NUMBERS	TOTAL QUANTITY	PART NUMBER	GROUP LIST PAGE NUMBERS	TOTAL QUANTITY	PART NUMBER	GROUP LIST PAGE NUMBERS	TOTAL QUANTITY
89F12000-13	14	1	89C22001-14	89	1R	89C22108-11	91	1
89F12006	67,75	1L/1R	89C22002	87,91	1L/1R	89C22108-30	91	1
89F12006-2	75	1	89C22003	87	1L/1R	89C22108-31	91	1
89F12006-13	75	1	89C22003	93	1	89C22108-32	91	1
89F12006-16	75	1	89C22003-1	93	4	89C22108-33	91	1
89F12006-18	67,75	1L/1R	89C22101	93	1L	89C22210	119	1
89F12006-19	75	1R	89C22101-53	93	1L	89C22111	115	1L/1R
89F12007	67	1	89C22101-54	93	1L	89C22111-13	123	1L/1R
89F12007-3	67	1	89C22101-55	93	1L	89C22111-14	123	1L/1R
89F12007-4	67	1	89C22101-56	93	1L	89C22111-15	123	1L/1R
89F12007-12	67	1	89C22102	93,97	1L/1R	89C22111-16	123	1L/1R
89F12007-13	67	1	89C22102-3	97	1L/1R	89C22111-17	123	1L/1R
89F12007-16	67	1	89C22102-4	97	1L/1R	89C22111-18	123	1L/1R
89F12008	67	1	89C22102-5	97	1L/1R	89C22111-19	123	1L/1R
89F12008-5	67	1	89C22102-6	97	1L/1R	89C22111-20	123	1L/1R
89F12009-19	14	1	89C22102-7	97	1L/1R	89C22111-24	123	1L/1R
89F12010	67	1	89C22103	93	1L	89C22111-25	123	1L/1R
89F12010-51	11	1	89C22103-4	97	1L/1R	89C22111-26	123	1L/1R
89F12010-52	11	1	89C22103-5	97	1L/1R	89C22111-27	123	1L/1R
89F12010-53	11	1	89C22104	93	1L	89C22111-28	123	1L/1R
89F12010-55	11	1	89C22104-53	99	1L/1R	89C22111-29	123	1L/1R
89F12030	69	1L/1R	89C22104-54	99	1L/1R	89C22111-30	123	1L/1R
89F12059	51	1L	89C22104-55	99	1L/1R	89C22111-31	123	1L/1R
89F12066	59	1	89C22104-56	99	1L/1R	89C22111-32	123	1L/1R
89F12066-1	59	1	89C22105-13	101	1L/1R	89C22111-33	123	1L/1R
89F12070	51	2L/2R	89C22105-14	101	1L/1R	89C22111-34	123	1L/1R
89F12071	14	1	89C22105-15	101	1L/1R	89C22111-35	123	1L/1R
89F12078	13	1L/1R	89C22105-16	101	1L/1R	89C22111-52	121	1L/1R
89F12081-2	18	1L/1R	89C22105-17	101	1L/1R	89C22112	99,105	1L/1R
89F12082-2	19	1L/1R	89C22105-18	101	1L/1R	89C22112-5	105	1L
89F12083-2	19	1L/1R	89C22105-19	101	1L/1R	89C22112-6	105	1
89F12088	75	1R	89C22105-20	101	1L/1R	89C22112-7	105	1L
89F12094	25	1	89C22105-21	101	1L/1R	89C22112-8	105	1L
89F12095	15	1	89C22105-22	101	1L/1R	89C22112-10	105	1
89F12097	67	1L/1R	89C22105-35	101	1L/1R	89C22112-11	105	1
89F12098	67	1	89C22105-40	101	1L/1R	89C22112-12	105	1
89F12101-51	21	1	89C22105-53	99,101	1L/1R	89C22112-14	105	1
89F12101-52	21	1	89C22105-54	101,99	1L/1R	89C22112-15	105	1L
89F12101-53	21	1L/1R	89C22107	115	1L/1R	89C22112-16	105	1
89F12101-54	21	1L/1R	89C22107-9	115	1L/1R	89C22112-17	105	1L
89F12121-32	47	1	89C22107-13	115	1	89C22112-19	105	1
89F12160	143	1	89C22107-50	93	1L	89C22112-20	105	1
89F12162	14,15	4	89C22107-51	93	1L	89C22112-21	105	1L
89W21000-52	9	1	89C22107-53	93	1L	89C22112-22	105	1L
89W21000-53	9	1	89C22107-54	93	1L	89C22112-23	105	1L
89W21000-54	9	1	89C22108	91	1	89C22112-24	105	1L
89W21000-55	9	1	89C22108-1	91	1	89C22112-25	105	1L
89C22000	85,87	1L	89C22108-2	91	1	89C22112-26	105	1L
89C22001	87,89	1L/1R	89C22108-3	91	1	89C22112-27	105	1L
89C22001-1	89	1	89C22108-4	91	1	89C22112-28	105	1L
89C22001-3	89	1	89C22108-5	91	1	89C22112-29	105	1L
89C22001-4	89	1	89C22108-6	91	1			
89C22001-5	89	1L/1R	89C22108-7	91	1			
89C22001-6	89	1L	89C22108-8	91	1			
89C22001-7	89	2L	89C22108-9	91	1			
89C22001-8	89		89C22108-10	91	1			

RESTRICTED
AN 01-65BC-4
SECTION III—NUMERICAL PARTS LIST

PART NUMBER	GROUP LIST PAGE NUMBERS	TOTAL QUANTITY	PART NUMBER	GROUP LIST PAGE NUMBERS	TOTAL QUANTITY	PART NUMBER	GROUP LIST PAGE NUMBERS	TOTAL QUANTITY
89C22112-30	105	1L	89C22113-31	109	1L-1R	89C22128	94	1L
89C22112-31	105	1	89C22113-32	109	1L-1R	89C22129	99	1L-1R
89C22112-32	105	1	89C22113-33	109	1L-1R	89C22130	101	1L-1R
89C22112-33	105	1	89C22113-34	109	1L-1R	89C22131	115	1L
89C22112-34	105	1L	89C22113-35	109	1	89C22133	93	1L
89C22112-35	105	1	89C22113-36	109	1L-1R	89C22134	99	1L-1R
89C22112-36	105	1	89C22113-37	109	1	89C22135-53	101	1L-1R
89C22112-37	105	1	89C22113-38	109	1	89C22135-54	101	1L-1R
89C22112-38	106	1L	89C22113-39	109	1L-1R	89C22136	115	1L-1R
89C22112-39	106	1L	89C22113-40	109	1L-1R	89C22137	93	1L
89C22112-40	106	1L	89C22113-41	109	1L-1R	89C22138	99	1L-1R
89C22112-41	106	1L	89C22113-44	109	1L-1R	89C22139	101	1L-1R
89C22112-42	106	1L	89C22113-54	109	1L-1R	89C22140	115	1L-1R
89C22112-43	106	1L	89C22113-53	109	1L-1R	89C22141	93	1L
89C22112-44	106	1	89C22114	103, 113	1	89C22142	93	1L
89C22112-45	106	1L	89C22114-4	113	1L	89C22143	99	1L-1R
89C22112-46	106	1	89C22114-6	113	1L	89C22144	101	1L-1R
89C22112-47	106	1	89C22114-7	113	1	89C22144-1	101	1L
89C22112-48	106	1	89C22114-8	113	1	89C22145	101	1L-1R
89C22112-49	106	1	89C22114-10	113	1	89C22145-1	101	1L
89C22112-50	106	1L	89C22114-11	113	1	89C22146	115	1L-1R
89C22112-51	106	1	89C22114-12	113	1	89C22147	93	1L
89C22112-52	106	1	89C22114-13	113	1L	89C22148	94	1L
89C22112-53	106	1	89C22114-16	113	1L	89C22149	99	1L-1R
89C22112-56	106	1	89C22114-17	113	1L	89C22150	101	1L-1R
89C22112-58	106	1	89C22114-18	113	1L	89C22151	115	1L-1R
89C22112-59	106	1L	89C22114-19	113	1L	89C22152	101	1L-1R
89C22113	101	1L-1R	89C22114-20	113	1L	89C22153	115	1L-1R
89C22113-1	109	1L-1R	89C22114-21	113	1L	89C22154	94	1L
89C22113-2	109	1L-1R	89C22114-23	113	1L	89C22155	99	1L-1R
89C22113-4	109	1L-1R	89C22114-24	113	1L	89C22156	101	1L-1R
89C22113-5	109	1L-1R	89C22114-25	113	1L	89C22157-50	127	1L
89C22113-6	109	1L-1R	89C22114-26	113	1L	89C22157-51	127	1L
89C22113-7	109	1L-1R	89C22114-27	113	1L	89C22157-52	127	1L
89C22113-8	109	1L-1R	89C22114-28	113	1L	89C22159-50	127	1L
89C22113-9	109	1L-1R	89C22114-29	113	1L	89C22159-51	127	1L
89C22113-11	109	1L-1R	89C22114-31	113	1L	89C22159-52	127	1L
89C22113-12	109	1L-1R	89C22115	93, 125	1L-1R	89C22160	99	1L-1R
89C22113-13	109	1L-1R	89C22116	101, 111	1	89C22161	101	1L-1R
89C22113-14	109	1L-1R	89C22116-7	111	1	89C22161-1	101	1L
89C22113-16	109	1L-1R	89C22116-8	111	1	89C22162-50	127	1L
89C22113-17	109	1L-1R	89C22116-9	111	1	89C22162-51	127	1L
89C22113-18	109	1L-1R	89C22117	87, 129	1L-1R	89C22162-52	127	1L
89C22113-19	109	1L-1R	89C22117-20	129	1L	89C22164	94	1L
89C22113-20	109	1L-1R	89C22118	87, 117	1	89C22165	99	1L-1R
89C22113-21	109	1L-1R		131		89C22166	101	1L-1R
89C22113-22	109	1L-1R	89C22119	95	1L	89C22167	115	1L-1R
89C22113-23	109	1L-1R	89C22120	115	1R	89C22168	94	1L
89C22113-24	109	1L-1R	89C22121	93	1L	89C22169	99	1L-1R
89C22113-25	109	1L-1R	89C22122-53	99	1L-1R	89C22170	115	1L-1R
89C22113-26	109	1L-1R	89C22122-54	99	1L-1R	89C22171	94	1L
89C22113-27	109	1L-1R	89C22123	101	1L-1R	89C22172	99	1L-1R
89C22113-28	109	1L-1R	89C22124	101	1	89C22173	115	1L-1R
89C22113-29	109	1L-1R	89C22125-3	101	1L	89C22174	94	1L
89C22113-30	109	1L-1R	89C22126	115	1R	89C22175	99	1L-1R
			89C22127	93	1L			

RESTRICTED
AN 01-65BC-4
SECTION III—NUMERICAL PARTS LIST

PART NUMBER	GROUP LIST PAGE NUMBERS	TOTAL QUANTITY	PART NUMBER	GROUP LIST PAGE NUMBERS	TOTAL QUANTITY	PART NUMBER	GROUP LIST PAGE NUMBERS	TOTAL QUANTITY
89C22176		1L-1R	89C22217-5	89	1	89C22300-1	129	1
89C22177	94	1L	89C22217-6	89	1	89C22300-2	129	1
89C22178	99	1L-1R	89C22217-8	89	1	89C22300-3	129	1L
89C22179	115	1L-1R	89C22217-9	89	1	89C22300-5	131	1
89C22180	94	1L	89C22217-37	89	1	89C22300-6	131	1L
89C22181	99	1L-1R	89C22217-48	89	1	89C22304	111	5
89C22182	115	1L-1R	89C22218	116	1R	89C22305	111	3
89C22183	94	1L	89C22218-1	117	1	89C22306	111	3
89C22184-53	99	1L-1R	89C22222	122	1L-1R	89C22307	111	3
89C22184-54	99	1L-1R	89C22244-2	87	3L-3R	89C22308	111	1
89C22185		1L-1R	89C22244-3	87	2L-2R	89C22309	101	1L-1R
89C22186	94	1L	89C22246-1	123	1L-1R	89C22310	101	1R
89C22187	99	1L-1R	89C22246-2	123	1L-1R	89C22311	101	1R
89C22188	115	1L-1R	89C22246-3	123	1L-1R	89C22312-1	94	4
89C22189	94	1L	89C22247-2	87	4	89C22312-2	94	4
89C22190	99	1L-1R	89C22247-3	87	3	89C22314	111	1
89C22191	115	1L-1R	89C22249	87	1L-1R	89C22315	122	1L-1R
89C22192	94	1L	89C22250	99	1	89C22317	107	1L
89C22194	94	1L	89C22253	99	1L-1R	89C22318	107	1L
89C22195-1	103	1L	89C22254	123	1L-1R	89C22319	125	1L
89C22195-2	103	1L	89C22255	123	1L-1R	89C22320	119	2
89C22195-3	103	1L	89C22256	123	1L-1R	89C22321	122	1L-1R
89C22195-4	103	1L	89C22257-1	123	1L-1R	89C22322	131	3
89C22195-5	103	1L	89C22257-2	123	1L-1R	89C22323	107	1L
89C22195-6	103	1	89C22257-3	123	1L-1R	89C22324	107	1L
89C22195-7	103	1L	89C22257-4	123	1L-1R	89C22326	122	1L-1R
89C22195-8	103	1L	89C22257-5	123	1L-1R	89C22327	122	1L-1R
89C22195-9	103	1L	89C22257-6	123	1L-1R	89C22328	101	1
89C22195-10	103	1L	89C22259	123, 131	1	89C22329	123	1
89C22195-11	103	1L	89C22264	119	3	89C22330	123	1L
89C22195-12	103	1L	89C22264-2	119	1	89C22335	123	2
89C22195-13	103	1L	89C22264-3	119	1	89C22336-1	111	1
89C22195-14	103	1L	89C22268	106	1L	89C22336-2	111	1
89C22196	101	1L-1R	89C22269	106	1L	89C22336-3	111	1
89C22196-1	101	1L-1R	89C22270	89	1L-1R	89C22337	99	1L-1R
89C22197	101	1L-1R	89C22270-2	89	1L-1R	89C22339	119	1
89C22197-1	101	1L	89C22270-3	89	1L-1R	89C22342	125	1L
89C22198	115	1L-1R	89C22270-4	89	1L-1R	89C22343-1	119	9L
89C22199	99	1L-1R	89C22271	89	1L-1R	89C22343-2	119	1R
89C22200	89	1	89C22272-1	122	1L-1R	89C22343-7	119	1R
89C22201	116	1L-1R	89C22272-2	122	1L-1R	89C22349	185	1
89C22202	113	1L	89C22273-2	122	1	89C22351	106	1L
89C22203	123	1	89C22274-2	122	2	89C22352	95	2
89C22207	89	2	89C22275-2	122	1	89C22353	123	1
89C22209	89	1	89C22276	122	1L-1R	89C22354	125	1L
89C22211	94	1L	89C22277	106	1L	89C22355	125	1L
89C22212	94	1L	89C22279	106	1L	89C22357	122	1L-1R
89C22210	116	1L-1R	89C22280	106	1L	89C22358	107	1L
89C22214	116	1L-1R	89C22283	107	1L	89C22359	107	1L
89C22215	89	1L-1R	89C22293	101	1L-1R	89C22361	122	1L-1R
89C22216	87	1L-1R	89C22295	94	1L	89C22362	122	1L-1R
89C22217-1	89	1	89C22296	94	1L	89C22363	107	1L
89C22217-2	89	1	89C22299	97	1	89C22364	107	1L
89C22217-3	89	1	89C22299-2	97	1	89C22370-1	106	1L
89C22217-4	89	1	89C22299-3	87, 97	1	89C22370-2	106	1L

89C22282 Chip Cond. 01-65BC-4

RESTRICTED
AN 01-65BC-4
SECTION III—NUMERICAL PARTS LIST

PART NUMBER	GROUP LIST PAGE NUMBERS	TOTAL QUANTITY	PART NUMBER	GROUP LIST PAGE NUMBERS	TOTAL QUANTITY	PART NUMBER	GROUP LIST PAGE NUMBERS	TOTAL QUANTITY
89C22371-1	119	1	89C22466	116	1L-1R	89C22654-1	91	1
89C22371-2	119	1	89C22467	116	1L-1R	89C22654-2	91	1
89C22371-3	119	1	89C22468	116	1L-1R	89C22654-4	380	1
89C22373	131	3	89C22469	116	1L-1R	89C22655	91	1
89C22377-10	129	4	89C22470	116	1L-1R	89C22656	89	1L-1R
89C22377-11	129	2	89C22471	116	1L-1R	89C22750	106	2
89C22382	106	1L	89C22493	87	3	89C22751	113	1L
89C22383	106	1L	89C22499-1	101	1	89C22752	85	1
89C22384	122	1L-1R	89C22499-2	101	1	89C22752-1	85	1
89C22385-1	122	1L-1R	89C22506	125	1L	89C22753	85	1
89C22385-2	122	1L-1R	89C22513	117	1L-1R	89C22755	85	1
89C22385-3	122	1L-1R	89C22518	351	1L	89C22756	85	1
89C22385-4	122	1L-1R	89C22519	115	1L-1R	89C22807	85	1
89C22386	122	1L-1R	89C22519-4	129	1L	89C22849	95	1
89C22387-1	125	1L	89C22520	115	1L-1R	89C22890	125	1L
89C22387-2	125	1L	89C22521	91	1	89C22901	127	2L
89C22390	106	1L	89C22522	119	1L	89C22902	127	1L
89C22391	85	2	89C22525	87	1	89C22903	127	1L
89C22392	85	2	89C22528	91	1	89C22906	127	1L
89C22393	85	2	89C22529	91	1	89C22907	87	1L-1R
89C22394	85	2	89C22530	89	1L-1R	89C22917	94, 127	1L
89C22395	85	2	89C22531	103	1	89C22918	99	1L-1R
89C22396	85	2	89C22532	103	1	89C22919	87	1L-1R
89C22397-14	101	1	89C22533	103	1	89C22980	129	1L
89C22397-15	101	1	89C22534	103	1L	89T24000	85, 133	1L
89C22399-1	125	1L	89C22535	103	1	89C24000-3	133	1
89C22399-2	125	1L	89C22536	103	1	89T24101	133	1L
89C22400	131	1	89C22538	103	1L	89T24102	133	1L
89C22408-2	129	1	89C22539	103	1L	89T24103	133	1L
89C22408-3	87	1	89C22540	103	1L	89T24104	133	1L
89C22411	121, 123	2	89C22541	116	1L-1R	89T24105	133	1L
89C22417-1	131	2	89C22542-1	117	1L	89T24106	133	1L
89C22417-2	131	2L	89C22542-2	116	1R	89T24107	133	1L
89C22417-3	131	2L	89C22542-3	116	1R	89T24112	133	1L
89C22419-1	129	1	89C22543-1	117	1L	89D25000	85, 135	1L-1R
89C22419-2	129	1L	89C22543-2	116	1R	89D25101	135	1L
89C22419-3	129	1	89C22543-3	116	1R	89D25102	135	1L
89C22420-1	131	1	89C22544	116	1L	89D25103	135	1L
89C22420-2	131	1	89C22545	116	1L-1R	89D25104	135	1
89C22424	131	1L	89C22546	116	1	89D25105	135	1
89C22432-1	119	11	89C22550	117	1L	89D25106	135	1
89C22432-2	119	1	89C22551	122	1L-1R	89D25109	135	1L
89C22433	119	12	89C22552	122	1L-1R	89D25111	135	1L-1R
89C22435	129	1	89C22553	117	1R	89D25112	135	1L
89C22436	95	1L	89C22554	123	1L	89D25113	135	1L
89C22445	87	1	89C22555	123	1L	89D25114	135	1L
89C22447	119	2	89C22559	116	1	89D25115	135	1L
89C22460	122	1L-1R	89C22560	116	1	89D25118-14	135	1L
89C22461	116	1L-1R	89C22563	111	1	89D25118-15	135	1L
89C22462-1	117	1L-1R	89C22566	111	1	89D25118-16	135	1L
89C22462-2	116	1R	89C22567	111	1	89D25118-17	135	1L
89C22462-3	116	1R	89C22575	87	1L-1R	89D25118-18	135	1L
89C22463	116	1L	89C22576	87	1L-1R	89D25118-19	135	1L
89C22464	116	1L-1R	89C22650-3	122	1	89D25118-20	135	1L
89C22465	116	1L-1R	89C22652	89	1L-1R	89D25118-21	135	1L

RESTRICTED
AN 01-65BC-4
SECTION III—NUMERICAL PARTS LIST

PART NUMBER	GROUP LIST PAGE NUMBERS	TOTAL QUANTITY	PART NUMBER	GROUP LIST PAGE NUMBERS	TOTAL QUANTITY	PART NUMBER	GROUP LIST PAGE NUMBERS	TOTAL QUANTITY
89D25118-22	135	1L	89A26105-13	139	1L-1R	89X27108-2	143	1
89D25118-23	135	1L	89A26105-14	139	1L-1R	89X27109-1	143	1
89D25118-24	135	1L	89A26105-15	139	1L-1R	89X27300	143	1
89D25118-25	135	1L	89A26105-16	139	1L-1R	89X27300-1	143	1
89D25119	135	1	89A26105-17	139	1L-1R	89X27300-2	143	1
89D25120	135	1L	89A26106	139	1L-1R	89X27300-3	143	1
89D25120-3	135	1L	89A26106-1	139	1L-1R	89X27300-4	143	1
89D25120-4	135	1L	89A26106-2	139	1L-1R	89X27300-5	143	1
89D25120-6	135	1L	89A26106-3	139	1L-1R	89X27300-6	143	1
89D25120-7	135	1L	89A26106-4	139	1L-1R	89X27300-52	143	1
89D25120-8	135	1L	89A26106-5	139	1L-1R	89X27300-53	9	1
89D25131	135	1L	89A26106-6	139	1L-1R	89X27300-54	9	1
89D25132	135	1L	89A26106-7	139	1L-1R	89X31000-2	9	1
89D25135-1	135	1L	89A26106-8	139	1L-1R	89X31000-3	9	1
89D25135-2	135	1L	89A26106-9	139	1L-1R	89X31000-4	9	1
89D25135-3	135	1L	89A26106-10	139	1L-1R	89F31101-1	145	1
89D25135-4	135	1L	89A26106-11	139	1L-1R	89F31101-2	145	1
89D25135-5	135	1L	89A26106-12	139	1L-1R	89F31103	145	1
89D25135-6	135	1L	89A26106-13	139	1L-1R	89F31104	145	1
89D25135-7	135	1L	89A26106-14	139	1L-1R	89F31105	145	1
89D25135-8	135	1L	89A26106-15	139	1L-1R	89F31106-2	145	1
89D25500	137, 85	1L	89A26106-16	139	1L-1R	89F31106-3	145	1
89D25502	137	1L	89A26106-17	139	1L-1R	89F31109-1	145	1
89D25503	137	1L	89A26110	139	1	89F31109-2	145	1
89D25504	137	1L	89A26111	139	1L-1R	89F31109-3	145	1
89D25505	137	1L	89A26116	139	1	89X32000	147	1
89D25507	137	1L	89A26120	139	1	89C32101	147, 149	1
89D25508	137	1L	89A26120-1	139	1L	89F32102	147	1
89D25511	137	6	89A26120-2	139	1L	89C32103	147, 149	1
89D25522	137	1	89A26120-3	139	1R	89C32103-1	149	1
89D25523-1	137	1	89A26122	139	1	89C32103-2	149	1
89D25523-2	137	1L	89A26124	139	1	89C32104	149	1
89D25523-3	137	1	89A26125	139	1L-1R	89C32105	149	1
89D25523-4	137	1	89A26126	139	1	89C32106	149	1
89D25523-5	137	1	89A26127	85	1L	89F32108	147, 151	2
89A26000	85	1L	89A26131	139	1	89F32108-1	151	1
89A26000-11	139	1	89A26133	85	1L	89F32109	147, 151	2
89A26000-51	139	1L	89A26137	85	1L	89F32109-1	151	1
89A26000-52	139	1L	89A26139	85	1	89C32110	147	1
89A26001	139	1	89A26140	85	1	89C32110-1	149	1
89A26100	139	1	89A26141	141	1	89X33000-2	153	1
89A26104	139	1	89A26901	139, 143	1	89F33101	153	1
89A26105	139	1L	89A26901-1	141	1	89F33102-2	153	1
89A26105-1	139	1L-1R	89A26901-2	141	1	89F33103	154	1
89A26105-2	139	1L-1R	89A26908	85	1	89F33104	153	1
89A26105-3	139	1L-1R	89A26909-2	85	1	89F33108	153	1
89A26105-4	139	1L-1R	89A26909-1	85	1	89F33117	153, 154	1
89A26105-5	139	1L-1R	89A26911	141	1		155	
89A26105-6	139	1L-1R	89A26912	141	1	8933117-1	155	2
89A26105-7	139	1L-1R	89A26915	141	1	89F33120	154	1
89A26105-8	139	1L-1R	89A26916	141	1	89X34000	157	1
89A26105-9	139	1L-1R	89X27101	143	1	89F34101	157, 159	1
89A26105-10	139	1L-1R	89X27102	143	1	89F34101-10	157, 159	1
89A26105-11	139	1L-1R	89X27106	143	1	89C34102	158	1
89A26105-12	139	1L-1R	89X27107	143	1	89F34103	157	1
						89F34104	159	1

RESTRICTED
AN 01-65BC-4
SECTION III—NUMERICAL PARTS LIST

PART NUMBER	GROUP LIST PAGE NUMBERS	TOTAL QUANTITY	PART NUMBER	GROUP LIST PAGE NUMBERS	TOTAL QUANTITY	PART NUMBER	GROUP LIST PAGE NUMBERS	TOTAL QUANTITY
89F34108	159	1	89F36197	165,167	1	89F37135	171	1
89F34108-10	159	1	89F36198	165,167	1	89F37139	173	1
89F34109	157	2	89F36201	165,167	5	89F37141-2	169	2
89F34113	157	1	89F36202	165,167	1	89F37147	169	2
89F34113-1	157	1	89F36205	165,167	1	89F37148	169	1
93F34117	157	1	89F36207	165	1	89F37149	169	2
89F34118	157	1	89F36209-2	165	1	89F37150	169	1
89F34119	157	1	89F36209-3	165	1	89F37151	169	2
89F34120	157	1	89F36210	165	1	89F37153	169	1
89F34121	157	1	89F36212	161	1	89F38103	175	AS REQ
89F34122	157	1	89F36213	163	1	89C38104	177	1
89F34123	157	1	89F36216	165	1	89C38104-1	178	2
89F34124	157	1	89F36217	165	1	89P38106	193	1
89F34125	157	1L-1R	89F36219-1	165	1	89P38106-1	193	1
89F34126	157	1	89F36219-2	165	1	89F38111	195	1
89X36101	161	1	89F36219-3	165	1	89L38132	201	1
89X36110	163	1	89F36221	165	1	89C38180	177,181	1
89X36111	163	1	89F36222	165	1	89C38181	181,185	1
89F36116	163	1	89F36223	163	1	89C38183	181	1
89C36118	161	1	89F36224	163	1	89C38184	181	1
89F36132	163	1	89F36225	163	1	89F38187	181	1
89F36143	161	1	89F36226	163	1	89C38188	181	1
89F36143-1	161	1	89F36227	163	1	89C38190	181	1
89C36144	161	1	89F36228	163	1	89C38192	181,185	1
89X36147	163	1	89F36229	163	1	89F38196	181	1
89X36149	163	2	89F36230	163	1	89F38199	185	1
89X36150	163	1	89F36230-1	163	1	89C38200	178,183	1
89F36159	165,167	1	89F36230-2	163	1	89C38201	183	1
89F36171	165	1	89F36230-3	163	1	89C38202	183	1
89F36174	165	2	89F36231	163	1	89S38203	183	1
89F36176	165	1	89F36232	165	1	89C38204	183	1
89F36177	165	2	89F36240-1	163	1	89C38209	183	1
89F36179	165,167	2	89F36240-2	163	1	89C38210	185	1
89F36179-1	167	1	89F36240-3	163	1	89C38211	183	1
89F36180	165	2	89F37102	171	AS REQ.	89C38212	183	1
89F36181	165	1	89F37103	171	AS REQ.	89C38214	183	1
89F36182	167	1	89F37107	173	1L-1R	89C38216	179,183	1
89F36183	167	1	89F37111	169,173	1	89C38217	183	1
89F36184	165,167	1	89F37112	173	1L-1R	89C38219	183	1
89F36185	167	1	89F37113-1	173	1	89C38221	183	1
89F36186	165	1	89F37113-2	173	1	89C38224	179,187	1
89F36187	167	1	89F37114	173	1	89C38225	187	1
89F36188-1	165,167	2	89F37115	173	1L-1R	89C38228	187	1
89F36188-2	167	1	89F37116	173	1	89C38232	187	1
89F36188-3	165,167	1	89F37117	173	1L-1R	89S38233	187	1
89F36189	165,167	1	89F37120	171	AS REQ.	89L38249	201	1
89X36190	165	1	89F37121	173	1L-1R	89F38250	181	1
89F36190-1	165	2	89F37124	173	1	89F38251	181	1
89F36190-2	165	1	89F37126	173	1	89C38261	177	2
89F36191	167	1	89F37127-1	173	2	89C38292	178	1
89F36193	167	1	89F37127-2	173	1	89F38300	189	1
89F36194	165,167	1	89F37127-3	173	3	89P38303	193	1
89F36195	167	1	89F37129-1	173	1	89P38303-1	193	1
89F36196	167	1	89F37129-2	173	1	89P38307	185	1
			89F37134	171	1			

RESTRICTED
AN 01-65BC-4
SECTION III—NUMERICAL PARTS LIST

PART NUMBER	GROUP LIST PAGE NUMBERS	TOTAL QUANTITY	PART NUMBER	GROUP LIST PAGE NUMBERS	TOTAL QUANTITY	PART NUMBER	GROUP LIST PAGE NUMBERS	TOTAL QUANTITY
89C38309	185	1	89L39105-2	201	1	89L41200-1	217	2
89F38328	189	1	89L39106	201	1	89L41200-2	217	2
89C38329	177	1	89L39106-1	201	1	89L41200-3	217	2
89F38331	189	1	89L39106-2	201	1	89L41200-4	217	2
89F38333	189	2	89F39115	203	1	89L41201	217	1
89F38334	189	1	89F39116	203	1	89L41202	217	4
89F38338	193	1	89F39116-1	203	1	89L41203	215	1
89F38343	191	2	89F39116-2	203	2	89L41209	215	1
89C38346	178, 201	3	89F39117	203	2	89L41211	215	4
89C38347	183	1	89F39117-1	203	1	89L41213	215	1
89C38366	185	1	89F39119	203	1	89L41214	215	1
89F38368	189	1	89F39121	203	1	89L41217	215	1
89F38369	189	1	89F39121-1	203	1	89L41220	217	1
89F38370	189	1	89F39123	203	1	89L41222	217	1L-1R
89F38371-1	189	1	89F39125	203	1	89L41226-1	217	1
89F38371-2	189	1	89F39126	203	2	89L41226-2	217	1
89F38372	189	2	89L39130	201	1	89L41227	215	1
89F38375	55	1	89L39131	201	1	89L41228	205	1
89F38376	191	1	89L41000-2	9, 205	1L-1R	89L41234	217	1
89F38377	191	2	89L41000-3	9	1	89L41235	217	1
89F38378	191	2	89L41001	205, 207	1	89L41241	217	8
89F38379	191	1	89L41004	205	1L	89L41248-1	215	1
89F38380	191	2	89L41101	205	1	89L41248-2	215	As Req.
89F38381	191	1	89L41102	205	As Req.	89L41248-3	215	As Req.
89F38382	191	1	89L41103	205	1	89L41248-4	215	As Req.
89F38383	191	2	89L44105	213	1	89L41251	205	1L
89F38384	191	3	89L41107	213	1	89L41252	207	As Req.
89F38385	191	1	89L41114	213	1	89L41286	207	1
89F38387	191	1	89L41115	213	1	89L41290	207	2
89F38388	191	1	89L41116	205, 213	1	89M42000-1	225	1
89F38390	191	1	89L41117	213	2	89M42000-3	9, 219	1
89F38391	191	1	89L41118	213	2	89M42102	227	1
89C38401	178	2	89L41122	207	1L	89M42109-3	225	2
89F38402	195	1	89L41123	205, 215	1L-1R	89M42113	219	1
89F38405	197	1	89L41124	207	1	89M42114	219	1
89F38409	191	1	89L41137	207	1	89M42115-2	225	4
89F38410	191, 197	1	89L41143	207	1	89M42117	227	1
89C38427	177	4	89L41145	207	1L	89M42119	227	1
89F38434	195	1	89L41146	207	1L	89M42129	227	1
89F38438	189	1	89L41147	207	1L	89M42131	227	1
89F38439	189	1	89L41148	207	1L	89M42132	227	1
89F38440	189	1	89L41149	205	1	89M42133	227	2
89F38441	189	1	89L41150	215	1	89M42134-1	227	2
89F38450	193	1	89L41151	215	1	89M42135	227	1
89F38451	195	1	89L41155	205	1	89M42138	227	2
89F38458	199	1	89L41158	207	1	89M42145	219, 221	1
89F38458-1	199	1	89L41159	207	1	89M42145-1	221	1
89X39000	9	1	89L41160	205, 217	1L	89M42145-2	221	1
89X39101	201	1	89L41160-1	217	16	89M42146	62	1
89L39102	201	1	89L41160-2	217	2	89M42148	221	1
89L39102	201	1	89L41161	217	1	89M42149	221	1
89C39103	201	1	89L41164	217	1L-1R	89M42150	221	1
89L39104	201	1	89L41180	217	2	89M42152	221	1
89L39105	201	1	89L41181	207	2	89M42156	62	1
89L39105-1	201	1	89L41198	217	2	89M42157	221	1
						89M42162	225	1L-1R

RESTRICTED
AN 01-65BC-4
SECTION III—NUMERICAL PARTS LIST

PART NUMBER	GROUP LIST PAGE NUMBERS	TOTAL QUANTITY	PART NUMBER	GROUP LIST PAGE NUMBERS	TOTAL QUANTITY	PART NUMBER	GROUP LIST PAGE NUMBERS	TOTAL QUANTITY
89M42163	223	1	89M42345	229	1	89L43281	235, 241	1L
89M42164	223	2	89M42346	229	1	89L43281-1	241	1L
89M42165	223	2	89M42347	229	1	89L43281-2	241	1
89M42166	223	1	89M42348	229	1	89L43282	235, 241	1L
89M42167	223	1	89M42351	231	1	89L43282-1	241	1L
89M42168	223	1	89M42356	219, 231	1	89L43282-3	241	2
89M42169	223	1	89M42359	219	1	89L43289	239	1
89M42170	223	2	89L43000	9, 233	1L-1R	89L43299	239	1
89M42171-1	223	1	89L43100	233, 235	1L-1R	89E51000-51	243	1
89M42171-2	223	1	89L43100-16	235	1	89E51000-52	8	1
89M42172	221	1	89L43101	233	1	89K52000-51	243, 245	1
89M42175	221	1	89L43102	233, 237	1L-1R	89K52101	245	1
89M42176	221	1	89L43103	233, 239	1L-1R	89K52102	246	1
89M42178	221	1	89L43104	239	1L	89K52103-50	246	1
89M42179	221	1	89L43105	239	1L	89K52103-51	246	1
89M42181	231	1	89L43113	239	1	89K52103-52	246	1
89M42182	231	1	89L43120	205	1L	89K52104	247	1
89M42183	221	1	89L43123	235	2	89K52105	247	1
89M42193	225	2	89L43144	235	1	89K52106	247	2
89M42196	231	1	89L43145	241	1	89K52107	247	2
89M42197	223	1L-1R	89L43146-1	235	1	89K52109	245	1L-1R
89M42198	219, 223	1	89L43147	241	1	89K52111	246	1
89M42199	219	1	89L43148	241	1	89K52112	246	1
89M42200	225	1	89L43152	237	1L	89K52113	246	1
89M42200-3	227	1	89L43153	237	1L	89K52114	246	1
89M42200-4	225	1	89L43155	237	1L	89K52115	246	1
89M42201	219	1	89L43165	233	1	89K52116	246	1
89M42203	219	1	89L43166	237	1L	89K52117	246	1
89M42212	47	1	89L43167	237	1	89K52121	245	2
89M42213	227	1	89L43169	233	1	89K52122	245	2
89M42217-1	227	1	89L43170	237	1	89K52123	245	2
89M42225	227	1	89L43171	235	4	89K52124	245	2
89M42228-4	231	1	89L43172	239	1	89K52125	246	2
89M42230	219, 227	1	89L43173	237	1	89K52126	246	2
89M42231	227	1	89L43174	237	1	89K52127	246	2
89M42232	227, 229	1	89L43175	239	1	89K52128	246	2
89M42232-2	229	1	89L43176	235	1L	89K52129	246	2
89M42237	229	1	89L43251	235	1	89K52130	246	2
89M42353	65	1	89L43252	235	2	89K52131	246	2
89M44270	231	4	89L43253	235	2	89K52132	246	2
89M44285-3	231	1	89L43254	235	1	89K52133	246	2
89M42286	221	1	89L43255	235	1	89K52134	246	2
89M42304-1	227	1	89L43256	235, 241	1	89K52135	246	2
89M42306	219	1	89L43256-1	241	1	89K52136	246	2
89M42307	219	1	89L43257	235	1	89K52137	246	2
89M42308	219	1	89L43258	235, 241	1	89K52138	246	2
89M42309	221	1	89L43258-1	241	1	89K52139	246	2L-2R
89M42310	227	2	89L43259	235	1	89K52149	245	1
89M42315	227	1	89L43260	235	1	89K52150	245	1
89M42316	227	1	89L43261	235	1	89K52151	245	2
89M42332	229	1	89L43262	235	1	89K52152	245	1L-1R
89M42322-2	227	1	89L43264	235	1	89K52156-1	245	4
89M42339	229	1	89L43265	235	1	89K52162	245	4
89M42341-1	229	1	89L43266	235	1	89J55000	259	1
89M42342	229	1	89L43267	235, 241	1	89J55000-51	243	1
			89L43267-1	241	1			

RESTRICTED
AN 01-65BC-4
SECTION III—NUMERICAL PARTS LIST

PART NUMBER	GROUP LIST PAGE NUMBERS	TOTAL QUANTITY	PART NUMBER	GROUP LIST PAGE NUMBERS	TOTAL QUANTITY	PART NUMBER	GROUP LIST PAGE NUMBERS	TOTAL QUANTITY
89J55101	259	1	89P61902-2	269	1	89P63102	279	1
89J55102	259	1	89P61902-6	269	1	89P63103	279, 281	1
89J55110	259	1	89P61902-7	269	1	89P63106	279	1
89J55111	259	1	89P62001-1	271	1	89P63107	279	1
89J55112	259	1	89P62001-2	271	1	89P63110	279	1
89J55113	259	1	89P62001-3	271	1	89P63111	279	1
89J55121	259	1	89P62101-51	271	1	89P63119-1	281	6
89J55122	259	1	89P62103	271	1	89P63119-2	281	1
89J55123	259	1	89P62107	271	1L/1R	89P63120	281	1
89J55124	259	1	89P62109	273	1	89P63121	281	1
89J55125	259	1	89P62110	273	1	89P63122	281	1
89J55126	259	1	89P62110-23	273	1	89P63123	281	1
89J55127	259	1	89P62110-24	273	1L/1R	89P63124	281	1
89J55128	259	1	89P62110-29	273	2	89P63126-2	281	2
89J55129	259	1	89P62110-34	271	1	89P63126-3	281	2
89J55130	259	1	89P62110-35	271	1	89P63126-4	281	1
89J55131	259	1	89P62110-38	271	1	89P63129-1	281	1
89J55132	259	1	89P62115-1	275	1	89P63129-2	281	6
89J55133	259	1	89P62115-2	275	1	89P63130	281	1
89J55134	259	1	89P62115-6	275	1	89P63139	279	1
89J55135	259	1	89P62115-7	275	1	89P63140-13	279	1
89J55136	259	1	89P62115-8	275	1	89P63224	281	1
89J55137	259	1	89P62115-9	275	1	89P63225	281	1
89K55145	243	2	89P62115-16	275	1L/1R	89P63238-1	279	1
89J55157	243	1	89P62115-17	275	1L/1R	89P63238-2	279	1
89J55158	243	2	89P62116	275	1	89P63242-12	279	1
89J55159	259	1	89P62117	273	1	89P63245	279	1L/1R
89J55160	243	1	89P62121-33	275	1	89P63246-18	279	1
89X56000	8, 263	1	89P62127	275	1	89P63263	279	1
89X56101	263, 262	1	89P62129	271	2	89P63264	279	1
89X56104	263	1L/1R	89P62130	271	2	89P63265	279	1
89X56105	263	1	89P62131	275	1	89P63266	279	1
89X56106	263	1	89P62131-9	275	1	89P63267	279	1
89X61005-1	8	1	89P62131-11	275	1	89P64002-51	283	1
89X61005-2	8	1	89P62131-12	275	1	89P64002-5 2	283	1
89X61005-3	8	1	89P62131-14	271, 275	1	89P64002-53	283	1
89X61005-4	8	1	89P62131-15	271, 275	1	89P64003	285, 287	1
89X61005-5	8	1	89P62131-33	271	1	89P64103	285	1
89X61005-6	8	1	89P62132	271	1	89P64104	285	1
89P61101-1	267	1	89P62133	271	1L/1R	89P64105	205	1
89P61101-2	267	1	89P62134	271, 275	1	89P64107	287	1
89P61101-3	267	1	89P62134-1	277	1	89P64109	285	1
89P61101-4	267	1	89P62134-2	277	1	89P64109-1	285	1
89P61101-5	267	1	89P62134-6	277	1	89P64109-2	285	1
89P61101-6	267	1	89P62134-7	277	1	89P64109-4	285	1
89P61102	265	1	89P62135	275	1	89P64109-5	285	1
89P61103-1	265	1	89P62136	271	3	89P64112	283	1
89P61103-2	265	1	89P62160	275	1L/1R	89P64113	283	1
89P61104	265	1	89P63001	279	1	89P64117	283	1
89P61107-1	267	1	89P63101	279	1	89P64118-1	285	1
89P61107-2-3	267	1	89P63101-2	279	1	89P64118-2	285	1
89P61108-4	267	1	89P63101-3	279	1	89P64118-3	285	1
89P61901	265	1	89P63101-4	279	1	89P64118-4	285	1
89P61901-2	265	1	89P63101-31	279	1	89P64119-1	285	1
89P61902-1	269	1	89P63101-32	279	1	89P64119-2	285	1

RESTRICTED
AN 01-6580-4

SECTION III—NUMERICAL PARTS LIST

PART NUMBER	GROUP LIST PAGE NUMBERS	TOTAL QUANTITY	PART NUMBER	GROUP LIST PAGE NUMBERS	TOTAL QUANTITY	PART NUMBER	GROUP LIST PAGE NUMBERS	TOTAL QUANTITY
89P64119-3	285	1	89F65165-7	292	1	89F65211	297	1
89P64119-7	283	1	89F65165-11	291	1	89065229	89	1
89P64120-2	283	1	89F65165-13	292	1	89F65230	305	1
89P64120-3	283	1	89F65165-15	292	1	89F65233	305	1
89P64122	287	1	89F65165-16	293	1	89F65234	303	1
89P64123	287	2	89F65165-17	293	1	89F65236	389	1
89P64132-1	283	1	89F65165-19	292	1	89F65237	303	1
89P64132-2	283	1	89F65165-20	293	1	89F65238	301	1
89P64132-3	283	1	89F65165-27	293	1	89F65240	301	1
89P64133	283	1	89F65165-29	292	1	89F65241	301	1
89P64134	283	1	89F65165-33	293	1	89F65256	297	1
89P64135	283	1	89F65165-37	291	1	89F65258	291	1
89P64136-20	283	1	89F65165-39	291	1	89F65260	307	1L-1R
89F64137	285	1	89F65165-40	292	1	89F65262	307	1
89P64145	283	1	89F65165-41	292	1	89F65265	231, 307	1
89P64146	287	1	89F65165-42	293	1	89F65266	307	1
89F64147	285	1	89F65165-44	291	1	89F65267	307	1
89P64148	283	1	89F65165-45	290	1	89F65268	307	1
89P64149	283	1	89F65165-46	293	1	89F65268-1	307	1
89P64160	287	1L-1R	89F65165-47	305	1	89F65268-2	307	1
89P64161	287	1	89F65165-49	305	1	89F65281	307	1
89P64162	283	2	89F65165-56	291, 292	1	89F65286	291	1
89P64163	285	1	89F65165-63	291	1	89P65287	289	1
89P64165	283	1	89F65165-77	292	1	89P65288	289	2
89P64166	269	1	89F65165-79	292	1	89F65289-1	295	1
89P64166-3	269	1	89P65166-28	290	1	89F65289-2	295	1
89P64169	283	2	89P65166-29	290	1	89F65289-3	295	1
89P64171-1	271	1	89P65166-35	290	1	89P65290	289	1
89P64171-2	271	1	89P65166-37	290	1	89P65291	290	1
89F65001	290	1	89P65166-38	290	1	89P65292	289	1
89P65002	289	1	89P65166-39	289	1	89P65293	289	1
89F65010	292, 295	5	89P65166-40	290	1	89P65294	289	1
89F65103	297	1	89P65166-41	289	1	89F65295	295	1
89F65104	299	1	89P65166-42	289	1	89F65296	295	1
89F65105	292, 297	1	89P65166-43	290	1	89X66000	309	1
89F65106	293, 299	1	89P65166-44	290	1	89P66103	306	1
89P65108	289	1	89P65166-45	289	1	89P66105	275	1
89F65111	297	1	89P65166-46	289	1	89P66106	275	1
89F65115	297	1	89P65166-47	289	1	89P66108	309	1
89F65120	293, 301	1	89F65168	297, 299	1	89P66110	311	1
89F65121	301	1	89P65175	301	1	89P66111	309	1
89F65122	293, 303	1	89F65176	301	1	89P66112	313	1
89F65125-1	303	1	89P65180	290	1	89P66113	313	1
89F65130	301	1	89P65181-1	290	2	89P66114	313	1
89F65134-5	297	1	89P65181-2	290	1	89P66115	313	2
89F65135	297, 299	1	89P65182	290	1	89P66117-2	313	1
89F65138	299	1	89P65185	275	1	89P66118	313	1
89F65139	299	1	89F65186	293	1	89P66119	313	1
89F65140	299	1	89F65191	301	1	89P66123	313	1
89F65143	299	1	89F65194	293	1	89P66124	313	1L
89F65144-1	297, 299	1	89F65195	377	1	89P66125	311, 313	1L-1R
89F65144-2	297, 299	1	89F65204	301	1	89P66125-9	313	1
89F65148	297	1	89F65208	297	1	89P66126	313	1
89F65159	299	1	89F65209	299	1	89P66127	313	1L
89F65165-2	293	1	89065210	89	1R	89P66130	313	1L-1R

RESTRICTED
AN 01-65BC-4

SECTION III—NUMERICAL PARTS LIST

PART NUMBER	GROUP LIST PAGE NUMBERS	TOTAL QUANTITY	PART NUMBER	GROUP LIST PAGE NUMBERS	TOTAL QUANTITY	PART NUMBER	GROUP LIST PAGE NUMBERS	TOTAL QUANTITY
89P66132-1	309	1	89P67104-5	319	1	89F68122-2	329	1
89P66132-5	309	1	89P67104-6	318	1	89F68123	329	1L-1R
89P66132-6	311	1	89P67104-7	318	1	89P68124	333	1
89P66132-7	309	1	89P67104-8	319	1	89P68125-7	333	1
89P66132-9	309, 311	1	89P67104-47	318	1	89P68125-8	333	1
89P66132-19	310	1	89P67104-48	317	2	89F68127-4	327	1
89P66132-20	310	1	89P67104-49	317	2	89F68127-5	327	1
89P66132-22	310	1	89P67104-50	319	1	89F68128	327	2
89P66132-23	311	1	89P67105-1	317	4	89F68131	327, 333	4
89P66132-24	310	1	89P67105-2	317	4	89F68132	329	3
89P66132-26	309	1	89P67105-3	318	2	89F68133-1	329	2
89P66132-28	309	1	89P67106-2	319	1	89F68133-2	329	1
89P66132-29	311	1	89P67108	319	1	89F68136-45	327	1
89P66133	313	2	89P67110	319	1	89F68148	329	1
89P66134	313	1	89F67111	323	2	89P68153	333	1
89P66135	313	1	89F67112-2	323	2	89P68153-1	333	1
89P66136	313	1	89F67113	323	4	89P68153-2	333	1L-1R
89P66138	275	1	89F67115	323	1	89P68153-3	333	1
89P66139	306	4	89P67125-1	317	2	89F68154	327	12
89P66140	310	1	89P67125-2	317	2	89F68155	329	1
89P66150	315	1	89P67125-3	318	1	89F68156	327	2
89P66153	311, 315	1L-1R	89P67132-1	317	1	89P68157-11	333	1
89P66154	315	1	89P67132-2	317	2	89P68157-13	333	1
89P66155	315	1	89P67132-3	318	1	89F68164	327, 333	6
89P66156	315	1	89P67134	317	1	89F68166-1	339	1
89P66157	315	2	89P67135-1	321	1L-1R	89F68166-2	339	1
89P66158	315	1	89P67135-2	321	1	89F68167	337	4
89P66160	315	1	89P67135-24	321	2	89F68168	337	1
89P66161	315	2	89P67135-25	321	1	89F68169	339	1
89P66163	315	1	89F67140	321, 323	1	89F68170	329, 337	1
89P66164	315	1	89F67142-1	321	2	89F68171	339	1
89P66165	315	1	89P67154-21	325	1	89F68173	337	1
89P66166	315	1	89P67154-23	325	1	89F68174	337	1
89P66167	315	1	89P67154-25	325	1	89F68175	337, 339	1
89P66168	315	1	89P67154-27	325	1	89F68176	339	1
89P66169-1	309	1L-1R	89F67171	323	1	89F68177	337	1
89P66169-2	309	1L-1R	89F67173	321	1	89F68178	337	1
89P66170-1	311	1	89F67174	321	1	89F68179	337	1
89P66171	290	1	89F67175	321	1	89F68180	337	2
89P66171-1	315	2	89F67176	321	1	89F68182	337	1
89P66172	315	1	89F67181	321	1	89F68183	337	1L-1R
89P66173	315	1	89F67182-1	321	1	89F68187	339	1
89P66176	315	2	89F67182-2	321	1	89F68188	337	1
89P66177	305	8	89F67183	321	1	89F68191	329	1L-1R
89P66178	310	1	89F67184	321	1	89F68194	337	1L-1R
89P66179	309	1	89P67185	325	1	89F68171-1	339	1
89P66181	310, 409	2	89F68001	327, 329	1	89F68191	329	1L-1R
89P66182	311	2		331		89F68194	337	1L-1R
89P66185	313	1	89P68102	333	1	89F68196	329	1
89P67103-50	323	1	89F68103	46, 53	1	89F68197	339	1
89P67104	317, 323	1	89F68103-1	53	1	89F68200-5	335	1
89P67104-1	317	1	89F68104	335	1	89F68200-7	335	1
89P67104-2	317	1	89F68108	39	1	89F68200-9	335	1
89P67104-3	317	1	89F68110	335	1	89F68200-11	335	1
89P67104-4	318	1	89F68111	335	1	89F68200-13	335	1
			89F68121-15	329	1	89F68200-15	335	1
						89F68200-17	335	1

RESTRICTED
AN 01-65BC-4
SECTION III—NUMERICAL PARTS LIST

PART NUMBER	GROUP LIST PAGE NUMBERS	TOTAL QUANTITY	PART NUMBER	GROUP LIST PAGE NUMBERS	TOTAL QUANTITY	PART NUMBER	GROUP LIST PAGE NUMBERS	TOTAL QUANTITY
89F68200-19	335	4	89F68416	329	1	89C73138	341	1L
89F68200-21	335	1	89F68418	329	2	89C73139	341	1L
89F68201	337	1	89P68420	323	4	89C73147	353	1L
89F68207	329	1L-1R	89P68421	339	1	89C73149	335	1
89F68212-2	337	1	89X71000	343	1	89F73198	355	1L
89F68214	339	1	89F71101	343, 345	1	89F73199-2	355	1
89F68215	339	1	89F71102	345	1	89C73205	355	1
89F68216	339	1	89F71104	345	1L-1R	89C73206	355	1
89F68218	337	1	89X71105	345	1	89F73207-3	343, 357	1
89F68219	337	2	89X71106	345	1	89F73208	357	2
89F68223	337	1L-1R	89X71108	345	1	89F73209	355	1
89F68225	337	16	89F71109	343, 347	1	89F73210-2	357	1
89F68233	329	1	89F71110	347	1	89C73269	351	3
89F68240-51	337	1	89F71111	347	2	89C73275-3	351, 359	4L-4R
89F68241-2	337	1	89F71112	347	1L-1R	89C73283	359	1
89F68258	331	1	89F71113	347	1	89C73332	359	1
89F68278	333	1	89F71114	347	2	89C73358	351	8
89F68278-1	333	1	89F71115	347	1	89C73367-1	363	1
89F68278-3	333	1	89F71116	347	1	89C73367-4	361	1
89F68300	327	1	89F71117	347	1	89C73369	361	1
89F68307-1	335	1	89F71119	349	1	89C73370	361	1
89F68307-2	335	1	89F71120	345	1	89C73374	361	1
89F68309-2	331	1	89F71122	345	1	89C73375	361	1L
89F68311	335	1	89F71123	345	1	89C73376	361	1L
89F68313-1	335	1	89F71124	343, 347	1	89C73377	361	1
89F68313-2	335	1	89F71133	347	1L-1R	89C73381-1	363	1L
89F68316	327	2	89F71135	347	2	89C73381-2	363	1
89F68317	329	1	89F71137	349	1	89C73382	361	1
89F68318	331	1L-1R	89F71137-1	349	As Req.	89C73384	361	2
89F68323	341	1	89F71138	343, 349	1	89C73385	361	1
89F68324	341	1	89F71139	349	1	89C73388	361	1L
89F68325	341	1	89F71140	347	1	89C73389	363	1
89F68326	355, 341	1	89F71141	347	1	89C73393	359	1
89F68328	341	1	89F71142	347	1	89C73404	361	1
89F68329-1	327	1	89F71143	347	1	89C73405	361	1
89F68329-2	327	1	89F71144	347	2	89C73406-1	361, 363	1L-1R
89F68329-3	327	1	89F71153	347	1	89C73406-2	363	1L
89F68332-5	327	1	89F71155	343	1	89C73408	363	1
89F68332-6	327	1	89F71158	345	2	89C73409	363	1
89F68335	327	2	89F71159	345	1	89C73410	353, 363	5L-5R
89F68346	327	2	89F71160	345	1	89C73411	361	1
89F68347	327	2	89F71161	345	1	89C73412	361	1
89F68371	71	2	89F71162	343, 345	1	89C73413	361	1
89F68385-1	329	2	89F71163	349	2	89C73414	361	1
89F68385-2	329	1	89F71165	349	2	89C73416	353, 361	4
89F68385-3	329	2	89X73000-5	343	1	89C73427	353	4
89F68385-4	329	2	89C73102	351, 353	1L-1R	89C73430	353	1
89F68386	329	1	89X73103	355	1	89C73431-1	353	1L
89F68388	329	2	89X73103-1	355	1	89C73431-2	353	1L
89F68392	341	1	89F73105	357	1	89C73431-3	353	1L
89F68412	329	1L-1R	89C73107	351	1L	89C73434	353	1L
89F68143-1	329	1	89C73108	351	1L	89C73436	353	1L
89F68413-2	329	1	89C73121	365	1	89C73437-2	353	1L
89F68413-4	329	1	89C73127	353, 359	12	89C73437-3	353	1L
89F68414	329	2	89C73131	363	4	89C73437-4	353	1L

89F 72883 - Aircraft Control

RESTRICTED

T. O. No. 01-60JC-4

SECTION III—NUMERICAL PARTS LIST

PART NUMBER	GROUP LIST PAGE NUMBERS	TOTAL QUANTITY	PART NUMBER	GROUP LIST PAGE NUMBERS	TOTAL QUANTITY	PART NUMBER	GROUP LIST PAGE NUMBERS	TOTAL QUANTITY
89C73439	361	1L	89F81110-6	375	1	89F82132-51	388	1
89C73441	365	1	89F81110-50	375	1	89F82132-53	388	1
89C73442	361	1	89F81110-51	375	1	89F82133	389	1
89C73443	361	1L	89F81110-52	375, 373	1	89F82135	395	1
89C73444	361	1L	89F81110-53	371, 375	1	89F82136-2	402	1
89C73445	361	1L	89F81112-8	375	1	89F82139	388	1
89C73446	131	1	89F81112-10	377	1	89F82141	388	1
89C73447-2	355	5	89F81113	435	1	89F82142	388	3
89C73448	365	1	89F81114-8	371	1	89F82143	402	1
89C73449	351, 365	1	89F81114-9	371	1	89F82149	402	2
89C73454	353	3L	89F81114-10	371	1	89F82152	395	1
89C73455	353	1L	89F81114-11	371	1	89F82155	395	1
89C73472	363	3	89F81115	372	1	89F82156	395	1
89C73481	361	1	89F81116-2	372	1	89F82171	383	1
89C73482	351	27	89F81116-3	372	1	89F82186	383	1
89C73483	351	27	89F81119	375	1	89F82193	402	1
89C73488	353	1L	89F81121	375	1	89F82195	377	1
89C73489-1	355	1	89F81122-1	377	1	89F82199	383	1
89C73489-2	355	1	89F81122-2	377	1	89F82200	383	1
89P37495	357	1	89F81123-1	435	1	89F82202	342	2
89C73502	363	As Req	89F81124	376	1	89F82204	387	1
89C73503	363	As Req	89F81125	378	1	89F82205	383	1
89C73504	361	1L	89F81127	378	1	89F82208	403	1
89C73505	361	1	89F81129-1	378	1	89F82211	391	1
89X76000	7, 367	1	89P81130	372	1	89F82215	387	2
89X76101	7, 367	1	89P81130-1	372	1	89F82221	383	4
89C77109	369	1	89P81130-2	372	1	89F82223	383	1
89F77110	369	1	89P81130-3	372	1	89F82224	383	2
89F77114	369	2	89P81130-4	372	1	89F82225-2	402	1
89C77116	369	1	89P81130-6	372	1	89C82226	205	1
89C77116-1	369	2	89P81130-7	372	1	89F82242	402	2
89C77117	369	1	89P81130-8	372	1	89F82250	377	1
89C77118	369	1	89P81130-12	372	1	89F82251	395, 403	1
89C77120	369, 343	1	89X82000-3	7	1	89F82251-1	395	1
89X81000	7, 371	1	89X82000-4	7	1	89F82251-2	395	1
89F81001-1	371	1	89X82000-5	7	1	89F82251-3	395	1
89F81001-2	371	1	89C82103	379	1	89F82251-4	395	1
89F81001-3	371	1	89C82103-19	379	1	89F82251-5	395	1
89F81001-5	371	1	89C82103-21	379	1	89F82251-6	395	1
89F81001-6	371	1	89C82103-22	379	1	89F82251-7	395	1
89F81001-20	371	1	89P82104	383	1	89F82251-8	395	1
89F81001-30	371	1	89P82105	383	1	89F82252	75	1R
89F81001-40	371	1	89F82107-1	388	1	89F82254	395	1
89F81001-50	371	1	89F82107-2	387	1	89F82255	395	1
89F81104	375	2	89F82107-50	387, 391	1	89F82257	44	1
89F81105-1	375	1	89F82107-51	387, 391	1	89F82261	383	1
89F81105-2	375	1	89F82107-52	387, 391	1	89P82262	383	2
89F81105-3	375	1		402		89F82267-51	403	1
89F81106	375	2	89F83107-53	387, 391	1	89F82269-51	403	1
89F81107	375	2	89P82108	383	2	89F82300	397	1
89F81108	375	2	89P82109-4	383	1	89F82300-1	403	1
89F81109-1	377	1	89P82109-7	383	1	89F82300-2	403	1
89F81109-2	377	1	89P822214	395	1	89F82311	491	1
89F81110	375	1	89C82115	380	1	89F82312	402	1
89F81110-1	375	1	89C82116	380	1			
89F81110-2	375	1	89P82118	383	1			
89F81110-3	375	1	89P82120	383	1			
89F81110-4	375	1	89P82122	383	1			
89F81110-5	375	1	89P82123	383	1			
			89F82132-50	388	1			

89C73480 - Charge - 3 - d.

RESTRICTED
AN 01-65BC-A
SECTION III—NUMERICAL PARTS LIST

PART NUMBER	GROUP LIST PAGE NUMBERS	TOTAL QUANTITY	PART NUMBER	GROUP LIST PAGE NUMBERS	TOTAL QUANTITY	PART NUMBER	GROUP LIST PAGE NUMBERS	TOTAL QUANTITY
89F82320		1	89F84126	429	1	89F84235	429	1
89F82323	391	1	89F84127	429	1	89F84236	410	1
89F82323-1	391	1	89F84128	429	1	89F84237-1	410	1
89F82323-2	391	1	89F84134	429	1	89F84237-2	410	1
89F82327	391	1	89F84135	415	1	89F84245	431	1
89F83033	405	1	89F84137	425	1	89F84245-2	431	1
89X83000	7	1	89F84138	425	1	89F84245-4	431	1
89X83301	7	1	89F84139	425	1	89F84245-5	431	1
89F83302	405	1	89F84140	425	1	89F84245-6	431	1
89F83317	405	1	89F84141	425	1	89F84245-11	431	1
89F83320	405	1	89F84142	425	1	89P84250	409	1
89F83330	405	1	89F84144	425	1	89P84250-3	409	1
89F83330-16	405	1	89F84144-13	425	2	89P84250-4	409	1
89F83331-3	405	1	89F84145	425	1	89P84250-5	409	1
89F83332	405	1	89F84150-1	425	1	89P84250-6	409	1
89F83333-3	405	1	89F84150-3	431	2	89X84300-2	7,413	1
89F83340	405	1	89F84152	431	1	89X84300-3	7,413	1
89F83341	405	1	89F84153	431	2	89X84301	413	1
89F83360	405,407	1	89F84157-1	291,431	4	89F84302	417	1
89F83361	405,407	1	89F84157-2	431	2	89F84303	433	1
89F83362	407	1	89P84173	431	1	89F84303-1	433	1
89F83363	407	1	89P84174	431	1	89F84309	411	1
89F83365	405	1	89P84176	409	1	89F84310	435	1
89F83380-1	405	1	89P84182	409	1	89F84310-1	435	1
89F83381-1	405	2	89P84183	409	1	89F84310-2	435	1
89F83382	405	1	89P84185-8	409	1	89F84310-3	435	1
89F83385	405	1	89P84186	409	1	89F84310-4	435	1
89F83389	405	2	89P84189	409	2	89F84310-5	435	1
89F83395	405	1	89F84190	413	1	89F84310-6	435	1
89X83400	7	1	89F84197	419	2	89F84310-7	435	1
89X83401	7	1	89F84198	419	2	89F84310-8	435	1
89F84002	410	1	89F84200	429	1	89F84310-10	435	1
89F84002-1	410	1	89F84201	429	1	89F84310-11	435	1
89F84100	412	1	89F84202	409,429	2	89F84310-13	435	1
89F84101	415	1	89P84206-3	410,432	2	89F84310-14	435	1
89F84103	417	1	89F84207	429	1	89F84310-15	435	1
89X84105	419	1	89F84208	429	1	89F84310-16	435	1
89F84105-1	419	1	89F84212	429	1	89F84310-17	435	1
89F84106	419	2	89F84213	429	1	89F84310-18	435	1
89F84107	421	1	89F84215-1	429	1	89F84310-19	435	1
89F84107-1	421	1	89F84125-2	429	1	89F84310-20	435	1
89F84107-3	421	1	89F84216	429	1	89F84310-21	435	1
89F84107-4	421	1	89F84219	429	1	89F84310-22	435	1
89F84107-7	419	2	89F84220	31	1	89F84310-23	435	1
89X84108-1	423	1	89P84225	409	1	89F84310-24	435	1
89X84108-2	423	1	89P84226-1	431	1	89F84310-25	435	1
89F84110	425	1	89P84226-2	431	1	89F84312	435	1
89F84111	427	1	89P84226-3	431	1	89F84318	409	1
89F84112	427	1	89P84226-4	431	1	89F84319	429	2
89F84113	427	1	89P84226-5	431	1	89F84323	410	1
89F84114	415	1R	89P84226-6	431	1	89P84324-1	417,423	1
89F84114	415	1L	89P84226-7	431	1	89F84324-2	417,423	1
89F84115	415	2	89P84226-8	431	1	89F82327	393	1
89F84116	415	1L-1R	89P84226-9	431	1	89F84331	410,423	1
89F84118-1	429	1	89P84226-10	431	1	89P84335	409	1
89F84118-50	429	1	89P84226-14	431	1	89P84336	409	1
89F84118-51	429	1	89P84226-16	431	1	89F84337	410,423	1
89F84118-52	429	1	89F84227	429	1	89F84338-1	433	1
89F84122	429	1	89F84228	409	1	89F84338-2	410,423	1
89F84125	429	1	89X84233	423	1	89P84339	409	1

RESTRICTED
AN 01-65BC-4
SECTION III—NUMERICAL PARTS LIST

PART NUMBER	GROUP LIST PAGE NUMBERS	TOTAL QUANTITY	PART NUMBER	GROUP LIST PAGE NUMBERS	TOTAL QUANTITY	PART NUMBER	GROUP LIST PAGE NUMBERS	TOTAL QUANTITY
89F84340	433	1	89896213-2	189	1	89896604-3	177	1
89P84341-1	110, 433	2	89896213-3	181, 185	1	89896604-4	178	2
89F84342	435	12		187		89896604-5	178	1
89F84343	435	2	89896213-4	183	1	89896604-6	178	1
89F84344	429	1	89896214-3	187	1	89896604-7	178	1
89X84902	423	1	89896214-5	187	1	89896604-8	178	1
89X84902-1	423	1	89896215-3	187	1	89896604-9	178	1
89X84902-4	423	1	89896215-4	183	1	89896604-11	196	1
89X84903-1	423	1	89896215-5	181, 185	1	89896604-12	196	1
89X84903-2	423	1	89896215-10	189	1	89896604-13	196	1
89X84910	423	1	89896418-5 $\frac{1}{2}$	293	1	89896604-14	196	1
89X84911-3	423	1	89896418-12 $\frac{1}{2}$	292	1	89896604-15	196	1
89X84911-4	423	1	89896418-46 $\frac{1}{2}$	389	1	89896604-16	196	1
89X84912-3	423	2	89896418-78	291	1	89896605-1	177	1
89X84912-4	423	2	89896448	380	1	89896605-2	177	1
89896033	139	1	89896472-1	183	2	89896605-3	177	1
89896046	91	3L-3R	89896488-5	173	2	89896605-4	177	1
89896047	91	1	89896488-6	145	1	89896605-13	196	1
89896048	91	1	89896488-7	169	2	89896605-14	196	1
89896089	133	6	89896600-4-14	196	1	89896605-16	196	1
89896122	363	1L	89896600-8 $\frac{1}{2}$ -14	193	2	89896605-17	195	1
89896140	351	27	89896600-12-14	193	2	89896605-18	196	1
89896141	351	27	89896601	193	1	89896605-22	196	1
89896153	147, 151	3	89896602	193	1	89896605-23	196	1
89896153-1	151	1	89896603-3	193	1	89896605-24	195	1L-1R
89896153-2	151, 153	2	89896603-4	178	1	89896605-25	196	1
	154		89896603-6	195	1	89896605-26	196	1
89896156	147, 149	4	89896603-8	196	1	89896605-27	196	1
89896156-1	149	1	89896603-9	196	1	89896605-28	196	1
89896168	163	1	89896603-10	196	1	89896605-29	196	1
89896171	141	1	89896603-11	195	1	89896605-30	195	1L-1R
89896189	141	1	89896603-12	196	1	89896605-31	195	1
89896190	85	1	89896603-15	196	1	89896605-32	195	1
89896192	161, 163	4	89896603-16	196	1	89896605-34	195	1
89896207-4	181, 189	6	89896603-17	196	1	89896605-35	195	1
89896207-6	183, 185	2	89896603-18	196	1	89896605-38	196	1
89896208-3	181, 185	2	89896603-19	196	1	89896605-42	195	1
89896208-4	187	1	89896603-20	196	1	89896605-43	195	1
89896208-5	189	4	89896603-21	196	1	89896605-44	196	1
89896208-6	183	2	89896603-22	196	1	89896605-45	195	1
89896209-3	181, 185	2	89896603-23	196	1	89896605-46	196	1
89896209-4	183	1	89896603-24	196	1L-1R	89896605-47	195	1
89896209-9	181, 185	1	89896603-26	196	1	89896605-48	195	1
89896209-11	187	1	89896603-29	196	1	89896605-49	195	1
89896209-12	191	2	89896603-30	178	1	89896605-50	195	1
89896209-14	189	4	89896603-35	196	1	89896605-51	199	1
89896209-15	189	1	89896603-42	196	1	89896605-52	199	1
89896209-16	189	2	89896603-47	183	1	89896605-53	199	1
89896210-3	181, 185	2	89896603-49	183	1	89896605-54	199	1
89896210-4	187	1	89896603-50	183	1	89896605-55	195	1
89896210-5	189	4	89896603-51	195	1	89896606-4	195	1
89896210-6	183	2	89896603-66	195	1	89896608-1	201	1L-1R
89896211-3	181, 185	2	89896603-67	196	1	89896608-2	201	1L-1R
89896211-4	187	1	89896603-68	195	1	89896608-3	201	1L
89896211-5	189	4	89896603-70	195	1	89896608-4	201	1L
89896211-6	183	2	89896603-71	195	1	89896608-5	201	1L-1R
89896212-3	181, 185	2	89896603-72	195	1	89896608-6	201	1L-1R
89896212-4	187	1	89896603-73	195	1	89896608-7	201	1L-1R
89896212-6	183	2	89896603-74	195	1	89896608-8	201	1L-1R
89896212-7	189	4	89896604-1	177	1	89896209-10	191	2
89896212-10	189	2	89896604-2	177	1	89896610-12	191	2

RESTRICTED
AN 01-6580-4
SECTION III—NUMERICAL PARTS LIST

PART NUMBER	GROUP LIST PAGE NUMBERS	TOTAL QUANTITY	PART NUMBER	GROUP LIST PAGE NUMBERS	TOTAL QUANTITY	PART NUMBER	GROUP LIST PAGE NUMBERS	TOTAL QUANTITY
89896611-8D	199	1	93X37000	169	As Req.	93G53574	250	1
89896613-1	181, 183, 185, 187	2	93F37110	169	2	93G53575-3	250	1
	189		93F37110-1	169	1	93G53576	250	1
89896617-2	191	1	93X38000-2	9	1	93G53577	250	1
89896614-5	187	2	93X38000-1	9	1	93G53580	250	1
89896623-1	196	2	93X38000-3	8	1	93G53581	250	1
89896624	195	2	93X38500	8	1	93G53582	250	1
89896625	195	1	93L41005	207	1	93G53583	250	1
89896626-4	196	1	93M42197	223	1L-1R	93G53584	250	1
93F11000-1	8, 11	1	93K52102	246	1	93G53585	250	1
93F11000-2	8, 11	1	93K52104	247	1	93G53586	250	1
93F11000-3	8	1	93K52109	245	1L-1R	93G53587	250	1
93F11000-4	8	1	93G53500	243, 249	1L-1R	93G53588	250	1
93F11000-5	8	1	93G53503	249	1	93G53589	250	1
93F11000-6	8	1	93G53504	249	1	93G53592	249, 254	4
93F11000-7	8	1	93G53505	249	1	93R54500	243, 253	1
93F11000-8	8	1	93G53509	249	1	93R54503	254, 257	1
93F11029	21	1	93G53510	249	1	93R54503-8	257	1
93F11107	22	1	93G53511	249	1	93R54503-9	257	1
93F11108-51	22	1	93G53512	249	1	93R54503-10	257	2
93F11108-52	22	1	93G53513	249	1	93R54504	253	1
93F11108-53	22	1	93G53514	249	1	93R54505	254	1
93F11145	45	1L-1R	93G53515	249	1	93R54505-1	254	1
93F11171	23	1	93G53516	249	1	93R54505-2	254	1
93F11190	35	1	93G53517	249	1	93R54506	257	1
93F11200	83	1	93G53518	249	1	93R54507	257	1
93F11201-2	83	1	93G53519	249	1	93R54508	257	1
93F11203	83	1	93G53520	249	1	93R54509	255	1
93F11208-1	83	1	93G53521	249	1	93R54511	254	1
93F11208-3	83	1	93G53522	249	1	93R54512	254	1
93F11210	419	1	93G53523	249	1	93R54513	254	1
93F11511	25	1	93G53524	249	1	93R54514	254	1
93F11512	25	1	93G53526	249	1	93R54515	255	1
93F11519-1	24	1	93G53530	250	1	93R54516	255	1
93F11520	15	1	93G53531	250	1	93R54517	255	1
93F11701	37	1	93G53532	250	1	93R54518	255	1
93F11725	19	1	93G53533	249	1	93R54519	255	1
93F11808	83	1	93G53534	249	1	93R54520	255	1
93F11812	77, 83	1	93G53535	249	1	93R54521	255	1
93F11812-1	83	1	93G53536	249	1	93R54522	255	1
93F11812-5	83	1	93G53537	249	1	93R54523	254	1
93F11812-6	83	1	93G53538	249	1	93R54524	255	1
93F11812-7	83	1	93G53539	249	1	93R54525	257	1
93F11812-8	83	1	93G53540	250	1	93R54526	257	1
93F11812-9	83	1	93G53541	250	1	93R54530	255	1
93F11812-10	83	1	93G53542	250	1	93R54531	255	1
93F11812-11	83	1	93G53543	250	1	93R54532	255	1
93F11812-12	83	1	93G53544	250	2	93R54533	255	1
93F11812-13	83	1	93G53550	250	1	93R54534	253	1
93F11812-14	83	1	93G53560-1	250	1	93R54536	253	1
93F11812-15	83	1	93G53562	250	6	93R54537	253	1
93F11812-16	83	1	93G53563-1	249	1	93R54538	253	1
93F12095	15	1	93G53563-3	249	1	93R54539	253	1
93G22126	115	1L	93G53569-1	255	1	93R54540	253	1
93G22142	93	1L	93G53569-2	250, 255	3	93R54543	254	1
93G22300-1	117	1R	93G53570	250, 251	1	93R54544	257	1
93G22577	89	1	93G53571	250	1	93R54545	257	1
93G22579	89	1	93G53575-1	253	1	93R54546	257	1
93G22581	89	1L-1R	93G53575-2	250, 253	3	93R54550	254	1
93G22583	89	1						
93F36232	165	1						

SECTION III—NUMERICAL PARTS LIST

PART NUMBER	GROUP LIST PAGE NUMBERS	TOTAL QUANTITY	PART NUMBER	GROUP LIST PAGE NUMBERS	TOTAL QUANTITY	PART NUMBER	GROUP LIST PAGE NUMBERS	TOTAL QUANTITY
93R54555	253	1	93F82152	395	1	8092-85	210	1
93R54556	255	1	93F82160	393	1	8092-270	209	1
93R54557	255	1	93X83000	7	1	8123-8	209	3
93R54558	254	1	93X83001	7	1	8123-9	209	1
93R54559	254	1	93X84000-2	7	1	8123-10	210	1
93R54560	254	1	93X84000-3	7	1	8123-13	210	1
93F54563-2	254	1	93X84000-4	7	1	8123-27	209	1
93R54573	255	1	93X84000-5	7	1	8123-37	209	1
93R54580	255	1	93F84018	75	1R	8123-41	210	2
93R54581	255	1	93F84021	25	1	8123-47	210	1
93R54582	253	1	99C22105	99	1L-1R	8123-53	210	1
93R54583	253	1	99C22626	85	1L	8123-56	209	2
93R54584	253	1	99F36106	167	1	8123-60	210	1
93R54586	253	1	106-8	193	1	8123-62	210	1
93R54587	253	1	106-12	195	1	8123-63	210	1
93R54588	253	1	350-D	193	1	8123-64	210	1
93P61101	269	1	475-HT-8D	199	1	8123-66	210	1
93P62145	275	1	582-B	193	1	8123-74	209	1
93P64101	283	1	880-M-1	399	2	8123-75	209	1
93F65120	301	1	1482-M-1	295	5	8123-104	209	1
93C65147	89	1R	1641	183	2	8123-126	209	1
93C65147-1	89	1	1646	339	1	8123A	209	1
93F65204	301	1	1703	211	2	8123A2A	209	1
93X71000	9	1	1743	207	1	8123A4	209	1
93X71000-8	9	1	1744	207	1	8192	211	1
93F71107	343, 345	1	1780	211	1	8192-48	211	1
93F71107-1	345	1	1792	223	3	8192-75	211	1L-1R
93F71156	345	1	2827-M-1	381	1	8192-83	211	1L-1R
93F71166	345	1	2832-M-20	397	1	8192-91	211	1
93F71166-7	345	1	2980-6	379, 400	1	8916-K-524	399	1
93F71167	345	1	2980-9	383, 385	5	12175	229	1
93F71168	345	1	2981-3	400	1	12303	229	1
93F71168-1	345	1	2981-4	400	4	18200	229	1
93G73107	363	4	2981-6	400	11	18337	229	1
93X76000	8	1	2981-7	384	1	25661	199	1
93X81000-1C	7, 371	1	2981-8	400	1	26947	199	1
93X81000-2C	8, 371	1	2982	409	2	30236	116	As Req.
93F81110	371	1	2982-5	400	3	50134	209	1
93X82000	7	1	2982-6	217	1	57405	205	1
93X82000-2	7	1	2980-11	383	2	87803A	201	2
93X82000-3	7	1	2980-30	384	4	276310	376	1
93F82110-3	387, 393	1	2982-10	384	2	500205	211	1
93F82110-4	387, 393	1	3087	399	76	500206	209	1
93F82110-5	387	1	3088	389	5	501000	209	1
93F82112	393	1	3115-1ET-4D	371	1	501001	209	1
93F82112-1	393	1	3115-1GT-4D	295	3	501028	209	1
93F82115	393	1	3115-1GT-8D	371	1	501030	209	1
93F82115-17	387	1	3115-1HT-4D	371, 374	2	501031	209	1
93F82115-30	387	1	3115-1HT-8D	177, 293	2	501036	209	1
93F82122	393	1		371	1	501040	209	1
93F82123	393	1	3115-1HT-10D	289	1	501044	209	1
93F82137-3	431	1	3115-1JT-8D	177	1	501054	210	1
93F82145	393	1	3156-7T-4	376	1	501057	211	1
93F82150	395	1	3422-10	419	4	501072	209, 210	2
93F82150-1	395	1	3532-14	429	1	501090	211	1
93F82150-2	395	1	3800-B	173	2	501133	211	1
93F82150-5	395	1	5001-1	285	3	501149	210	1
93F82150-8	395	1	5365-HT-4D	195, 196	1	501151	210	2
93F82150-9	395	1	6083-8Z	379	1	501154	210	1
93F82150-10	395	1	8092-48	210	1	501156	210	2

SECTION IV
STANDARD
PARTS LIST

SECTION IV
STANDARD
PARTS LIST

RESTRICTED
AN 01-65BC-4
SECTION IV—STANDARD PARTS LIST

PART NUMBER	NOMENCLATURE	TOTAL QUANTITY	ATTACHING QUANTITY	PART NUMBER	NOMENCLATURE	TOTAL QUANTITY	ATTACHING QUANTITY
A-304-1	Bearing	2	0	AC40B-629-6-012	Packing Rings	2	0
A-539	Bearing	4	0	AC40B-629-6-028	Packing Rings	2	0
A-541	Bearing	4	0	AC40B-629-7-014	Packing Rings	7	0
A-543	Bearing	4	0	AC40B-629-8-016	Packing Rings	9	0
A-620-1	Bearing	2	0	AC40B-629-8-020	Packing Rings	23	0
A-628-6	Bearing	4	0	AC40B-629-8-028	Packing Rings	3	0
A-741	Bearing	4	0	AC40B-629-8-100	Packing Rings	20	0
A-1214-2	Bearing	2	0	AC40B-629-8-112	Packing Rings	12	0
A-1526-1	Bearing	1	0	AC40B-629-10-014	Packing Rings	1	0
AC35A-231	Retaining Washer	2	0	AC40B-629-10-200	Packing Rings	4	0
AC35A-235-4	Felt Seal	2	0	AC40B-629-11-020	Packing Rings	5	0
AC35A-236-4	Retainer	4	0	AC40B-629-11-112	Packing Rings	2	0
AC35A-237-4	Snap Ring	2	0	AC40B-629-12-324	Packing Rings	8	0
AC35A-239-1	Washer	2	2	AC40B-887-014-C-022-16	Washer	52	52
AC35A-239-6	Washer	2	2	AC40B-887-016-C-024-16	Washer	30	30
AC35A-592	Dust Cap	2	0	AC40B-887-018-C-026-16	Washer	34	34
AC35B-416-3	Nut	2	2	AC40B-887-024-C-100-16	Washer	24	24
AC35B-416-4	Nut	2	2	AC40D-370-4D	Straight Swivel	8	0
AC35B-1406-1	Fastener	72	72	AC40D-370-8D	Straight Swivel	4	0
AC35B-1406-2	Fastener	154	154	AC40D-371-4D	Straight Swivel 15°	4	0
AC35B-1406-3	Spring	367	0	AC40B-629-11-016	Packing Rings	1	0
AC35B-1406-4	Grommet	329	0	AC40D-371-5D	Straight Swivel	4	0
AC35B-1406-5	Fastener	84	84	AC40D-371-6D	Straight Swivel	8	0
AC35B-1406-6	Spring	262	0	AC40D-371-8D	Straight Swivel	2	0
AC35B-1406-7	Grommet	248	0	AC40D-372-6D	Straight Swivel 45°	10	0
AC36A4486-832-12	Screw	18	18	AC40D-373-4D	Union	10	0
AC36A4549	Screw	1	1	AC40D-373-6D	Union	2	0
AC39A2098-6-1/4	Clamp	40	0	AC40D-373-8D	Union	8	0
AC39A2098-8- and 3/16	Clamp	4	0	AC40D-374-4D	Union	16	0
AC39A2098-10-1/4	Clamp	6	0	AC40D-374-5D	Union	4	0
AC39B618-2	Eye	2	0	AC40D-374-6D	Union	18	0
AC39B618-3	Terminal	10	0	AC40D-374-8D	Union	5	0
AC39B618-5	Terminal	8	0	AC40D-1328-4D	Union	4	0
AC39B618-6	Terminal	2	0	AC41D-25-4D	Plugs	11	0
AC39B620-S-3L	Terminal	5	0	AC41B-25-6D	Plugs	8	0
AC39B620-S-3R	Terminal	5	0	AC41B-25-8D	Plugs	4	0
AC39B620-S-5R	Terminal	4	0	AC41D-1217-4-14	Flex.Hose Assy.	1	0
AC39B620-S-5L	Terminal	4	0	AC41D-1217-8W-14	Flex.Hose Assy.	1	0
AC39B620-S-6R	Terminal	2	0	AC41D-1217-12-14	Flex.Hose Assy.	2	0
AC39B1024-6	Check Nut Stl.	8	0				
AC39B1024-6D	Check Nut	16	0				
AC39B1024-8D	Check Nut	12	0				
AC39B1024-12D	Check Nut	1	0				
AC39B3480-414	Check Nut	5	0				
AC39B3480-614	Hose Assembly	2	0				
AC39B3480-1016	Hose Assembly	1	0				
AC39B3481-414	Hose Assembly	2	0				
AC39G1030-4-14	Hose Assembly	2	0				
AC39G1030-4-18	Hose Assembly	4	0				
AC39G1030-6-14	Hose Assembly	6	0				
AC39G1030-6-16	Hose Assembly	3	0				
AC39G1030-6-18	Hose Assembly	1	0				
AC40A8271	Fastener	15	15				
AC40A8272	Spring	15	0				
AC40B-629-6-008	Packing Rings	8	0				

RESTRICTED
AN 01-65BC-4
SECTION IV—STANDARD PARTS LIST

PART NUMBER	NOMENCLATURE	TOTAL QUANTITY	ATTACH- ING QUANTITY	PART NUMBER	NOMENCLATURE	TOTAL QUANTITY	ATTACH- ING QUANTITY
AN 3-4	Bolt H.H.Steel	12	12	AN 4-20A	Bolt H.H.Steel	8	8
AN 3-5	Bolt H.H.Steel	3	3	AN 4-21A	Bolt H.H.Steel	4	4
AN 3-7	Bolt H.H.Steel	56	56	AN 4-22A	Bolt H.H.Steel	2	2
AN 3-10	Bolt H.H.Steel	3	3	AN 4-23A	Bolt H.H.Steel	1	1
AN 3-11	Bolt H.H.Steel	4	4	AN 4-24A	Bolt H.H.Steel	6	6
AN 3-12	Bolt H.H.Steel	3	3	AN 4-26A	Bolt H.H.Steel	43	43
AN 3-13	Bolt H.H.Steel	12	12	AN 4-34A	Bolt H.H.Steel	1	1
AN 3-14	Bolt H.H.Steel	2	2	AN 4-35A	Bolt H.H.Steel	1	1
AN 3-17	Bolt H.H.Steel	2	2	AN 4-43A	Bolt H.H.Steel	2	2
AN 3-20	Bolt H.H.Steel	3	3	AN 4-44A	Bolt H.H.Steel	2	2
AN 3-3A	Bolt H.H.Steel	58	58	AN 4-45A	Bolt H.H.Steel	2	2
AN 3-4A	Bolt H.H.Steel	503	503	AN 4DD-16A	Bolt H.H.Dural	4	4
AN 3-5A	Bolt H.H.Steel	401	401	AN 5-7	Bolt H.H.Steel	16	16
AN 3-6A	Bolt H.H.Steel	327	327	AN 5-11	Bolt H.H.Steel	4	4
AN 3-7A	Bolt H.H.Steel	335	335	AN 5-5A	Bolt H.H.Steel	4	4
AN 3-10A	Bolt H.H.Steel	81	81	AN 5-6A	Bolt H.H.Steel	44	44
AN 3-11A	Bolt H.H.Steel	33	33	AN 5-7A	Bolt H.H.Steel	50	50
AN 3-12A	Bolt H.H.Steel	42	42	AN 5-10A	Bolt H.H.Steel	21	21
AN 3-13A	Bolt H.H.Steel	60	60	AN 5-11A	Bolt H.H.Steel	16	16
AN 3-14A	Bolt H.H.Steel	35	35	AN 5-12A	Bolt H.H.Steel	34	34
AN 3-15A	Bolt H.H.Steel	33	33	AN 5-13A	Bolt H.H.Steel	13	13
AN 3-16A	Bolt H.H.Steel	14	14	AN 5-14A	Bolt H.H.Steel	14	14
AN 3-17A	Bolt H.H.Steel	23	23	AN 5-15A	Bolt H.H.Steel	10	10
AN 3-20A	Bolt H.H.Steel	5	5	AN 5-16A	Bolt H.H.Steel	4	4
AN 3-21A	Bolt H.H.Steel	5	5	AN 5-17A	Bolt H.H.Steel	4	4
AN 3-22A	Bolt H.H.Steel	4	4	AN 5-21A	Bolt H.H.Steel	5	5
AN 3-23A	Bolt H.H.Steel	11	11	AN 5-23A	Bolt H.H.Steel	11	11
AN 3-24A	Bolt H.H.Steel	4	4	AN 5-25A	Bolt H.H.Steel	7	7
AN 3-25A	Bolt H.H.Steel	4	4	AN 5-31A	Bolt H.H.Steel	2	2
AN 3-26A	Bolt H.H.Steel	8	8	AN 5-32A	Bolt H.H.Steel	1	1
AN 3-27A	Bolt H.H.Steel	4	4	AN 5-40A	Bolt H.H.Steel	2	2
AN 3-32A	Bolt H.H.Steel	3	3	AN 5-45A	Bolt H.H.Steel	4	4
AN 4-4	Bolt H.H.Steel	16	16	AN 5-47A	Bolt H.H.Steel	4	4
AN 4-5	Bolt H.H.Steel	8	8	AN 5-DD-37A	Bolt H.H.Al.Al.	1	1
AN 4-6	Bolt H.H.Steel	6	6	AN 5-DD-41A	Bolt H.H.Al.Al.	1	1
AN 4-7	Bolt H.H.Steel	1	1	AN 6-10	Bolt H.H.Steel	24	24
AN 4-10	Bolt H.H.Steel	2	2	AN 6-15	Bolt H.H.Steel	8	8
AN 4-11	Bolt H.H.Steel	11	11	AN 6-17	Bolt H.H.Steel	4	4
AN 4-12	Bolt H.H.Steel	8	8	AN 6-10A	Bolt H.H.Steel	12	12
AN 4-13	Bolt H.H.Steel	3	3	AN 6-11A	Bolt H.H.Steel	9	9
AN 4-14	Bolt H.H.Steel	9	9	AN 6-12A	Bolt H.H.Steel	16	16
AN 4-16	Bolt H.H.Steel	1	1	AN 6-13A	Bolt H.H.Steel	7	7
AN 4-17	Bolt H.H.Steel	2	2	AN 6-14A	Bolt H.H.Steel	15	15
AN 4-24	Bolt H.H.Steel	2	2	AN 6-15A	Bolt H.H.Steel	4	4
AN 4-30	Bolt H.H.Steel	1	1	AN 6-34A	Bolt H.H.Steel	4	4
AN 4-34	Bolt H.H.Steel	2	2	AN 6-37A	Bolt H.H.Steel	4	4
AN 4-35	Bolt H.H.Steel	1	1	AN 6-40A	Bolt H.H.Steel	1	1
AN 4-54	Bolt H.H.Steel	1	1	AN 6-43A	Bolt H.H.Steel	2	2
AN 4-4A	Bolt H.H.Steel	12	12	AN 6-47A	Bolt H.H.Steel	10	10
AN 4-5A	Bolt H.H.Steel	177	177	AN 6-50A	Bolt H.H.Steel	2	2
AN 4-6A	Bolt H.H.Steel	196	196	AN 6-53A	Bolt H.H.Steel	18	18
AN 4-7A	Bolt H.H.Steel	267	267	AN 6-57A	Bolt H.H.Steel	8	8
AN 4-10A	Bolt H.H.Steel	102	102	AN 7-7A	Bolt H.H.Steel	2	2
AN 4-11A	Bolt H.H.Steel	126	126	AN 7-11A	Bolt H.H.Steel	2	2
AN 4-12A	Bolt H.H.Steel	34	34	AN 7-12A	Bolt H.H.Steel	4	4
AN 4-13A	Bolt H.H.Steel	54	54	AN 7-14A	Bolt H.H.Steel	2	2
AN 4-14A	Bolt H.H.Steel	36	36	AN 7-15A	Bolt H.H.Steel	2	2
AN 4-15A	Bolt H.H.Steel	11	11	AN 7-17A	Bolt H.H.Steel	2	2
AN 4-17A	Bolt H.H.Steel	5	5	AN 7-20A	Bolt H.H.Steel	2	2

SECTION IV—STANDARD PARTS LIST

PART NUMBER	NOMENCLATURE	TOTAL QUANTITY	ATTACH- ING QUANTITY	PART NUMBER	NOMENCLATURE	TOTAL QUANTITY	ATTACH- ING QUANTITY
AN 9-15	Bolt H.H.St.	2	2	AN 24-22	Bolt Clevis St.	1	1
AN 9-23	Bolt H.H.St.	1	1	AN 24-23	Bolt Clevis St.	1	1
AN 9-30	Bolt H.H.St.	2	2	AN 24-12A	Bolt Clevis St.	28	28
AN 9-32	Bolt H.H.St.	1	1	AN 24-15A	Bolt Clevis St.	2	2
AN 9-33	Bolt H.H.St.	2	2	AN 24-15A	Bolt Clevis St.	2	2
AN 9-37	Bolt H.H.St.	1	1	AN 24-17A	Bolt Clevis	2	2
AN 9-45	Bolt H.H.St.	2	2	AN 24-18A	Bolt Clevis	2	2
AN 9-52	Bolt H.H.St.	1	1	AN 24-20A	Bolt Clevis	2	2
AN 9-55	Bolt H.H.St.	1	1	AN 24-21A	Bolt Clevis	6	6
AN 9-56	Bolt H.H.St.	1	1	AN 24-22A	Bolt Clevis	6	6
AN 12-23A	Bolt H.H.St.	4	4	AN 24-23A	Bolt Clevis	2	2
AN 12-26A	Bolt H.H.St.	2	2	AN 24-25A	Bolt Clevis	4	4
AN 12-27A	Bolt H.H.St.	4	4	AN 24-26A	Bolt Clevis	4	4
AN 14-32A	Bolt H.H.St.	4	4	AN 24-27A	Bolt Clevis	2	2
AN 16-26	Bolt H.H.St.	2	2	AN 24-29A	Bolt Clevis	4	4
AN 23-8	Clevis Bolt St.	8	8	AN 25-21	Bolt Clevis	5	5
AN 23-9	Clevis Bolt St.	7	7	AN 25-25	Bolt Clevis	2	2
AN 23-10	Clevis Bolt St.	27	27	AN 25-29	Bolt Clevis	4	4
AN 23-11	Clevis Bolt St.	4	4	AN 25-12A	Clevis Bolt	2	2
AN 23-12	Clevis Bolt St.	6	6	AN 25-14A	Clevis Bolt	10	10
AN 23-13	Clevis Bolt St.	10	10	AN 25-17A	Clevis Bolt	26	26
AN 23-14	Clevis Bolt St.	11	11	AN 24-29	Bolt Clevis St.	4	4
AN 23-15	Clevis Bolt St.	7	7	AN 44-36	Eye Bolt	1	1
AN 23-16	Clevis Bolt St.	2	2	AN 45-6	Eye Bolt	4	4
AN 23-17	Clevis Bolt St.	2	2	AN 46-10	Eye Bolt	1	1
AN 23-19	Clevis Bolt St.	3	3	AN 48-30	Eye Bolt	1	1
AN 23-24	Clevis Bolt St.	1	1	AN 73-4	Bolt Aircraft Drilled Hd.	8	8
AN 23-25	Clevis Bolt St.	1	1	AN 73-5	Bolt Aircraft Drilled Hd.	10	10
AN 23-36	Clevis Bolt St.	1	1	AN 73-20	Bolt Aircraft Drilled Hd.	1	1
AN 23-54	Clevis Bolt St.	2	2	AN 74-5	Drilled Hd.Bolt	6	6
AN 23-6A	Clevis Bolt	28	28	AN 74-6	Drilled Hd.Bolt	14	14
AN 23-7A	Clevis Bolt	12	12	AN 74-A7	Bolt Drilled Hd. Coarse Thread	12	12
AN 23-9A	Clevis Bolt	58	58	AN 74-30	Bolt Drilled Hd. Coarse Thread	2	2
AN 23-10A	Clevis Bolt	4	4	AN 76-6	Bolt Drilled Hd. Coarse Thread	4	4
AN 23-11A	Clevis Bolt	4	4	AN 76-14	Bolt Drilled Hd. Coarse Thread	4	4
AN 23-12A	Clevis Bolt	119	119	AN 100-5	Thimble	4	0
AN 23-13A	Clevis Bolt	44	44	AN 111-3	Thimble	4	0
AN 23-17A	Clevis Bolt	1	1	AN 111-6	Thimble	2	0
AN 23-18A	Clevis Bolt	39	39	AN 115-8	Shackle	1	1
AN 23-19A	Clevis Bolt	16	16	AN 115-16	Shackle	4	4
AN 23-20A	Clevis Bolt	5	5	AN 115-32	Shackle	2	2
AN 23-21A	Bolt Clevis St.	5	5	AN 155-16S	Barrel Trnbuckle	5	0
AN 23-23A	Bolt Clevis St.	4	4	AN 155-32S	Barrel Trnbuckle	4	0
AN 23-24A	Bolt Clevis St.	4	4	AN 155-46L	Barrel Trnbuckle	2	0
AN 23-27A	Bolt Clevis St.	2	2	AN 165-46L	Eye Turnbuckle	2	0
AN 23-29A	Bolt Clevis St.	2	2	AN 210-1A	Pulley	19	0
AN 23-32A	Bolt Clevis St.	2	2	AN 210-2A	Pulley	14	0
AN 23-40A	Bolt Clevis St.	8	8	AN 210-3A	Pulley	6	0
AN 23-42A	Bolt Clevis St.	18	18	AN 210-4A	Pulley	16	0
AN 23-44A	Bolt Clevis St.	9	9	AN 224-1	Fastener Snap	13	13
AN 23-46A	Bolt Clevis St.	2	2	AN 224-2	Fastener Snap	13	13
AN 24-10	Bolt Clevis St.	1	1	AN 224-3	Fastener Snap	13	13
AN 24-11	Bolt Clevis St.	8	8				
AN 24-14	Bolt Clevis St.	4	4				
AN 24-15	Bolt Clevis St.	1	1				
AN 24-17	Bolt Clevis St.	8	8				
AN 24-19	Bolt Clevis St.	6	6				
AN 24-21	Bolt Clevis St.	2	2				
AN 23-14A	Bolt, Clevis	44	44				

RESTRICTED
AN 01-65BC-4
SECTION IV—STANDARD PARTS LIST

PART NUMBER	NOMENCLATURE	TOTAL QUANTITY	ATTACHING QUANTITY	PART NUMBER	NOMENCLATURE	TOTAL QUANTITY	ATTACHING QUANTITY
AN 224-4	Fastener Snap	4	4	AN 364-328	Nut Stop	92	92
AN 224-B15	Fastener Snap	2	2	AN 364-624	Nut Stop	125	125
AN 225-1	Fastener Snap	5	5	AN 364-624	Nut Stop	82	82
AN 225-2	Fastener Socket	29	29	AN 364-720	Nut Stop	4	4
AN 225-6	Curtain Fastner	28	28	AN 364-820	Nut Stop	2	2
AN 225-8	Curtain Fastner	3	3	AN 364-1032	Nut Stop	376	376
AN 225-9	Curtain Fastner	3	3	AN 364-1216	Nut Stop	12	12
AN 225-11	Curtain Fastner	8	8	AN 364-1414	Nut Stop	4	4
AN 225-13	Curtain Fastner	4	4	AN 365-428	Nut Self-locking	964	964
AN 230-B1	Grommet Plain	8	0	AN 365-B-428	Nut Stop Brass	3	3
AN 230-B2	Grommet	16	0	AN 365-D-428	Nut Stop Dural	4	4
AN 230-B10	Grommet	12	0	AN 365-440	Nut Stop Dural	86	86
AN 230-B3-2	Grommet	28	0	AN 365-B440	Nut Stop Brass	4	4
AN 270-A10	Universal	2	0	AN 365-443	Nut Stop	16	16
AN 270-B10	Universal	2	0	AN 365-524	Nut Stop	275	275
AN 271-B8	Universal	2	0	AN 365-D-524	Nut Stop Dural	1	1
AN 280H204	Woodruff Key	2	0	AN 365-624	Nut Stop	101	101
AN 280H404	Woodruff Key	2	0	AN 365-632	Nut Stop	395	395
AN 286-1	Lubricator	2	0	AN 365-B632	Nut Stop Brass	4	4
AN 310-3	Nut Castle	88	88	AN 365-D632	Nut Stop Dural	1	1
AN 310-4	Nut Castle	94	94	AN 365-640	Nut Stop	16	16
AN 310-5	Nut Castle	51	51	AN 365-720	Nut Stop	17	17
AN 310-6	Nut Castle	34	34	AN 365-832	Nut Stop	843	843
AN 310-8	Nut Castle	1	1	AN 365-836	Nut Stop	46	46
AN 310-9	Nut Castle	11	11	AN 365-1032	Nut Stop	2663	2663
AN 315-3R	Plain Nut	25	25	AN 366-1032	Nut Plain	1	1
AN 315-4H	Plain Nut	2	2	AN 366-F-428	Nut Plate Self-locking	66	66
AN 315-5R	Plain Nut	2	2	AN 366-F-632	Nut Plate Self-locking	90	90
AN 316-4R	Nut Check	92	92	AN 366-F-832	Nut Plate	480	480
AN 316-4L	Nut Check	11	11	AN 366-F-832	Plate Nut Self-locking boots wing style	18	18
AN 316-5R	Nut Check	6	6	AN 366DF-832	Nut Plate Dural	27	27
AN 316-6R	Nut Check	15	15	AN 366-F-1032	Nut Plate Dural	1297	1297
AN 316-7R	Nut Check	32	32	AN 366F-1032	Plate Nut Self-locking boots wing style	153	153
AN 316-8R	Nut Check	16	16	AN 366-DF-1032	Nut Plate Dural	4	4
AN 320-2	Shear Nut	3	3	AN 367-F-832	Nut Plate countersunk	42	42
AN 320-3	Shear Nut	14	14	AN 367-F-1032	Nut Plate countersunk	82	82
AN 320-4	Shear Nut	44	44	AN 367-F-1032	Boot Nut Socville		
AN 320-5	Shear Nut	13	13	AN 372-832	Self Locking nut hex.boots wing style	211	211
AN 320-6	Shear Nut	15	15	AN 372-1032	Self Locking nuts (boots wing style)	441	441
AN 320-7	Shear Nut	2	2				
AN 320-8	Shear Nut	6	6				
AN 320-9	Shear Nut	5	5				
AN 320-12	Shear Nut	5	5				
AN 320-D10	Shear Nut Dural	1	1				
AN 335-B6	Hex M/S Nut Br.	8	8				
AN 340-3	Hex M/S Nut Br.	3	3				
AN 340-6	Hex M/S Nut Br.	5	5				
AN 340-8	Hex M/S Nut Br.	39	39				
AN 345-10	Hex M/S Nut Br.	1	1				
AN 350-4	Wing Nut	3	3				
AN 360-3	Engine Nut	4	4				
AN 360-1032	Self Locking Nut Metallic	1	1				

RESTRICTED
AN 01-65BC-4

SECTION IV—STANDARD PARTS LIST

PART NUMBER	NOMENCLATURE	TOTAL QUANTITY	ATTACH-ING QUANTITY	PART NUMBER	NOMENCLATURE	TOTAL QUANTITY	ATTACH-ING QUANTITY
AN 380-2-2	Cotter Pin	583	583	AN 394-31	Clevis Pin	2	2
AN 380-02-2	Stainless St., Cotter Pin	10	10	AN 394-33	Clevis Pin	2	2
AN 380-2-4	Cotter Pin	6	6	AN 394-35	Clevis Pin	6	6
AN 380-2-5	Cotter Pin	2	2	AN 394-37	Clevis Pin	2	2
AN 380-2-7	Cotter Pin	5	5	AN 395-19	Clevis Pin	2	2
AN 380-3-2	Cotter Pin	1	1	AN 396-19	Clevis Pin	1	1
AN 380-3-3	Cotter Pin	66	66	AN 397-33	Clevis Pin	3	3
AN 380-3-4	Cotter Pin	4	4	AN 397-35	Clevis Pin	1	1
AN 380-3-6	Cotter Pin	2	2	AN 398-33	Clevis Pin	2	2
AN 380-4-4	Cotter Pin	20	20	AN 402-33	Clevis Pin	1	1
AN 380-4-5	Cotter Pin	2	2	AN 415-10	Lock Pin	2	2
AN 380-4-6	Cotter Pin	8	8	AN 416-2	Lock Pin	6	6
AN 380-4-7	Cotter Pin	5	5	AN 481-1	Clevis Rod End	1	0
AN 380-4-8	Cotter Pin	1	1	AN 481-2	Clevis Rod End	2	0
AN 385-10-10	Taper Pin	1	1	AN 481-3	Clevis Rod End	6	0
AN 385-20-7	Taper Pin	3	3	AN 481-4	Clevis Rod End	16	0
AN 385-30-7	Taper Pin	4	4	AN 486-3	Clevis Rod End	4	0
AN 386-1-6	Taper Pin	13	13	AN 486-4	Clevis Rod End	7	0
AN 386-3-8	Taper Pin	1	1	AN 490-6	Rod End	37	0
AN 386-1-8A	Taper Pin	15	15	AN 500-8-6	Screw	8	8
AN 386-1-9A	Taper Pin	14	14	AN 500-8-10	Screw	8	8
AN 386-1-10A	Taper Pin	5	5	AN 500-8-12	Screw	6	6
AN 386-2-14A	Taper Pin	8	8	AN 500-A6-3	Screw	4	4
AN 386-2-15A	Taper Pin	4	4	AN 500-C4-6	Screw	8	8
AN 386-2-16A	Taper Pin	4	4	AN 501-10-10	Screw	8	8
AN 386-2-18A	Taper Pin	2	2	AN 501-10-14	Screw	12	12
AN 386-2-19A	Taper Pin	3	3	AN 501-416-18	Screw	2	2
AN 386-2-20A	Taper Pin	1	1	AN 501-A10-12	Screw	8	8
AN 392-9	Clevis Pin	1	1	AN 501-A-416-22	Screw	1	1
AN 392-11	Clevis Pin	2	2	AN 502-6-4	Screw	4	4
AN 392-15	Clevis Pin	6	6	AN 502-10-6	Screw	8	8
AN 392-17	Clevis Pin	1	1	AN 502-10-8	Screw	21	21
AN 392-21	Clevis Pin	1	1	AN 502-10-10	Screw	19	19
AN 392-23	Clevis Pin	2	2	AN 502-10-12	Screw	88	88
AN 392-25	Clevis Pin	37	37	AN 502-10-14	Screw	8	8
AN 392-27	Clevis Pin	2	2	AN 503-8-6	Screw	8	8
AN 392-31	Clevis Pin	3	3	AN 503-8-8	Screw	3	3
AN 392-49	Clevis Pin	1	1	AN 503-10-8	Screw	14	14
AN 392-51	Clevis Pin	1	1	AN 505-4-6	Screw	40	40
AN 393-11	Clevis Pin	6	6	AN 505-4-8	Screw	4	4
AN 393-17	Clevis Pin	1	1	AN 505-4-16	Screw	8	8
AN 393-21	Clevis Pin	2	2	AN 505-6-6	Screw	3	3
AN 393-25	Clevis Pin	2	2	AN 505-6-7	Screw	2	2
AN 393-27	Clevis Pin	108	108	AN 505-6-8	Screw	14	14
AN 393-29	Clevis Pin	3	3	AN 505-6-10	Screw	1	1
AN 393-31	Clevis Pin	2	2	AN 505-6-14	Screw	1	1
AN 393-33	Clevis Pin	1	1	AN 505-8-5	Screw	24	24
AN 393-35	Clevis Pin	8	8	AN 505-8-6	Screw	11	11
AN 393-37	Clevis Pin	2	2	AN 505-8-7	Screw	9	9
AN 393-39	Clevis Pin	4	4	AN 505-8-8	Screw	10	10
AN 393-49	Clevis Pin	16	16	AN 505-8-10	Screw	46	46
AN 393-67	Clevis Pin	6	6	AN 505-8-20	Screw	2	2
AN 394-17	Clevis Pin	8	8	AN 505-8-36	Screw	3	3
AN 394-29	Clevis Pin	6	6	AN 505-B4-3	Screw	3	3
				AN 505-B4-6	Screw	2	2
				AN 505-B616-24	Screw	2	2

RESTRICTED
AN 01-65BC-4
SECTION IV—STANDARD PARTS LIST

PART NUMBER	NOMENCLATURE	TOTAL QUANTITY	ATTACH- ING QUANTITY	PART NUMBER	NOMENCLATURE	TOTAL QUANTITY	ATTACH- ING QUANTITY
AN 505-D8-10	Screw	3	3	AN 520-6-5	Screw	8	8
AN 510-10-6	Screw	27	27	AN 520-8-14	Screw	4	4
AN 510-10-7	Screw	1	1	AN 520-8-16	Screw	2	2
AN 510-10-8	Screw	8	8	AN 520-10-6	Screw	14	14
AN 510-10-10	Screw	6	6	AN 520-10-7	Screw	51	51
AN 510-10-12	Screw	3	3	AN 520-10-8	Screw	148	148
AN 510-10-14	Screw	1	1	AN 520-10-10	Screw	122	122
AN 510-10-20	Screw	2	2	AN 520-10-12	Screw	13	13
AN 510-10-26	Screw	4	4	AN 520-10-14	Screw	28	28
AN 510-C6-7	Screw	16	16	AN 520-10-16	Screw	19	19
AN 510-C10-7	Screw	22	22	AN 520-10-18	Screw	8	8
AN 510-C10-8	Screw	130	130	AN 520-10-22	Screw	2	2
AN 510-C10-12	Screw	8	8	AN 520-10-26	Screw	5	5
AN 510-C416-40	Screw	6	6	AN 520-10-28	Screw	4	4
AN 515-3-6	Screw	3	3	AN 520-10-40	Screw	2	2
AN 515-4-5	Screw	10	10	AN 520-416-10	Screw	6	6
AN 515-4-6	Screw	20	20	AN 520-416-16	Screw	1	1
AN 515-4-7	Screw	18	18	AN 520-B10-8	Screw	1	1
AN 515-4-8	Screw	8	8	AN 520-B10-12	Screw	4	4
AN 515-4-10	Screw	2	2	AN 520-B10-14	Screw	1	1
AN 515-4-16	Screw	4	4	AN 520-B10-32	Screw	1	1
AN 515-5-12	Screw	3	3	AN 520-B416-8	Screw	1	1
AN 515-6-4	Screw	15	15	AN 520-B416-10	Screw	2	2
AN 515-6-5	Screw	5	5	AN 520-C10-8	Screw	90	90
AN 515-6-6	Screw	86	86	AN 520-C10-10	Screw	4	4
AN 515-6-7	Screw	6	6	AN 520-C416-16	Screw	1	1
AN 515-6-8	Screw	74	74	AN 525-8-6	Screw	3	3
AN 515-6-10	Screw	19	19	AN 525-8-7	Screw	35	35
AN 515-6-12	Screw	4	4	AN 525-8-8	Screw	2	2
AN 515-6-14	Screw	8	8	AN 525-8-10	Screw	24	24
AN 515-6-16	Screw	18	18	AN 525-8-12	Screw	6	6
AN 515-6-18	Screw	2	2	AN 525-8-14	Screw	15	15
AN 515-6-20	Screw	8	8	AN 525-8-18	Screw	8	8
AN 515-6-24	Screw	6	6	AN 525-10-6	Screw	44	44
AN 515-6-36	Screw	1	1	AN 525-10-7	Screw	106	106
AN 515-6-40	Screw	1	1	AN 525-10-8	Screw	251	251
AN 515-8-5	Screw	9	9	AN 525-10-9	Screw	349	349
AN 515-8-6	Screw	46	46	AN 525-10-10	Screw	288	288
AN 515-8-7	Screw	210	210	AN 525-10-12	Screw	8	8
AN 515-8-8	Screw	342	342	AN 525-10-14	Screw	5	5
AN 515-8-10	Screw	177	177	AN 525-10-20	Screw	2	2
AN 515-8-12	Screw	53	53	AN 525-10-22	Screw	4	4
AN 515-8-14	Screw	8	8	AN 525-416-6	Screw	2	2
AN 515-8-16	Screw	8	8	AN 525-416-28	Screw	1	1
AN 515-8-20	Screw	2	2	AN 525-D10-10	Screw	3	3
AN 515-8-24	Screw	3	3	AN 526-632-5	Screw	8	8
AN 515-8-28	Screw	2	2	AN 526-632-6	Screw	26	26
AN 515-8-40	Screw	2	2	AN 526-632-7	Screw	4	4
AN 515-8-48	Screw	4	4	AN 526-632-10	Screw	2	2
AN 515-10-14	Screw	1	1	AN 526-832-6	Screw	64	64
AN 515-B4-3	Screw	1	1	AN 526-832-7	Screw	70	70
AN 515-B4-5	Screw	2	2	AN 526-832-8	Screw	98	98
AN 515-B6-6	Screw	2	2	AN 526-832-9	Screw	28	28
AN 515-B6-8	Screw	4	4	AN 526-832-10	Screw	6	6
AN 515-B8-8	Screw	4	4	AN 526-832-12	Screw	4	4
AN 515-B616-28	Screw	1	1	AN 526-832-20	Screw	1	1
AN 515-D8-12	Screw	1	1	AN 526-832-30	Screw	1	1
				AN 526-1032-6	Screw	16	16

RESTRICTED
AN 01-658C-4
SECTION IV—STANDARD PARTS LIST

PART NUMBER	NOMENCLATURE	TOTAL QUANTITY	ATTACHING QUANTITY	PART NUMBER	NOMENCLATURE	TOTAL QUANTITY	ATTACHING QUANTITY
AN 526-1032-7	Screw	64	64	AN 741-7	Tube Clamp	2	0
AN 526-1032-8	Screw	96	96	AN 741-10	Tube Clamp	1	0
AN 526-1032-9	Screw	10	10	AN 741-11	Tube Clamp	1	0
AN 526-1032-10	Screw	279	279	AN 741-12	Tube Clamp	1	0
AN 526-1032-12	Screw	9	9	AN 741-T12-P	Tube Clamp	1	0
AN 526-1032-36	Screw	2	2	AN 741-13	Tube Clamp	4	0
AN 526-C832-7	Screw	36	36	AN 741-14	Tube Clamp	7	0
AN 526-C832-8	Screw	14	14	AN 741-T14	Tube Clamp	1	0
AN 526-C832-10	Screw	20	20	AN 741-15	Tube Clamp	1	0
AN 526-C1032-6	Screw	15	15	AN 741-T15-P	Tube Clamp	4	0
AN 526-C1032-7	Screw	128	128	AN 741-16	Tube Clamp	1	0
AN 526-C1032-8	Screw	96	96	AN 745-5A	Tube Clamp	18	18
AN 526-C1032-10	Screw	30	30	AN 745-1B	Tube Clamp	8	0
AN 526-DD832-22	Screw	4	4	AN 746	Adjustable Clamp	10	0
AN 526-DD832-24	Screw	2	2	AN 750-6	Clip	1	0
AN 530-2-4	Screw	19	19	AN 755-4	Clip	4	0
AN 530-4-4	Screw	6	6	AN 755-5	Clip	4	0
AN 530-4-8	Screw	10	10	AN 755-11	Clip	2	0
AN 530-6-6	Screw	8	8	AN 755-26	Clip	4	0
AN 530-8-6	Screw	4	4	AN 770-1	Drain Cook	4	0
AN 530-8-8	Screw	15	15	AN 770-3	Drain Cook	1	0
AN 530-9-10	Screw	9	9	AN 771-1	Drain Cook	3	0
AN 530-10-10	Screw	2	2	AN 811-BT-4	Nut	4	4
AN 530-6-6	Screw	26	26	AN 811-BT-4D	Nut	252	252
AN 535-0-3	Screw	20	20	AN 811-BT-5D	Nut	32	32
AN 535-00-2	Screw	4	4	AN 811-BT-6D	Nut	54	54
AN 535-00-3	Screw	6	6	AN 811-BT-8D	Nut	83	83
AN 535-2-2	Screw	4	4	AN 811-BT-10D	Nut	3	3
AN 535-2-5	Screw	46	46	AN 811-BT-12D	Nut	19	19
AN 535-2-4	Screw	36	36	AN 811-BT-16D	Nut	3	3
AN 535-4-4	Screw	38	38	AN 811-CT-4	Elbow	2	0
AN 535-4-6	Screw	2	2	AN 811-CT-4D	Elbow	12	0
AN 535-6-4	Screw	13	13	AN 811-CT-45°4D	Elbow	5	0
AN 535-6-6	Screw	4	4	AN 811-CT-6D	Elbow	1	0
AN 566-C8-4	Screw	1	1	AN 811-CT-45°6D	Elbow	2	0
AN 566-C8-8	Screw	2	2	AN 811-CT-8D	Elbow	1	0
AN 566-D4-3	Screw	2	2	AN 811-CT-16D	Elbow	1	0
AN 666-4 L.H.	Terminal	1	0	AN 811-ET-5D	Elbow	2	0
AN 666-4 R.H.	Terminal	1	0	AN 811-ET-8D	Elbow	3	0
AN 667-6	Terminal	2	0	AN 811-FT-4D	Nipple	21	0
AN 669-S3LH	Terminal	2	0	AN 811-FT-6D	Connector	5	0
AN 669-L6LH	Terminal	2	0	AN 811-FT-8D	Nipple	1	0
AN 735-6	Bonding Clamp	15	0	AN 811-FT-10D	Nipple	1	0
AN 735-8	Bonding Clamp	2	0	AN 811-FT-12D	Nipple	1	0
AN 735-10	Bonding Clamp	2	0	AN 811-FT-16D	Nipple	1	0
AN 735-12	Bonding Clamp	3	0	AN 811-FT-16-12D	Nipple	1	0
AN 735-18	Bonding Clamp	2	0	AN 811-HT-4D	Union	24	0
AN 735-20	Bonding Clamp	16	0	AN 811-HT-6D	Union	3	0
AN 735-24	Bonding Clamp	2	0	AN 811-HT-8D	Union	9	0
AN 735-26	Bonding Clamp	3	0	AN 811-HT-10D	Union	1	0
AN 735-28	Bonding Clamp	1	0	AN 811-HT-12D	Union	4	0
AN 735-32	Bonding Clamp	8	0	AN 811-JT-4D	Tee	5	0
AN 740-14	Tube Clamp	2	0	AN 811-JT-6D	Tee	2	0
AN 741-5	Tube Clamp	1	0	AN 811-JT-8D	Tee	6	0
AN 811-RT-4D	Tee	1	0	AN 811-MT-12D	Tee	1	0
				AN 811-OT-4D	Tee	2	0
				AN 811-RT-6D	Tee	1	0

SECTION IV—STANDARD PARTS LIST

PART NUMBER	NOMENCLATURE	TOTAL QUANTITY	ATTACHING QUANTITY	PART NUMBER	NOMENCLATURE	TOTAL QUANTITY	ATTACHING QUANTITY
AN 811-ST-4	Elbow	1	0	AN 842-8D	Elbow	3	0
AN 811-T4-CS	Sleeve	166	0	AN 842-12D	Elbow	1	0
AN 811-T5-CS	Sleeve	32	0	AN 842-16D	Elbow	3	0
AN 811-T6-CS	Sleeve	54	0	AN 842-21D	Elbow	3	0
AN 811-T8-CS	Sleeve	95	0	AN 844-4D-45°	Elbow	2	0
AN 811-T10-CS	Sleeve	3	0	AN 844-6D-45°	Elbow	1	0
AN 811-T12-CS	Sleeve	19	0	AN 844-8D-45°	Elbow	2	0
AN 811-T16-CS	Sleeve	2	0	AN 844-10D-45°	Elbow	1	0
AN 815-5D	Union	4	0	AN 844-12D-45°	Elbow	1	0
AN 816-4D	Nipple	14	0	AN 844-21D-45°	Elbow	3	0
AN 816-6D	Connector	2	0	AN 867-1	Flange	5	0
AN 816-10D	Nipple	1	0	AN 867-2	Flange	1	0
AN 818-5D	Nut	48	48	AN 867-3	Flange	2	0
AN 819-5	Sleeve	48	0	AN 867-6	Flange	1	0
AN 819-5D	Sleeve	48	0	AN 884-4-6	Hose	4	0
AN 820-4	Cap	2	0	AN 884-4-8	Hose	4	0
AN 820-5	Cap	1	0	AN 884-4-12	Hose	21	0
AN 821-5D	Elbow	2	0	AN 884-6-12	Hose	4	0
AN 822-4D	Elbow	2	0	AN 884-8-12	Hose	19	0
AN 822-5D	Elbow	5	0	AN 884-10-15	Hose	1	0
AN 822-6D	Elbow	1	0	AN 884-12-12	Hose	4	0
AN 823-4D-45°	Elbow	1	0	AN 884-16-12	Hose	2	0
AN 823-6D-45°	Elbow	1	0	AN 884-16-14	Hose	7	0
AN 824-5D	Tee	3	0	AN 884-16-20	Hose	1	0
AN 825-5D	Tee	1	0	AN 884-20-15	Hose	13	0
AN 826-6D	Tee	1	0	AN 884-24-16	Hose	3	0
AN 827-5D	Cross	1	0	AN 884-32-12	Hose	1	0
AN 831-4D	Nut	1	1	AN 884-32-14	Hose	5	0
AN 831-8D	Nut	2	2	AN 884-40-11	Hose	1	0
AN 840-4D	Nipple	2	0	AN 895-20-45°	Elbow	1	0
AN 840-8D	Nipple	2	0	AN 895-60	Nipple	2	0
AN 840-12D	Nipple	1	0	AN 895-B70	Plug	4	0
AN 840-16D	Nipple	3	0	AN 900-10	Gasket	1	0
AN 842-4D	Elbow	3	0	AN 900-24	Gasket	1	0
AN 842-6D	Elbow	1	0	AN 905-B10	Plug	1	0
AN 842-8D	Elbow	3	0	AN 911-1D	Nipple	1	0
AN 842-12D	Elbow	1	0	AN 911-2D	Nipple	1	0
AN 842-16D	Elbow	3	0	AN 911-3D	Nipple	3	0
AN 842-21D	Elbow	3	0	AN 912-1D	Bushing	6	0
AN 844-4D-45°	Elbow	2	0	AN 912-2D	Bushing	2	0
AN 844-6D-45°	Elbow	1	0	AN 912-3D	Bushing	1	0
AN 844-8D-45°	Elbow	2	0	AN 912-5D	Bushing	1	0
AN 844-10D-45°	Elbow	1	0	AN 912-6D	Bushing	1	0
AN 844-12D-45°	Elbow	1	0	AN 912-8D	Bushing	1	0
AN 844-21D-45°	Elbow	3	0	AN 914-1D	Elbow	1	0
AN 867-1	Flange	5	0	AN 914-2D	Elbow	2	0
AN 867-2	Flange	1	0	AN 915-1D-45°	Elbow	3	0
AN 867-3	Flange	2	0	AN 917-2D	Tee	1	0
AN 826-6D	Tee	1	0	AN 917-3D	Tee	1	0
AN 827-5D	Cross	1	0	AN 917-4D	Tee	1	0
AN 831-4D	Nut	1	1	AN 918-1D	Cross	1	0
AN 831-8D	Nut	2	2	AN 918-3D	Cross	1	0
AN 840-4D	Nipple	2	0	AN 931-3-5	Grommet	2	0
AN 840-8D	Nipple	2	0	AN 931-4-7	Grommet	9	0
AN 840-12D	Nipple	1	0	AN 931-4-16	Grommet	9	0
AN 840-16D	Nipple	3	0	AN 931-5-9	Grommet	8	0
AN 842-4D	Elbow	3	0	AN 931-6-12	Grommet	11	0
AN 842-6D	Elbow	1	0	AN 931-6-10	Grommet	20	0

RESTRICTED

AN 01-658C-4

SECTION IV—STANDARD PARTS LIST

PART NUMBER	NOMENCLATURE	TOTAL QUANTITY	ATTACH- ING QUANTITY	PART NUMBER	NOMENCLATURE	TOTAL QUANTITY	ATTACH- ING QUANTITY
AN 931-7-11	Grommet	17	0	AN 960-A516	Washer	1	1
AN 931-9-13	Grommet	10	0	AN 960-A716	Washer	8	8
AN 931-9-13	Grommet	3	0	AN 960-A916	Washer	10	10
AN 931-10-14	Grommet	13	0	AN 960-B6	Washer	2	2
AN 931-12-17	Grommet	10	0	AN 960-B8	Washer	2	2
AN 931-12-23	Grommet	1	0	AN 960-B10	Washer	6	6
AN 931-14-20	Grommet	5	0	AN 960-B516	Washer	6	6
AN 931-16-22	Grommet	1	0	AN 960-C10	Washer	8	8
AN 931-24-28	Grommet	3	0	AN 960-C416	Washer	42	42
AN 935-4	Lock Washer	1	1	AN 960-C416L	Washer	12	12
AN 935-6	Lock Washer	20	20	AN 960-C1016	Washer	4	4
AN 935-8	Lock Washer	12	12	AN 960-C1216	Washer	20	20
AN 935-10	Lock Washer	16	16	AN 960-C1416	Washer	8	8
AN 935-416	Lock Washer	1	1	AN 960-D3	Washer	18	18
AN 935-516	Lock Washer	16	16	AN 960-D4	Washer	36	36
AN 935-4L	Lock Washer	8	8	AN 960-D6	Washer	93	93
AN 935-8L	Lock Washer	12	12	AN 960-D8	Washer	348	348
AN 936-A3	Lock Washer	3	3	AN 960-D10	Washer	1174	1174
AN 936-A6	Washer	2	2	AN 960-D416	Washer	408	408
AN 936-B6	Washer	8	8	AN 960-D516	Washer	273	273
AN 936-A8	Washer	13	13	AN 960-D616	Washer	177	177
AN 936-B8	Washer	41	41	AN 960-D716	Washer	12	12
AN 936-A10	Washer	5	5	AN 960-D816	Washer	2	2
AN 936-B10	Washer	2	2	AN 960-D1216	Washer	5	5
AN 936-C10	Washer	2	2	AN 960-D1716	Washer	1	1
AN 936-A416	Washer	2	2	AN 970-3	Washer	10	10
AN 940-7	Washer	4	4	AN 970-6	Washer	1	1
AN 940-9	Washer	4	4	AN 975-2	Washer	3	3
AN 940-D9	Washer	4	4	AN 975-3	Washer	68	68
AN 940-C11	Washer	2	2	AN 975-4	Washer	1	1
AN 940-A316	Washer	4	4	AN 996-10	Lock Ring	1	1
AN 940-D316	Washer	2	2	AN 996-20	Lock Ring	2	2
AN 940-416	Washer	12	12	AN 996-20	Lock Ring	2	2
AN 940-D416	Washer	3	3	AN 3050-3	Ferrule	2	0
AN 940-516	Washer	2	2	AN 3050-4	Ferrule	4	0
AN 945-6	Washer	2	2	AN 3050-6	Ferrule	8	0
AN 960-3	Washer	52	52	AN 3050-8	Ferrule	6	0
AN 960-4	Washer	165	165	AN 3050-10	Ferrule	4	0
AN 960-6	Washer	141	141	AN 3050-12	Ferrule	2	0
AN 960-8	Washer	338	338	AN 3050-16	Ferrule	12	0
AN 960-10	Washer	813	813	AN 3050-20	Ferrule	2	0
AN 960-10L	Washer	585	585	AN 3050-24	Ferrule	2	0
AN 960-416	Washer	453	453	AN 3051-3	Ferrule	10	0
AN 960-416L	Washer	145	145	AN 3051-4	Ferrule	7	0
AN 960-516	Washer	124	124	AN 3051-6	Ferrule	9	0
AN 960-516L	Washer	95	95	AN 3051-8	Ferrule	1	0
AN 960-616	Washer	58	58	AN 3051-10	Ferrule	3	0
AN 960-716	Washer	13	13	AN 3051-16	Ferrule	1	0
AN 960-816	Washer	7	7	AN 3052-6	Ferrule	1	0
AN 960-916	Washer	23	23	AN 3052-8	Ferrule	2	0
AN 960-1016	Washer	2	2	AN 3053-3	Ferrule	3	0
AN 960-1216	Washer	2	2	AN 3053-12	Ferrule	7	0
AN 960-1616	Washer	3	3	AN 3053-16	Ferrule	8	0
AN 960-A8	Washer	4	4	AN 3053-20	Ferrule	2	0
AN 960-A10	Washer	30	30	AN 3053-24	Ferrule	2	0

RESTRICTED
AN 01-65BC-4
SECTION IV—STANDARD PARTS LIST

PART NUMBER	NOMENCLATURE	TOTAL QUANTITY	ATTACHING QUANTITY	PART NUMBER	NOMENCLATURE	TOTAL QUANTITY	ATTACHING QUANTITY
AN3054-3	Nut	5	5	FA-5-40	Fastener	24	24
AN3054-4	Nut	10	10	FA-5-45	Fastener	58	58
AN3054-6	Nut	16	16	FA-5-50	Fastener	24	24
AN3054-8	Nut	14	14	FA-5-55	Fastener	52	52
AN3054-10	Nut	6	6	FA-5-60	Fastener	6	6
AN3054-12	Nut	15	15	FA-5-70	Fastener	2	2
AN3054-16	Nut	21	21	FA-6 $\frac{1}{2}$ -50	Fastener	83	83
AN3054-20	Nut	3	3	FA-6 $\frac{1}{2}$ -65	Fastener	48	48
AN3054-24	Nut	2	2	FA-6 $\frac{1}{2}$ -70	Fastener	2	0
AN3056-20	Coupling	2	0	FB-4A	Clamp	46	0
AN3056-24	Coupling	2	0	FB-6A	Clamp	8	0
AN3058-3	Coupling	1	0	FB-8A	Clamp	41	0
AN3058-10	Coupling	2	0	FB-10A	Clamp	4	0
AN3058-12	Coupling	4	0	FB-12A	Clamp	12	0
AN3058-16	Coupling	3	0	FB-16A	Clamp	21	0
AN3060-6	Coupling	3	0	FB-20A	Clamp	40	0
AN3060-16-45°	Coupling	1	0	FB-28A	Clamp	19	0
AN3062-3	Coupling	1	0	FB-36A	Clamp	4	0
AN3062-6	Coupling	2	0	FB-44A	Clamp	7	0
AN3062-12	Coupling	1	0	FB-60A	Clamp	2	0
AN3062-16	Coupling	1	0	NAF-1131-35	Circuit Breaker	4	0
AN3064-3	Connector	1	0	NAF-1131-40	Circuit Breaker	2	0
AN3064-4	Connector	4	0	NAF-1131-15	Circuit Breaker	3	0
AN3064-6	Connector	3	0	NAF-1131-20	Circuit Breaker	3	0
AN3064-8	Nut	4	4	NAF-1131-30	Circuit Breaker	1	0
AN3064-10	Nut	2	2	NAF-1149-3	Coupling - 90°	2	0
AN3064-12	Nut	4	4	NAF-1149-6	Coupling - 90°	2	0
AN3064-16	Nut	3	3	NAF-1149-8	Coupling - 90°	1	0
AN3066-3	Lock Nut	4	4	NAF-1149-10	Coupling - 90°	1	0
AN3066-4	Lock Nut	4	4	NAF-1149-16	Coupling - 90°	5	0
AN3066-6	Lock Nut	12	12	S-3-4-4	Screw	12	12
AN3066-8	Lock Nut	7	7	S-3-8-5	Screw	2	2
AN3066-10	Lock Nut	5	5	S-3-8-6	Screw	4	4
AN3066-12	Lock Nut	9	9	S-3-8-10	Screw	1	1
AN3066-16	Lock Nut	15	15	S-16-D3-103	Rivet	4	4
AN3068-4	Coupling	1	0	S-18-4	Chain	20	0
AN3106-10S-2S	Plug with #16 pin	8	0	S-18-8	Chain	11	0
AN3106-12S-3S	Plug	2	0	S-35-1	Fork End Assem.	1	0
AN3106-14S-1S	Plug	3	0	S-35-2	Fork End Assem.	12	0
AN3106-14S-2S	Plug	1	0	S-36-1-KS5	Fork End Assem.		
AN3106-14S-5S	Plug	1	0		Push Rod	12	0
AN3106-14S-6P	Plug	1	0	S-37-1	Push Rod	12	0
AN3106-16S-4P	Plug	1	0	S-42-8-12	Screw	1	1
AN3106-16S-4S	Plug	2	0	S-42-10-12	Screw	119	119
AN3106-18-2S	Plug	1	0	S-45-1	Block	3	0
AN3106-18-5S	Plug	1	0	S-45-2	Block	8	0
AN3106-18-10S	Plug	1	0	S-45-3	Block	7	0
AN3106-28-9S	Plug	2	0	S-45-4	Block	2	0
AN3106-36-1S	Plug	1	0	S-45-5	Block	5	0
AN3108-10S-2S	Plug-Elect. 90°	2	0	S-45-6	Block	2	0
AN3108-12S-3S	Plug	2	0	S-46-7	Block	1	0
AN6227-12	Packing Ring	4	0	S-45-10	Block	1	0
AN6227-15	Packing Ring	4	0	S-45-12	Block	2	0
AN7510-1	Instruction Plate	9	0	S-46-1	Insulator	3	0
AN7510-2	Instruction Plate	1	0	S-46-2	Insulator	2	0
AN8002-2	Grip Control Stick	1	0	S-46A-2	Insulator	1	0
				S-46-3	Insulator	7	0
				S-46-4	Insulator	2	0
				S-46-5	Insulator	3	0
				S-46A-5	Insulator	2	0
				S-46-6	Insulator	1	0
				S-46-7	Insulator	2	0

RESTRICTED
AN 01-65BC-4
SECTION IV—STANDARD PARTS LIST

PART NUMBER	NOMENCLATURE	TOTAL QUANTITY	ATTACH-ING QUANTITY	PART NUMBER	NOMENCLATURE	TOTAL QUANTITY	ATTACH-ING QUANTITY
S-46-10	Insulator	1	0	S-138	Cable Guide	6	0
S-46-12	Insulator	1	0	S-161-3	Clamp Elec. Cable	10	0
S-46A-12	Insulator	1	0	S-161-4	Clamp Elec. Cable	3	0
S-47-1/4	Connector Block Spacer	2	0	S-161-6	Clamp Elec. Cable	4	0
S-47-1/2	Connector Block Spacer	4	0	S-161-8	Clamp Elec. Cable	2	0
S-47-7/8	Connector Block Spacer	3	0	S-161-10	Clamp Elec. Cable	3	0
S-47-1	Connector Block Spacer	6	0	S-161-24	Clamp Elec. Cable	1	0
S-48-2	Buss. Bar-Elec. Conn. Block	1	0	S-166-1	Angle-Clip Attach.	14	0
S-52-6-1	Screw	161	161	S-166-2	Angle-Clip Attach.	2	0
S-52-6-2	Screw	46	46	S-174-A-3-6	Conduit Assem.	1	0
S-52-6-7	Screw	3	3	S-174-A-4-8	Conduit Assem.	1	0
S-52-6-10	Screw	2	2	S-174-A-8-30	Conduit Assem.	1	0
S-52-6-12	Screw	6	6	S-174-A-10-17	Conduit Assem.	1	0
S-52-8-1	Screw	112	112	S-174A-12-68	Conduit Assem.	1	0
S-52-8-2	Screw	108	108	S-174A-16-9	Conduit Assem.	1	0
S-52-8-3	Screw	144	144	S-174A-16-17	Conduit Assem.	1	0
S-52-8-4	Screw	6	6	S-174A-16-22	Conduit Assem.	1	0
S-52-8-5	Screw	5	5	S-174A-16-23	Conduit Assem.	1	0
S-52-8-6	Screw	3	3	S-174A-20-6	Conduit Assem.	1	0
S-52-8-7	Screw	12	12	S-174-24-7-3/8	Conduit Assem.	1	0
S-52-8-8	Screw	54	54	S-175A-4-51	Conduit Assem.	1	0
S-52-8-9	Screw	7	7	S-175A-4-65	Conduit Assem.	1	0
S-52-8-12	Screw	2	2	S-175A-10-16	Conduit Assem.	1	0
S-52-10-1	Screw	82	82	S-177A-4-23	Conduit Assem.	1	0
S-52-10-2	Screw	182	182	S-177A-4-29	Conduit Assem.	1	0
S-52-10-3	Screw	98	98	S-177A-6-4-1/2	Conduit Assem.	1	0
S-52-10-4	Screw	45	45	S-177A-6-16	Conduit Assem.	1	0
S-52-10-5	Screw	14	14	S-177A-6-19	Conduit Assem.	1	0
S-52-10-6	Screw	20	20	S-177A-6-25	Conduit Assem.	1	0
S-52-10-7	Screw	58	58	S-177A-6-29	Conduit Assem.	1	0
S-52-10-8	Screw	90	90	S-177A-6-40	Conduit Assem.	1	0
S-52-10-9	Screw	26	26	S-177A-6-74	Conduit Assem.	1	0
S-52-10-10	Screw	115	115	S-177A-8-40	Conduit Assem.	1	0
S-52-10-11	Screw	61	61	S-177A-10-13	Conduit Assem.	1	0
S-52-10-12	Screw	24	24	S-177A-10-20	Conduit Assem.	1	0
S-52-10-13	Screw	11	11	S-177A-16-40	Conduit Assem.	1	0
S-52-10-14	Screw	2	2	S-178A-6-75	Conduit Assem.	1	0
S-52-10-16	Screw	2	2	S-178A-8-8	Conduit Assem.	1	0
S-52-10-20	Screw	18	18	S-179A-6-32	Conduit Assem.	1	0
S-52-10-24	Screw	5	5	S-180A-14	Conduit Assem.	2	0
S-52-416-3	Screw	16	16	S-182-2	Ferrule	4	0
S-52-416-4	Screw	4	4	S-182-3	Ferrule	8	0
S-52-416-6	Screw	14	14	S-182-4	Ferrule	8	0
S-52-416-8	Screw	12	12	S-186	Conduit Fitting	1	0
S-52-416-10	Screw	8	8	S-187	Filler	1	0
S-52-416-13	Screw	4	4	S-189-1	Eye Bolt-Fured End	2	0
S-52-416-16	Screw	6	6				
S-128-2	Support	82	0				
S-128-3	Support	112	0				
S-132	Cable Guide	2	0				

RESTRICTED
AN 01-65BC-4
SECTION IV—STANDARD PARTS LIST

PART NUMBER	NOMENCLATURE	TOTAL QUANTITY	ATTACH-ING QUANTITY	PART NUMBER	NOMENCLATURE	TOTAL QUANTITY	ATTACH-ING QUANTITY
S-9721-1-3/32	Spacer	2	0	S-9788	Gang Nut Channel	4	0
S-9721-1-1/8	Spacer	2	0	S-9789	Gang Nut Channel	4	0
S-9721-1-5/32	Spacer	10	0	S-9790-4A-4	Tube Assembly	1	0
S-9721-1-3/16	Spacer	4	0	S-9790-4A-5	Tube Assembly	1	0
S-9721-2-5/16	Spacer	1	0	S-9790-4A-6	Tube Assembly	1	0
S-9721-3-.051	Spacer	4	0	S-9790-4A-8	Tube Assembly	4	0
S-9721-3-3/32	Spacer	4	0	S-9790-4A-9	Tube Assembly	1	0
S-9721-3-.102	Spacer	2	0	S-9790-4A-10	Tube Assembly	2	0
S-9721-3-11/64	Spacer	4	0	S-9790-4B-10	Tube Assembly	2	0
S-9721-3-3/16	Spacer	4	0	S-9790-4A-13	Tube Assembly	3	0
S-9721-3-7/32	Spacer	8	0	S-9790-4B-13	Tube Assembly	1	0
S-9721-3-1/4	Spacer	10	0	S-9790-4A-14	Tube Assembly	2	0
S-9721-3-.281	Spacer	4	0	S-9790-4B-14	Tube Assembly	1	0
S-9721-4-5/32	Spacer	11	0	S-9790-4A-16	Tube Assembly	2	0
S-9721-4-.182	Bushing	8	0	S-9790-4A-16½	Tube Assembly	2	0
S-9721-5-5/32	Bushing	66	0	S-9790-4A-17	Tube Assembly	2	0
S-9721-5-3/16	Bushing	2	0	S-9790-4A-17½	Tube Assembly	2	0
S-9721-5-15/32	Bushing	12	0	S-9790-4A-22	Tube Assembly	1	0
S-9721-6-3/16	Bushing	2	0	S-9790-4B-23	Tube Assembly	1	0
S-9721-8-.625	Bushing	2	0	S-9790-4A-26	Tube Assembly	4	0
S-9721-9-3/16	Bushing	24	0	S-9790-4-27	Tube Assembly	3	0
S-9721-13-1/2	Bushing	12	0	S-9790-4A-30½	Tube Assembly	1	0
S-9722-1-7-1/2	Rod Assembly	1	0	S-9790-4A-31-3/8	Tube Assembly	2	0
S-9722-1-10	Rod Assembly	1	0	S-9790-4A-31- and 3/4	Tube Assembly	2	0
S-9722-1-18	Rod Assembly	1	0	S-9790-4A-33	Tube Assembly	2	0
S-9722-1-18-3/8	Rod Assembly	1	0	S-9790-4A-36	Tube Assembly	1	0
S-9722-1-21	Rod Assembly	1	0	S-9790-4A-37	Tube Assembly	1	0
S-9722-1-44- 5/16	Rod Assembly	1	0	S-9790-4A-40	Tube Assembly	1	0
S-9722-1-45-5/8	Rod Assembly	1	0	S-9790-4A-45	Tube Assembly	4	0
S-9722-1-45- 7/8	Rod Assembly	2	0	S-9790-4A-48	Tube Assembly	4	0
S-9723-1-16- 3/8	Rod Assembly	2	0	S-9790-4B-50	Tube Assembly	1	0
S-9723-1-16- 7/16	Rod Assembly	1	0	S-9790-4A-56	Tube Assembly	2	0
S-9724-T28	Clamp	3	0	S-9790-4A-61	Tube Assembly	4	0
S-9724-T28P	Clamp two bolt	5	0	S-9790-4A-64	Tube Assembly	1	0
S-9724-T30	Clamp two bolt	4	0	S-9790-6A-9	Tube Assembly	1	0
S-9746-4-3/16	Spacer	2	0	S-9790-6A-10	Tube Assembly	1	0
S-9746-4-5/16	Spacer	13	0	S-9790-8A-25- and 3/4	Tube Assembly	7	0
S-9746-4-5/8	Spacer	2	0	S-9790-10A-15	Tube Assembly	1	0
S-9746-4-25/32	Spacer	1	0	S-9793-4	Spring	1	0
S-9746-4-15/16	Spacer	2	0	S-9795-2	Clamp	2	0
S-9746-6-1/16	Spacer	2	0	S-9795-3	Clamp	2	0
S-9746-6-1/4	Spacer	13	0	S-9795-4	Clamp	35	0
S-9746-6-5/16	Spacer	2	0	S-9795-5	Clamp	12	0
S-9746-6-3/8	Spacer	2	0	S-9795-6	Clamp	32	0
S-9746-6-7/16	Spacer	2	0	S-9795-7	Clamp	4	0
S-9746-6-33/64	Spacer	2	0	S-9795-8	Clamp	12	0
S-9746-6-3/4	Spacer	12	0	S-9795-9	Clamp	4	0
S-9746-6-15/16	Spacer	30	0	S-9795-10	Clamp	2	0
S-9746-6-1	Spacer	6	0	S-9795-108	Clamp (Steel)	2	0
S-9746-4-1.015	Spacer	2	0	S-9795-11	Clamp	5	0
S-9746-6-1-1/4	Spacer	52	0	S-9795-12	Clamp	14	0
S-9746-6-1-3/4	Spacer	1	0	S-9795-14	Clamp	1	0
S-9746-6-2- 1/16	Spacer	1	0	S-9795-15	Clamp	2	0
S-9746-10-3- 5/16	Spacer	1	0	S-9795-16	Clamp	14	0
S-9752-3	Spacer	8	0	S-9795-18	Clamp	1	0
S-9752-7	Spacer	2	0	S-9795-20	Clamp	5	0
S-9760-10	Pad Oil Cooler	4	0	S-9795-24	Clamp	1	0
S-9787	Gang Nut Channel	16	0	S-9795-28	Clamp	2	0
				S-9795-30	Clamp	3	0
				S-9795-32	Clamp	1	0
				S-9796-2R	Bonding Clamp	1	0
				S-9796-3L	Bonding Clamp	3	0

RESTRICTED
AN 01-65BC-4

SECTION IV—STANDARD PARTS LIST

PART NUMBER	NOMENCLATURE	TOTAL QUANTITY	ATTACH-ING QUANTITY	PART NUMBER	NOMENCLATURE	TOTAL QUANTITY	ATTACH-ING QUANTITY
S-202	Instruction Plate	8	0	S-5202-3-.156	Bushing	1	0
S-210-3	Spare Fuse Clamp	4	0	S-5202-3-5/16	Bushing	1	0
S-214-3	Clip	2	0	S-5202-3.390	Bushing	4	0
S-245-6	Washer	2	2	S-5202-3-1	Bushing	2	0
S-245-8	Washer	1	1	S-5202-3-1-1/8	Bushing	1	0
S-245-12	Washer	1	1	S-5202-4-.182	Bushing	4	0
S-251-2	Rod Assembly	3	0	S-5202-4-3/16	Bushing	20	0
S-263-6	Bolt H.H.Close Tolerance	1	1	S-5202-4-7/32	Bushing	16	0
S-263-7	Bolt H.H.Close Tolerance	6	6	S-5202-4-3/8	Bushing	68	0
S-263-11	Bolt H.H.Close Tolerance	6	6	S-5202-4-.745	Bushing	4	0
S-264-15	Bolt H.H.Close Tolerance	4	4	S-5202-5-1/8	Bushing	2	0
S-264-27	Bolt H.H.Close Tolerance	3	3	S-5202-5-.245	Bushing	2	0
S-264-31	Bolt H.H.Close Tolerance	8	8	S-5202-6-3/16	Bushing	2	0
S-264-34	Bolt H.H.Close Tolerance	2	2	S-5202-7-.250	Bushing	6	0
S-265-14	Bolt H.H.Close Tolerance	23	23	S-5202-8-3/8	Bushing	4	0
S-265-17	Bolt H.H.Close Tolerance	3	3	S-5202-8-5/8	Bushing	2	0
S-265-30	Bolt H.H.Close Tolerance	1	1	S-8945	Screw	3	3
S-266-27	Bolt H.H.Close Tolerance	1	1	S-9075-4	Taper Pin	1	1
S-266-27A	Bolt H.H. Un. Close Tolerance Pin	4	4	S-9075-6	Taper Pin	2	2
S-303	Spacer	2	2	S-9081-3-11	Bolt	12	12
S-304-10-.032	Spacer	8	0	S-9081-5-10	Bolt	28	28
S-304-10-.064	Spacer	24	0	S-9081-5-12	Bolt	2	2
S-305-10-.032	Spacer	107	0	S-9085	Clip	78	0
S-305-8-10-.032	Spacer	7	0	S-9125-1	Washer	4	4
S-305-10-.064	Spacer	357	0	S-9125-2	Washer	2	2
S-305-8-10-.063	Spacer	4	0	S-9125-3	Washer	8	8
S-309-A13 (10-32x13/16)	Bolt Internal Wrenching St.	8	8	S-9151-2	Spacer	2	0
S-310-A14 (1/4-28x7/8")	Bolt Internal Wrenching St.	12	12	S-9151-14	Spacer	13	0
S-310-A16 (1/4-28 x 1")	Bolt Internal Wrenching St.	4	4	S-9207	Name Plate	18	0
S-317-3	Bead Chain	25	0	S-9224-3	Clamp	18	0
S-318	Bead Chain End	70	0	S-9226-1	Blank Bellcrank Lever	22	0
S-2180-6	Washer	33	33	S-9702-40-1/4	Pad	1	0
S-2180-14	Washer	2	2	S-9702-40-1/2	Pad	3	0
S-2180-D3	Washer	43	43	S-9702-42	Pad	1	0
S-2180-D4	Washer	11	11	S-9720-2-3/32	Spacer	4	0
S-2180-D5	Washer	5	5	S-9720-2-.276	Spacer	2	0
S-2180-D7	Washer	4	4	S-9720-3-1/8	Spacer	1	0
S-2180-D10	Washer	2	2	S-9720-3-13/64	Spacer	1	0
S-2803	Name Plate	1	0	S-9720-3-7/32	Bushing	2	0
S-2808-3/8	Clamp	2	0	S-9720-3-9/32	Bushing	2	0
S-2808-1-3/8	Clamp	2	0	S-9720-3-13/32	Bushing	1	0
S-2808-2-5/8	Clamp	1	0	S-9720-3-484	Bushing	8	0
S-5202-3-.094	Bushing	2	0	S-9720-3-1/2	Bushing	2	0
S-5202-3-.104	Bushing	2	0	S-9720-3-9/16	Bushing	8	0
S-5202-3-.125	Bushing	1	0	S-9720-3-11/16	Bushing	2	0
S-5202-3-.140	Bushing	2	0	S-9720-3-787	Bushing	2	0
				S-9720-3-1-5/8	Bushing	6	0
				S-9720-3-2.665	Bushing	2	0
				S-9720-4-3/8	Bushing	1	0
				S-9720-4-1/2	Bushing	3	0
				S-9720-4-.531	Bushing	8	0
				S-9720-4-19/32	Bushing	1	0
				S-9720-4-3/4	Bushing	1	0
				S-9720-4-13/16	Bushing	1	0
				S-9720-4-27/32	Spacer	1	0
				S-9720-4-2.495	Spacer	1	0
				S-9720-5-.415	Spacer	4	0
				S-9720-7-.906	Spacer	2	0
				S-9720-12-3/32	Spacer	1	0
				S-9720-12-5/16	Spacer	1	0
				S-9720-12-11/16	Spacer	1	0
				S-9721-1-1/16	Spacer	28	0
				S-9721-1-.091	Spacer	12	0

RESTRICTED
AN 01-65BC-4
SECTION IV—STANDARD PARTS LIST

PART NUMBER	NOMENCLATURE	TOTAL QUANTITY	ATTACHING QUANTITY	PART NUMBER	NOMENCLATURE	TOTAL QUANTITY	ATTACHING QUANTITY
S-9796-5L	Bonding Clamp	1	0	22-A5-02	Nut	44	44
S-9796-5R	Bonding Clamp	1	0	22-A5-048	Nut	64	64
S-9796-6L	Bonding Clamp	5	0	22-A5-064	Nut	2	3
S-9796-6R	Bonding Clamp	5	0	22-A5-62	Nut	16	16
S-9790-8B-10	Tube Assembly	1	0	22-A5-82	Nut	13	13
S-9796-7L	Bonding Clamp	2	0	22-A12-02	Nut	106	106
S-9796-7R	Bonding Clamp	4	0	22-A12-62	Nut	42	42
S-9796-8L	Bonding Clamp	7	0	22-A12-82	Nut	64	64
S-9796-8R	Bonding Clamp	4	0	22-A14-02	Nut	4	4
S-9796-10L	Clamp	6	0	22-A14-62	Nut	4	4
6K-45	Rivnut	23	23	22-A14-82	Nut	5	5
6-45	Rivnut	10	10	22-A17-02	Nut	223	223
6-75	Rivnut	296	296	22-A17-048	Nut	50	50
6-91	Rivnut	96	96	22-A17-62	Nut	14	14
6-100	Rivnut	368	368	22-A17-82	Nut	91	91
6KB-100	Rivnut	10	10	22-A21-02	Nut	6	6
6-107	Rivnut	42	42	22-A21-048	Nut	2	2
6-120	Rivnut	22	22	22-A21-62	Nut	4	4
6-137	Rivnut	66	66	22-A21-82	Nut	32	32
6-140	Rivnut	42	42	22-A27-02	Nut	4	4
6-160	Rivnut	22	22	22-A27-82	Nut	1	1
6-162	Rivnut	12	12	22-C2-02	Nut	4	4
6-180	Rivnut	4	4	22-C4-02	Nut	2	2
6-182	Rivnut	10	10	22-D12-02	Nut	24	24
8K-45	Rivnut	3	3	22-G1-02-5	Nut	11	11
8K-75	Rivnut	40	40	22-G1-02-7	Nut	2	2
8K-107	Rivnut	2	2	22-G1-02-16	Nut	11	11
10K-45	Rivnut	57	57	22-G1-82-5	Nut	6	6
10-181	Rivnut	12	12	22-G1-82-8	Nut	6	6
10-200	Rivnut	10	10	22-TM-82	Nut	6	6
11-1039-1-3	Lock Nut	2	2	42-D10-048	Nut	4	4
11-1039-1-3D	Lock Nut	12	12	42-D14-064	Nut	4	4
11-1039-1-4D	Lock Nut	6	6	42-D36-080	Nut	1	1
11-1039-1-10D	Lock Nut	2	2	42-E-126	Nut	2	2
11-1039-1-14D	Lock Nut	1	1	42-E-144	Nut	4	4
22-A1-054	Nut	4	4	42-E-164	Nut	2	2
22-A1-064	Nut	4	4	68-A7-62	Nut	3	3
22-A1-070	Nut	2	2	68-A7-82	Nut	5	5
22-A3-02	Nut	27	27	68-G1-02-6	Nut	26	26
22-A3-82	Nut	8	8				

SECTION V

SERVICE TOOLS

Section V - Service Tools

FIG NO	INDEX NO.	PART NO.	NOMENCLATURE	
184	1	3627P-1	Spanner Wrench (J.H. Williams Co.) (Part No. 454-1)	1
184	2	3627P-2	Spanner Wrench (J.H. Williams Co.) (Part No. 456-1)	1
184	3	3627P-3	Spanner Wrench (J.H. Williams Co.) (Part No. 458-1)	1
184	4	3627P-4	Spanner Wrench (P-47B to P-47D-10-RE) (Part No. 461-1)	1
184	5	3627P-5	Spanner Wrench (J.H. Williams Co.) (Part No. 466-1)	1
184	6	3627P-6	Spanner Wrench (P-47J) - (J.H. Williams Co.) (Part No. 464-1)	1
184	7	EQ739	Wrench - Main Landing Gear Oleo Tail Wheel (Cleveland Pneumatic Tool Co.)	1
184	8	EQ727	Wrench Transfer Landing Oleo (Cleveland Pneumatic Tool Co.)	1
184	9	89P62104	Crank Handle Extension	1
184	10	EQ728	Wrench Oleo Upper End Landing Gear (Cleveland Pneumatic Tool Co.)	1
184	11	3622-P	Retainer Wrench (J.H. Williams Co.)	1
184	12	O.S.4471	Main Oleo Transfer Valve Wrench (Schrader Tool Co.)	1
184	13	SK-13605	Test Transfer Valve - Landing Gear Oleo Strut	1

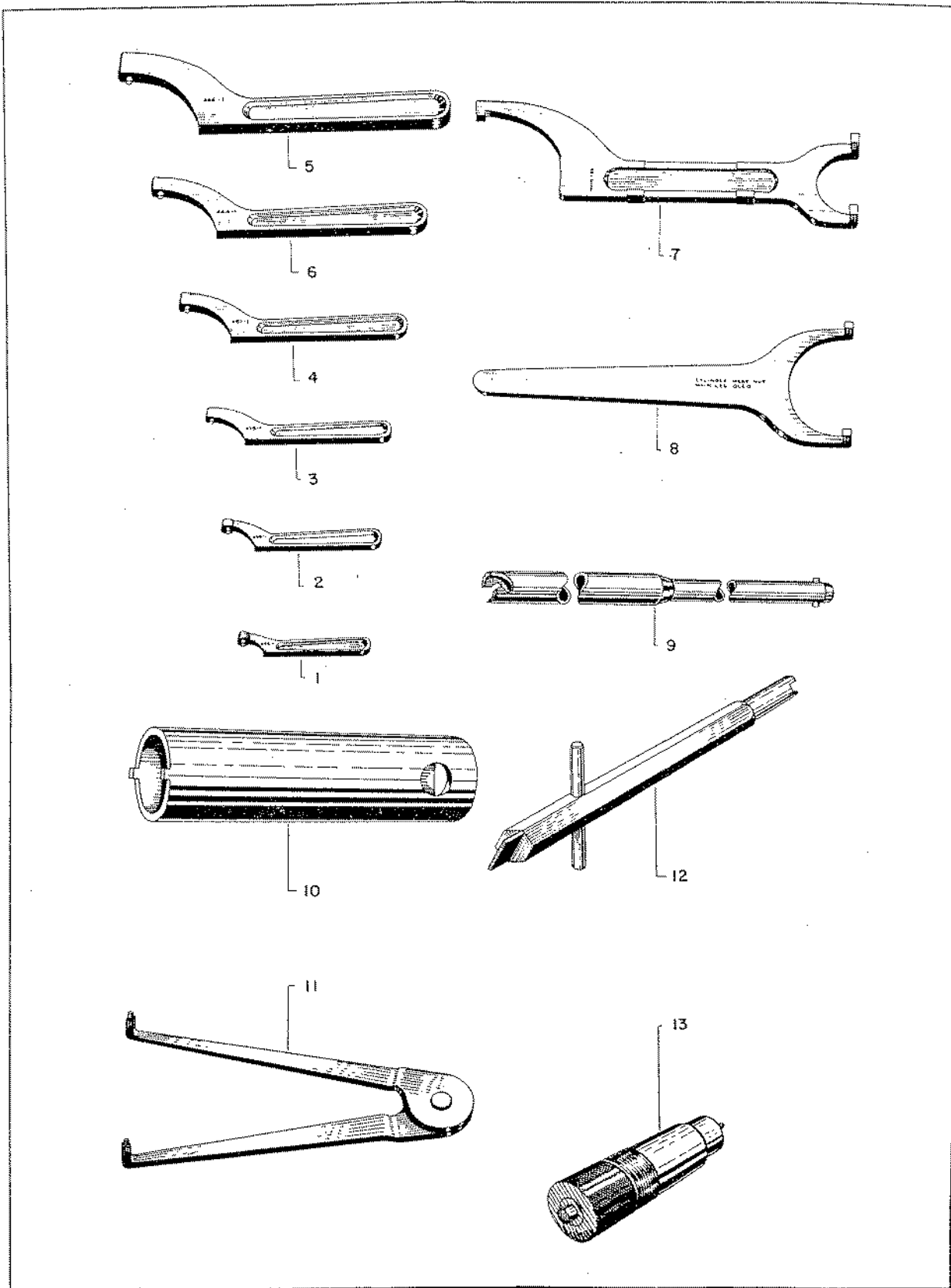


Figure 184—Service Tools

ADDITIONAL COPIES of this publication may be secured on requisition, AAF Form 102, as prescribed in AAF Regulations 15-102. Submit requisition to: Commanding General, Air Service Command, Patterson Field, Fairfield, Ohio. Also, see T. O. No. 00-25-3 for details on distribution of Technical Orders. (Requests from Naval activities shall be submitted to: Chief of the Bureau of Aeronautics, Navy Department, Washington, D. C.)